



US00D887227S

(12) **United States Design Patent**
Joseph

(10) **Patent No.:** **US D887,227 S**
(45) **Date of Patent:** **** Jun. 16, 2020**

(54) **KNIFE STORAGE DEVICE**

(71) Applicant: **JOSEPH JOSEPH, LTD.**, London
(GB)

(72) Inventor: **Antony Joseph**, London (GB)

(73) Assignee: **Joseph Joseph Ltd.**, London (GB)

(**) Term: **15 Years**

(21) Appl. No.: **29/631,438**

(22) Filed: **Dec. 29, 2017**

(30) **Foreign Application Priority Data**

Jun. 30, 2017 (EM) 004077006

(51) **LOC (12) Cl.** **07-99**

(52) **U.S. Cl.**
USPC **D7/637**

(58) **Field of Classification Search**
USPC D7/631, 637-641, 550.1; 30/298.4,
30/296.1; 206/372, 373, 553; 211/70.7;
248/37.3, 111; D9/420-426, 432;
D19/77, 81-86

CPC A47B 88/20; A47F 7/00; A47G 21/00;
A47G 21/14; B26B 3/00

See application file for complete search history.

(56) **References Cited**

U.S. PATENT DOCUMENTS

D135,186 S * 3/1943 Miller 206/564
D149,540 S * 5/1948 Case et al. 206/558

D172,584 S * 7/1954 Dew D7/637
D371,727 S * 7/1996 Gebhardt D7/637
D411,718 S * 6/1999 Davis D7/637
5,988,382 A * 11/1999 Ritchie B25H 3/04
206/372
6,230,888 B1 * 5/2001 Frieze A61B 50/22
206/370
6,659,406 B2 * 12/2003 Tsuchida A47G 21/14
211/70.7

* cited by examiner

Primary Examiner — Janice Patyk

(74) *Attorney, Agent, or Firm* — Millen, White, Zelano &
Branigan, PC

(57) **CLAIM**

The ornamental design for a knife storage device, as shown
and described.

DESCRIPTION

FIG. 1 is a top perspective view of a knife storage device
showing my new design.

FIG. 2 is a front view thereof.

FIG. 3 is a rear view thereof.

FIG. 4 is a top view thereof.

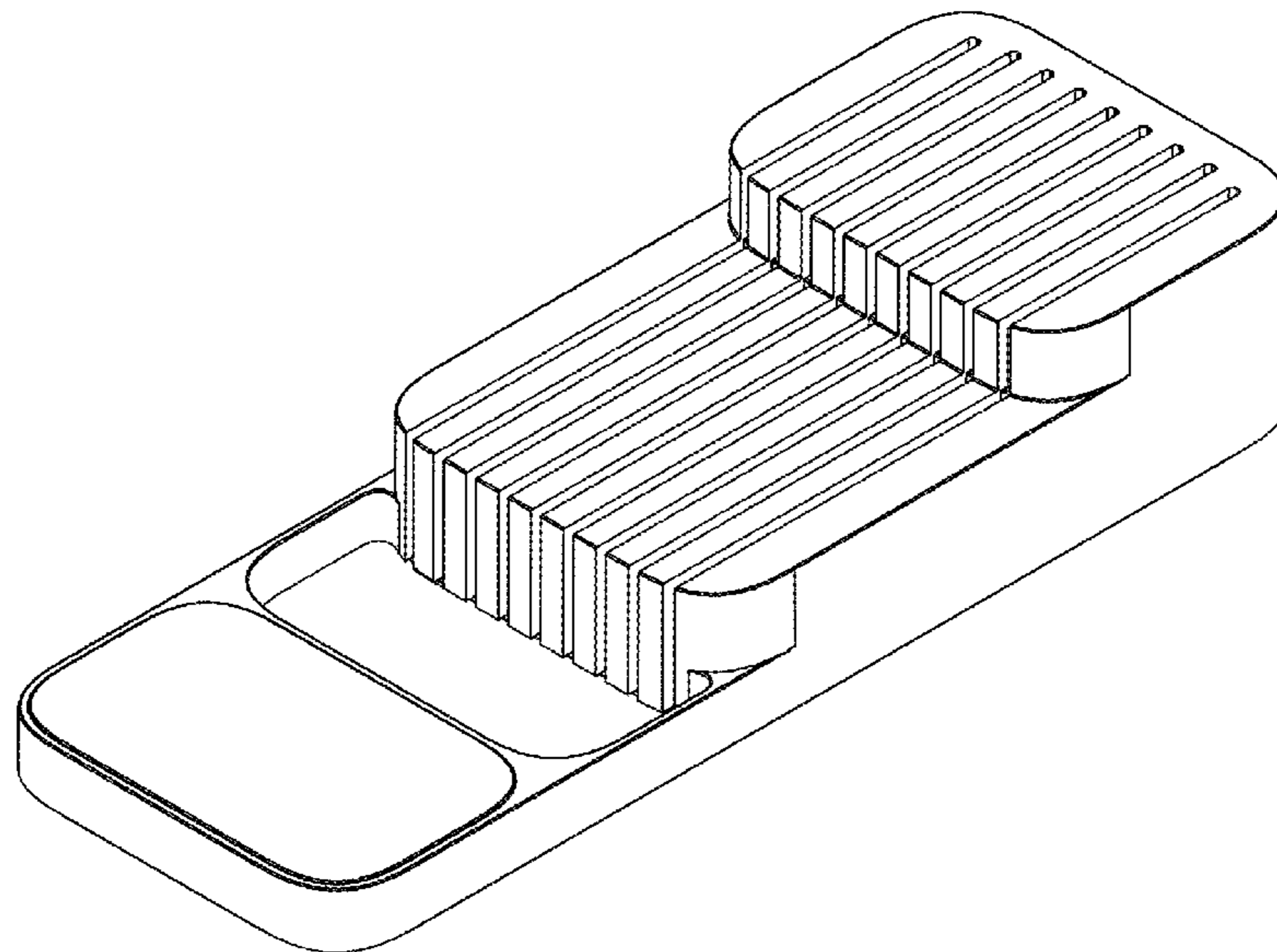
FIG. 5 is a bottom view thereof.

FIG. 6 is a side view thereof; and,

FIG. 7 is an opposite side view thereof.

The broken lines in the figures illustrate the portions of the
design that form no part of the claimed design.

1 Claim, 7 Drawing Sheets



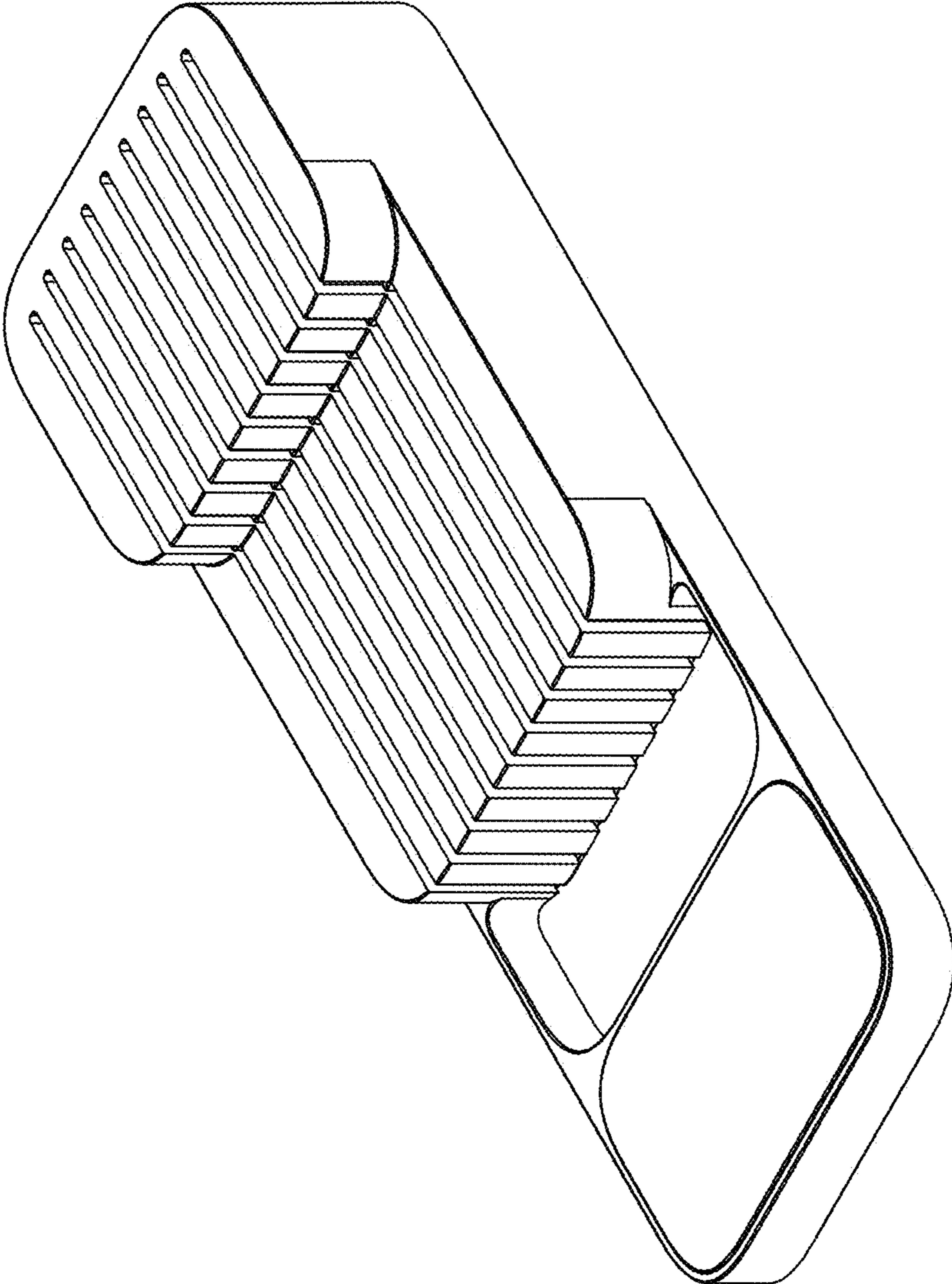


FIG. 1

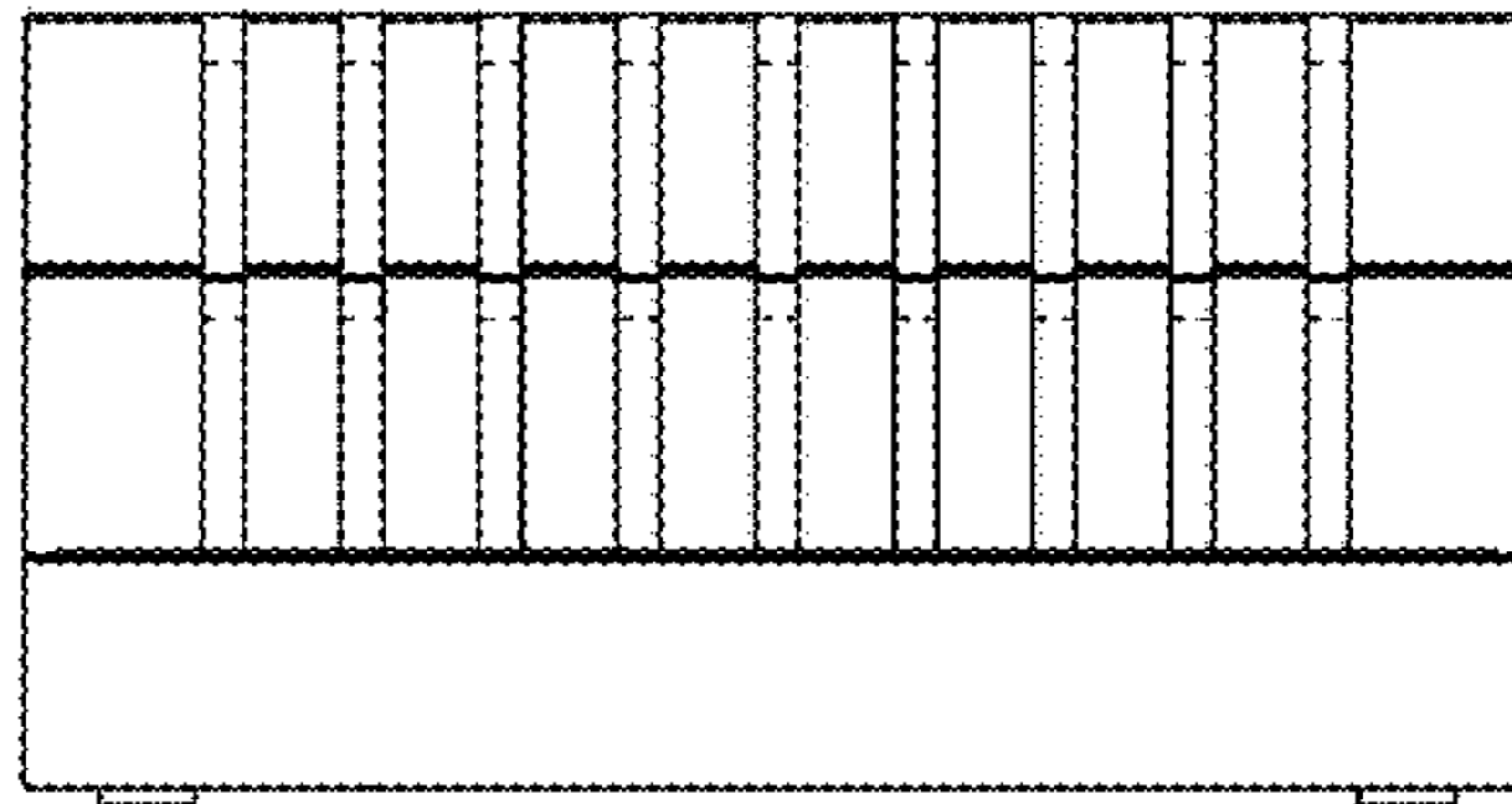


FIG. 2

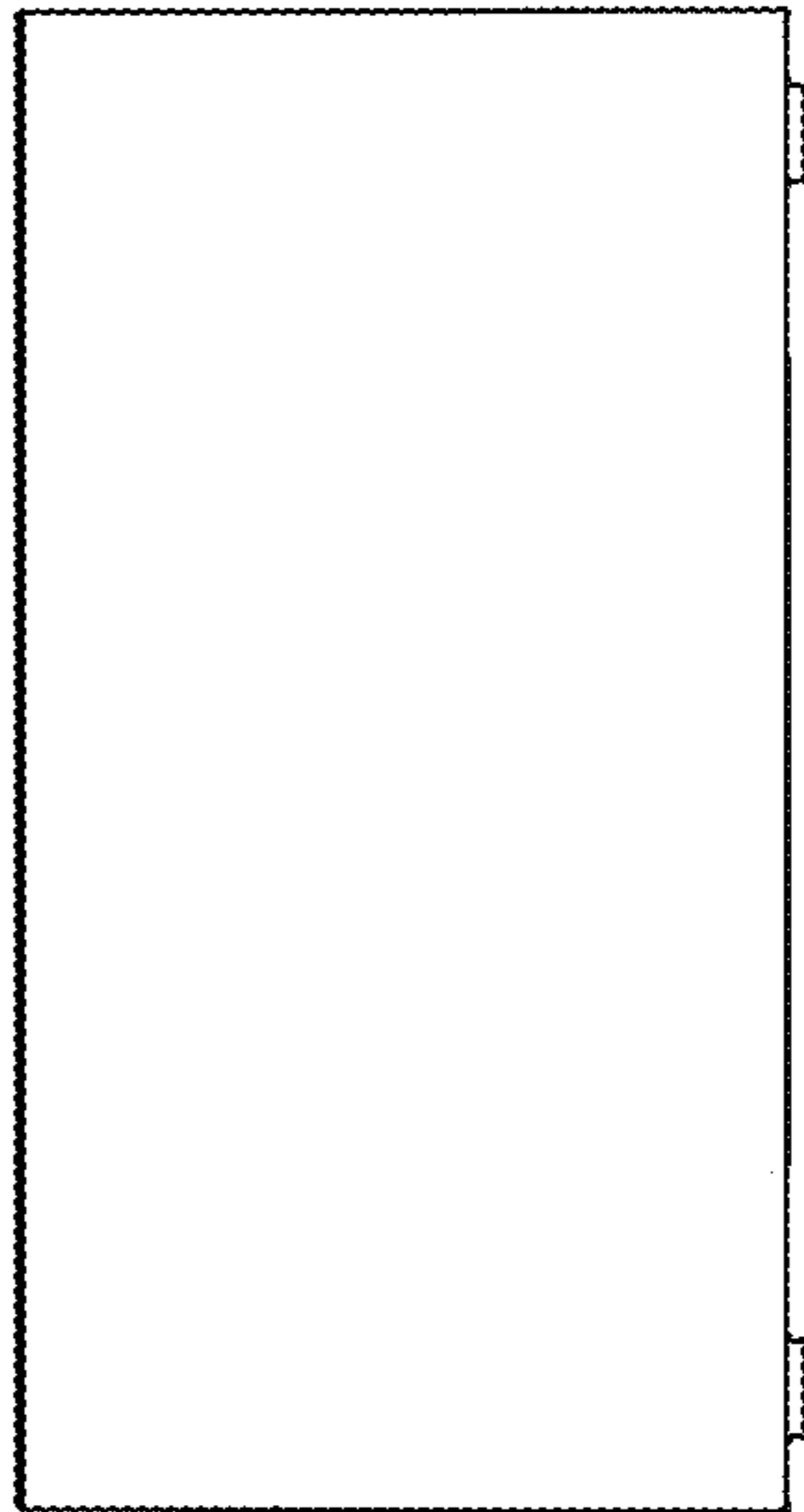


FIG. 3

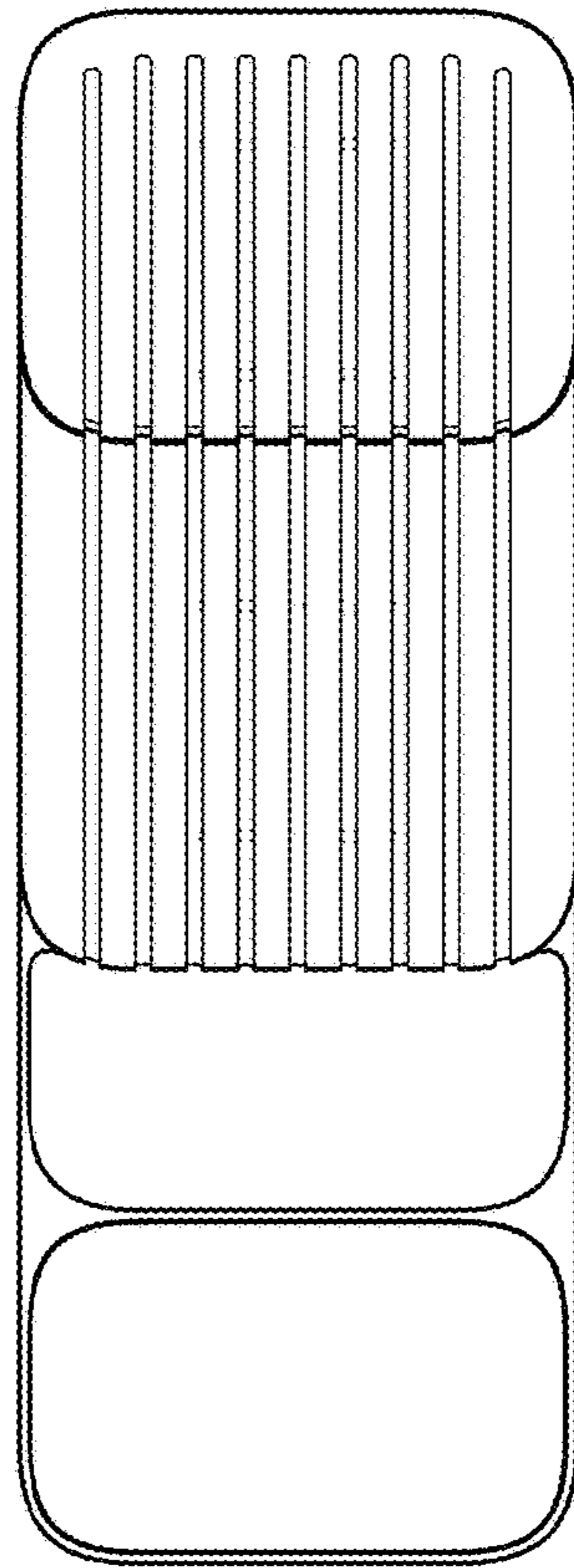


FIG. 4

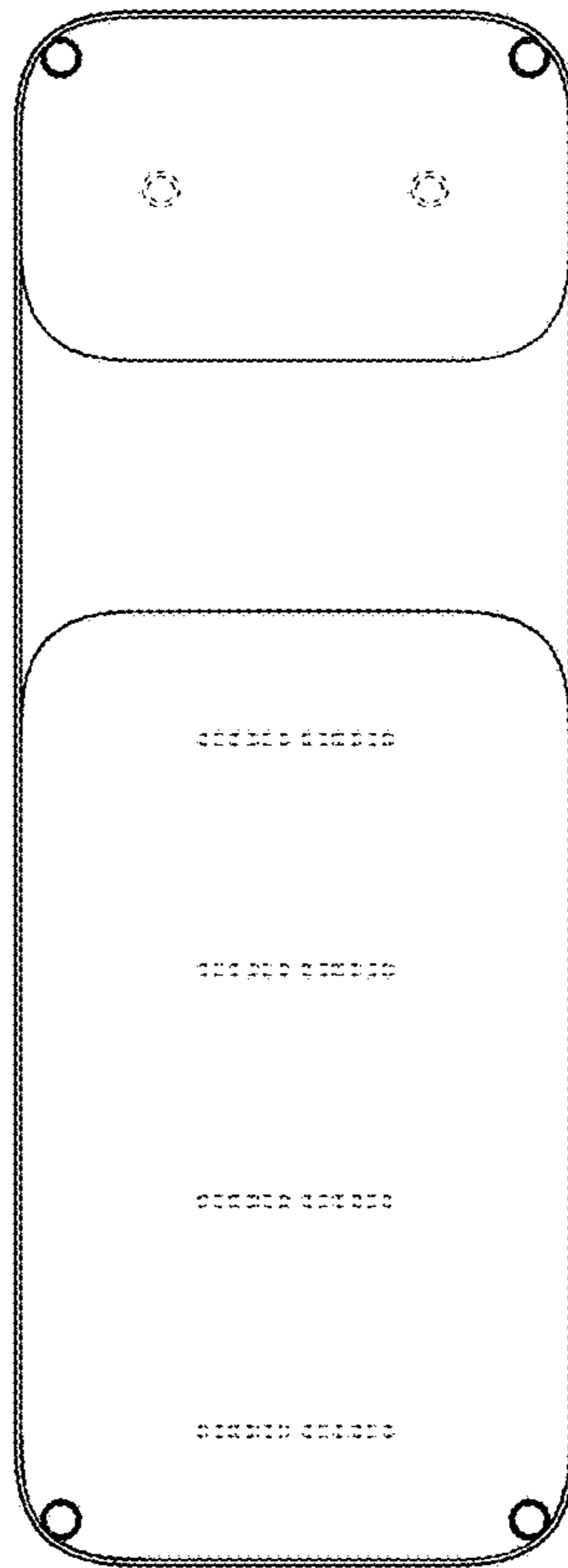


FIG. 5

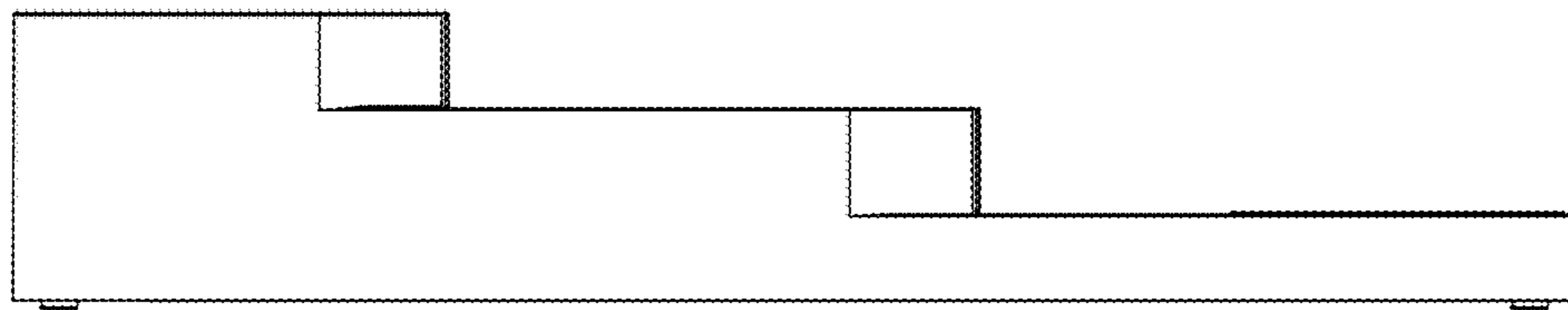


FIG. 6

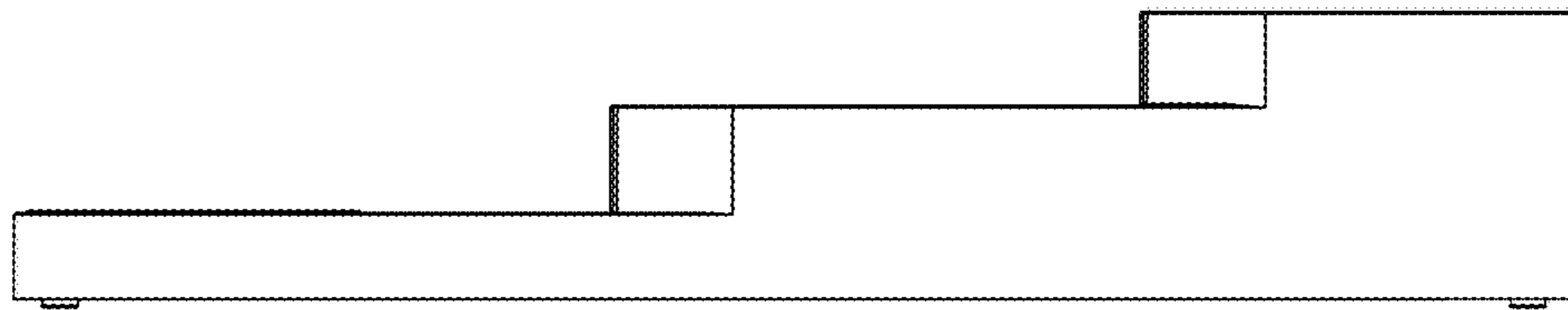


FIG. 7