



US00D887223S

(12) **United States Design Patent** (10) **Patent No.:** **US D887,223 S**  
**Gee, II** (45) **Date of Patent:** **\*\* Jun. 16, 2020**

(54) **TIERED BASKET**  
(71) Applicant: **Spectrum Diversified Designs, LLC**,  
Streetsboro, OH (US)  
(72) Inventor: **Jack W. Gee, II**, Willoughby, OH (US)  
(73) Assignee: **Spectrum Diversified Designs, LLC**,  
Streetsboro, OH (US)  
(\*\*) Term: **15 Years**  
(21) Appl. No.: **29/682,668**  
(22) Filed: **Mar. 7, 2019**  
(51) **LOC (12) Cl.** ..... **07-07**  
(52) **U.S. Cl.**  
USPC ..... **D7/601**  
(58) **Field of Classification Search**  
USPC ..... D7/601, 602, 504  
CPC ..... A47G 19/02; A47G 19/025; B65D 1/24;  
B65D 1/36; A45C 11/20  
See application file for complete search history.

D748,437 S \* 2/2016 Goodman ..... D7/584  
D767,343 S \* 9/2016 Tsai ..... D7/601  
D776,984 S \* 1/2017 Goodman ..... D7/601  
D777,525 S \* 1/2017 Hsu ..... D7/602  
D784,088 S \* 4/2017 Goodman ..... D7/601  
D784,771 S \* 4/2017 Goodman ..... D23/261  
D786,016 S \* 5/2017 Goodman ..... D7/500  
D788,541 S \* 6/2017 Goodman ..... D7/601  
D794,395 S \* 8/2017 Goodman ..... D7/601  
D794,396 S \* 8/2017 Goodman ..... D7/601  
D816,419 S \* 5/2018 Goodman ..... D7/601  
D818,322 S \* 5/2018 Goodman ..... D7/601  
D818,777 S \* 5/2018 Goodman ..... D7/601  
D857,429 S \* 8/2019 Kuehnast ..... D6/681.1  
D859,933 S \* 9/2019 Tuang ..... D7/601  
D865,456 S \* 11/2019 Dittrich ..... D7/602

\* cited by examiner

*Primary Examiner* — Cynthia R Underwood  
(74) *Attorney, Agent, or Firm* — Tucker Ellis LLP

(57) **CLAIM**

The ornamental design for a tiered basket, as shown and described.

**DESCRIPTION**

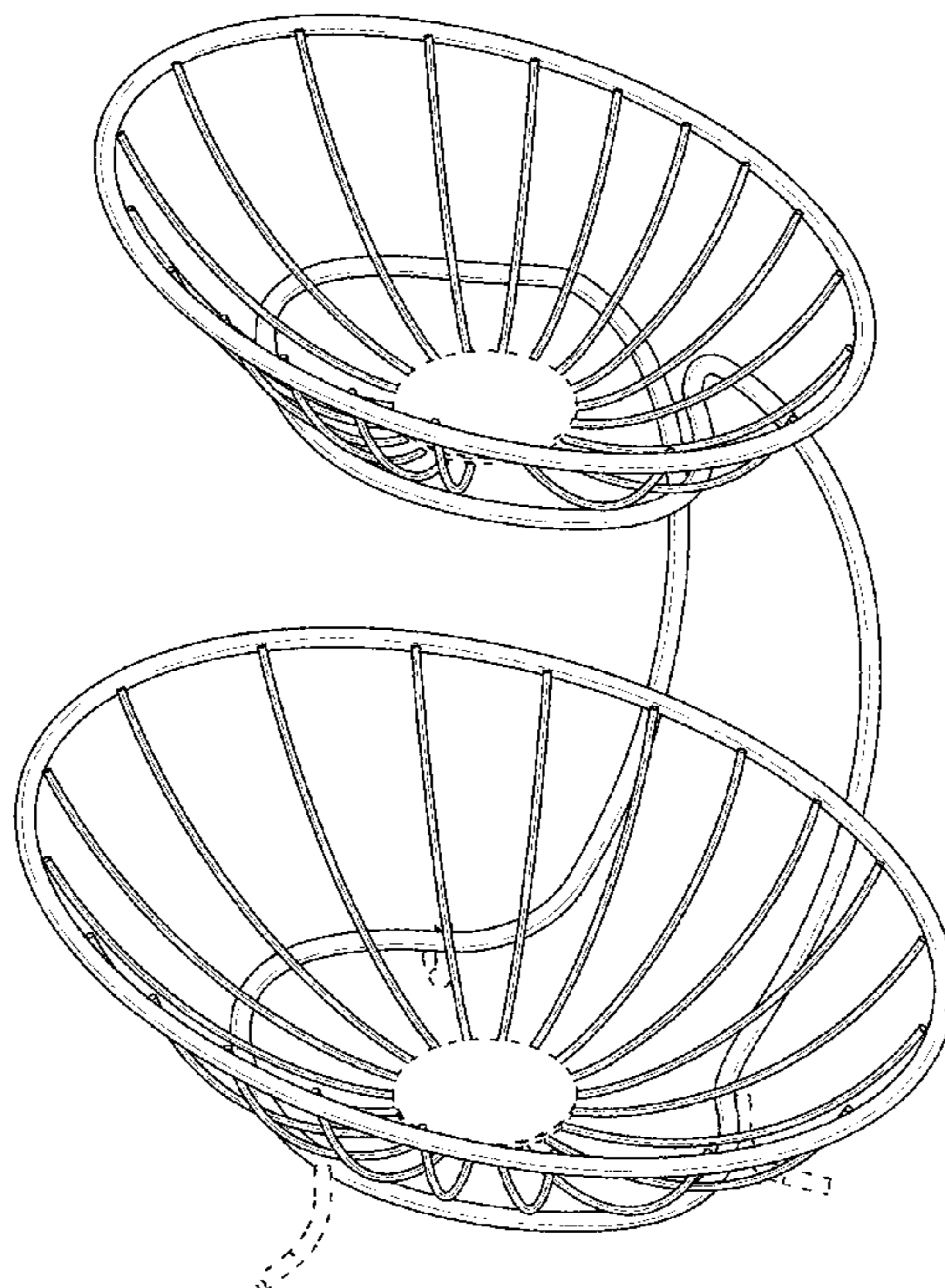
FIG. 1 is a perspective view of a tiered basket showing my new design.  
FIG. 2 is a front view thereof.  
FIG. 3 is a rear view thereof.  
FIG. 4 is a right side view thereof.  
FIG. 5 is a left side view thereof.  
FIG. 6 is a top view thereof; and,  
FIG. 7 is a bottom view thereof.  
The broken lines show portions of the design that form no part of the claimed design.

**1 Claim, 4 Drawing Sheets**

(56) **References Cited**

**U.S. PATENT DOCUMENTS**

D361,472 S \* 8/1995 Heilicher ..... D7/505  
D369,482 S \* 5/1996 McArdle ..... D7/601  
D408,229 S \* 4/1999 Hong ..... D7/601  
D468,163 S \* 1/2003 Blake ..... D7/601  
D475,898 S \* 6/2003 Kaposi ..... D7/638  
D543,793 S \* 6/2007 Lion ..... D7/601  
D565,907 S \* 4/2008 de Groote ..... D7/584  
D631,697 S \* 2/2011 Kushner ..... D7/505  
D671,371 S \* 11/2012 Goodman ..... D7/601  
D697,374 S \* 1/2014 Goodman ..... D7/601  
D698,204 S \* 1/2014 Goodman ..... D7/601  
D698,205 S \* 1/2014 Goodman ..... D7/601



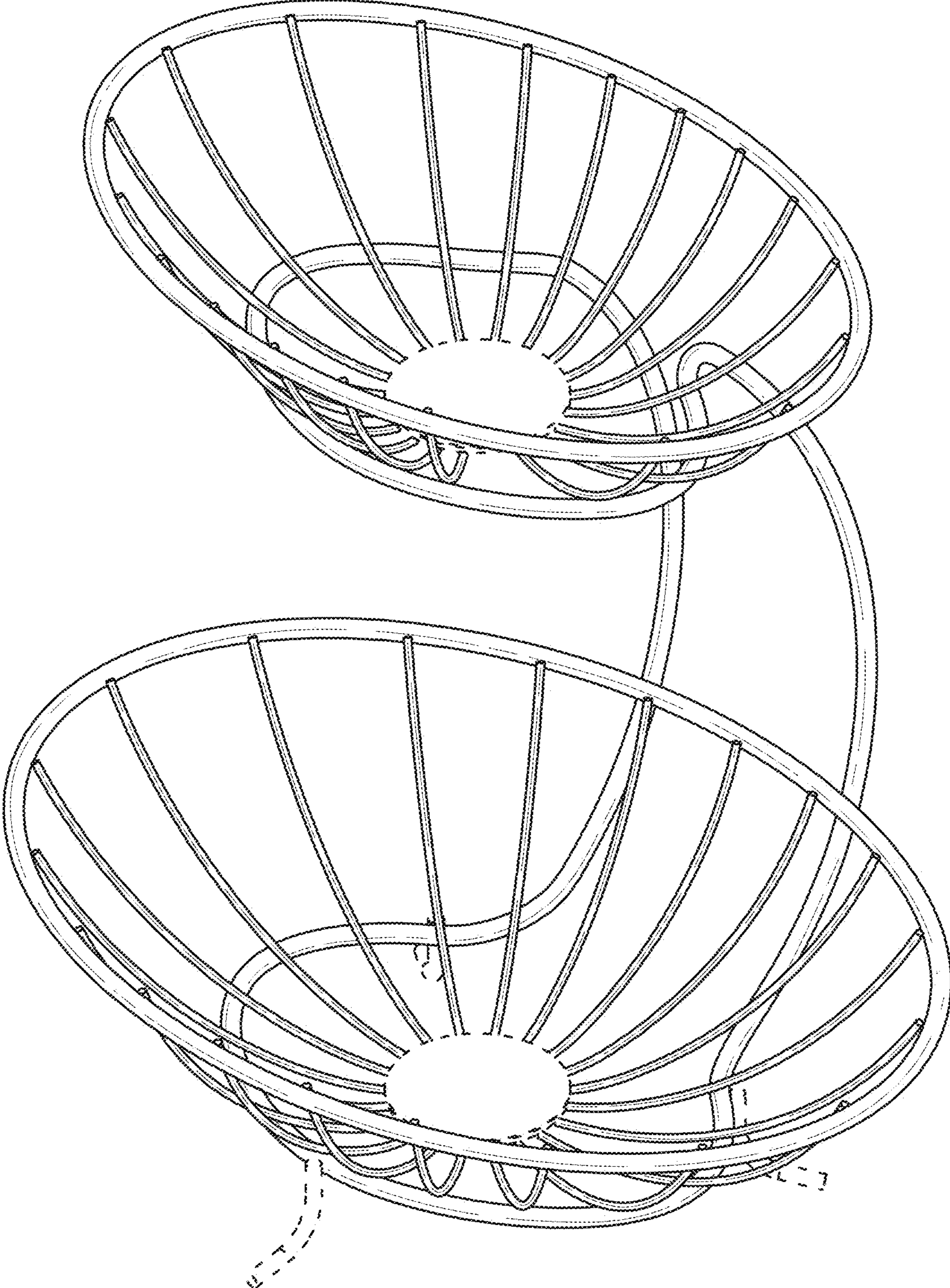


FIG. 1



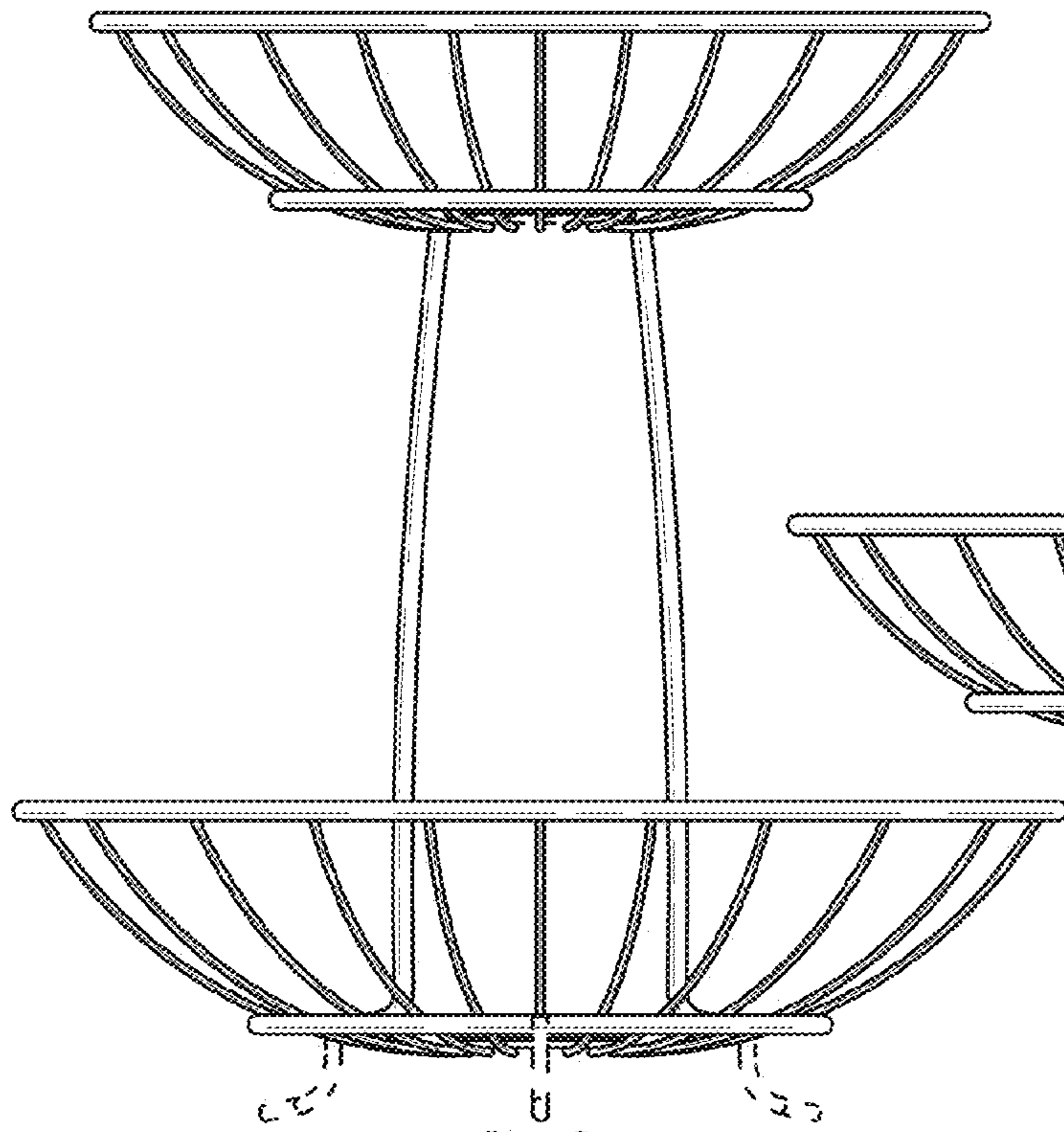


FIG. 2

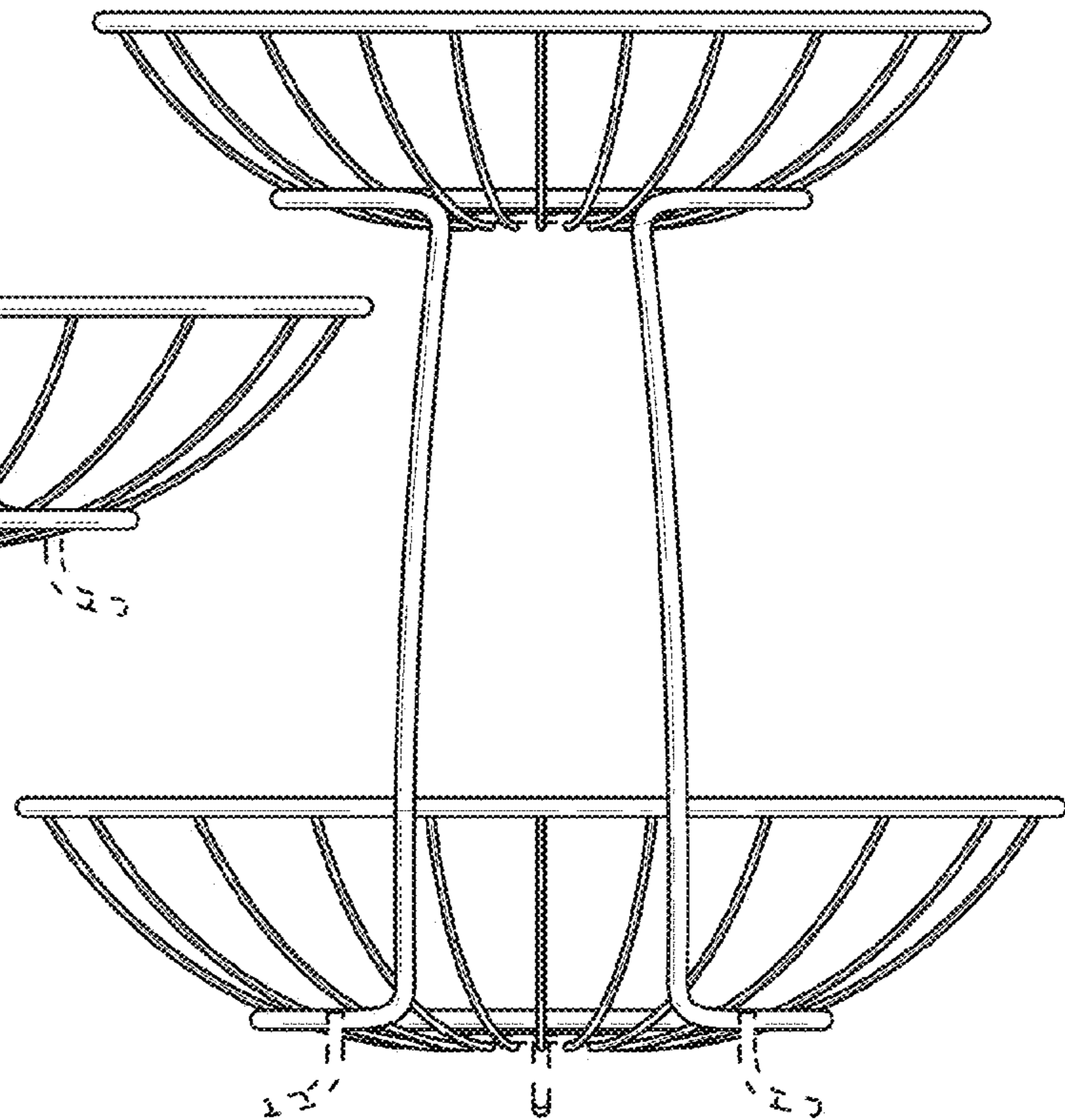
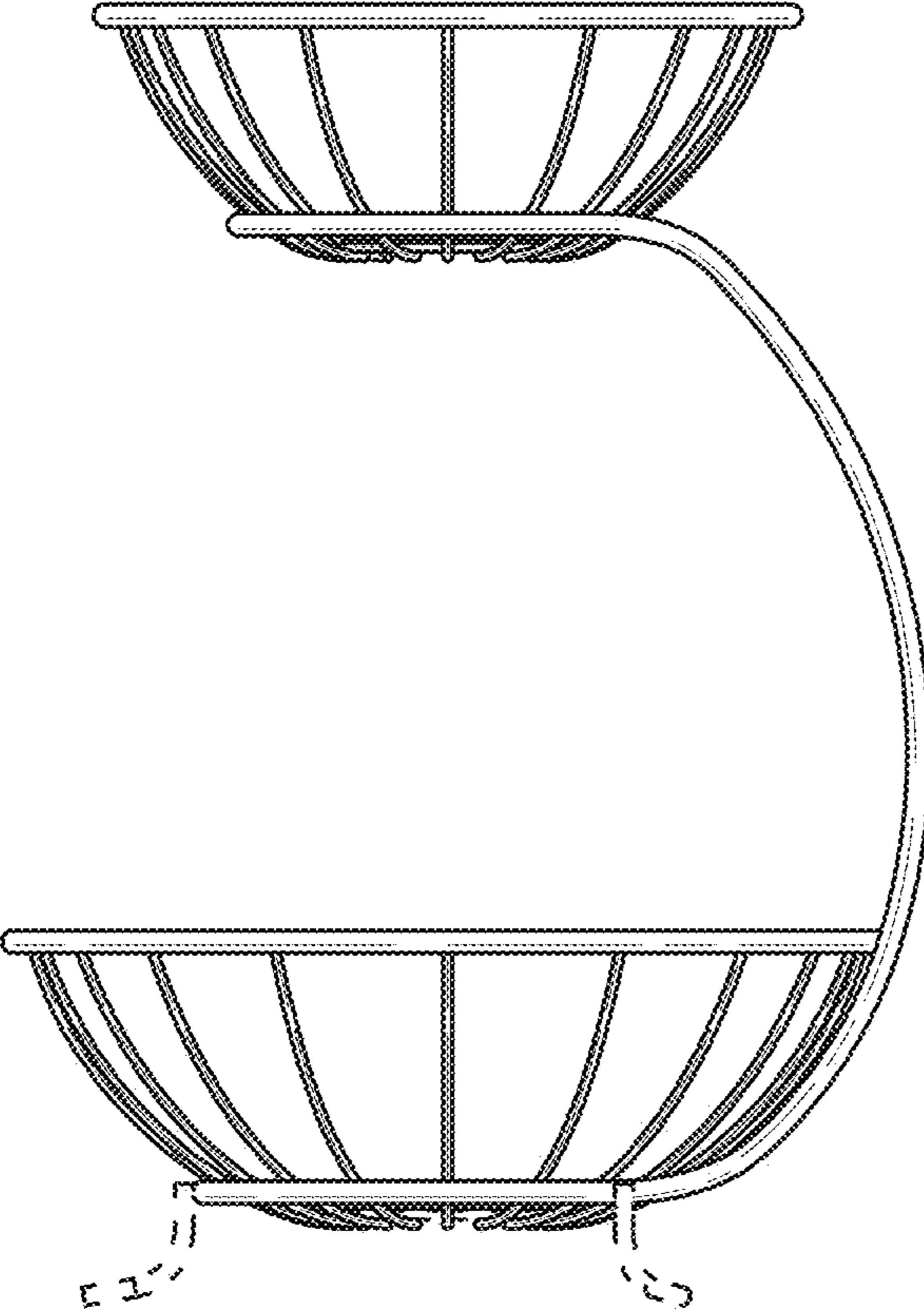
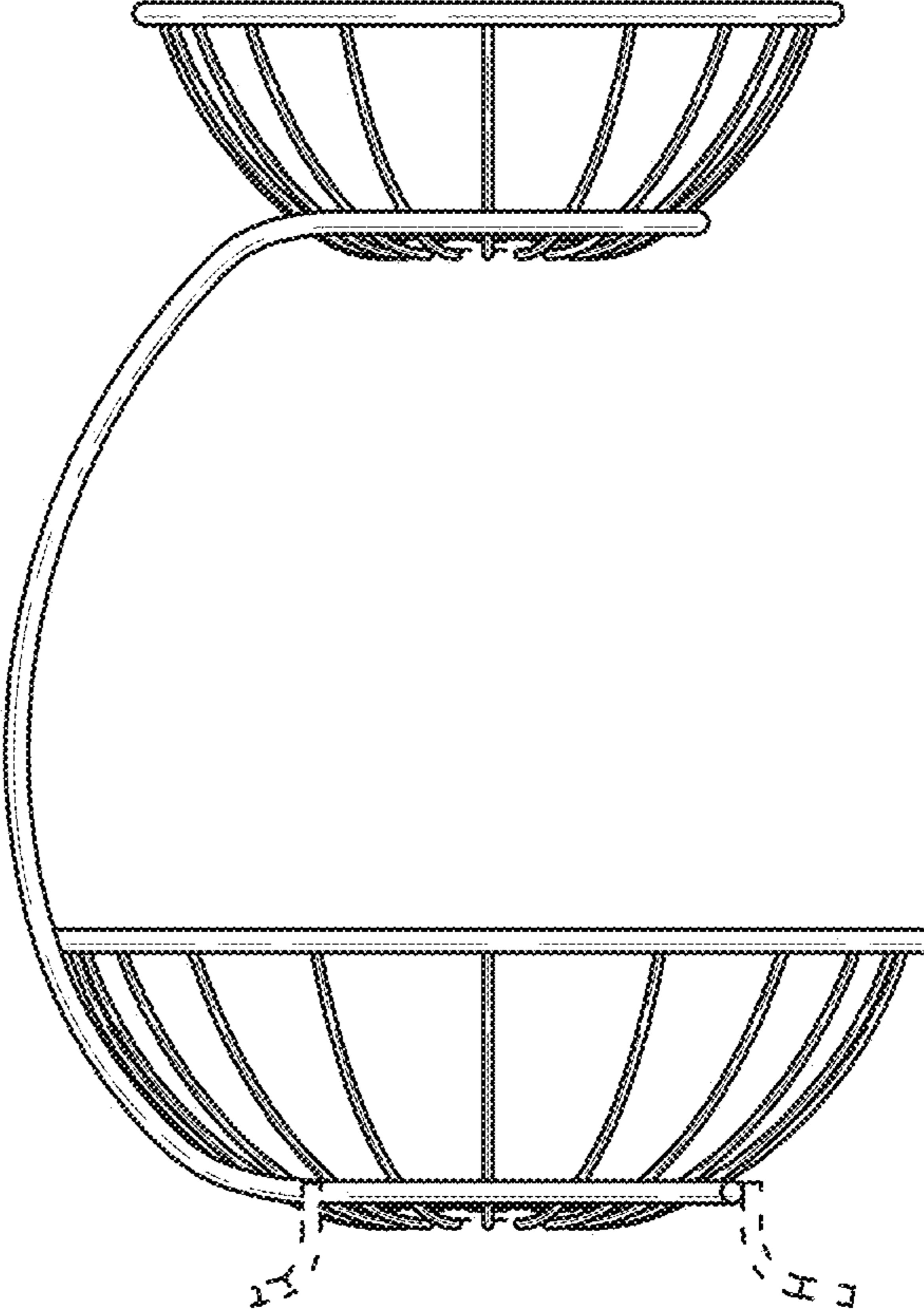


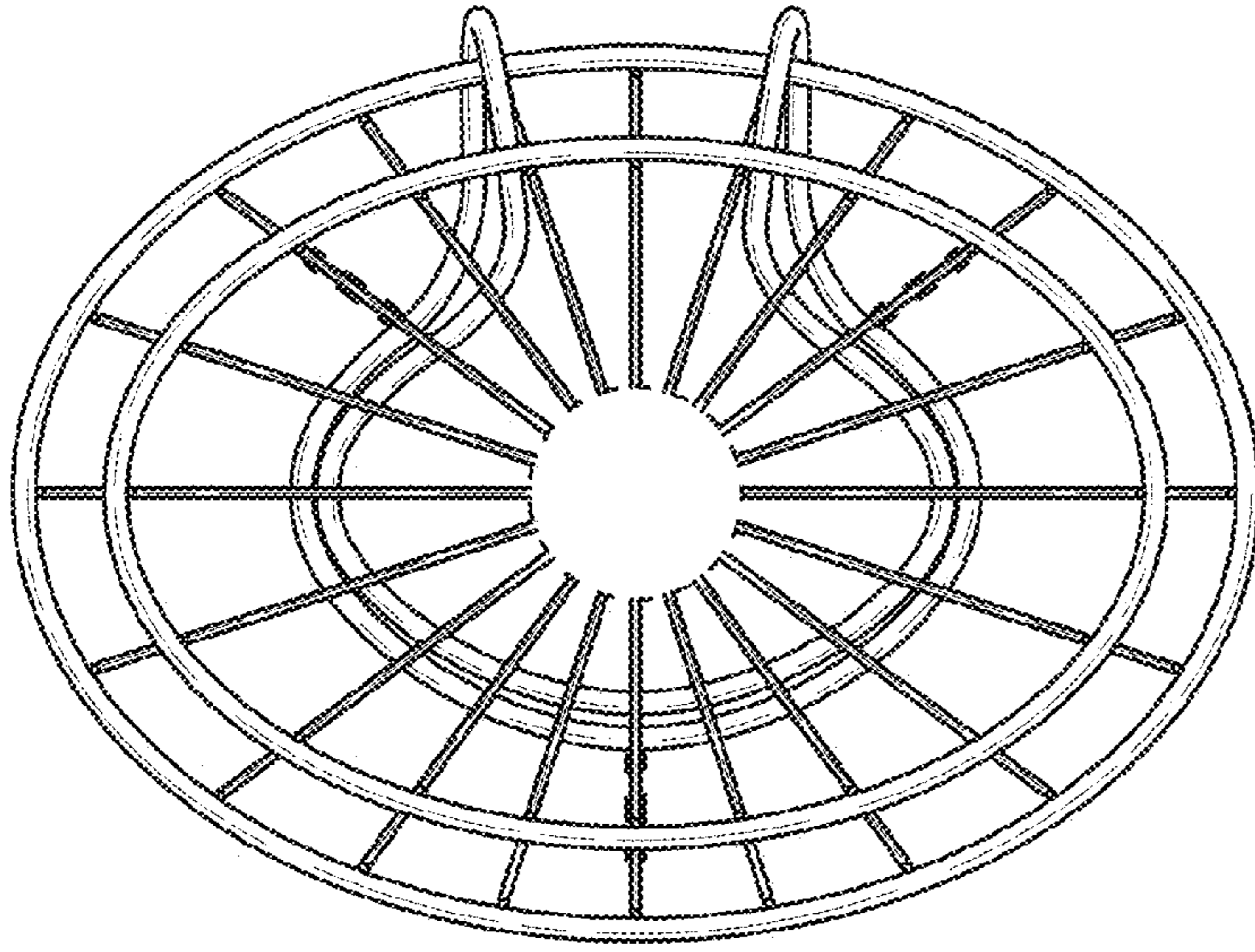
FIG. 3



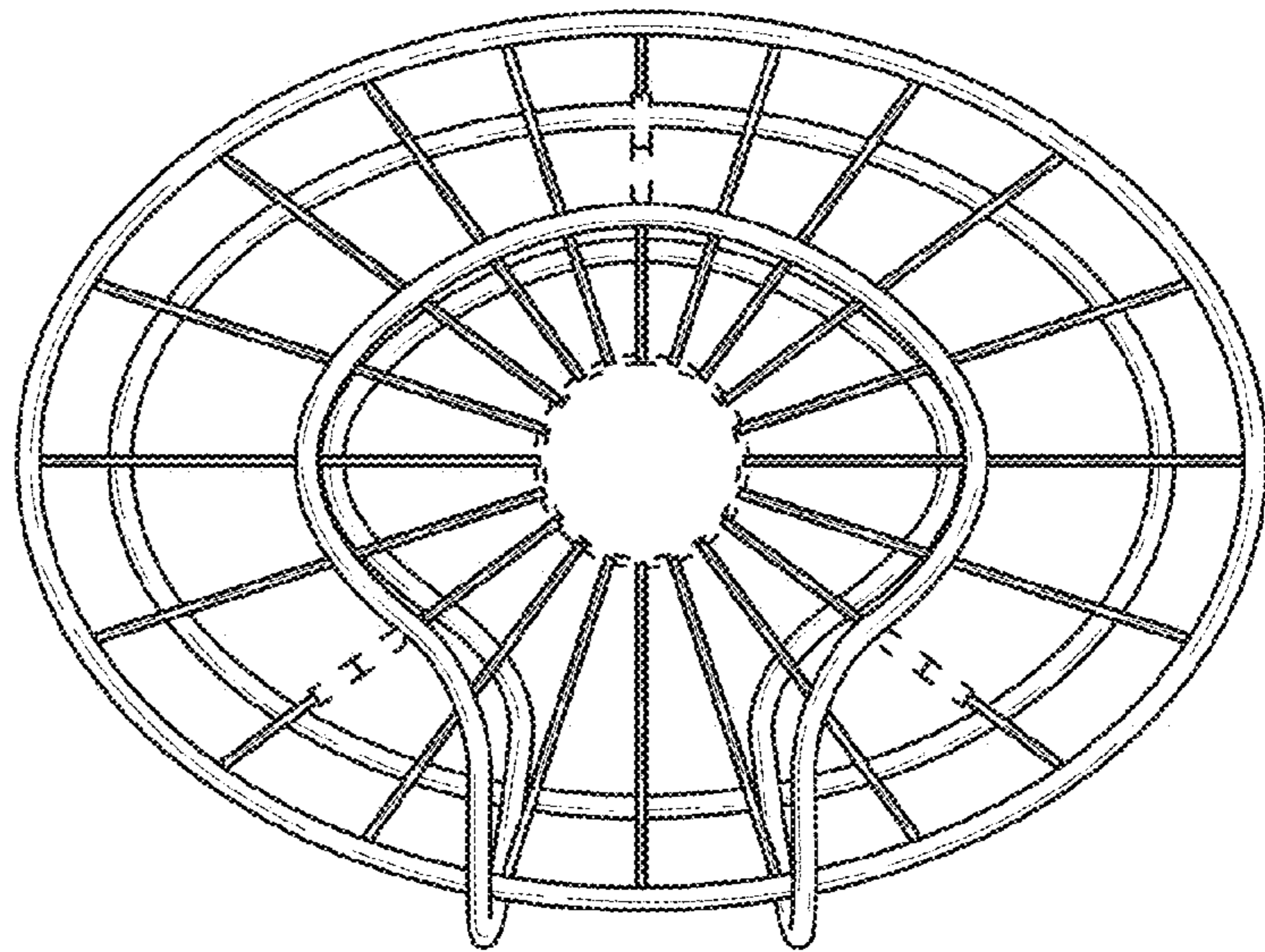
**FIG. 4**



**FIG. 5**



**FIG. 6**



**FIG. 7**