



US00D887222S

(12) **United States Design Patent**
Gee, II

(10) **Patent No.:** **US D887,222 S**
(45) **Date of Patent:** **** Jun. 16, 2020**

- (54) **BOWL WITH TREE**
- (71) Applicant: **Spectrum Diversified Designs, LLC**,
Streetsboro, OH (US)
- (72) Inventor: **Jack W. Gee, II**, Willoughby, OH (US)
- (73) Assignee: **Spectrum Diversified Designs, LLC**,
Streetsboro, OH (US)
- (**) Term: **15 Years**
- (21) Appl. No.: **29/682,666**
- (22) Filed: **Mar. 7, 2019**
- (51) **LOC (12) Cl.** **07-07**
- (52) **U.S. Cl.**
USPC **D7/601**
- (58) **Field of Classification Search**
USPC D7/601, 602, 504
CPC A47G 19/02; A47G 19/025; B65D 1/24;
B65D 1/36; A45C 11/20
See application file for complete search history.

D671,371 S *	11/2012	Goodman	D7/601
D697,374 S *	1/2014	Goodman	D7/601
D698,204 S *	1/2014	Goodman	D7/601
D767,343 S *	9/2016	Tsai	D7/601
D777,525 S *	1/2017	Hsu	D7/602
D788,541 S *	6/2017	Goodman	D7/601
D794,395 S *	8/2017	Goodman	D7/601
D816,419 S *	5/2018	Goodman	D7/601
D818,322 S *	5/2018	Goodman	D7/601
D818,777 S *	5/2018	Goodman	D7/601
D857,429 S *	8/2019	Kuehnast	D6/681.1
D859,933 S *	9/2019	Tuang	D7/601
D865,456 S *	11/2019	Dittrich	D7/602

* cited by examiner

Primary Examiner — Cynthia R Underwood
(74) *Attorney, Agent, or Firm* — Tucker Ellis LLP

(57) **CLAIM**

The ornamental design for a bowl with tree, as shown and described.

DESCRIPTION

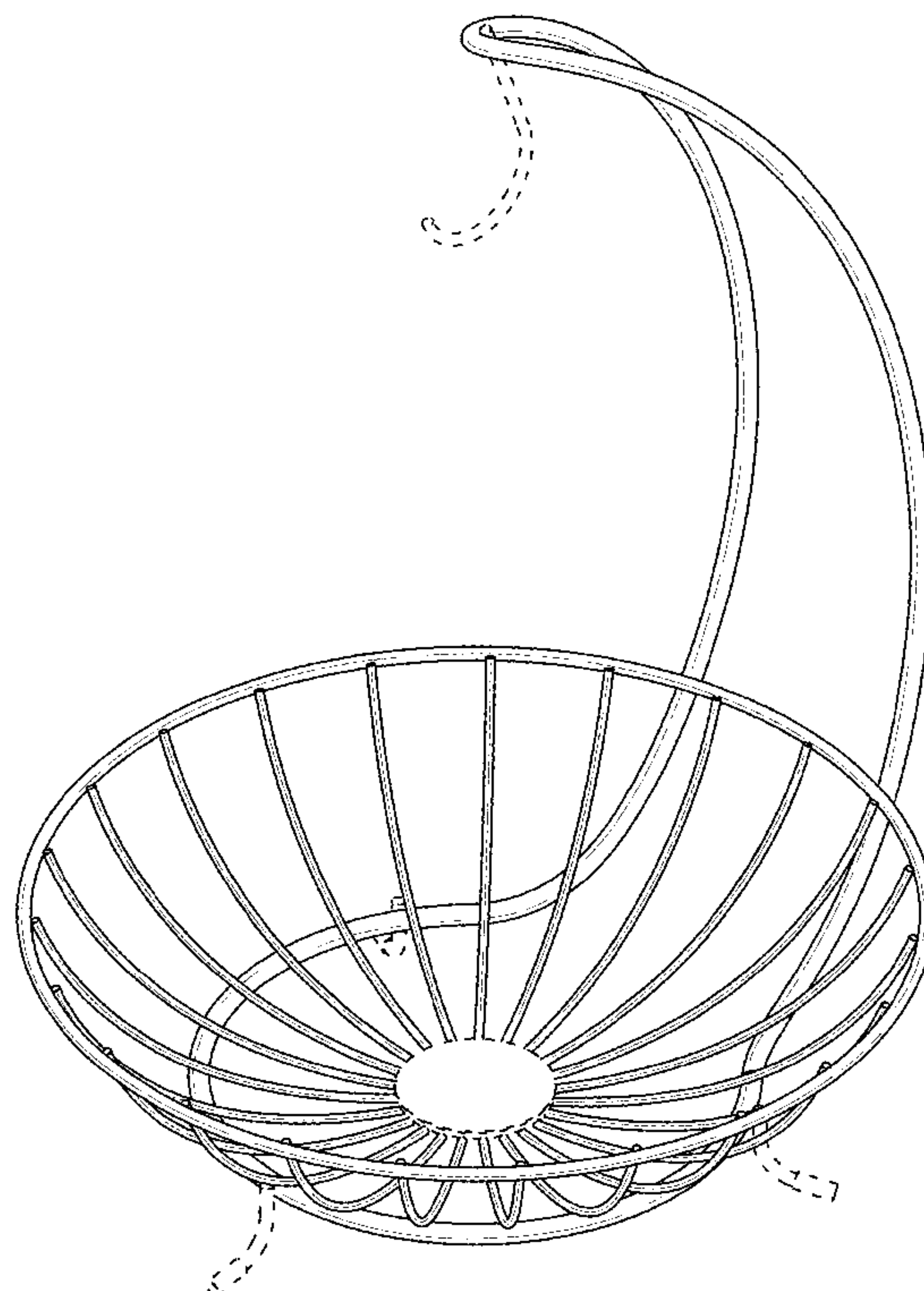
FIG. 1 is a perspective view of a bowl with tree showing my new design.
 FIG. 2 is a front view thereof.
 FIG. 3 is a rear view thereof.
 FIG. 4 is a right side view thereof.
 FIG. 5 is a left side view thereof.
 FIG. 6 is a top view thereof; and,
 FIG. 7 is a bottom view thereof.
 The broken lines show portions of the design that form no part of the claimed design.

1 Claim, 4 Drawing Sheets

(56) **References Cited**

U.S. PATENT DOCUMENTS

D238,476 S *	1/1976	Logue	D7/543
D361,472 S *	8/1995	Heilicher	D7/505
D369,482 S *	5/1996	McArdle	D7/601
D408,229 S *	4/1999	Hong	D7/601
D468,163 S *	1/2003	Blake	D7/601
D475,898 S *	6/2003	Kaposi	D7/638
D543,793 S *	6/2007	Lion	D7/601
D565,907 S *	4/2008	de Groot	D7/584
D631,697 S *	2/2011	Kushner	D7/505



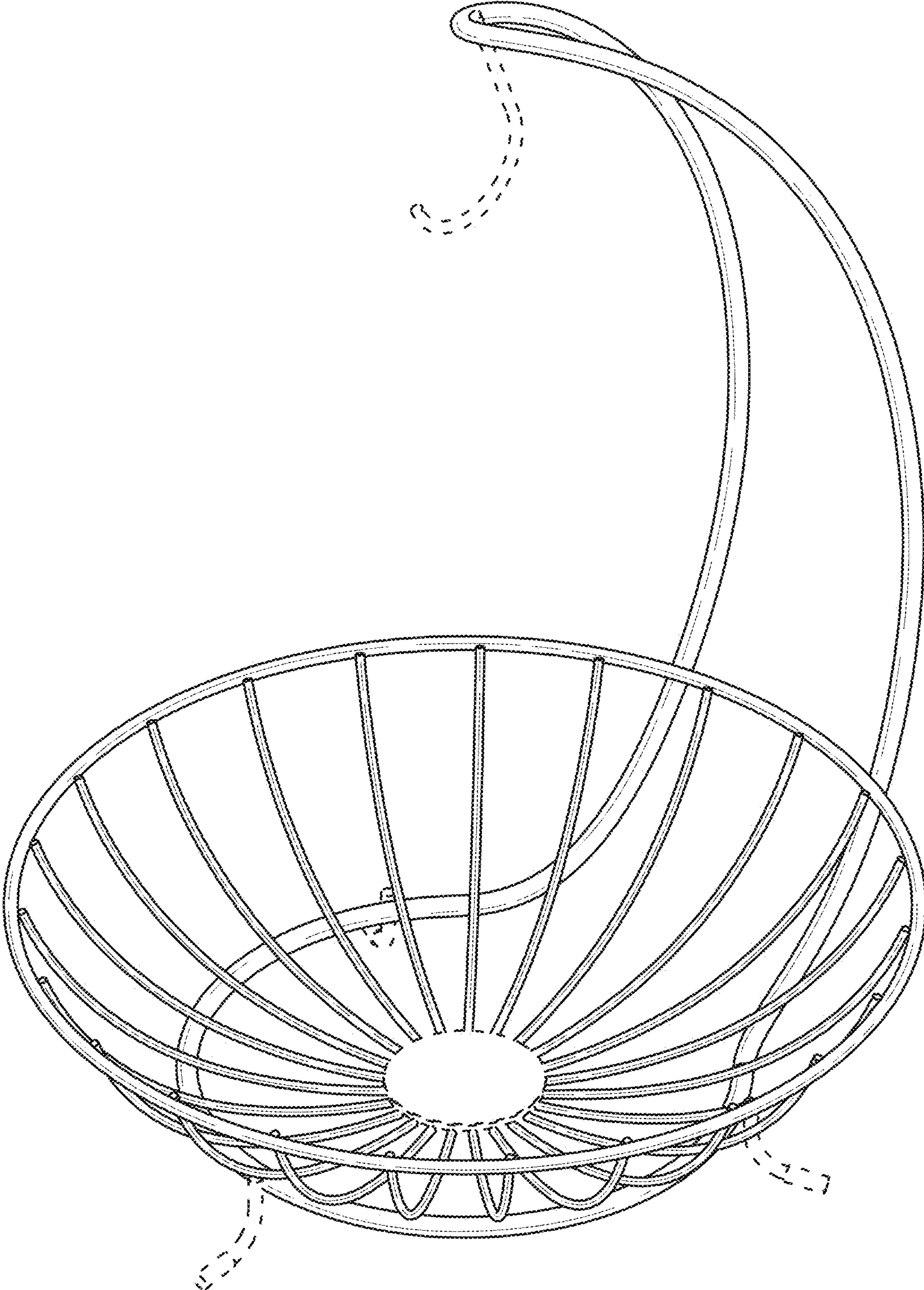


FIG. 1

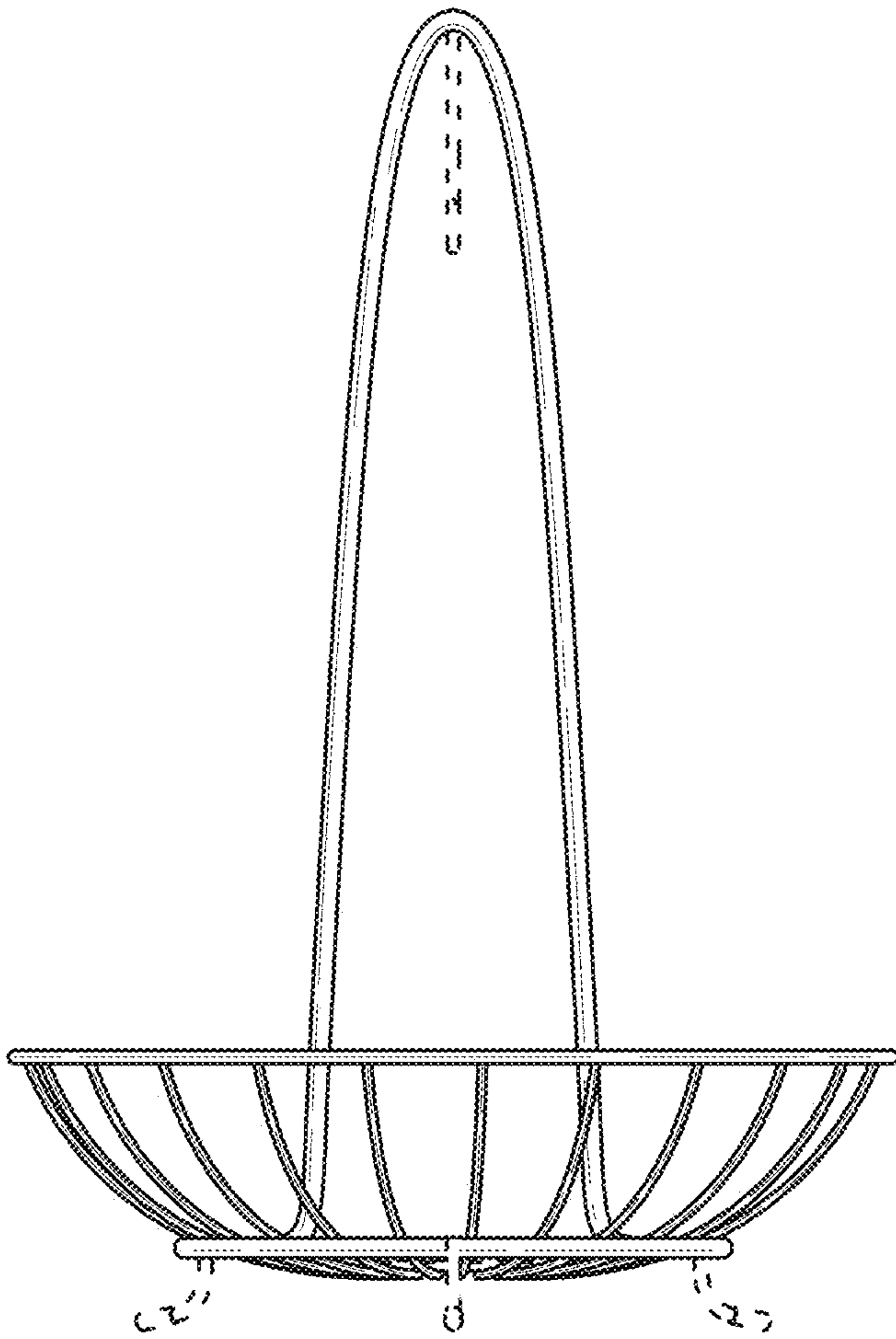


FIG. 2

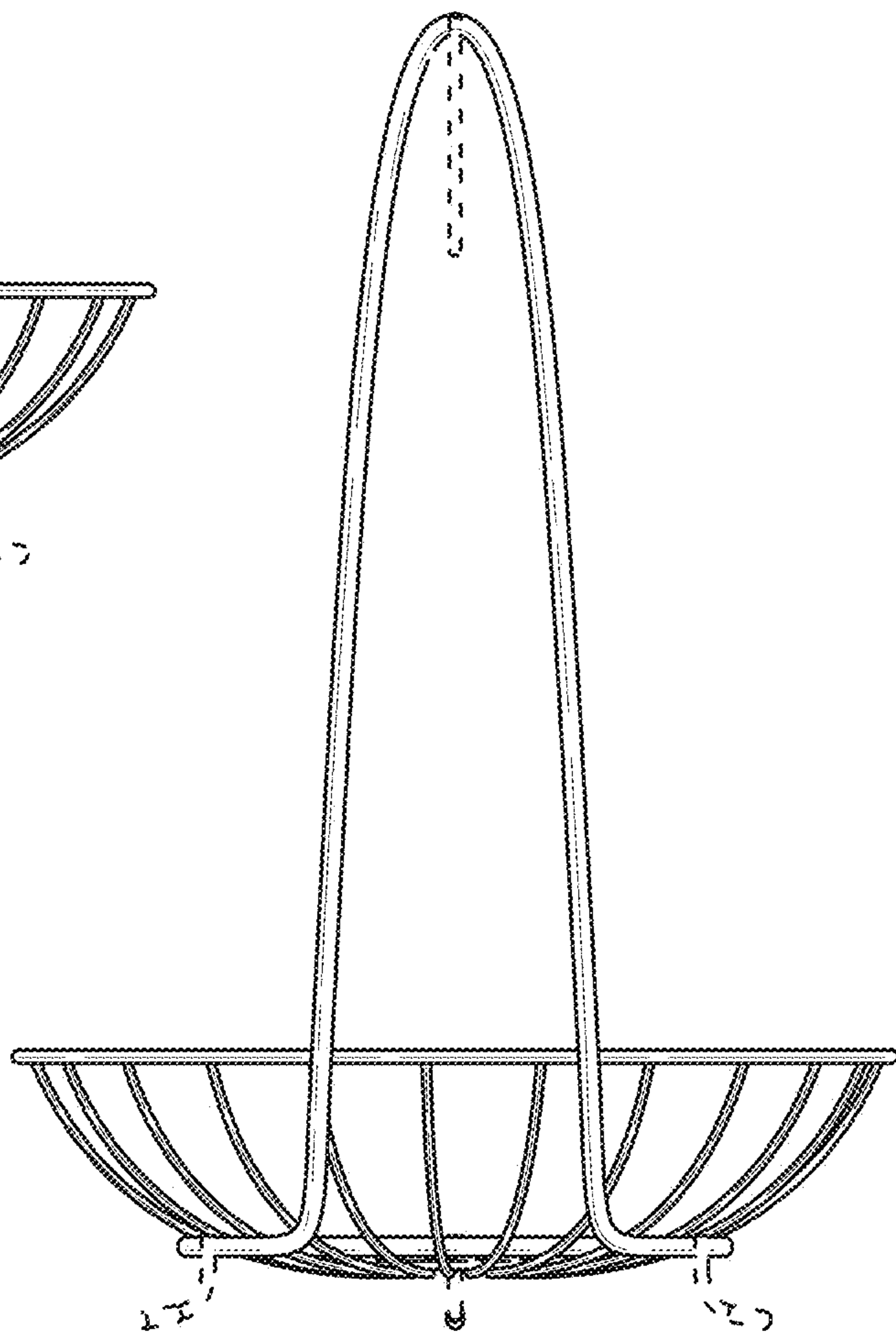


FIG. 3

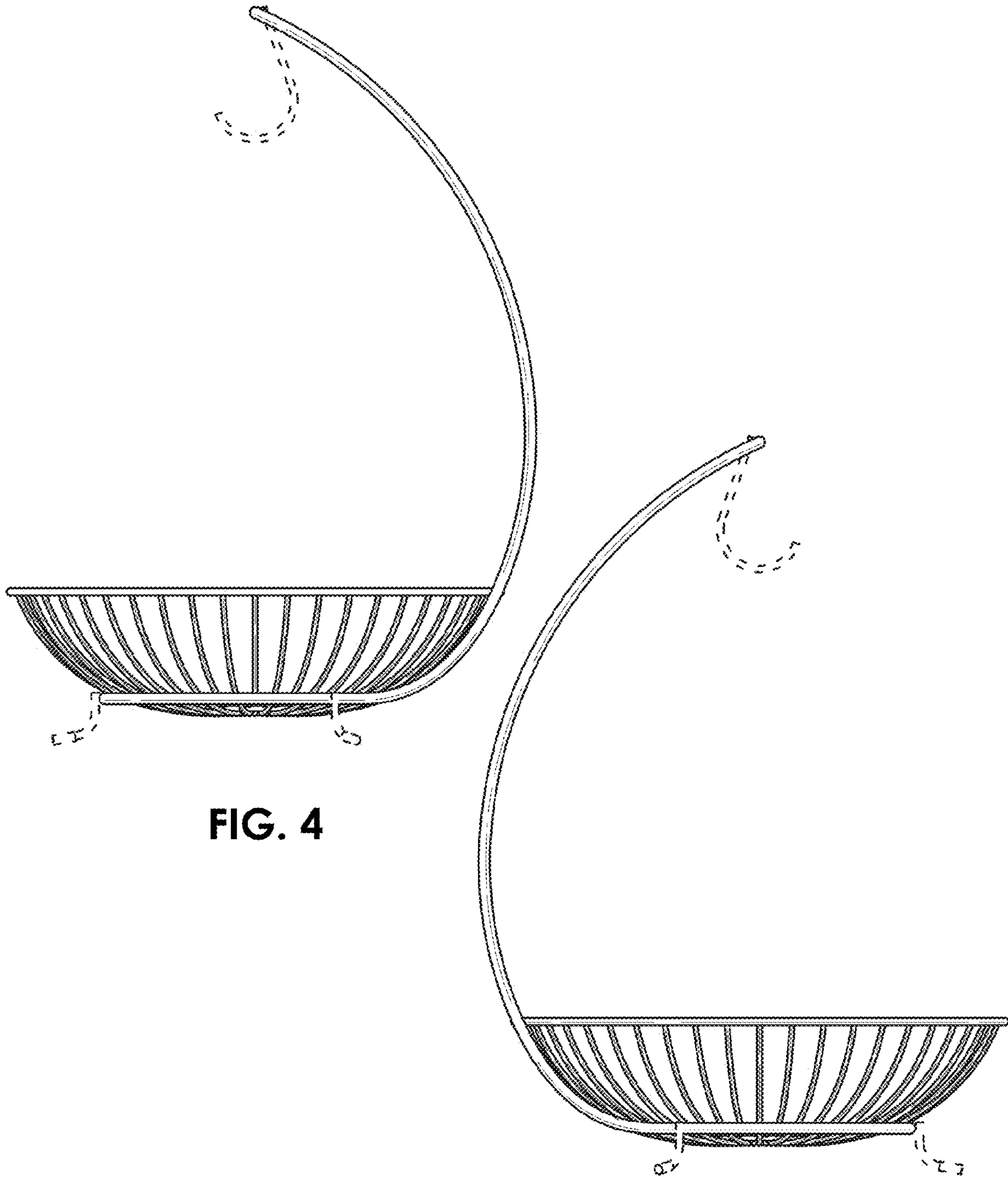


FIG. 4

FIG. 5

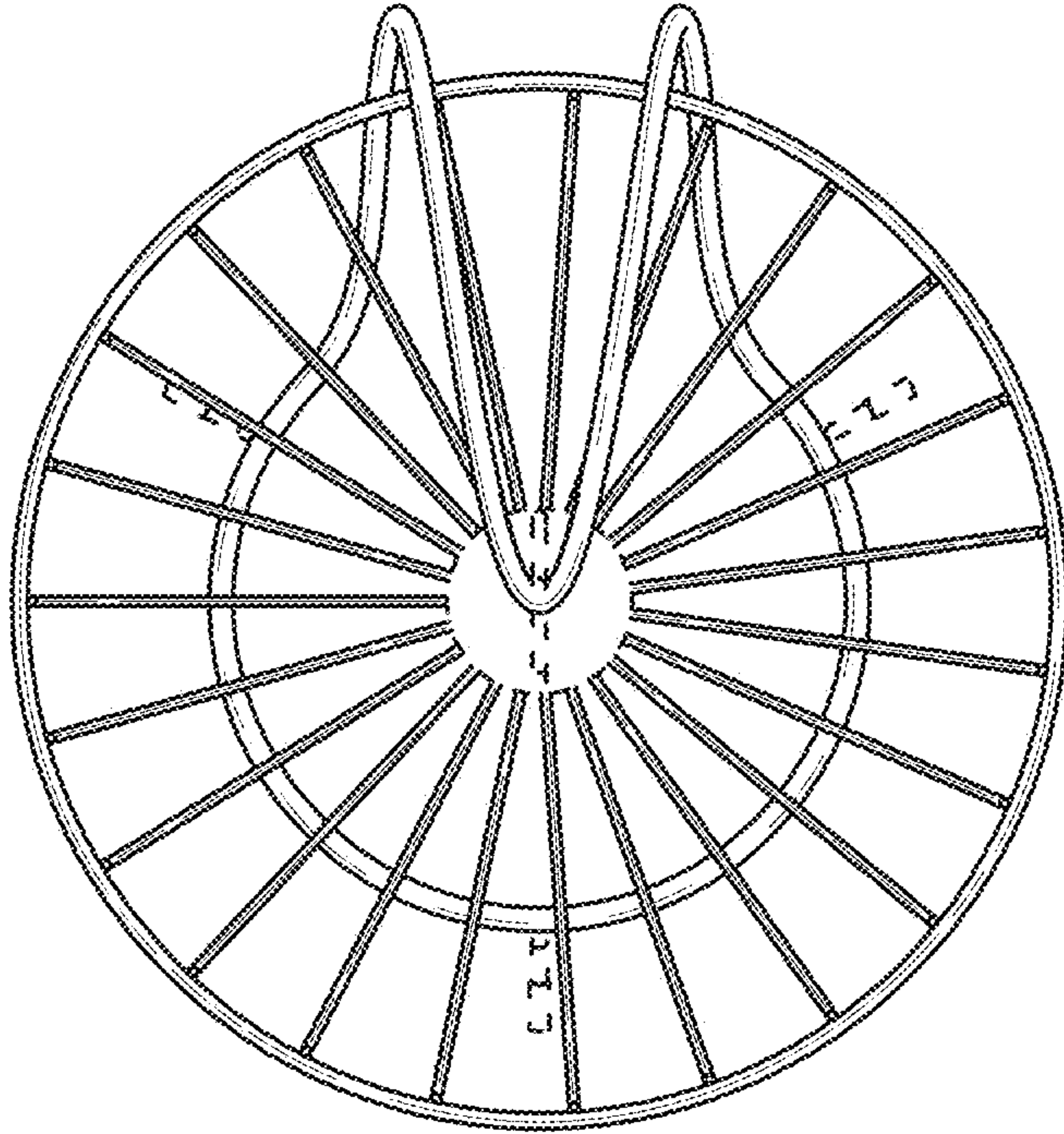


FIG. 6

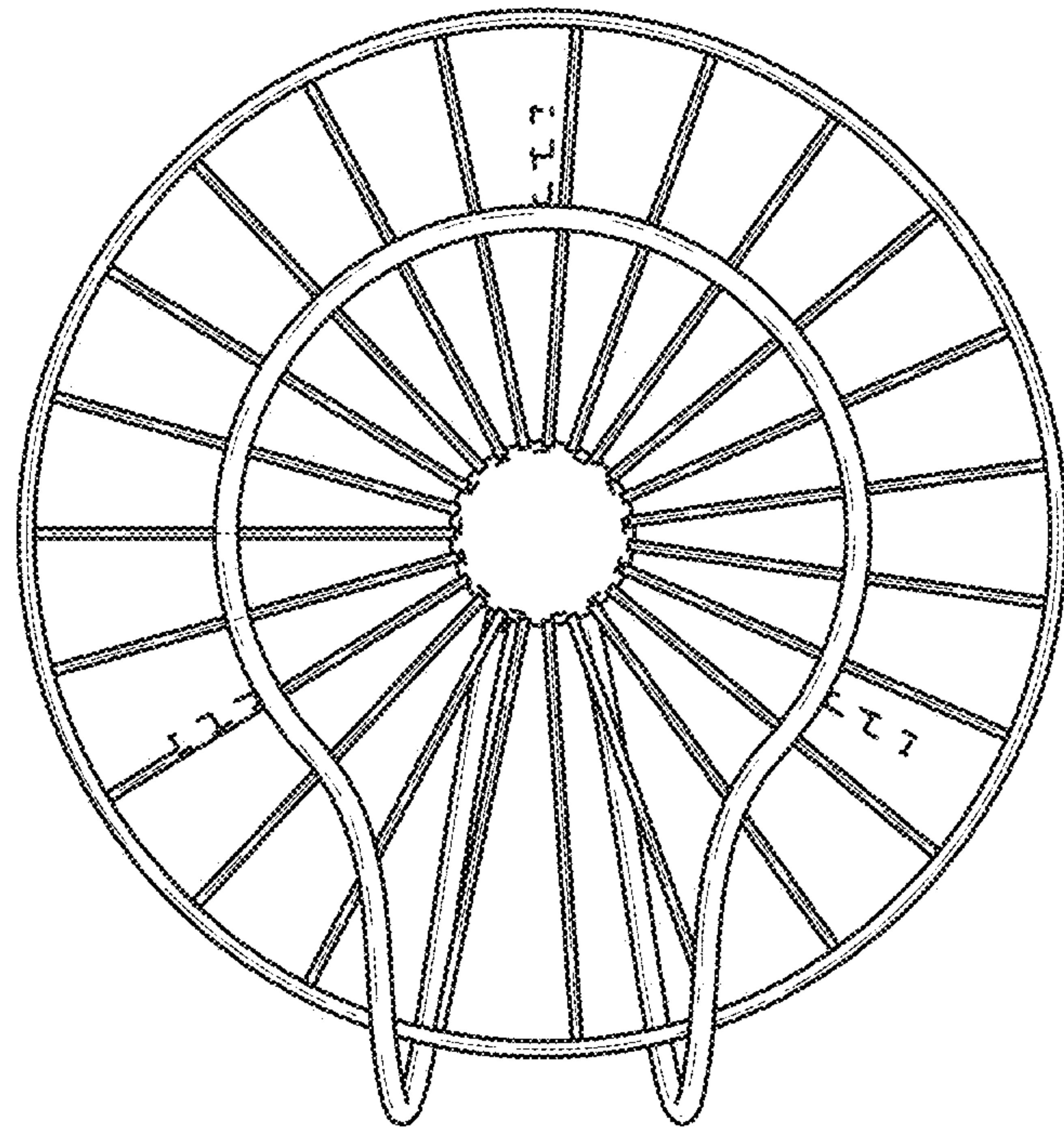


FIG. 7