



US00D887218S

(12) **United States Design Patent** (10) **Patent No.:** **US D887,218 S**
Litos (45) **Date of Patent:** **** Jun. 16, 2020**

(54) **CREAMER CADDY**

(71) Applicant: **Round the Clock Group, LLC**,
 Schererville, IN (US)

(72) Inventor: **Elias Litos**, Schererville, IN (US)

(73) Assignee: **Round the Clock Group, LLC**,
 Schererville, IN (US)

(**) Term: **15 Years**

(21) Appl. No.: **29/672,668**

(22) Filed: **Dec. 7, 2018**

(51) **LOC (12) Cl.** **07-99**

(52) **U.S. Cl.**
 USPC **D7/600.4**

(58) **Field of Classification Search**
 USPC D7/600.2, 600.1, 590, 600, 600.4
 CPC A47J 47/16; A47B 81/00; A47F 7/002;
 A47F 7/00; A47F 5/13; A47F 5/01
 See application file for complete search history.

4,795,038 A * 1/1989 Johnson A47F 7/283
 211/74

D435,740 S * 1/2001 Han D6/405

D497,288 S * 10/2004 McGuyer D7/590

D498,982 S * 11/2004 Hockey D7/600.2

D536,936 S * 2/2007 Tiemann A47J 31/44
 D7/704

D590,183 S * 4/2009 Hensel D6/672

D609,057 S * 2/2010 Hertaus A47J 31/44
 D7/600.2

D609,533 S * 2/2010 Tiemann A47J 31/44
 D7/600.2

D620,280 S * 7/2010 Snider A47J 47/16
 D7/600.2

D621,640 S * 8/2010 Tiemann A47J 47/16
 D7/600.2

D623,875 S * 9/2010 Snider A47J 47/16
 D6/680.3

D626,382 S * 11/2010 Tiemann A47J 47/16
 D7/600.2

D629,655 S * 12/2010 Tiemann A47J 47/16
 D6/680.3

(Continued)

Primary Examiner — Cynthia R Underwood
 (74) *Attorney, Agent, or Firm* — Richards Patent Law
 P.C.

(56) **References Cited**

U.S. PATENT DOCUMENTS

150,718 A * 5/1874 Seavey A47F 5/0037
 211/77

938,809 A * 11/1909 Alexander G11B 33/0483
 211/40

2,612,999 A * 10/1952 Zeis A01J 9/08
 211/77

2,662,644 A * 12/1953 Alexander A47F 5/0037
 211/77

3,088,714 A * 5/1963 Isreeli G01N 30/34
 366/199

3,275,159 A * 9/1966 James A47F 5/02
 211/49.1

D290,573 S * 6/1987 Drummond, Jr. D7/600

4,700,850 A * 10/1987 Morgan B44D 3/00
 211/131.1

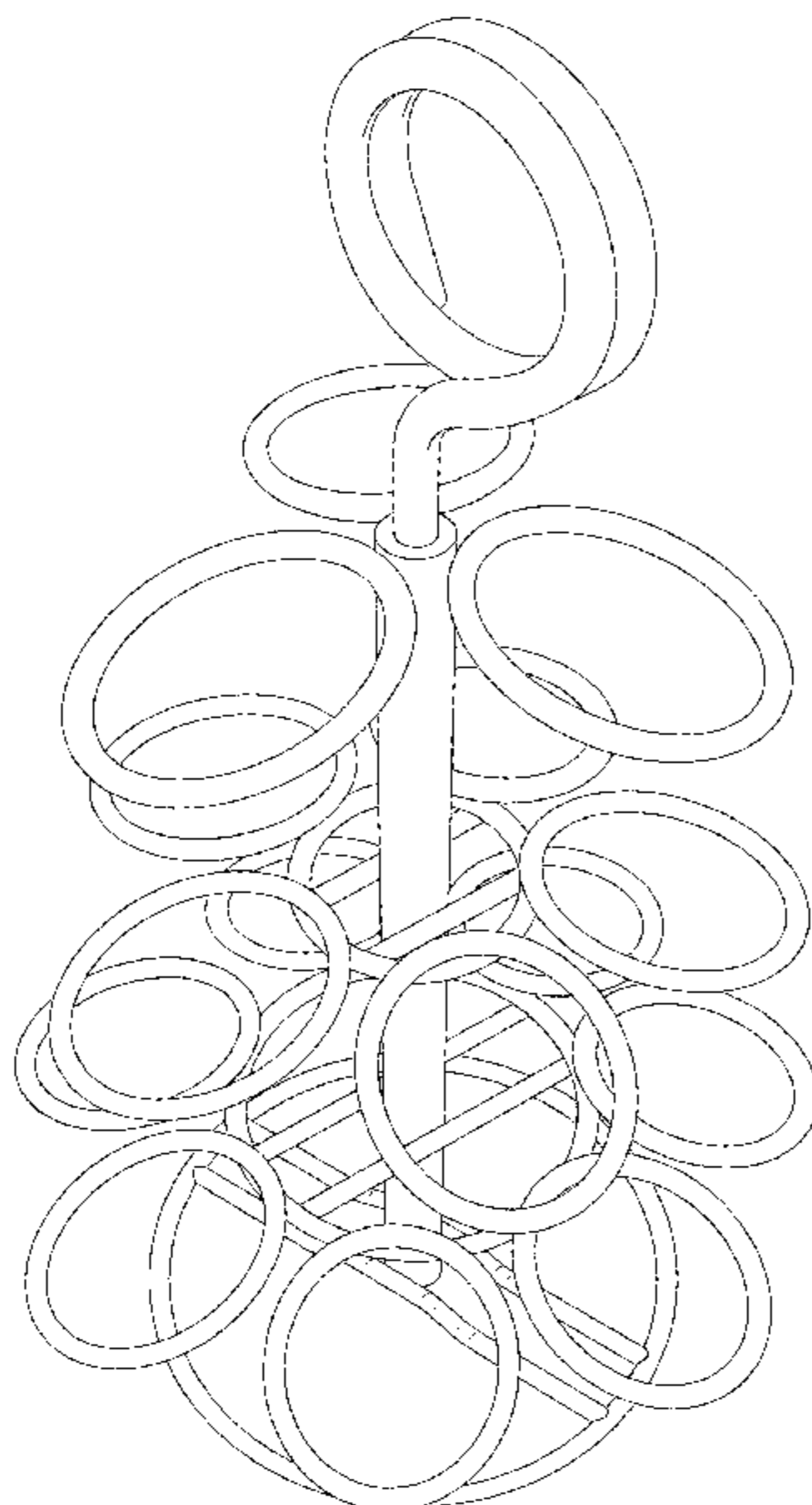
(57) **CLAIM**

The ornamental design for a creamer caddy, as shown and described.

DESCRIPTION

FIG. 1 is an isometric view of a creamer caddy showing my new design;
 FIG. 2 is a front view thereof;
 FIG. 3 is a back view thereof;
 FIG. 4 is a right side view thereof;
 FIG. 5 is a left side view thereof;
 FIG. 6 is a top view thereof; and,
 FIG. 7 is a bottom view thereof.

1 Claim, 7 Drawing Sheets



(56)

References Cited

U.S. PATENT DOCUMENTS

D634,978	S *	3/2011	Tiemann	A47J 47/16 D7/600.4
D662,782	S *	7/2012	Tiemann	D7/600.2
D664,401	S *	7/2012	Tiemann	D7/600.4
8,292,096	B2 *	10/2012	Thompson	A47J 47/16 211/59.2
D679,955	S *	4/2013	Hsu	D7/600.4
D680,382	S *	4/2013	Tiemann	D7/600.2
D680,383	S *	4/2013	Tsai	D7/600.4
D680,384	S *	4/2013	Tsai	D7/600.2
D688,529	S *	8/2013	Tiemann	D7/600.2
D700,017	S *	2/2014	Hertaus	D7/600.4
D703,006	S *	4/2014	Hsu	D7/600.4
8,950,601	B2 *	2/2015	Hagadorn	A47B 67/02 211/131.1
9,027,768	B2 *	5/2015	Hagadorn	A47B 67/02 211/131.1
D743,749	S *	11/2015	Lee	D7/600.2
D744,289	S *	12/2015	Tiemann	D7/600.2
D763,627	S *	8/2016	Thompson	D7/600.1
D768,442	S *	10/2016	Lee	D7/600.2
D777,524	S *	1/2017	Hertaus	D7/600.2
D778,684	S *	2/2017	Hertaus	D7/600.4
D865,455	S *	11/2019	Liu	D7/600.2
D867,073	S *	11/2019	McConnell	D7/600.2
2002/0170868	A1 *	11/2002	Morgan	A47G 19/30 211/77
2007/0045206	A1 *	3/2007	Tiemann	A47B 49/00 211/77

* cited by examiner

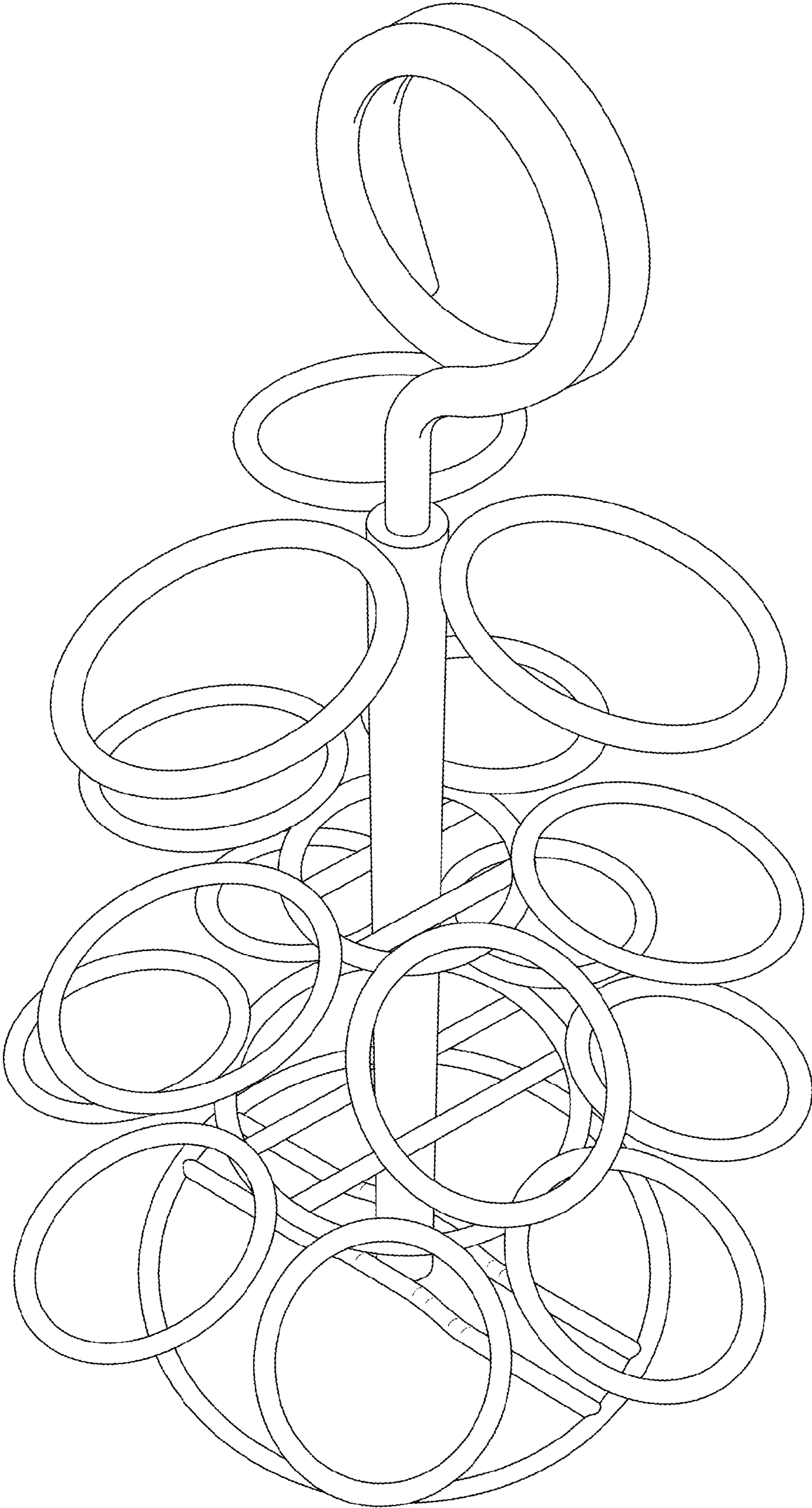


FIG. 1

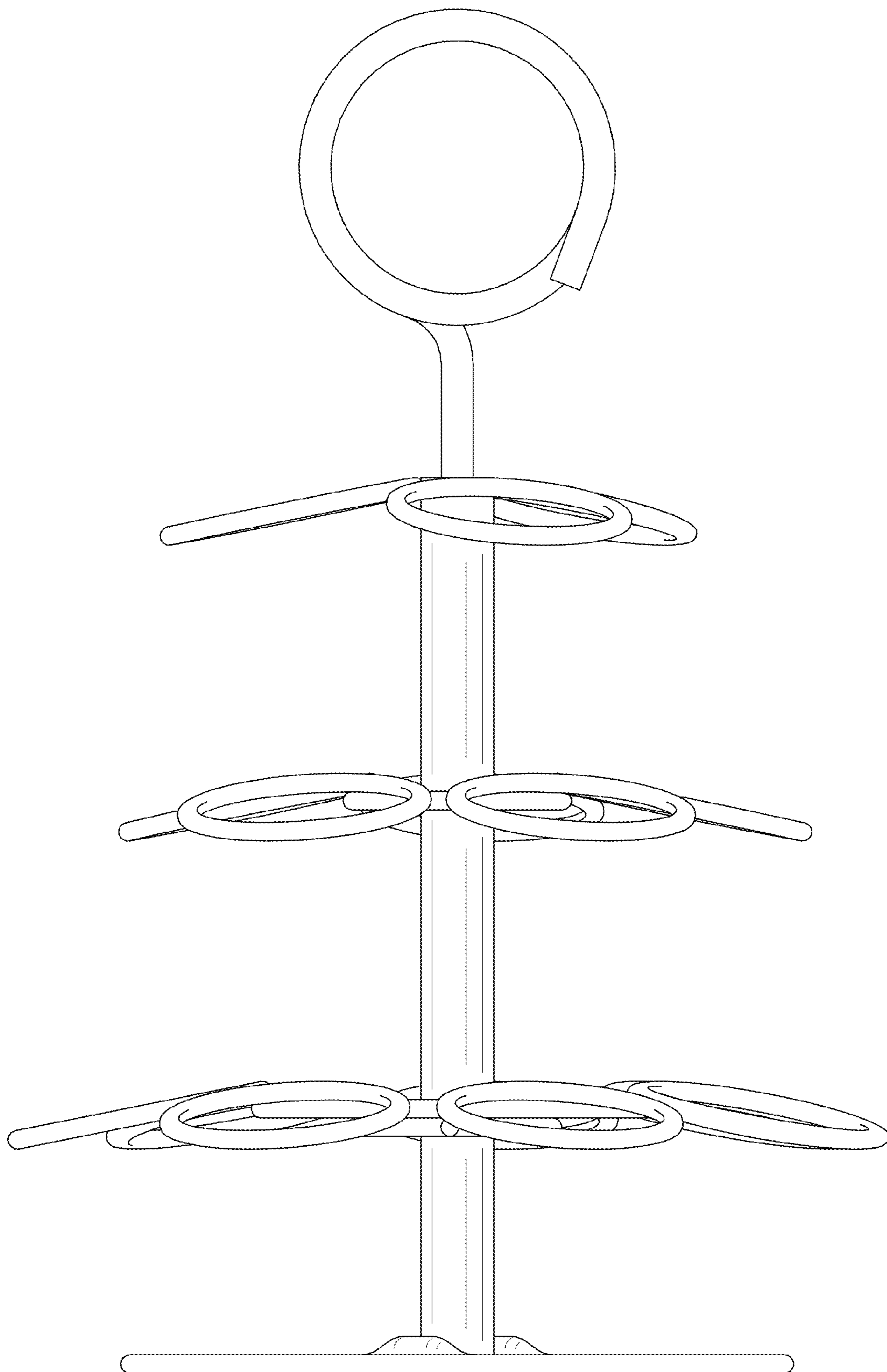


FIG. 2

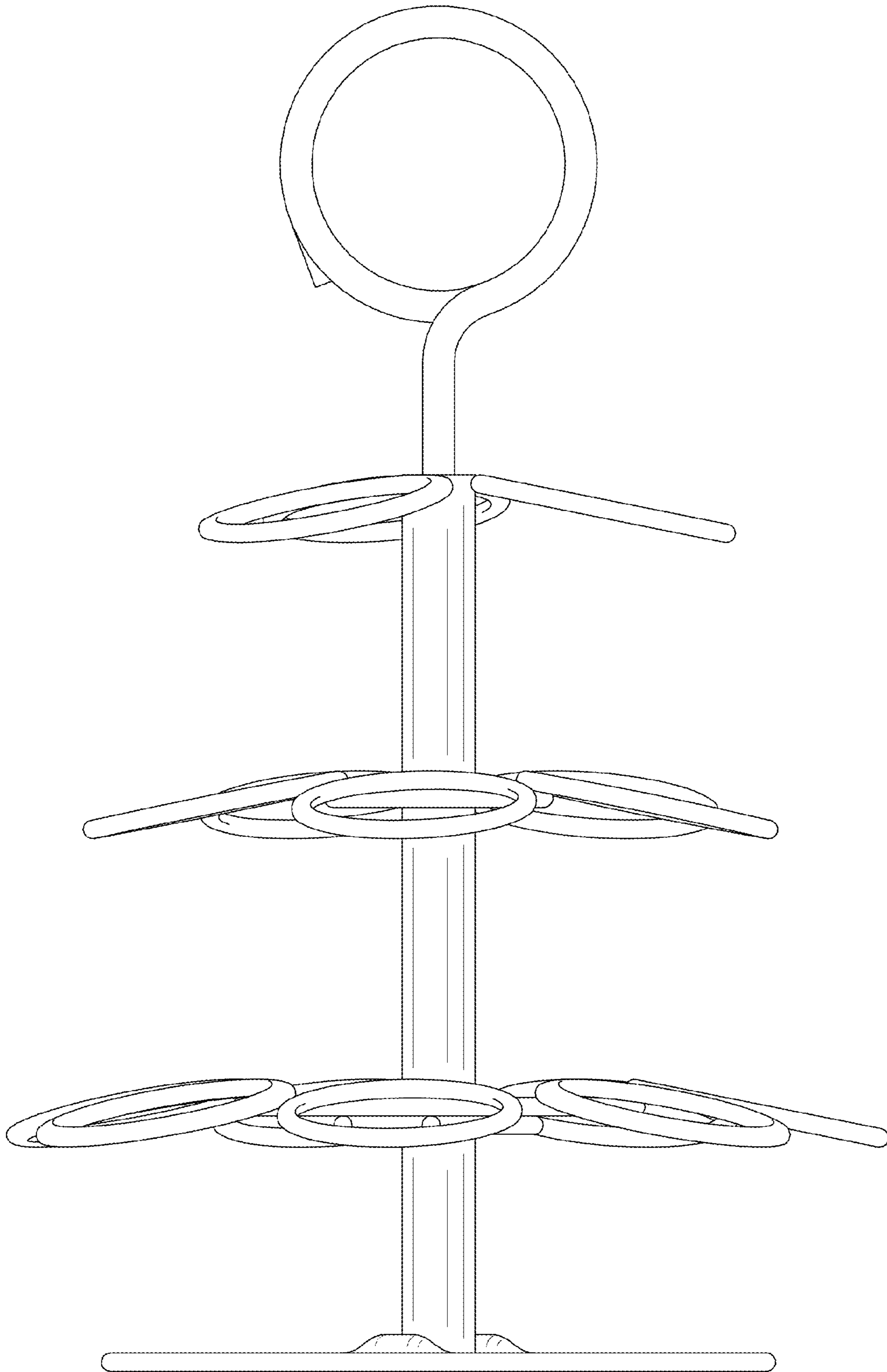


FIG. 3

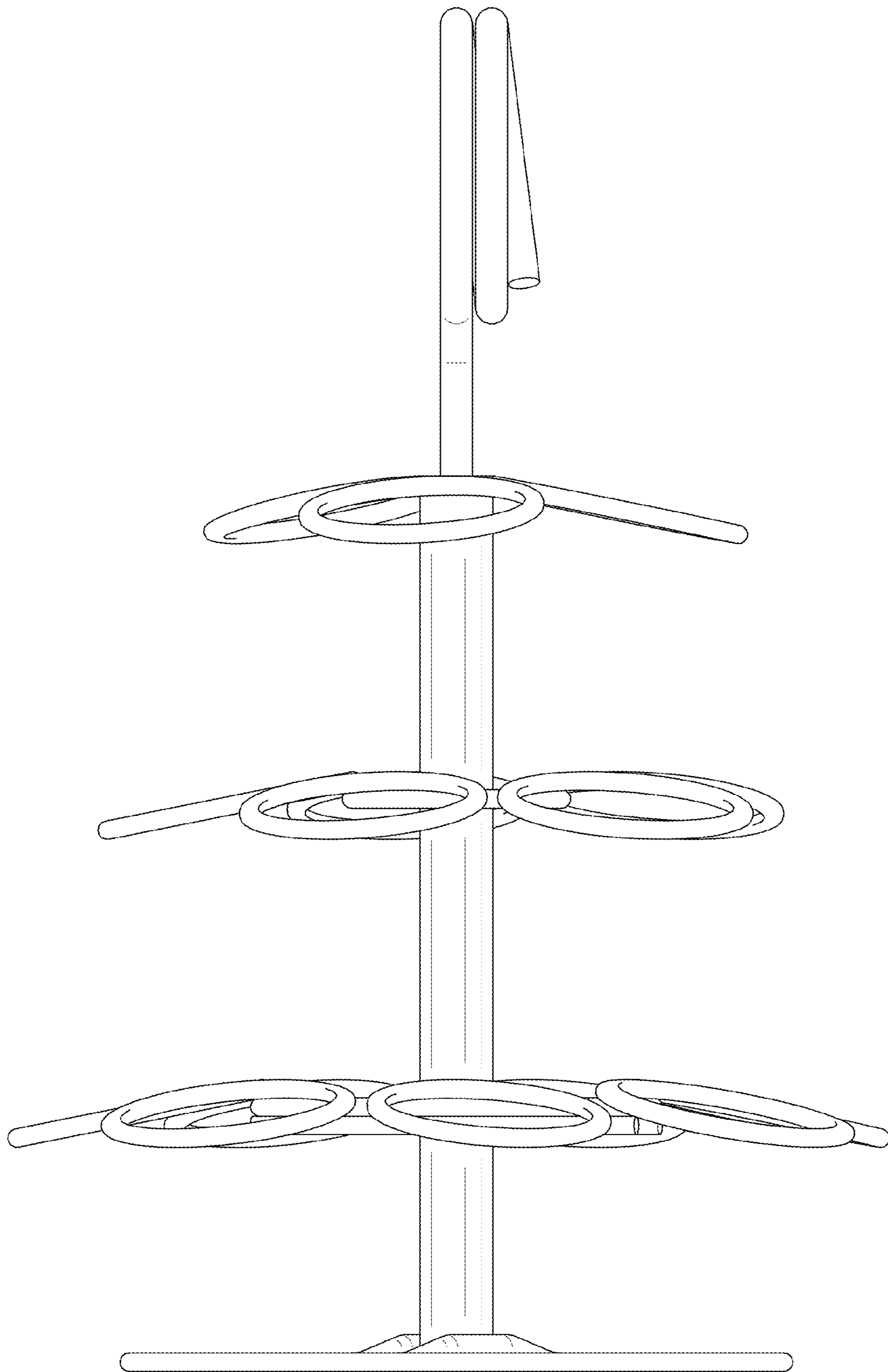


FIG. 4

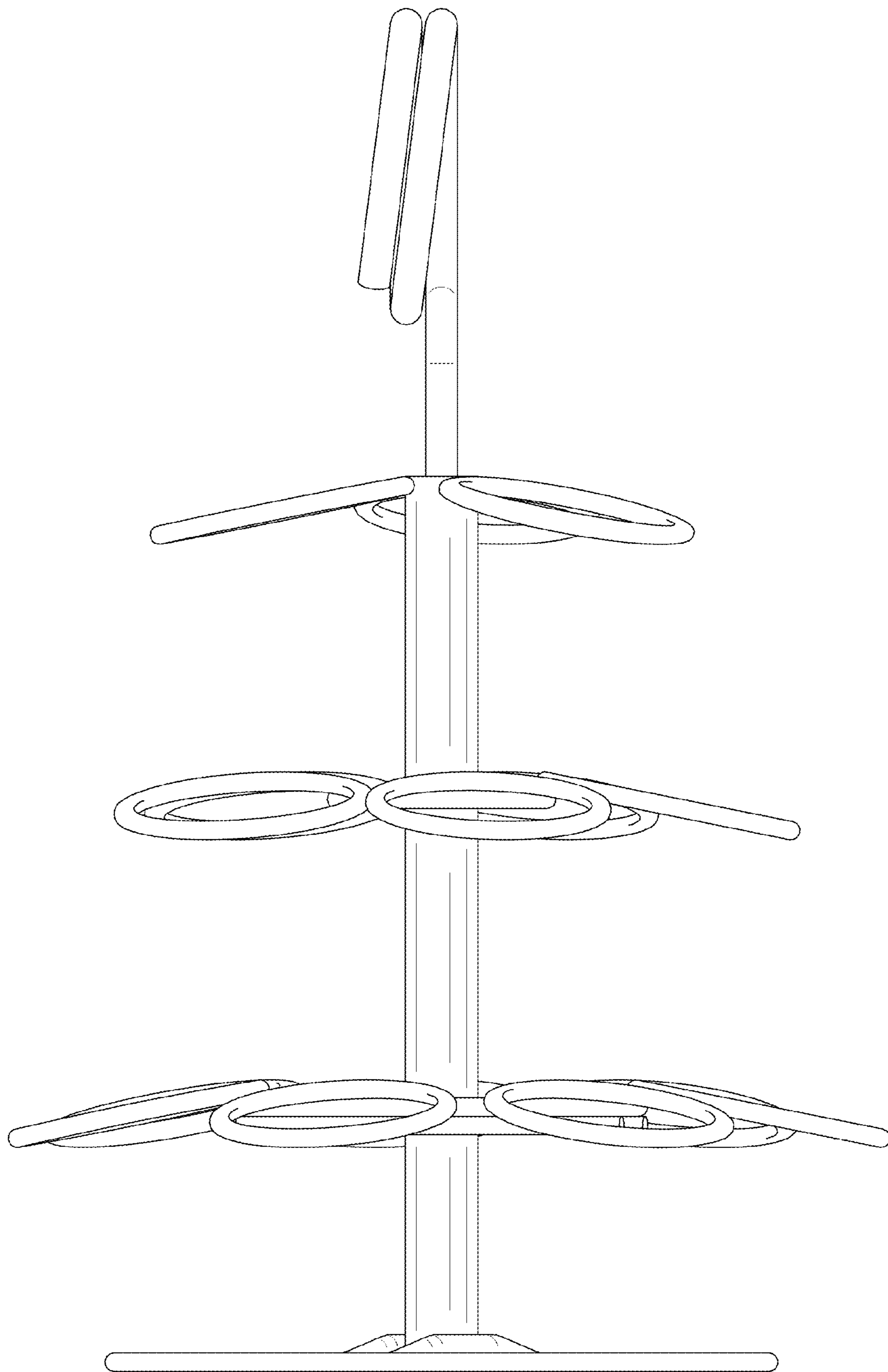


FIG. 5

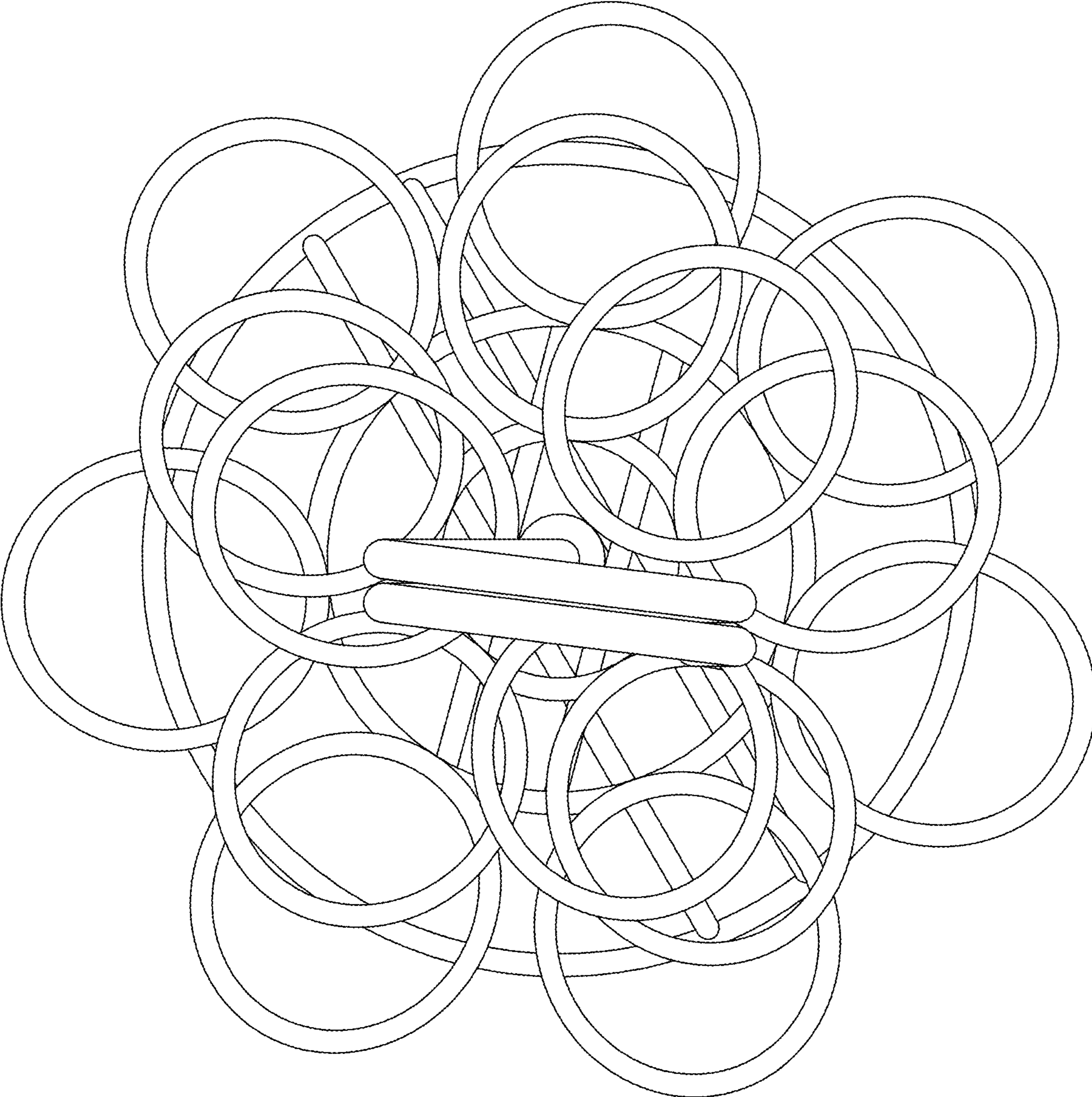


FIG. 6

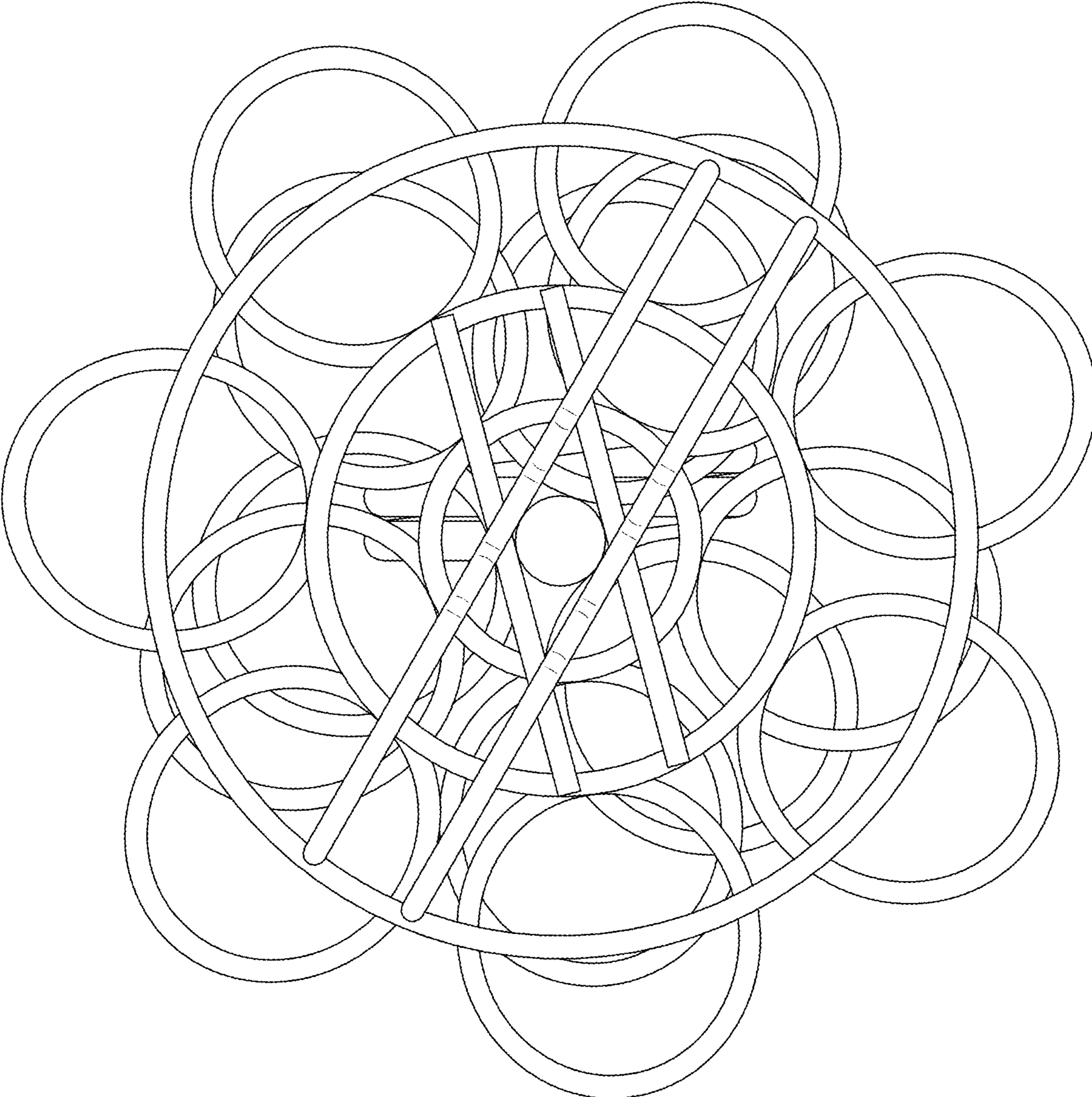


FIG. 7