



US00D887216S

(12) **United States Design Patent**
Zhou

(10) **Patent No.:** **US D887,216 S**
(45) **Date of Patent:** **** Jun. 16, 2020**

(54) **WATER BOTTLE**
(71) Applicant: **Shenzhen Square Bottle Company Limited**, Shen Zhen, Guang Dong (CN)

D831,493 S * 10/2018 Daley D9/560
D853,796 S * 7/2019 Collinet D7/602
2009/0321384 A1* 12/2009 Zhang B65D 1/0223
215/383
2010/0089865 A1* 4/2010 Oguchi B65D 1/0223
215/382

(72) Inventor: **Han Zhou**, Shen Zhen (CN)

(73) Assignee: **Shenzhen Square Bottle Company Limited**, Shenzhen (CN)

(**) Term: **15 Years**

(21) Appl. No.: **29/643,946**

(22) Filed: **Apr. 13, 2018**

(51) **LOC (12) Cl.** **07-01**

(52) **U.S. Cl.**
USPC **D7/529**; D7/565

(58) **Field of Classification Search**
USPC D7/509, 601, 602, 605, 612, 619.1, 629,
D7/300, 300.1, 396.2, 367; D9/763, 776,
D9/779, 516, 536, 537, 549, 905;
D24/193, 197; D28/76, 85
CPC A47G 19/22; A47G 19/2205; A47G
19/2266; A47G 19/2272; A45F 3/16;
A47J 43/27; B65D 41/04; B65D 43/02;
A45D 40/00; A45D 2040/0025

See application file for complete search history.

(56) **References Cited**

U.S. PATENT DOCUMENTS

D578,407 S * 10/2008 Chewing D9/559
D761,115 S * 7/2016 Gu D9/559
D766,722 S * 9/2016 Schlies D9/516
D817,714 S * 5/2018 Breit D7/510
D818,773 S * 5/2018 Fairchild, Jr. D7/509
D820,104 S * 6/2018 Miller D9/560
D831,488 S * 10/2018 Reeber D9/516

OTHER PUBLICATIONS

UZSPACE bottle | posted at Alibaba.com, no posting date, [online], [site visited Sep. 14, 2019]. Available from Internet, <URL: http://www.szbbottle.com.cn/product/60830374510807816105/HOT_selling_high_quality_BPA_free_Tritan_custom_logo_outdoor_water_bottle.html?spm=a2700.icbuShop.39653.7.791d6223pF4cer> (Year: 2019).*

* cited by examiner

Primary Examiner — Derrick E Holland

Assistant Examiner — Andrew Kerr

(57) **CLAIM**

The ornamental design for a water bottle, as shown and described.

DESCRIPTION

FIG. 1 is a front elevational view of a water bottle showing my new design;

FIG. 2 is a rear elevational view thereof;

FIG. 3 is a left side elevational view thereof;

FIG. 4 is a right side elevational view thereof;

FIG. 5 is a top plan view thereof;

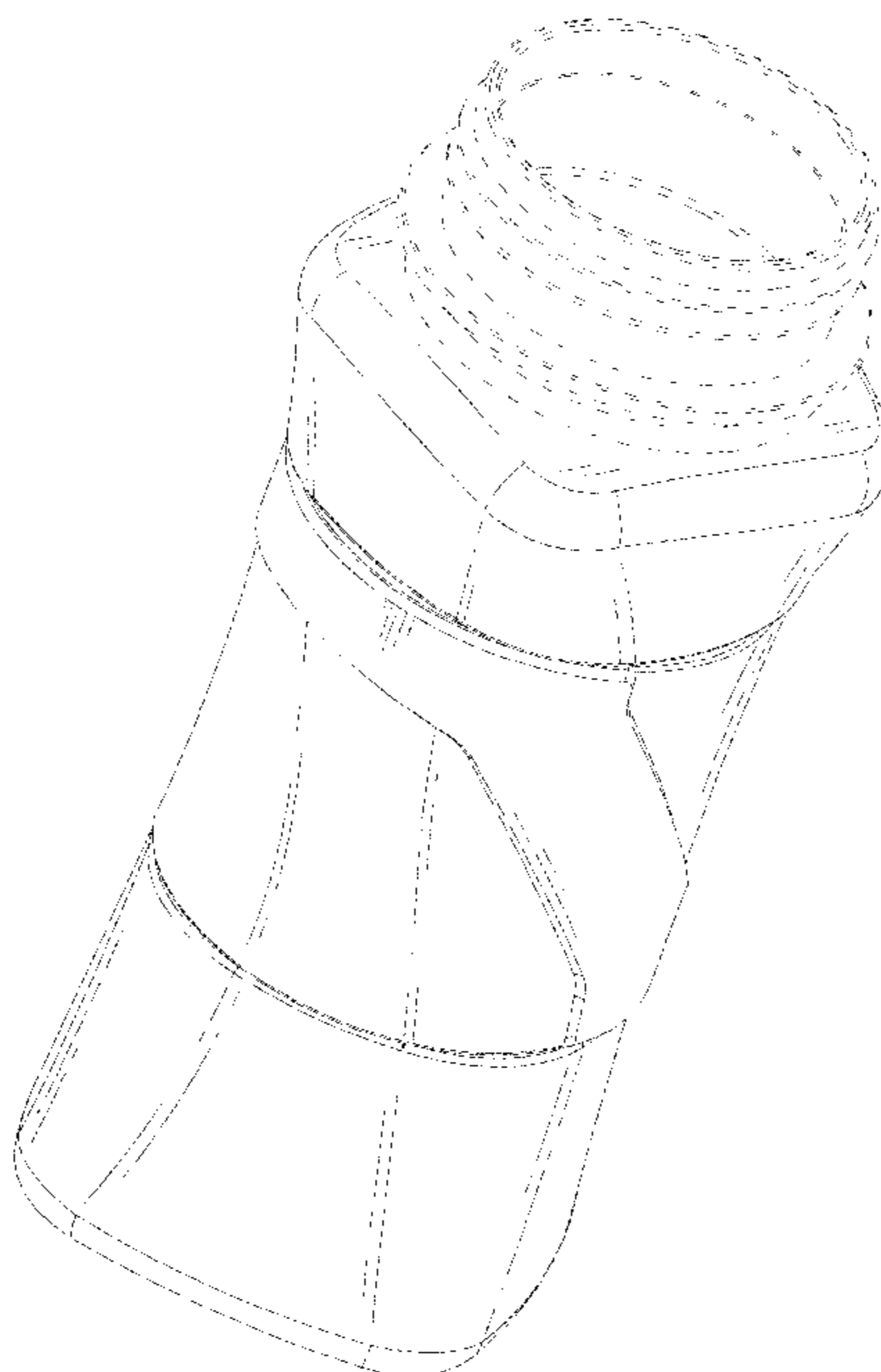
FIG. 6 is a bottom plan view thereof;

FIG. 7 is a top, front and left side perspective view thereof; and,

FIG. 8 is a bottom, rear and right side perspective view thereof.

The broken lines in the drawings illustrate portions of the water bottle which form no part of the claimed design.

1 Claim, 8 Drawing Sheets



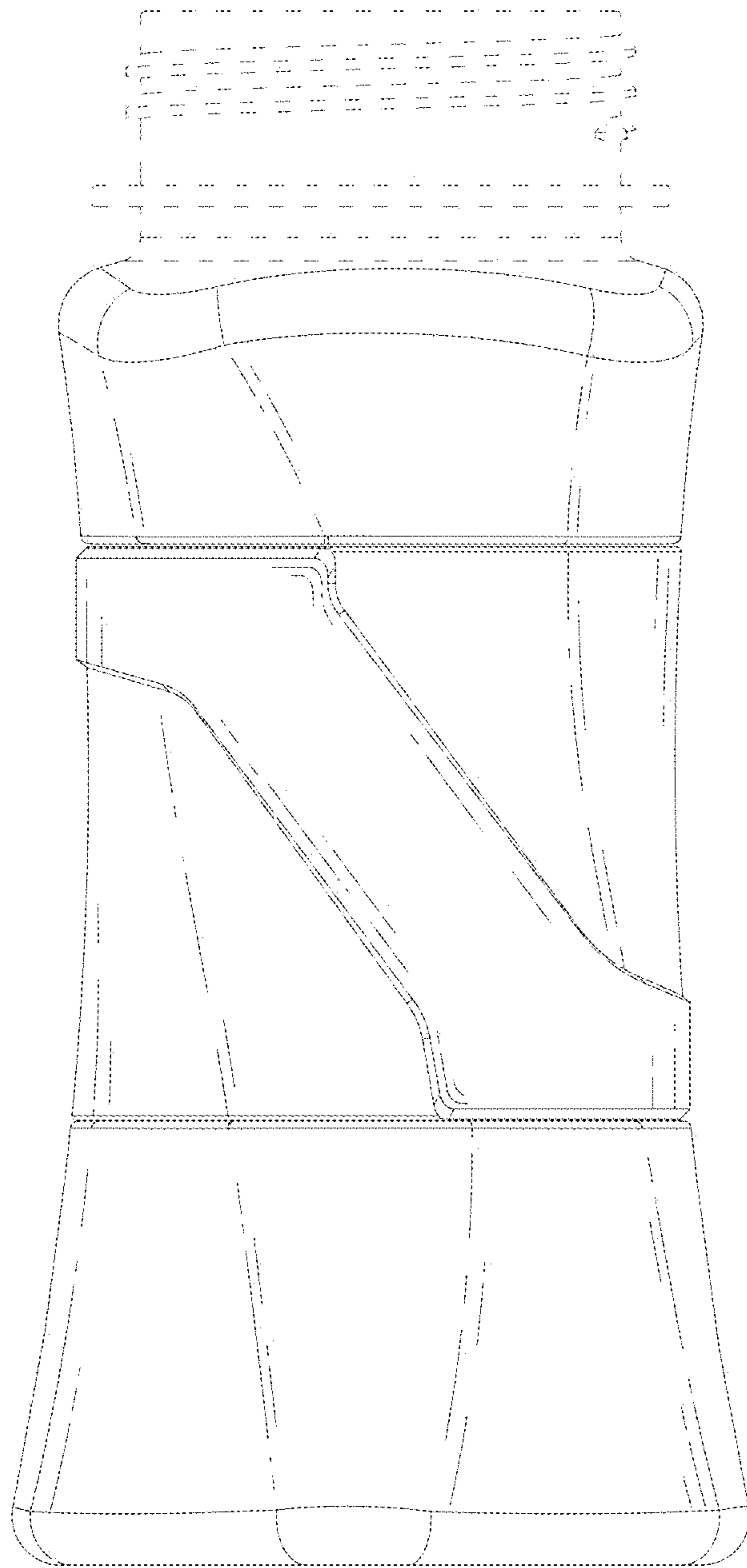


Fig. 1

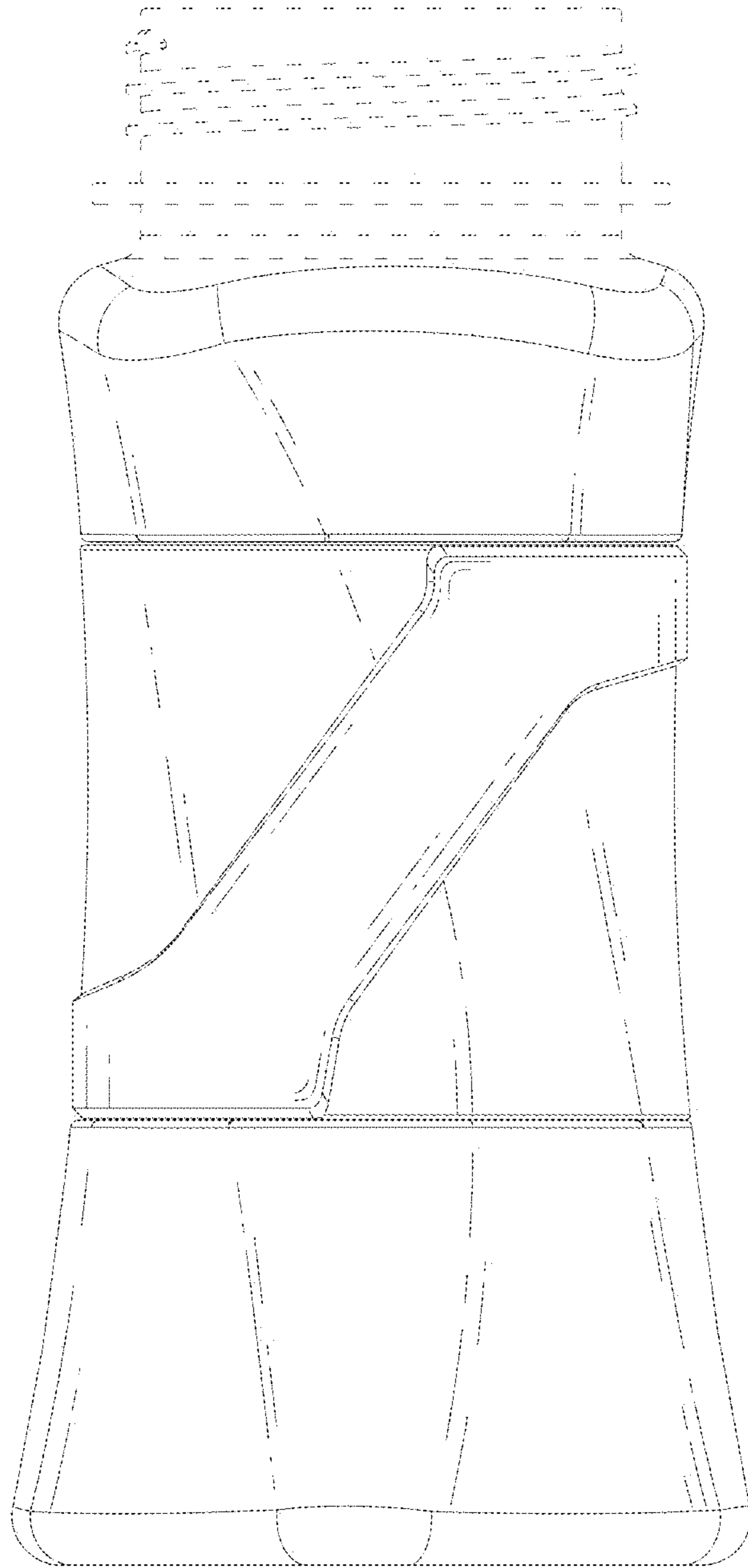


Fig. 2

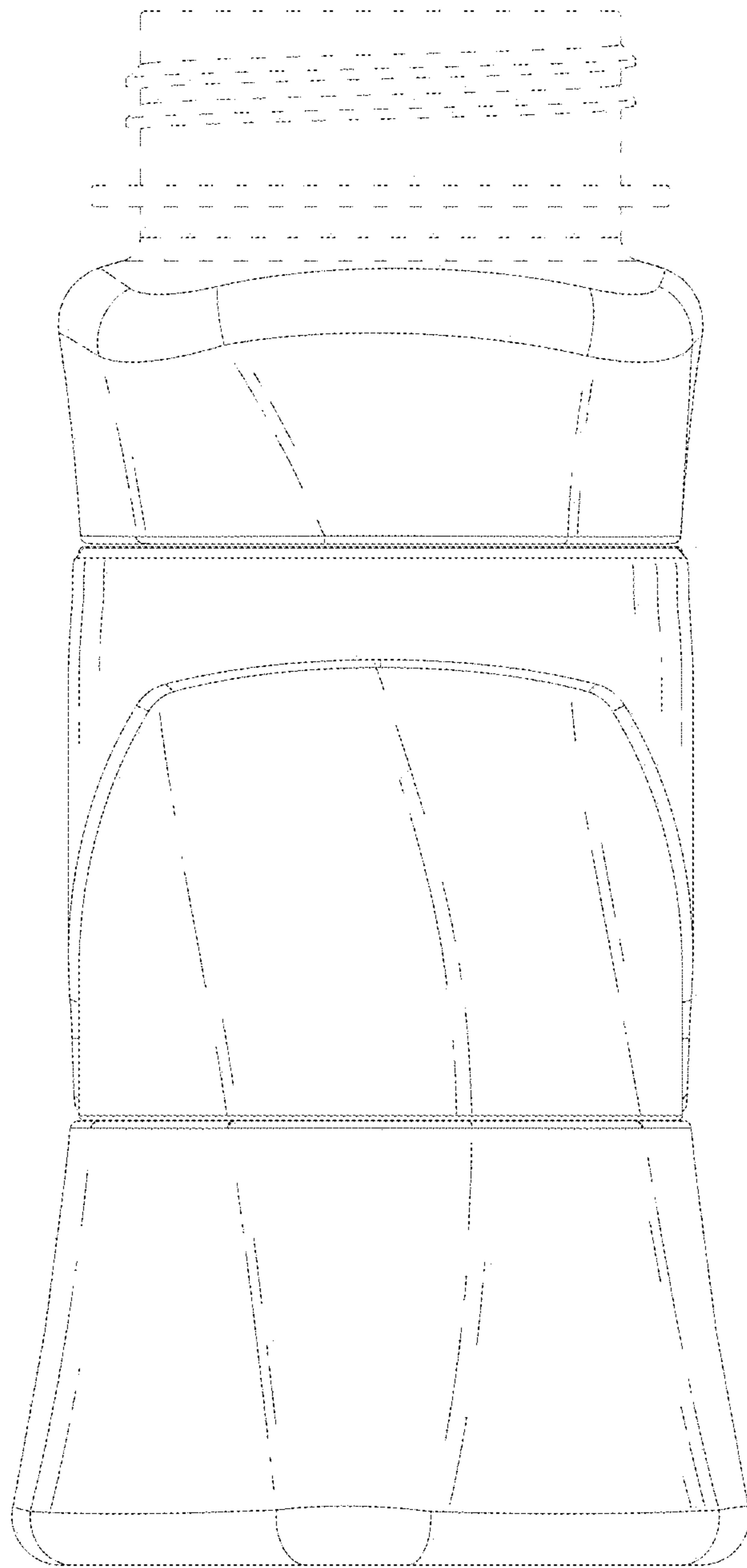


Fig. 3

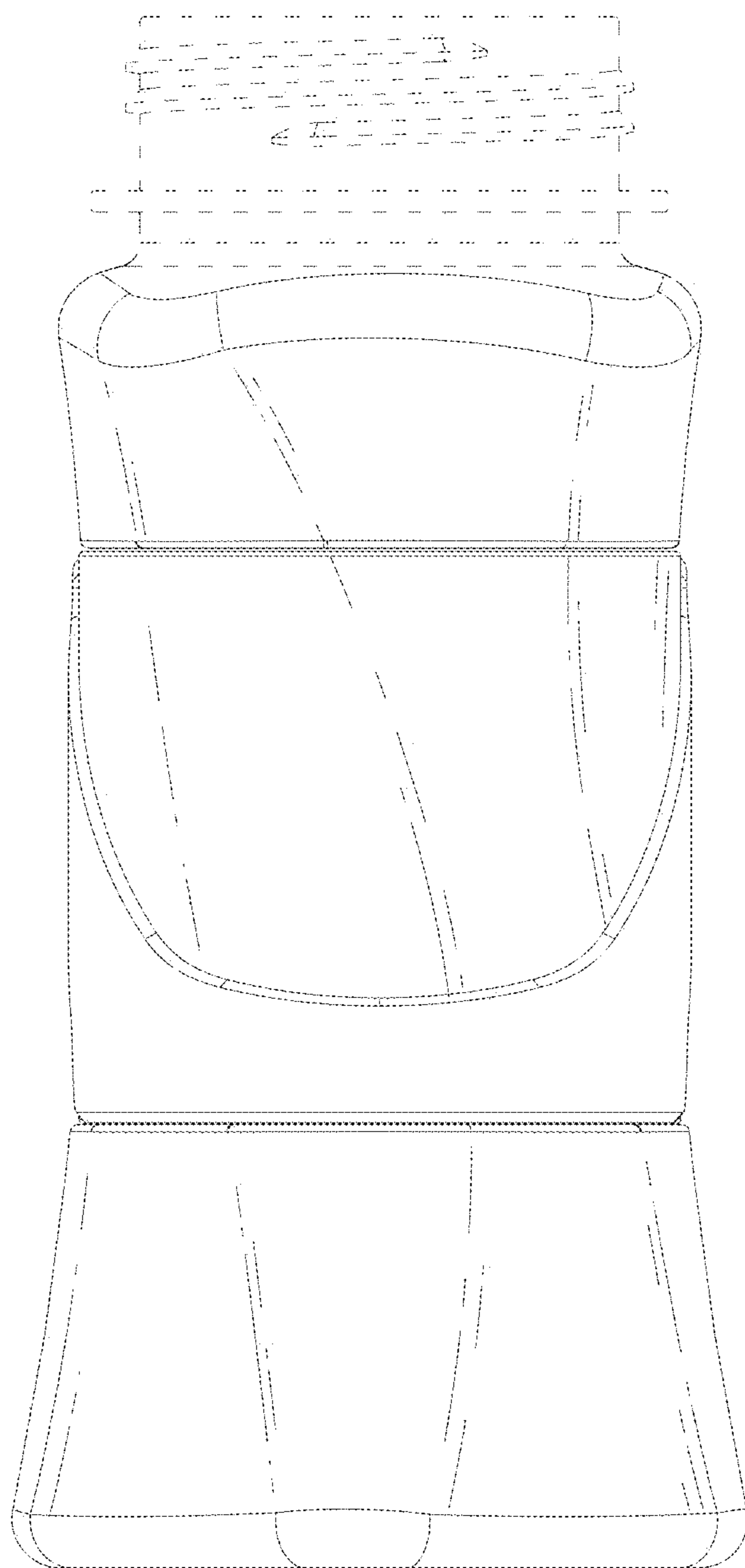


Fig. 4

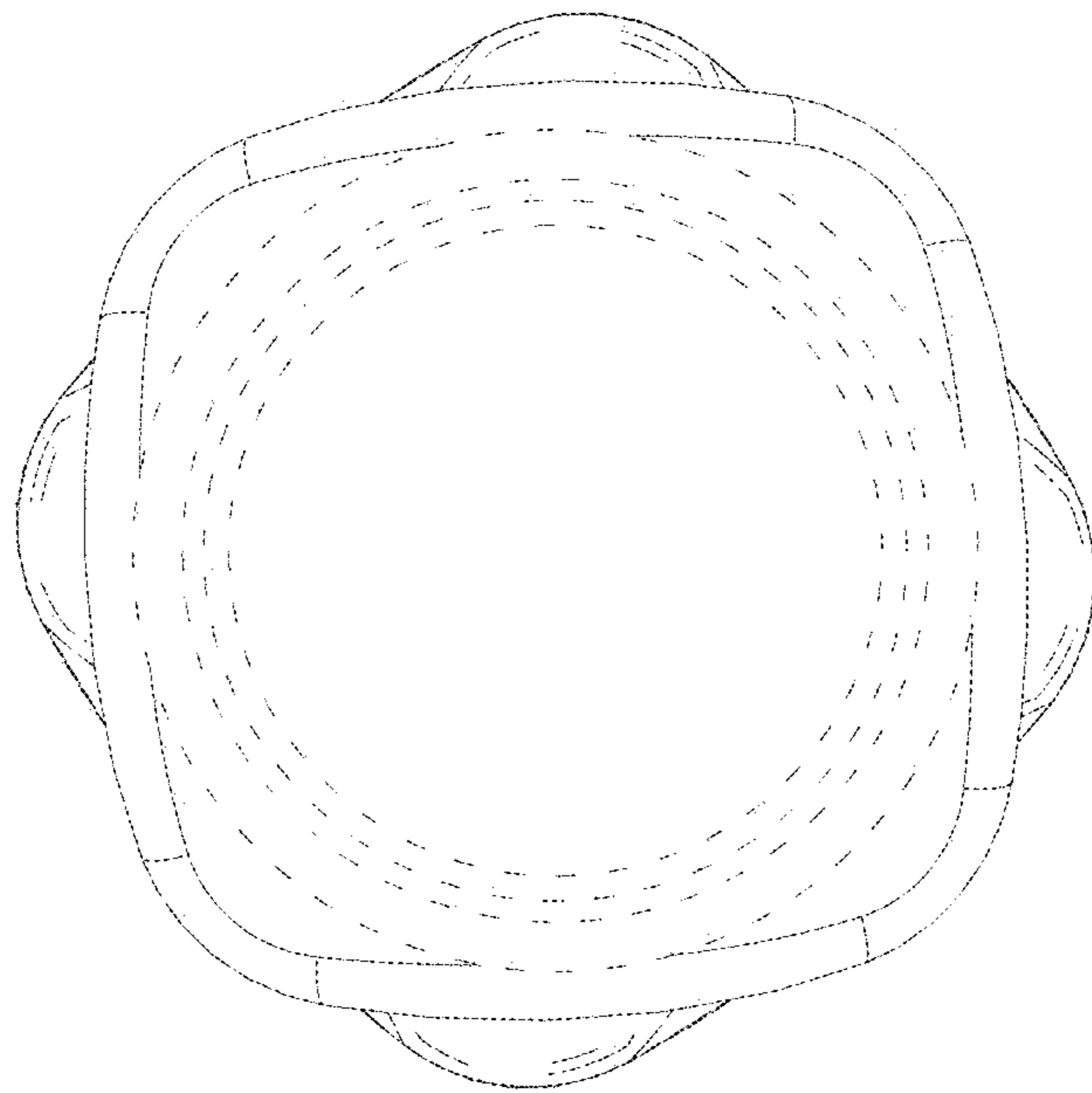


Fig. 5

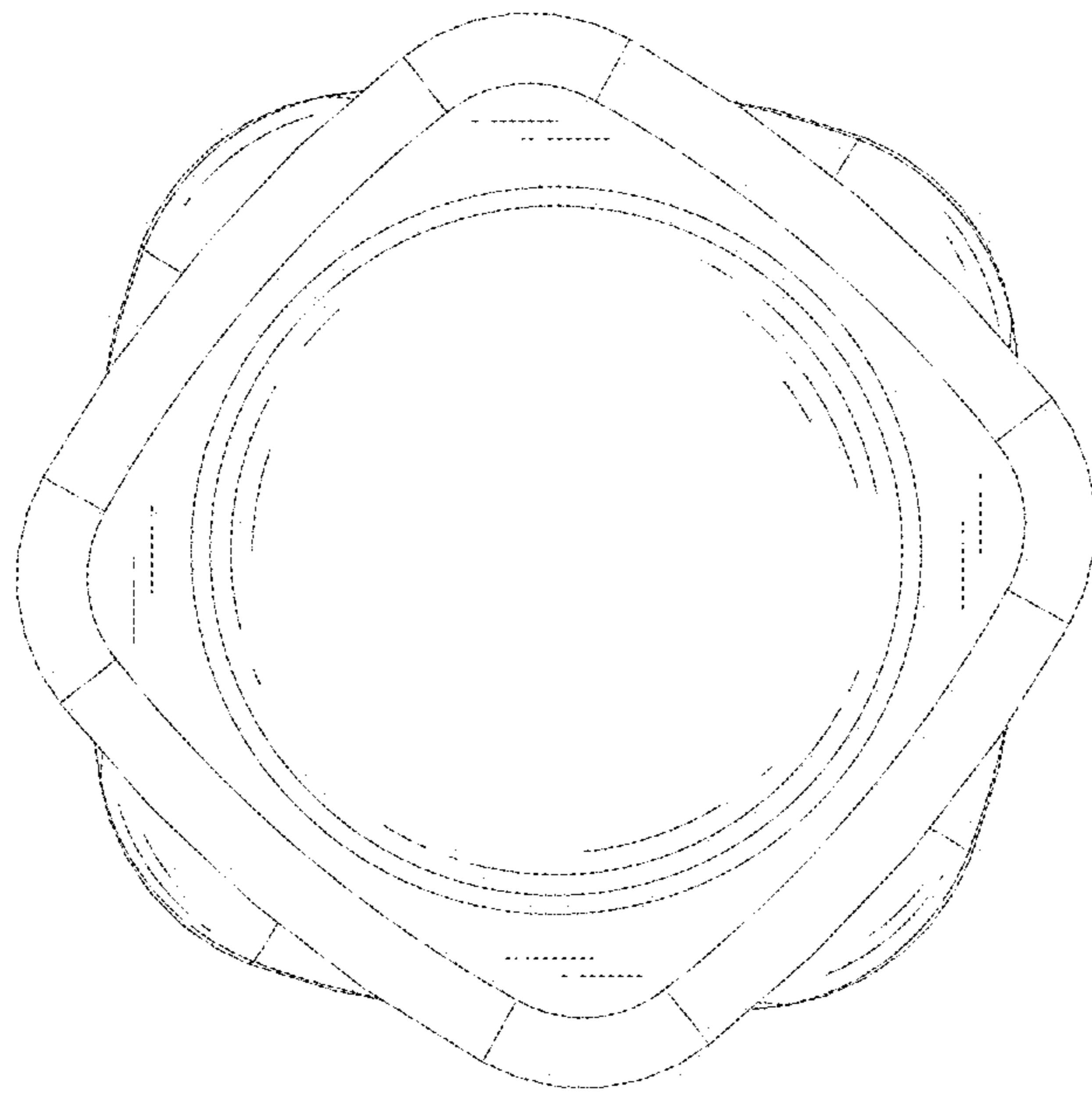


Fig. 6

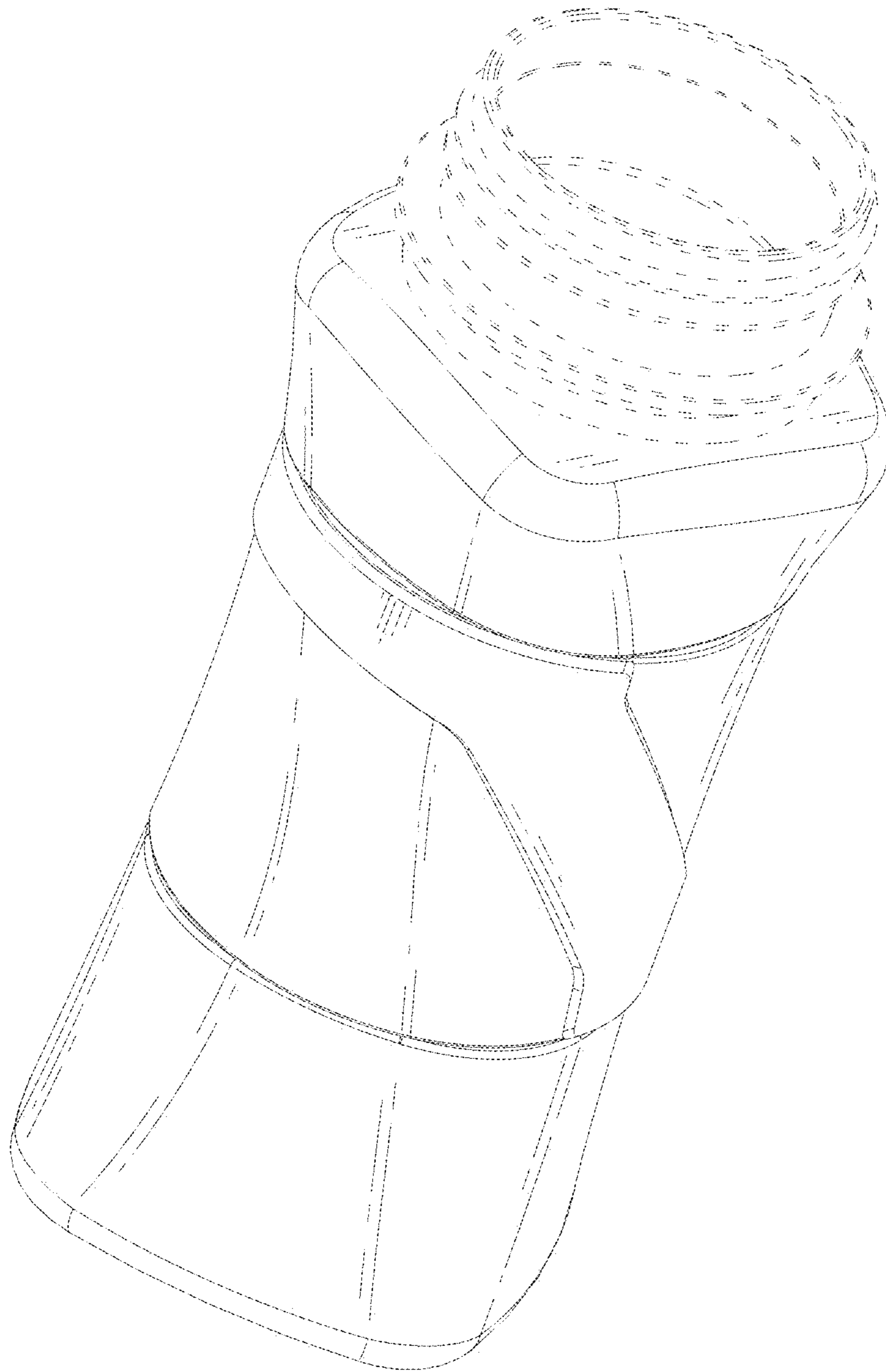


Fig. 7

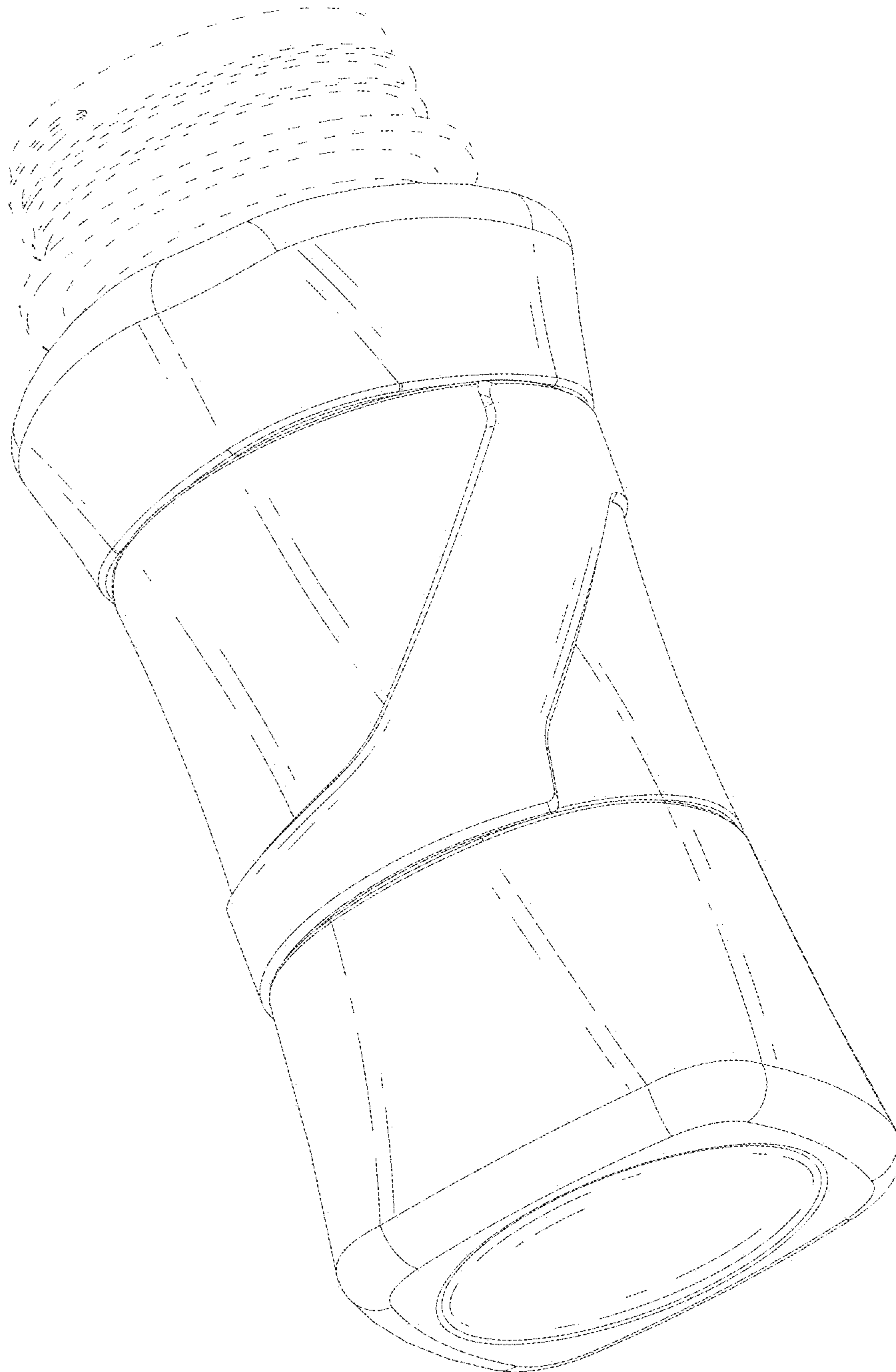


Fig. 8