



US00D887212S

(12) **United States Design Patent**
Wang

(10) **Patent No.:** **US D887,212 S**

(45) **Date of Patent:** **** Jun. 16, 2020**

- (54) **ONE GALLON WATER BOTTLE**
- (71) Applicant: **Qi Wang**, Jiangxi (CN)
- (72) Inventor: **Qi Wang**, Jiangxi (CN)
- (73) Assignee: **SHEN ZHEN QUICK FIT PLASTIC CO., LTD**, Shen Zhen (CN)

D747,146 S *	1/2016	Struckmeier	D7/510
D805,846 S *	12/2017	Kirkpatrick	D7/510
D838,598 S *	1/2019	Melkonian	D9/531
D856,085 S	8/2019	Archer		
D871,845 S *	1/2020	Huang	D7/510
D873,145 S	1/2020	Hamgeri		
D881,647 S *	4/2020	Wang	D7/510

(**) Term: **15 Years**

(21) Appl. No.: **29/659,009**

(22) Filed: **Aug. 6, 2018**

(51) **LOC (12) Cl.** **07-01**

(52) **U.S. Cl.**
USPC **D7/511; D7/532; D7/536; D9/531**

(58) **Field of Classification Search**
USPC D7/507, 509, 510, 511, 529, 531, 532,
D7/523, 533, 534, 535, 536, 392.1, 296.1,
D7/396.2; D9/531, 503, 516, 517, 435;
D3/202

CPC A47G 19/22; A47G 19/2288; A47G
19/2205; A47G 19/2266; A45F 3/16

See application file for complete search history.

(56) **References Cited**

U.S. PATENT DOCUMENTS

D476,850 S *	7/2003	Featherston	D7/510
D504,319 S *	4/2005	Crawford	D9/531
D529,339 S *	10/2006	Carreno	D7/511

OTHER PUBLICATIONS

<https://www.amazon.com/dp/B07C4WLRPL?ascsubtag=%5B%5Ddst%5Bp%5Dcj1p8e94f00qjdyefa49ds76%5Bi%5DIgPQ5G&tag=thestrategistsite-20&th=1> BuildLife Bottle (Year: 2018).*

* cited by examiner

Primary Examiner — Jae Liang

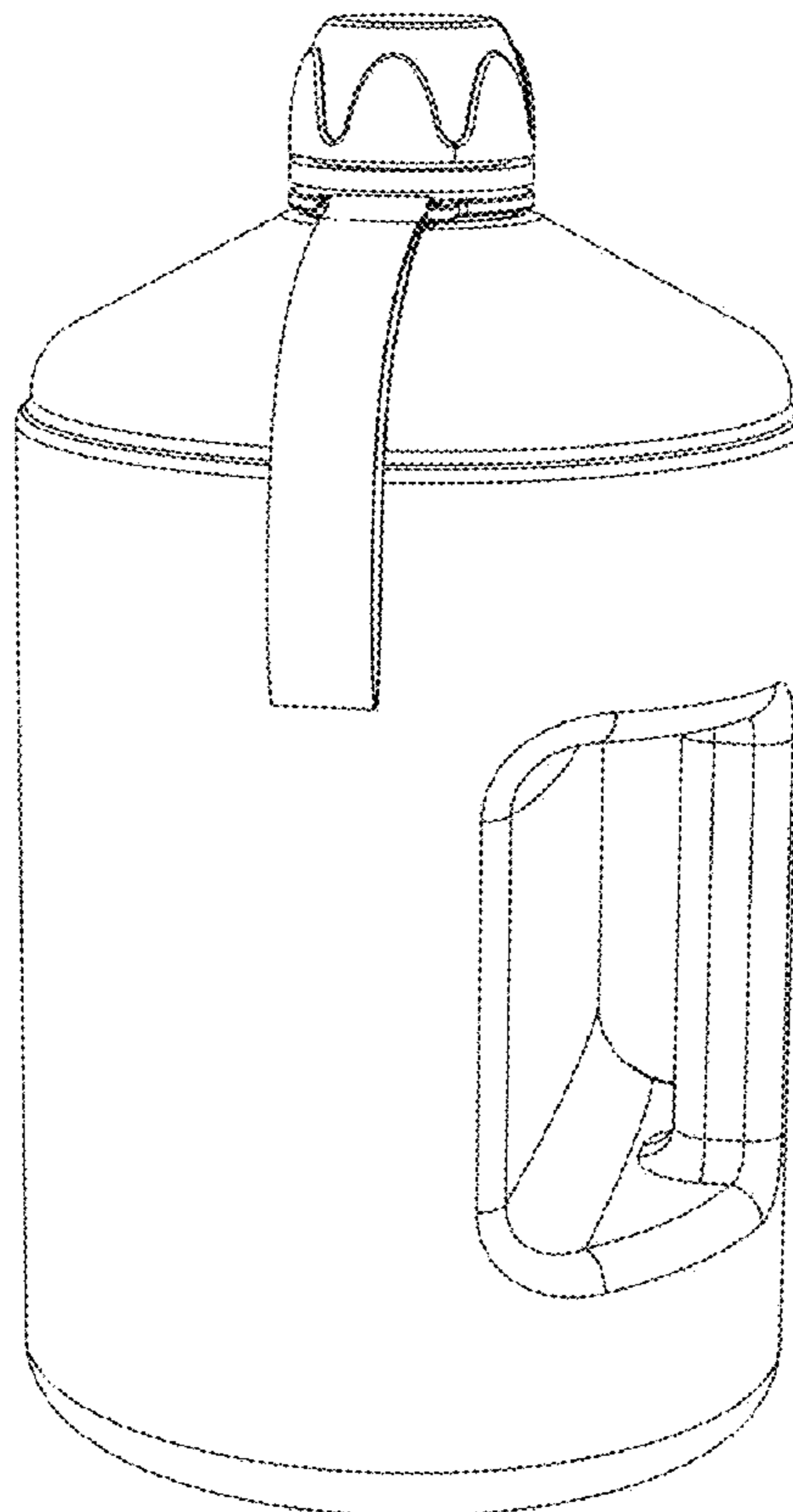
(57) **CLAIM**

The ornamental design for an one gallon water bottle, as shown and described.

DESCRIPTION

FIG. 1 is a perspective view of an one gallon water bottle showing my new design;
FIG. 2 is a front elevational view thereof;
FIG. 3 is a rear elevational view thereof;
FIG. 4 is a left side elevational view thereof;
FIG. 5 is a right side elevational view thereof;
FIG. 6 is a top plan view thereof; and
FIG. 7 is a bottom plan view thereof.
FIG. 8 is a perspective view thereof; and,
FIG. 9 is another perspective view thereof.

1 Claim, 9 Drawing Sheets



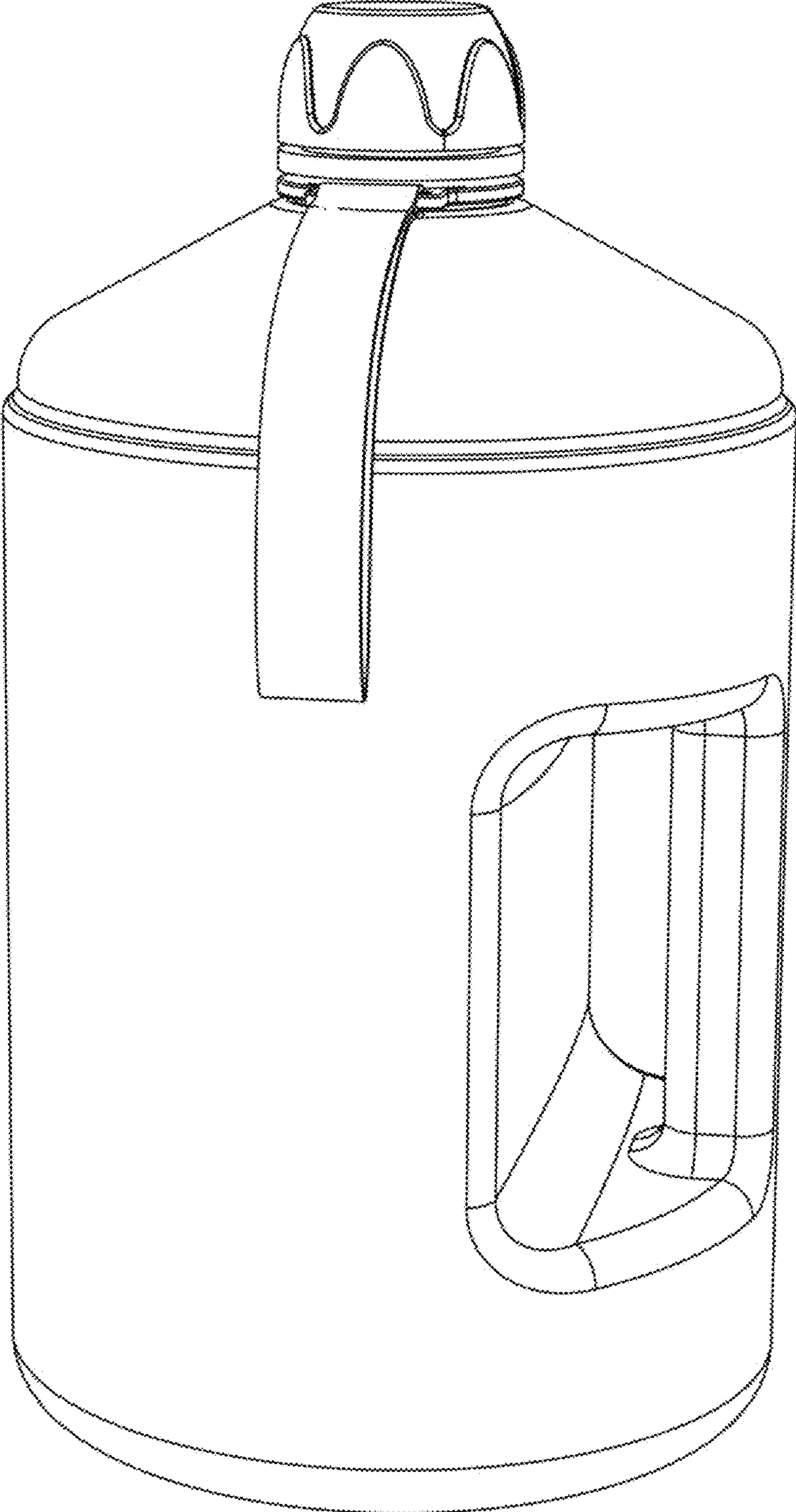


FIG.1

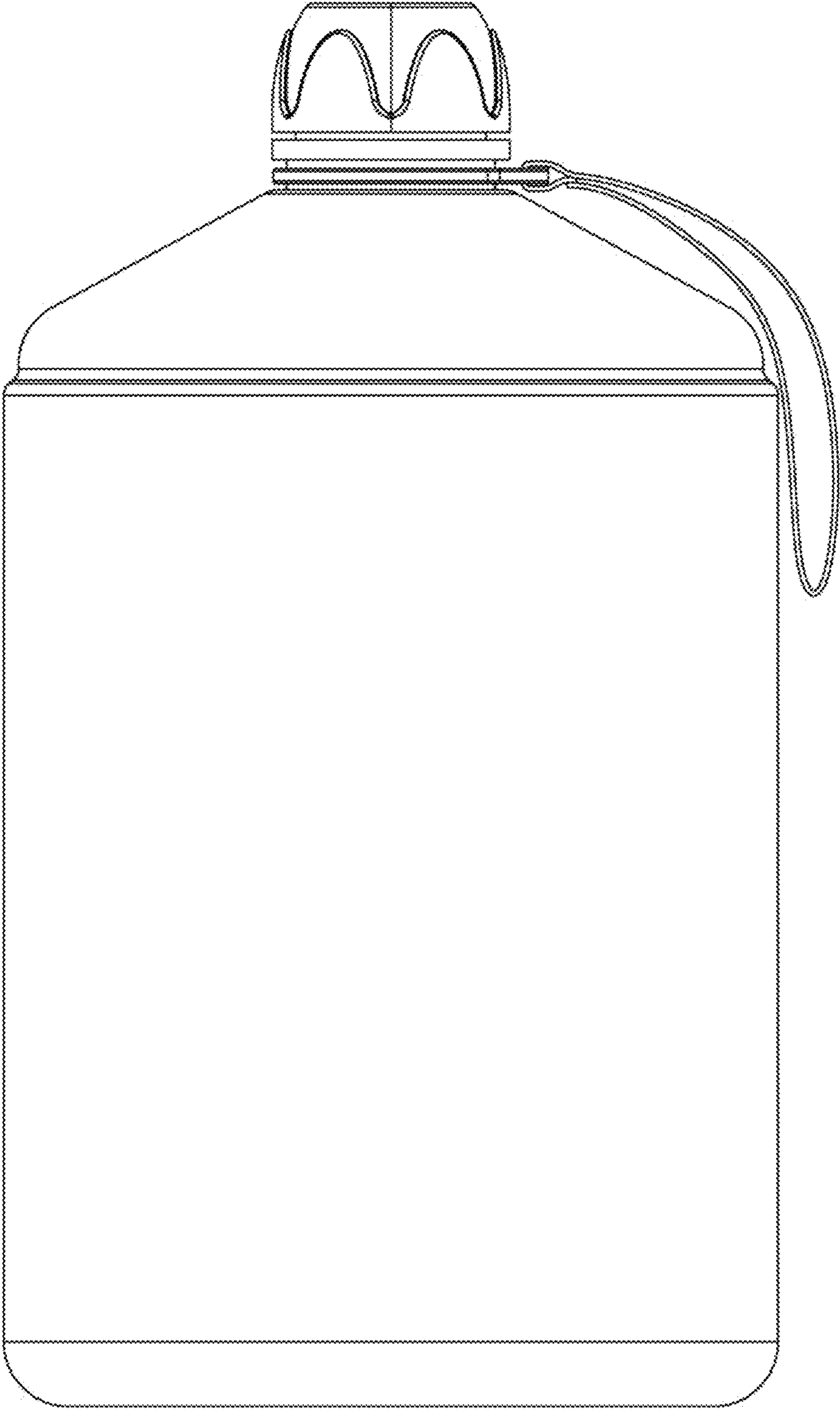


FIG.2

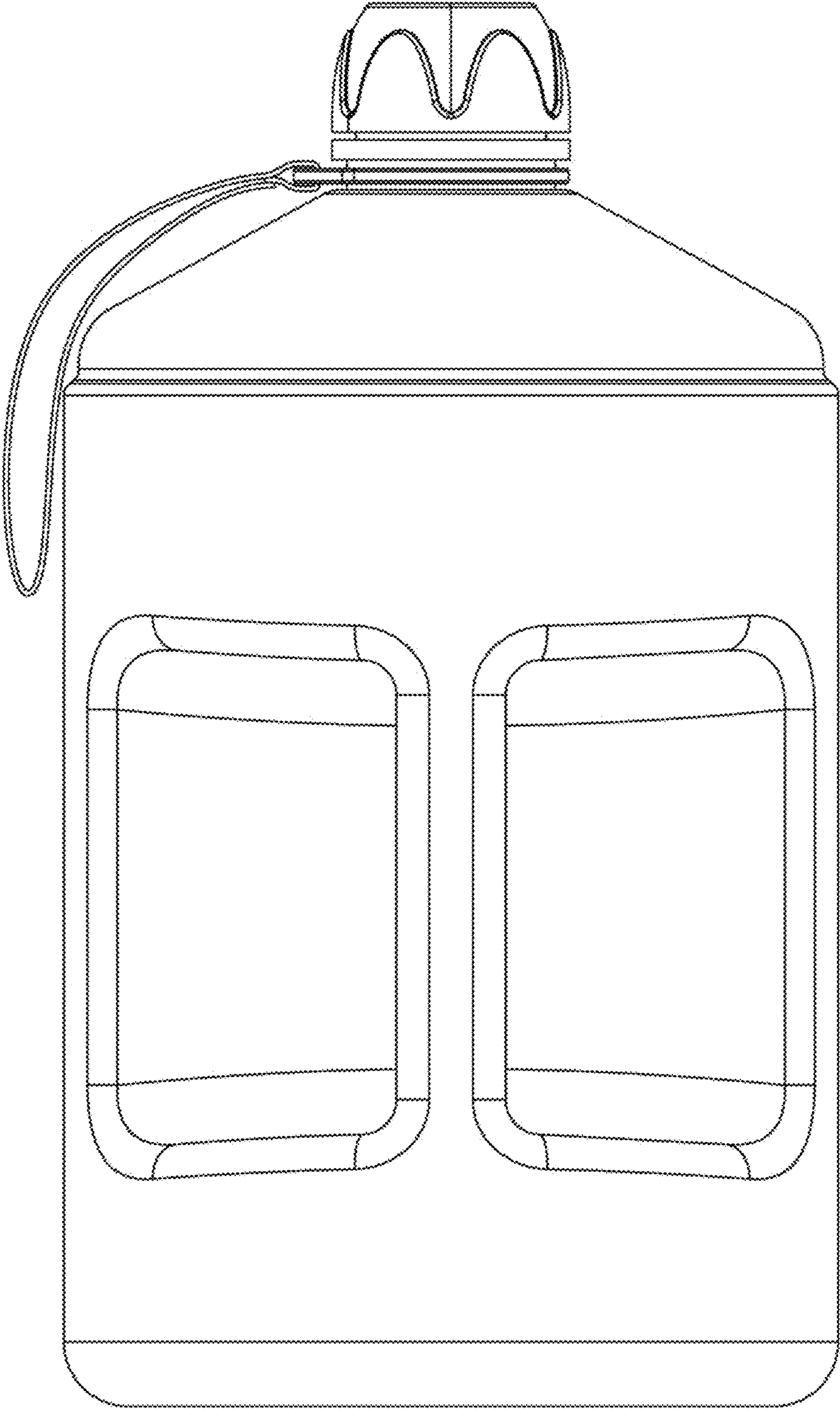


FIG.3

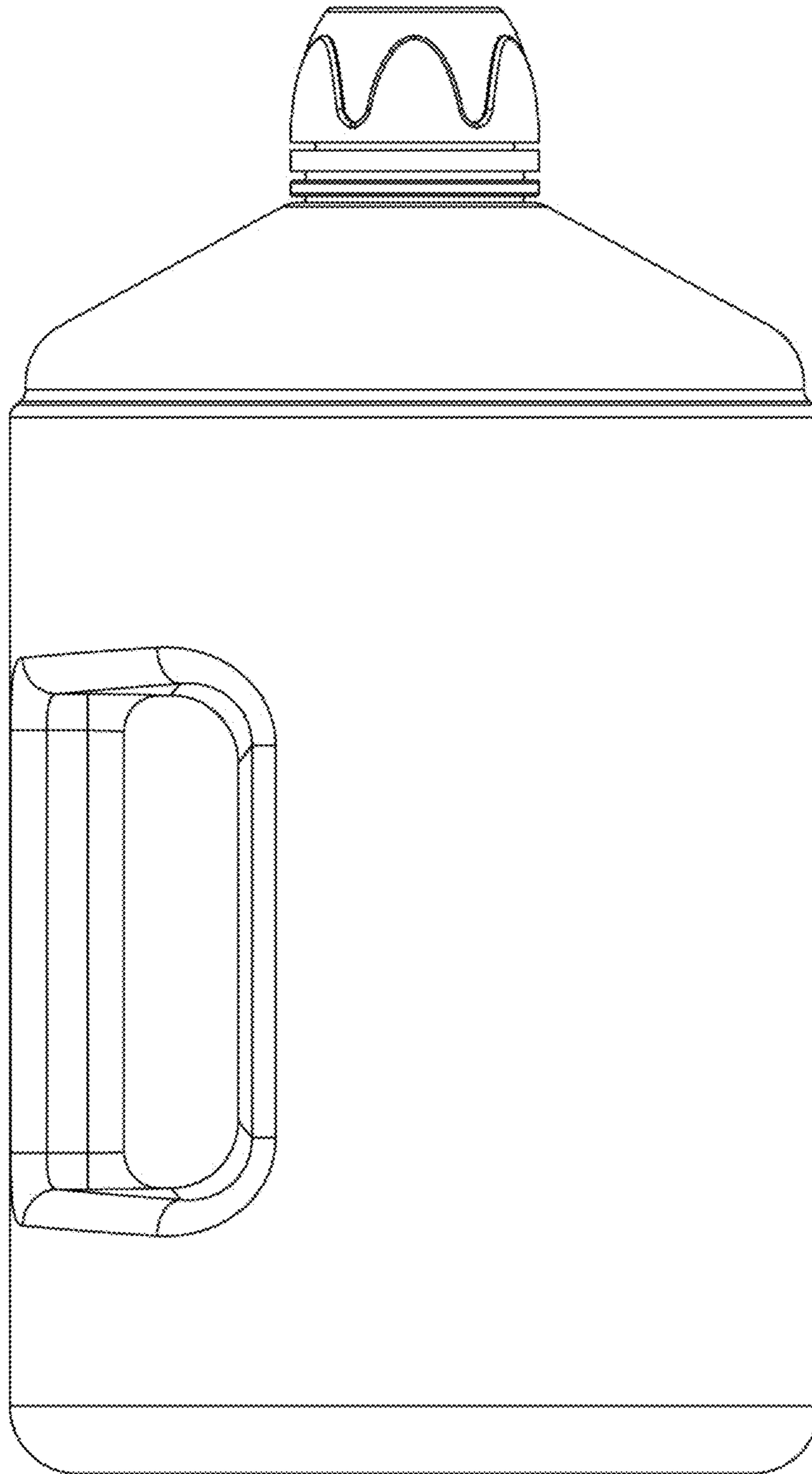


FIG.4

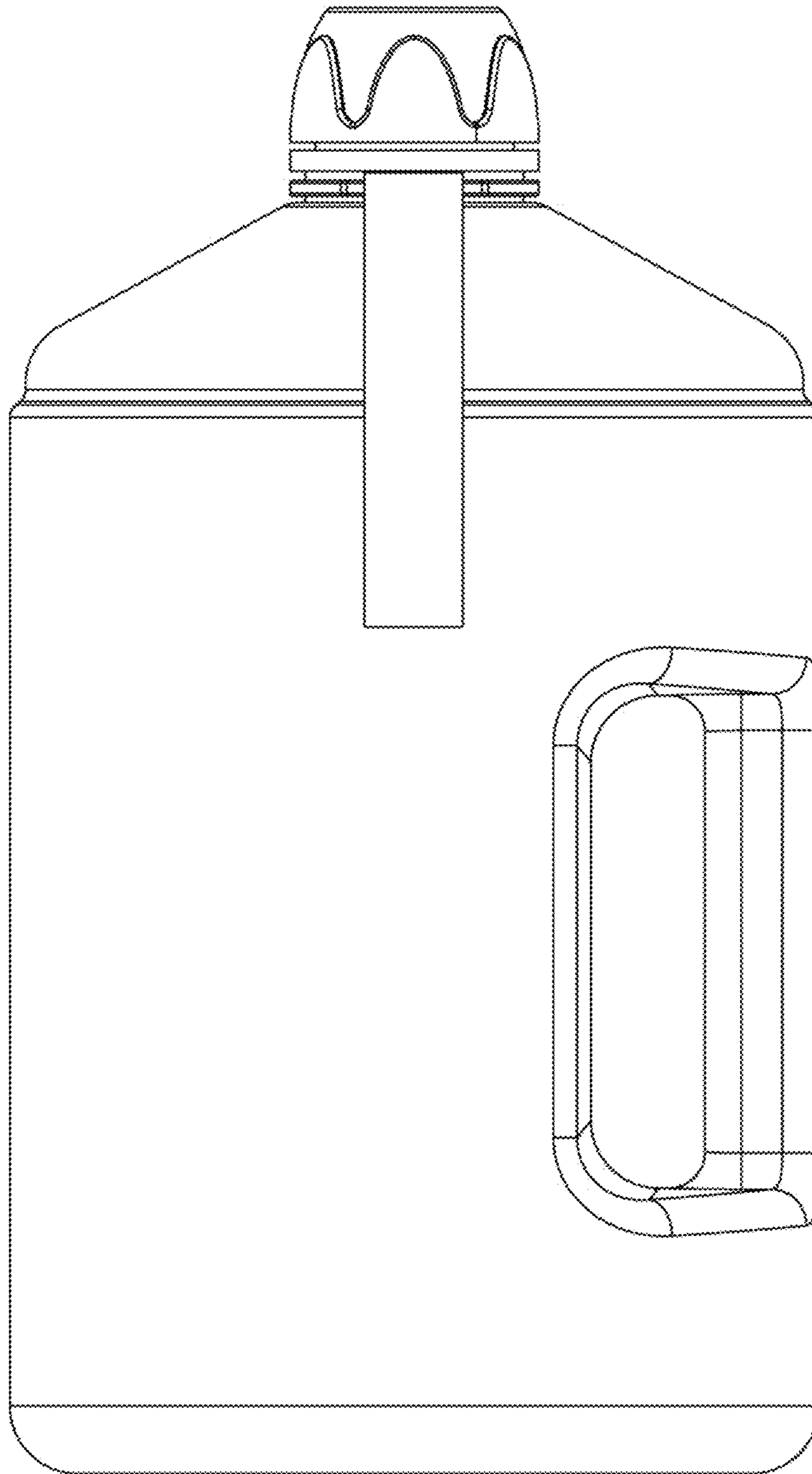


FIG.5

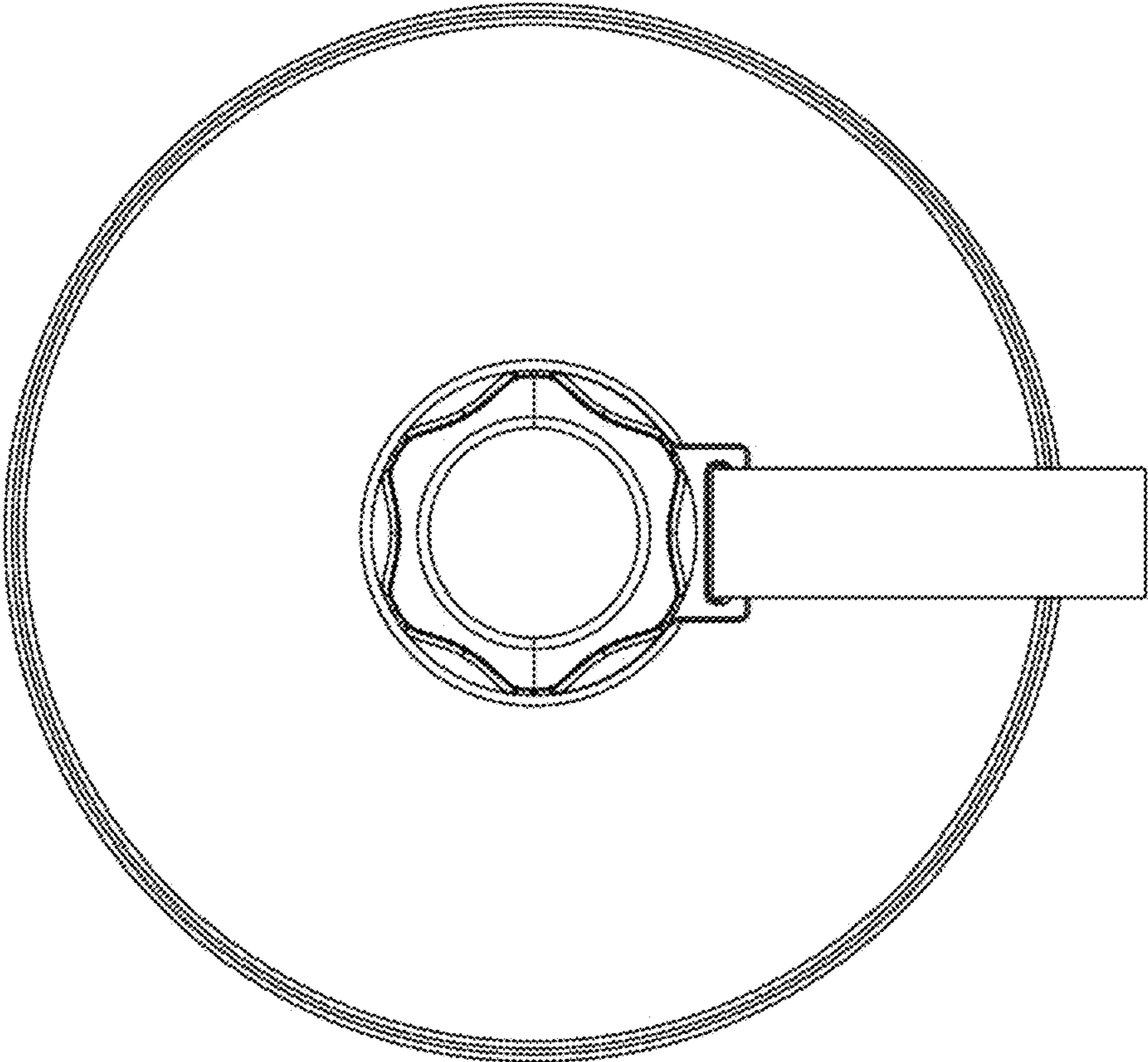


FIG.6

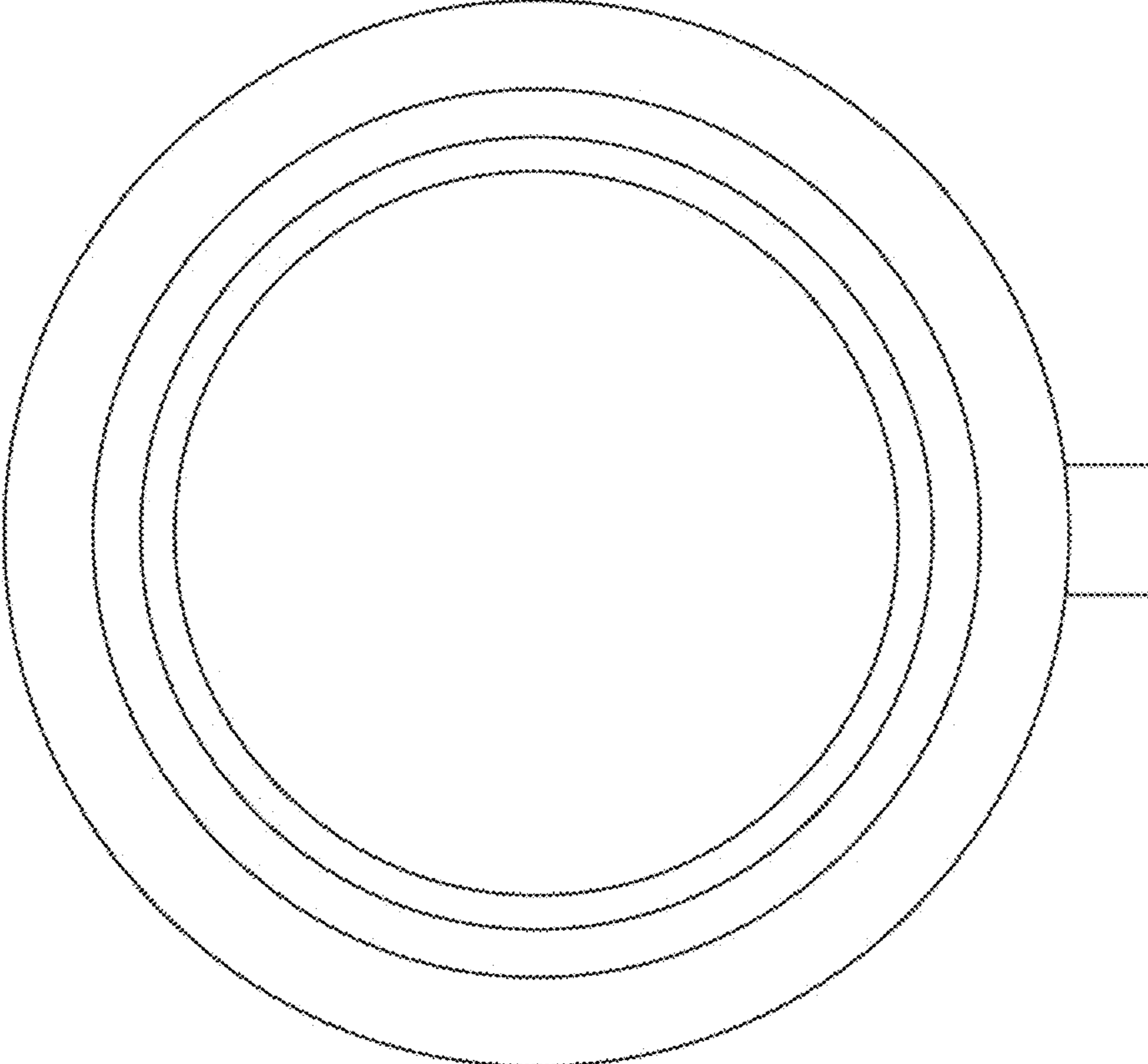


FIG.7

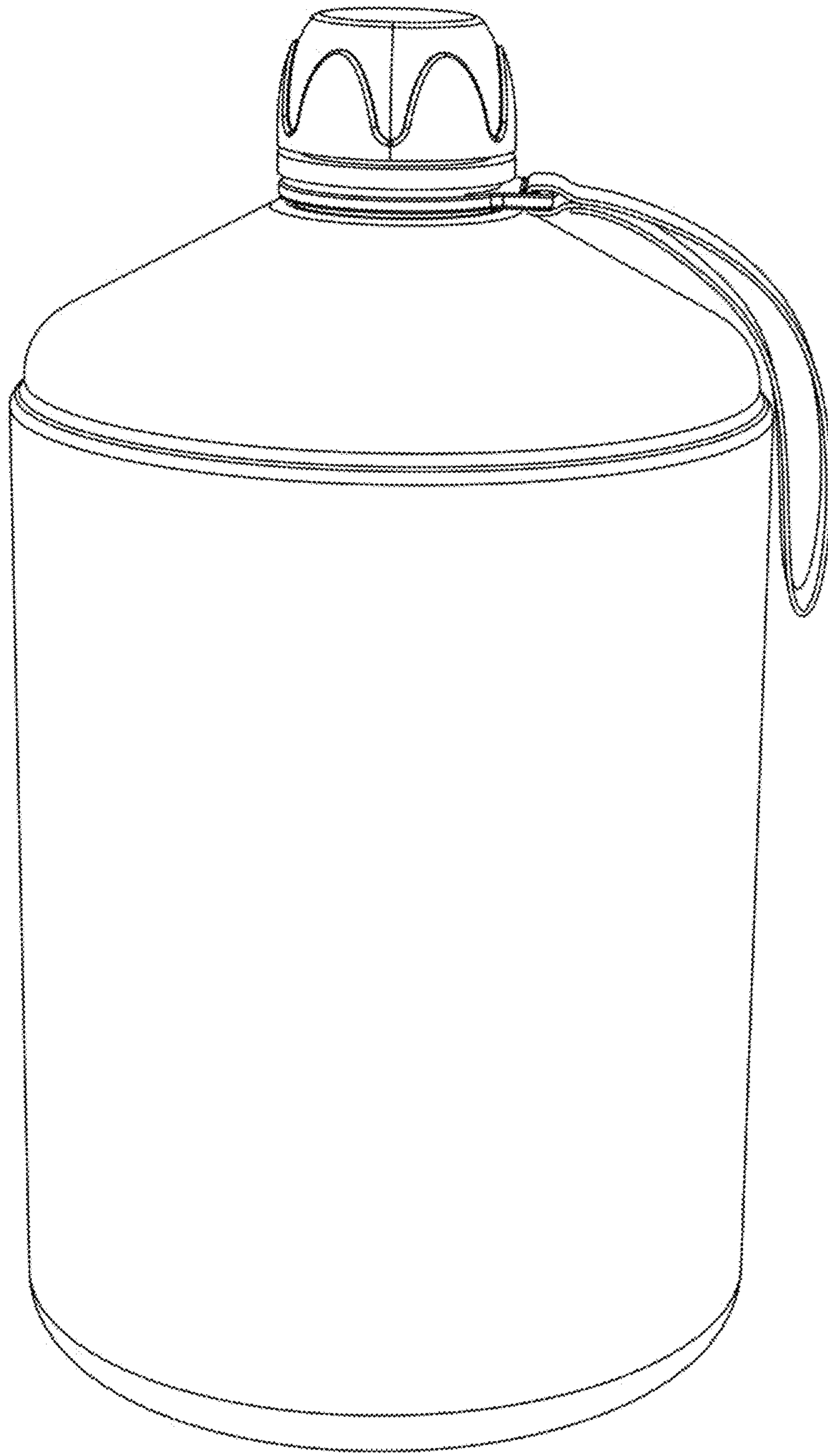


FIG.8

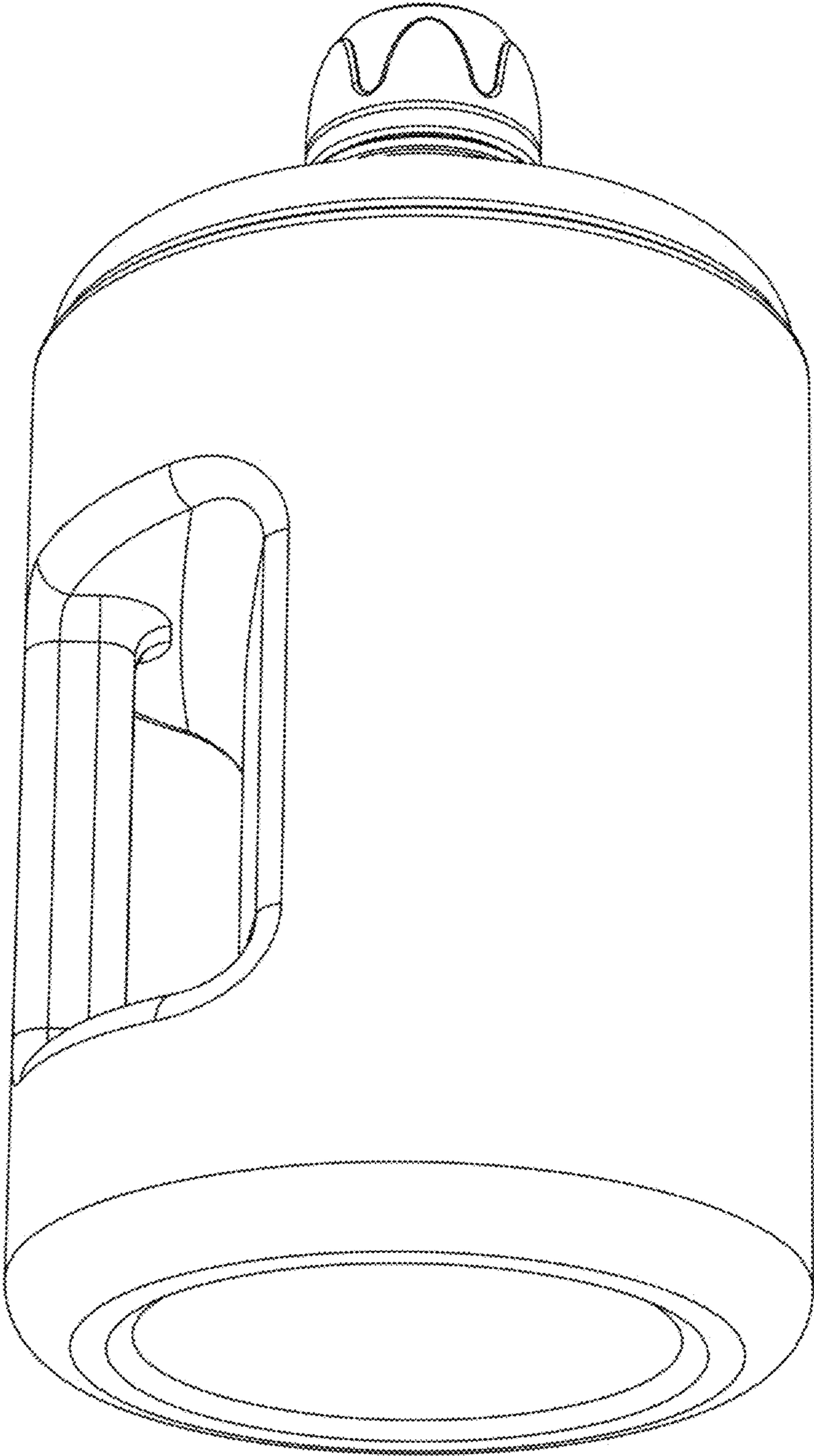


FIG.9