



US00D887210S

(12) **United States Design Patent**
Fung et al.

(10) **Patent No.:** **US D887,210 S**
(45) **Date of Patent:** **** Jun. 16, 2020**

(54) **CONTAINER FOR KITCHEN APPLIANCE**

(71) Applicant: **TecPal Ltd.**, Wanchai (HK)

(72) Inventors: **Mark Fung**, New Territories (HK);
Lars Junker, Kowloon (HK)

(73) Assignee: **TecPal Ltd.**, Wanchai (HK)

(**) Term: **15 Years**

(21) Appl. No.: **29/680,742**

(22) Filed: **Feb. 19, 2019**

(30) **Foreign Application Priority Data**

Nov. 8, 2018 (EM) 005820669

(51) **LOC (12) Cl.** **31-00**

(52) **U.S. Cl.**
USPC **D7/413; D7/376; D7/378; D7/384;**
D7/412

(58) **Field of Classification Search**

USPC **D7/319, 355, 372, 376-386, 412-413,**
D7/602, 629, 665-666, 669, 679,
D7/693-694

CPC **A21C 1/02; A21C 1/04; A23N 1/00; A23N**
1/02; A47J 43/04; A47J 43/25; A47J
43/27; A47J 43/042; A47J 43/044; A47J
43/046; A47J 43/075; A47J 43/0722;
A47J 43/0727; A47J 43/087; B01F 3/00;
B01F 3/0807; B01F 3/0853; B01F
13/0059; B01F 13/0064; B02C 1/08;
B02C 2/04; B02C 4/42; B02C 4/142;
B02C 4/143; B02C 4/423; B02C 13/1835;
B28C 5/10; B28C 5/12; B28C 5/14;
B28C 5/16

See application file for complete search history.

(56) **References Cited**

U.S. PATENT DOCUMENTS

D226,124 S *	1/1973	Roberts	D7/379
D261,719 S *	11/1981	Gibiec	D7/355
D323,763 S *	2/1992	Barrault	D7/376
5,875,706 A *	3/1999	Borger	A47J 43/087
			241/101.01
D445,637 S *	7/2001	Feil	D7/384
D738,685 S *	9/2015	Sands	D7/376
D750,936 S *	3/2016	Kemker	D7/376
D766,039 S *	9/2016	Tu	D7/376
D828,092 S *	9/2018	Dietz	D7/412
D834,363 S *	11/2018	Dash	D7/319
D843,776 S *	3/2019	Sandberg	D7/378

* cited by examiner

Primary Examiner — Ricky Pham

(74) *Attorney, Agent, or Firm* — Berenato & White, LLC

(57) **CLAIM**

The ornamental design for a container for kitchen appliance, as shown and described.

DESCRIPTION

FIG. 1 is a perspective view of our container for kitchen appliance;

FIG. 2 is a right side view;

FIG. 3 is a left side view;

FIG. 4 is a front view;

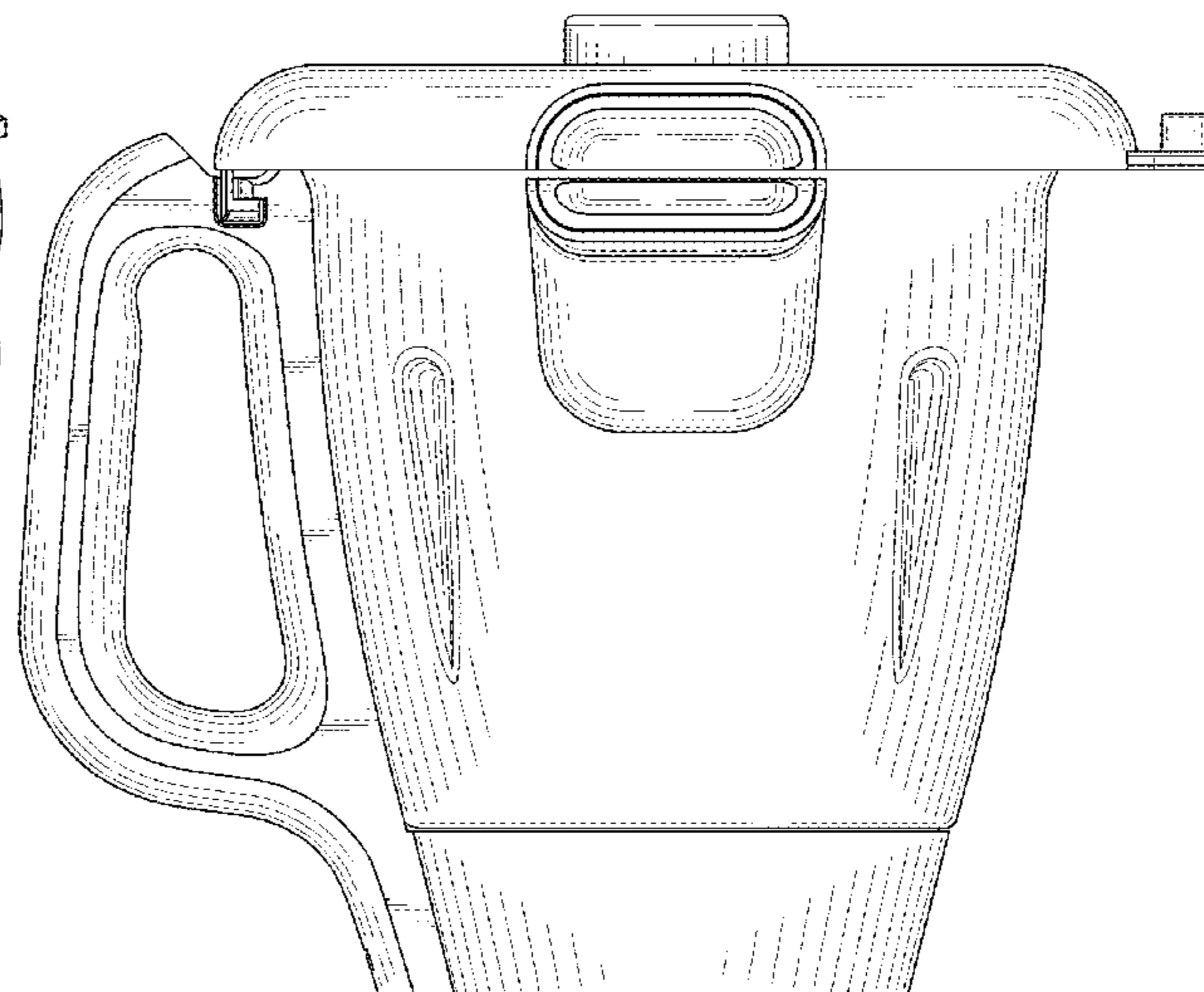
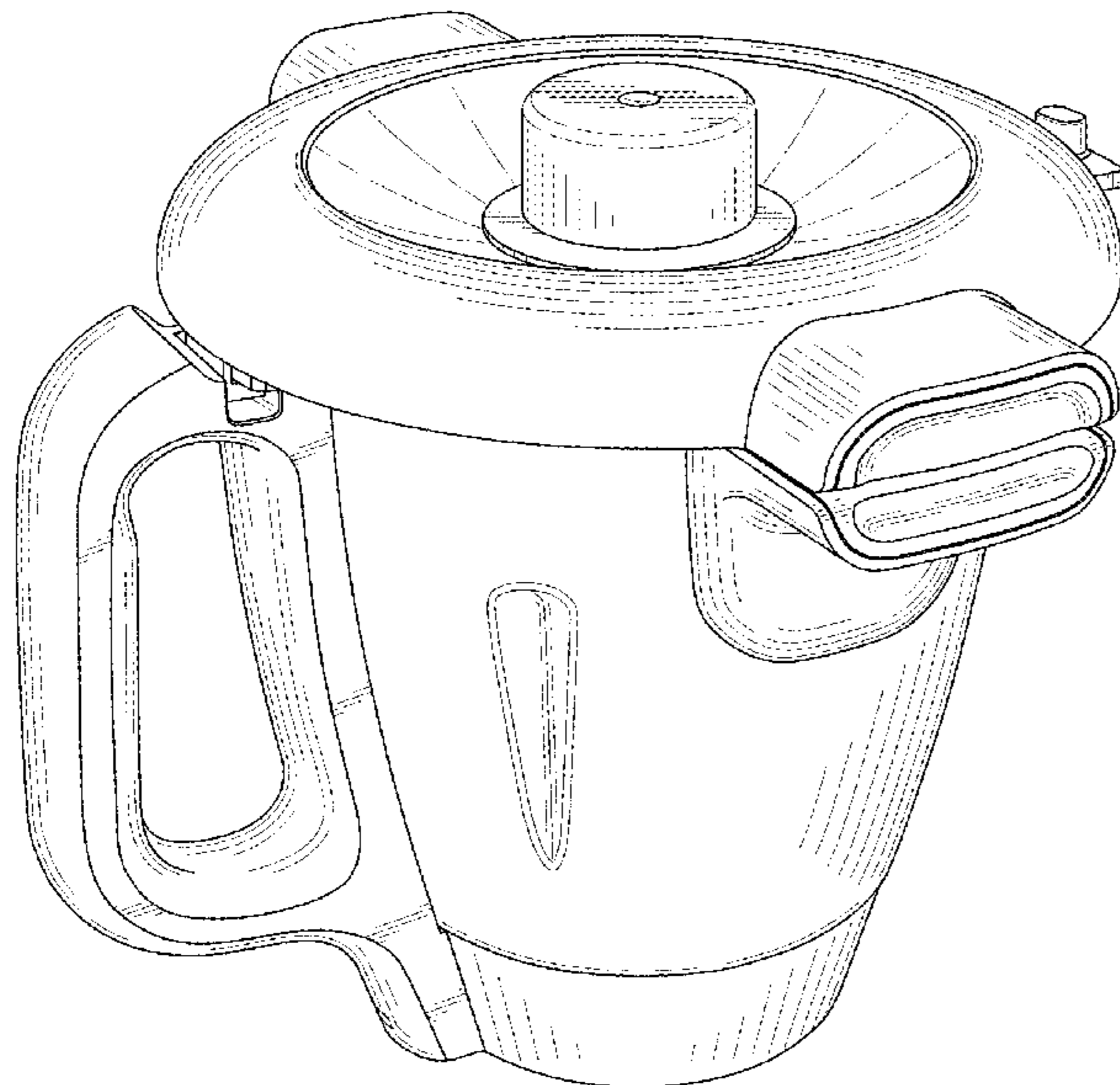
FIG. 5 is a rear view;

FIG. 6 is a top view; and,

FIG. 7 is a bottom view.

Portions shown in dashed lines form no part of the claimed design.

1 Claim, 7 Drawing Sheets



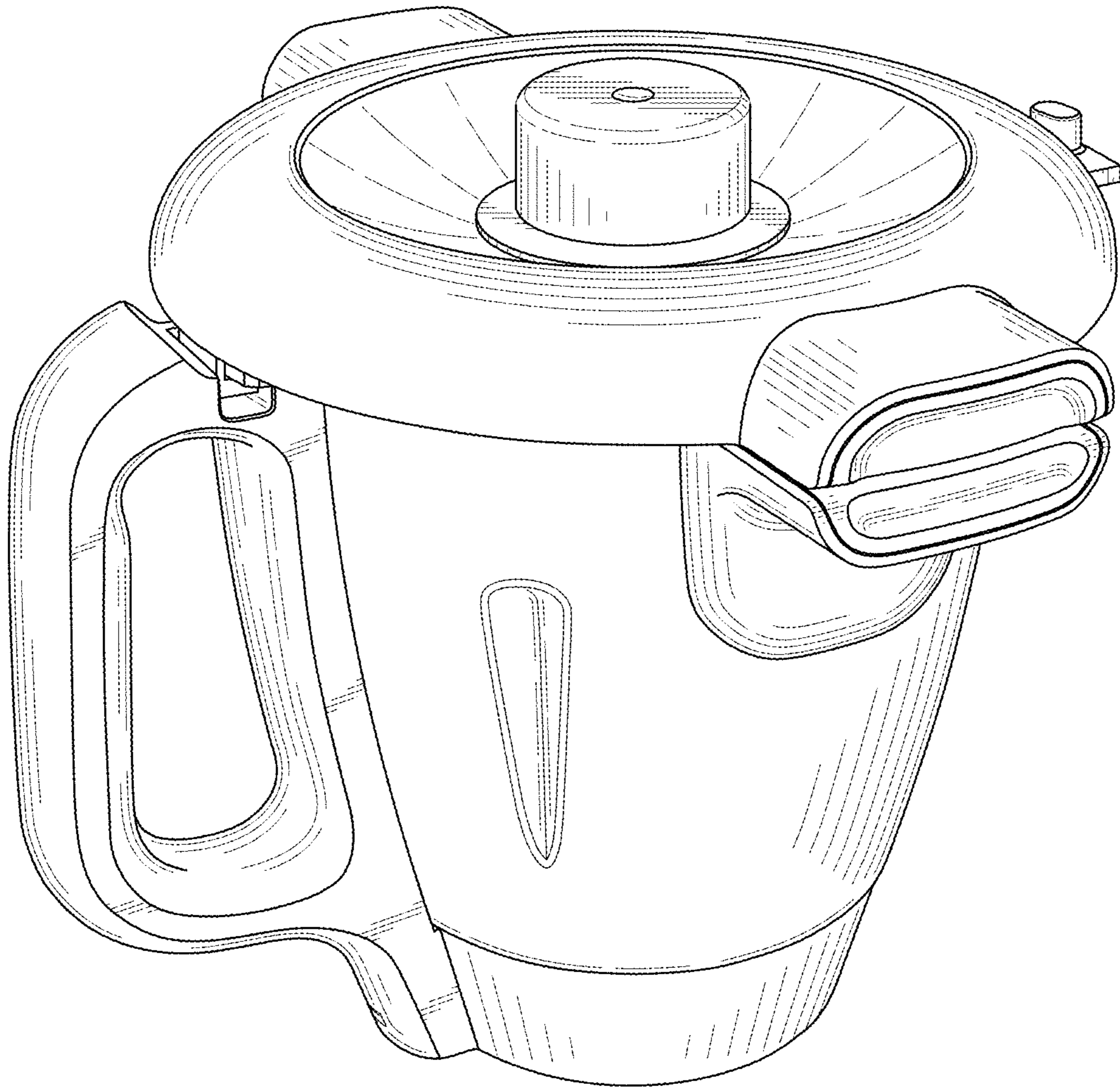


FIG. 1

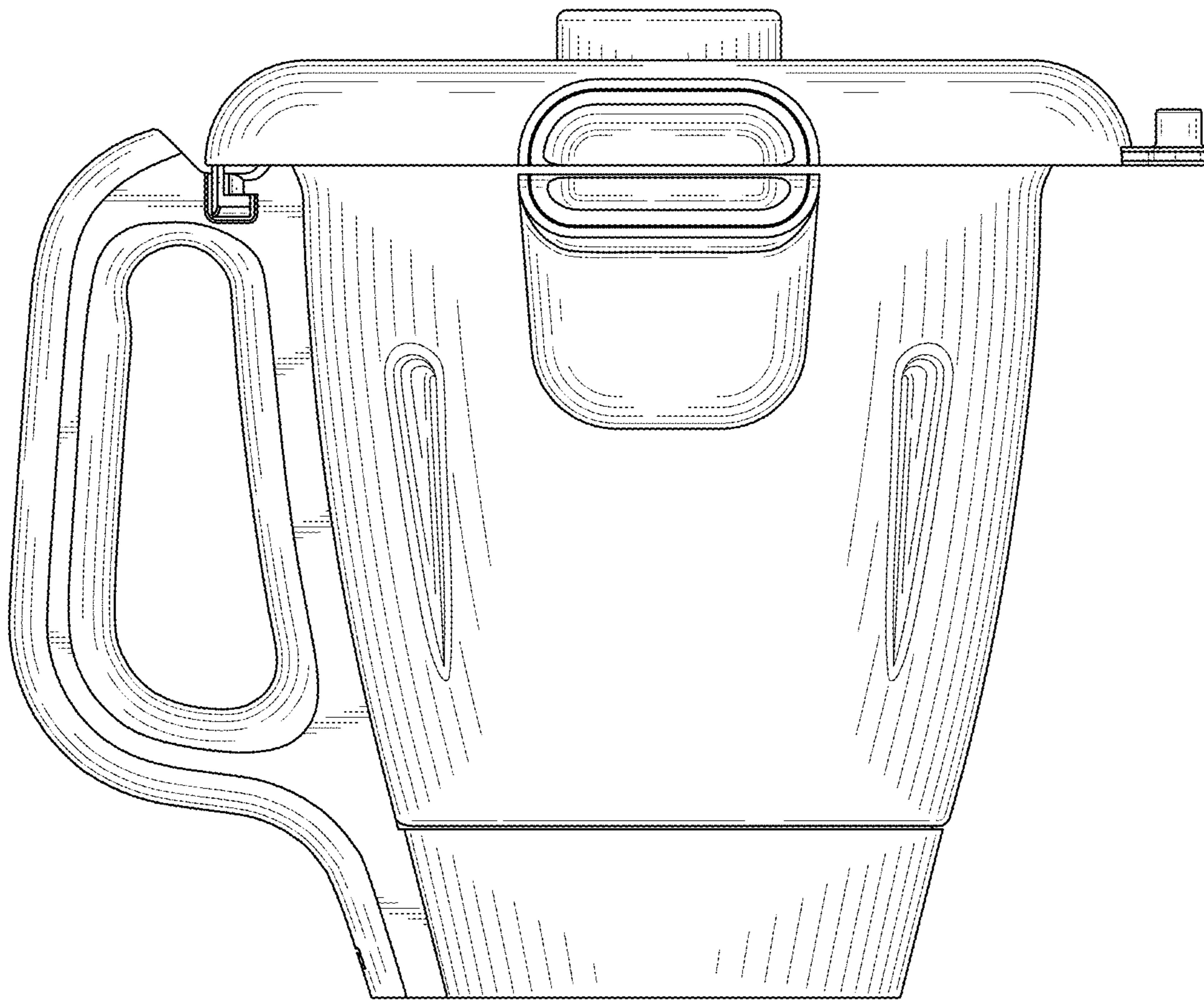


FIG. 2

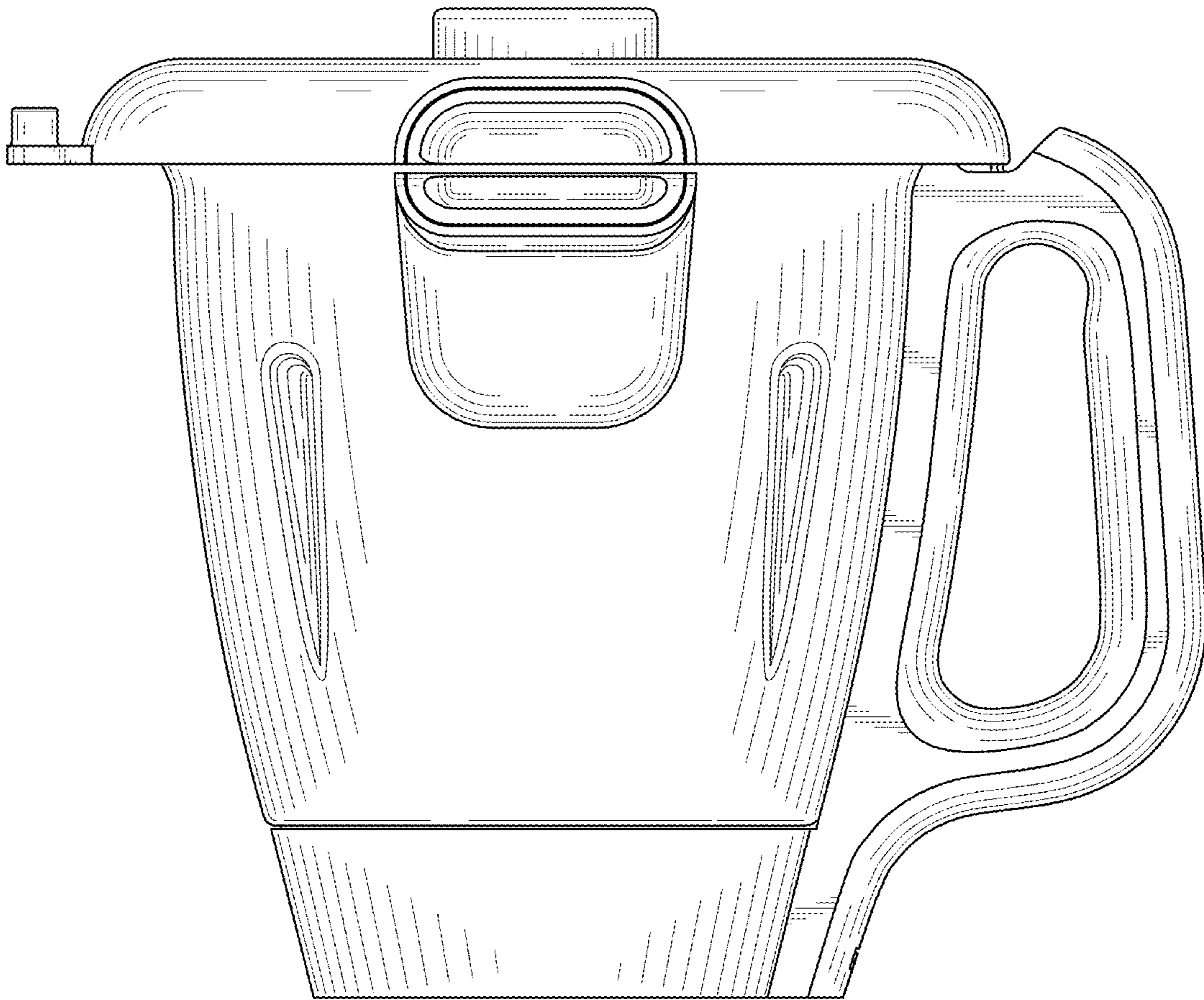


FIG. 3

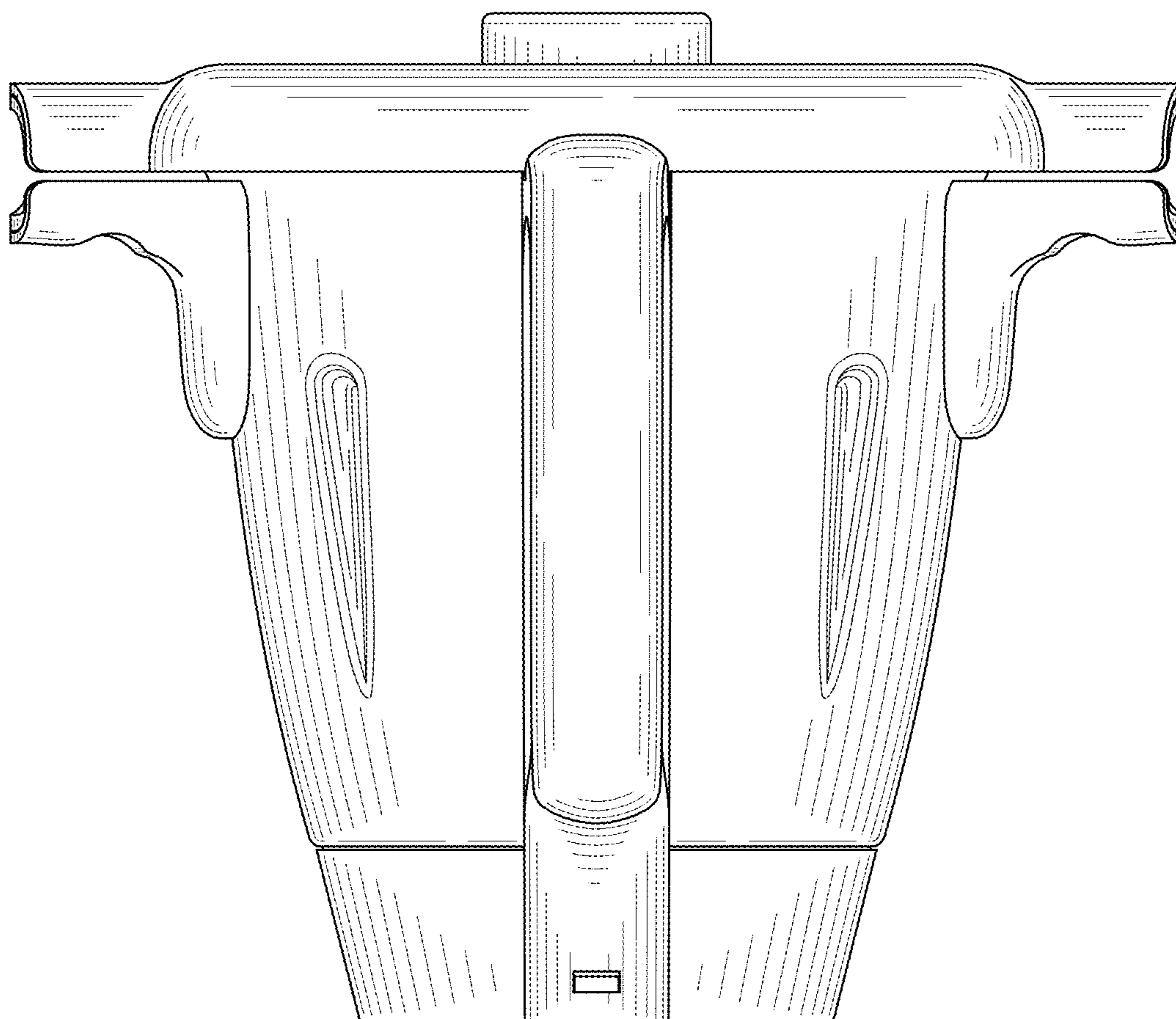


FIG. 4

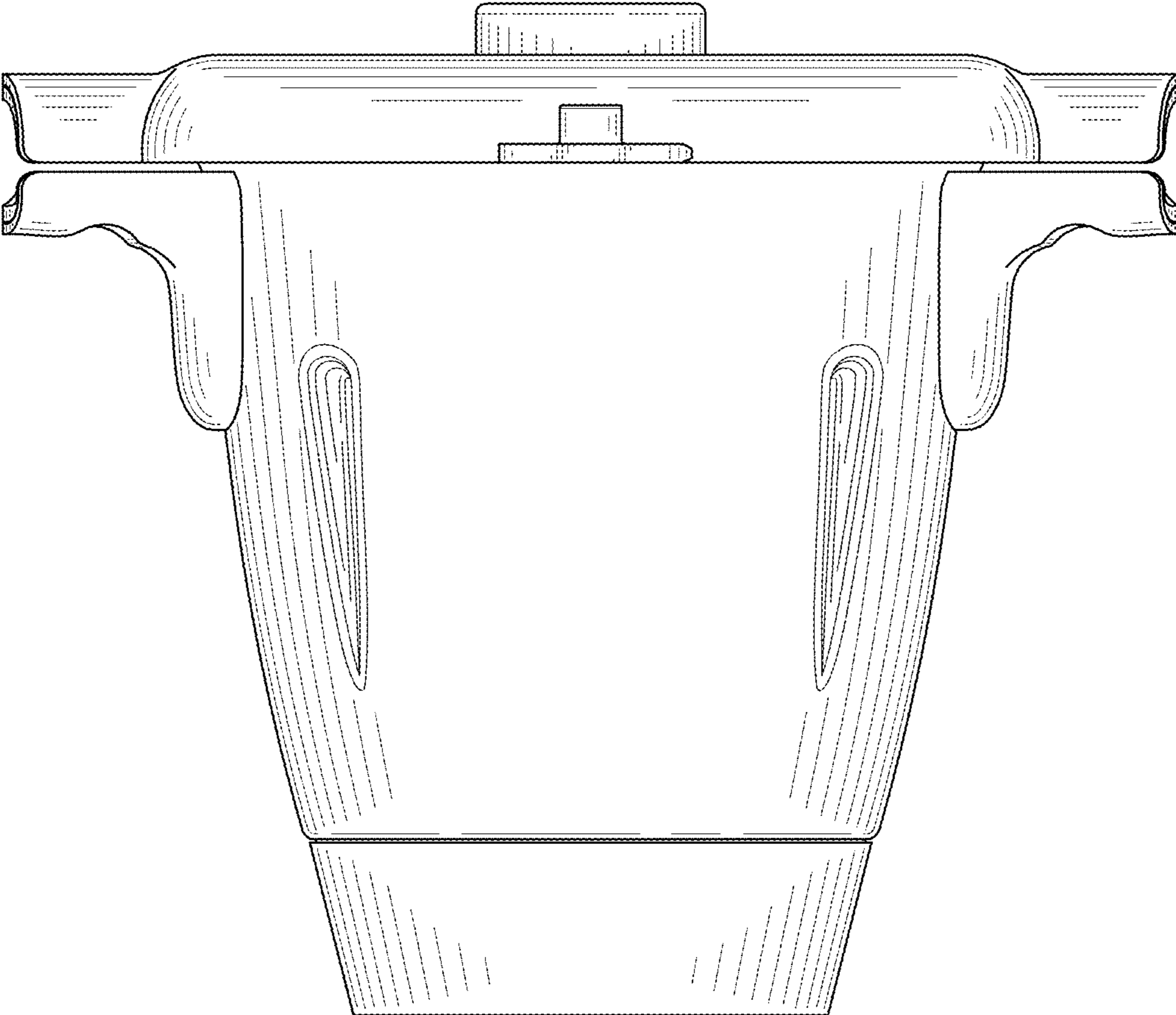


FIG. 5

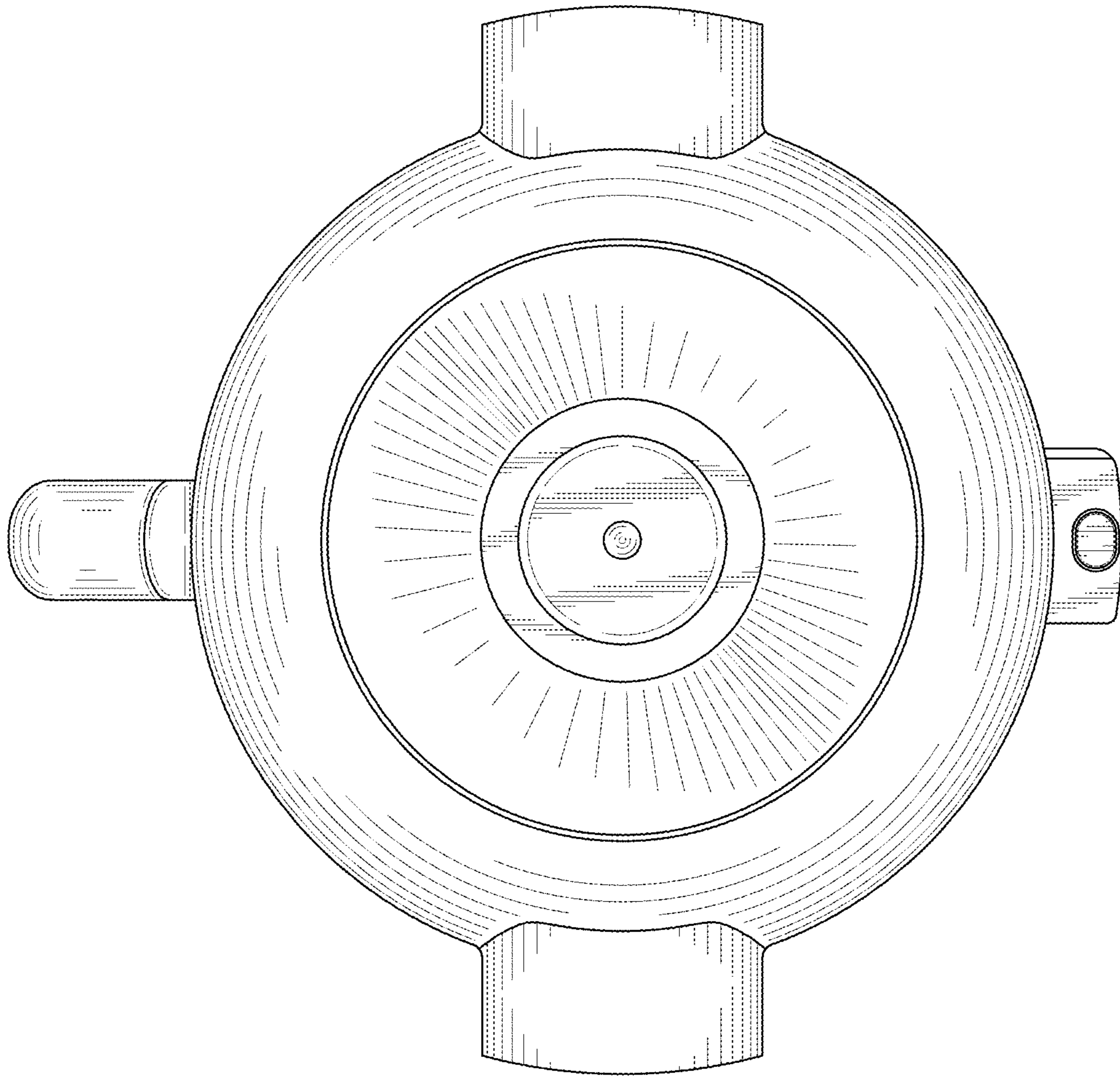


FIG. 6

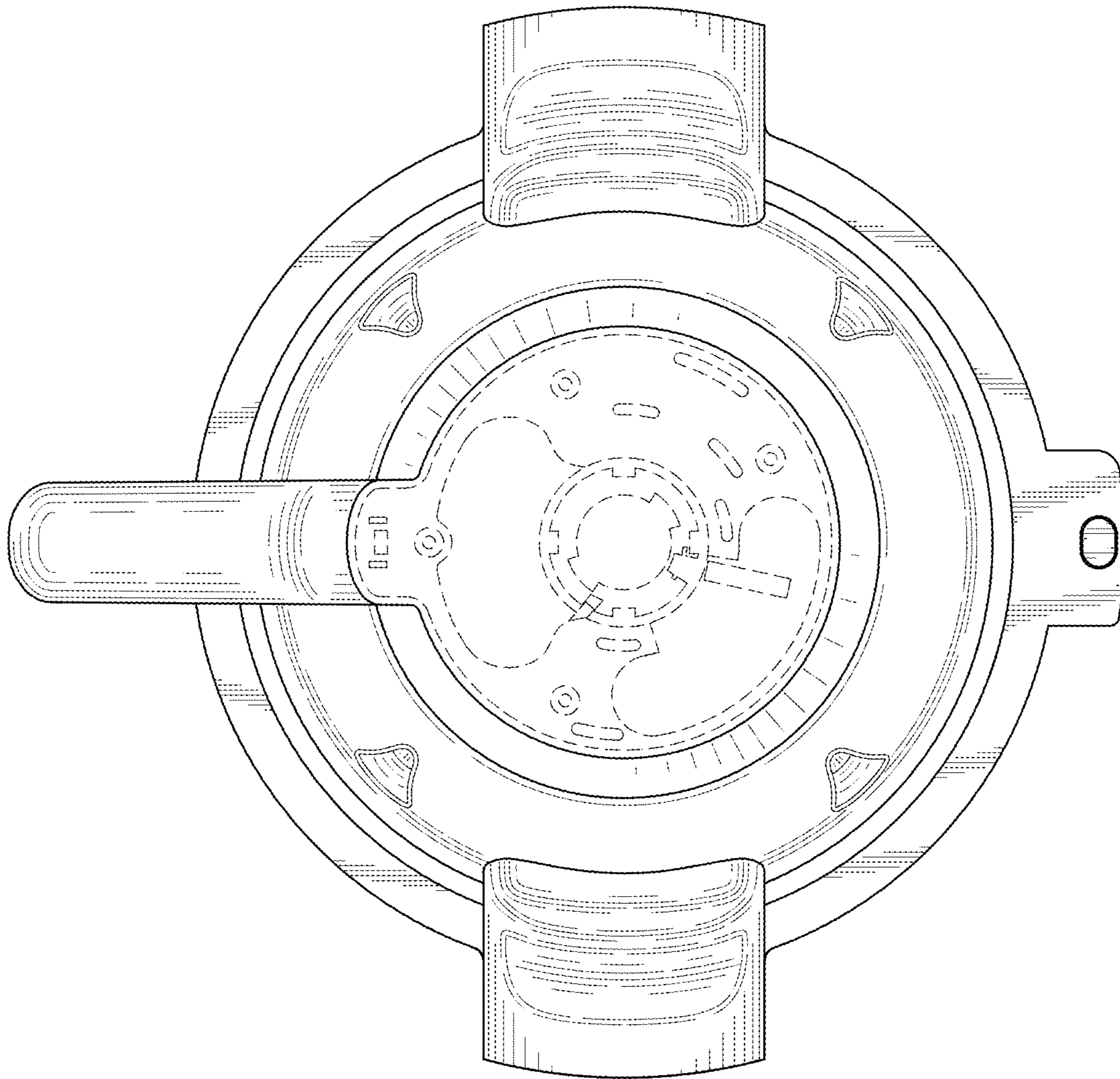


FIG. 7