



US00D887209S

(12) **United States Design Patent** (10) **Patent No.:** **US D887,209 S**
Heynen et al. (45) **Date of Patent:** **** Jun. 16, 2020**

(54) **ACCESSORY FOR MACHINERY AND APPARATUS FOR THE PREPARATION OF FOOD AND DRINK**

(71) Applicant: **Vorwerk & Co. Interholding GmbH**, Wuppertal (DE)

(72) Inventors: **Andreas Heynen**, Radevormwald (DE); **Christoph Buggeln**, Düsseldorf (DE); **Felix Thies**, Wuppertal (DE)

(73) Assignee: **Vorwerk & Co. Interholding GmbH**, Wuppertal (DE)

(**) Term: **15 Years**

(21) Appl. No.: **29/680,818**

(22) Filed: **Feb. 20, 2019**

(30) **Foreign Application Priority Data**

Aug. 31, 2018 (EM) 005625324-0001

(51) **LOC (12) Cl.** **31-00**

(52) **U.S. Cl.**
USPC **D7/412**

(58) **Field of Classification Search**

USPC D7/372, 376–386, 412–413, 602, 629, D7/665–666, 669, 679, 693–694; D8/20; D15/7, 126; D23/379, 413
 CPC A21C 1/02; A21C 1/04; A23N 1/00; A23N 1/02; A47J 43/04; A47J 43/25; A47J 43/27; A47J 43/042; A47J 43/044; A47J 43/046; A47J 43/075; A47J 43/0705; A47J 43/0722; A47J 43/0727; B01F 3/00; B01F 3/0807; B01F 3/0853; B01F 13/0059; B01F 13/0064; B02C 1/08; B02C 2/04; B02C 4/42; B02C 4/142; B02C 4/143; B02C 4/423; B02C 13/1835; B23D 61/025; B24B 23/02; B28C 5/10; B28C 5/12; B28C 5/14; B28C 5/16
 See application file for complete search history.

(56) **References Cited**

U.S. PATENT DOCUMENTS

D293,074 S * 12/1987 Inoue D15/133
 5,960,709 A * 10/1999 Yip A47J 43/0705
 241/199.12
 D443,281 S * 6/2001 Sodergard D15/7
 6,568,383 B2 * 5/2003 Spangenberg B23D 61/025
 125/15
 D483,631 S * 12/2003 Koike D8/20
 D577,807 S * 9/2008 Kenyon D23/379
 D630,721 S * 1/2011 Kenyon D23/379
 D657,623 S * 4/2012 Kern D7/412
 D678,725 S * 3/2013 Sayers et al.
 D699,835 S * 2/2014 Kenyon D23/413
 D701,300 S * 3/2014 Tanabe D23/379

(Continued)

FOREIGN PATENT DOCUMENTS

KR 3008198920000 10/2015

Primary Examiner — Ricky Pham

(74) *Attorney, Agent, or Firm* — Stetina Brunda Garred and Brucker

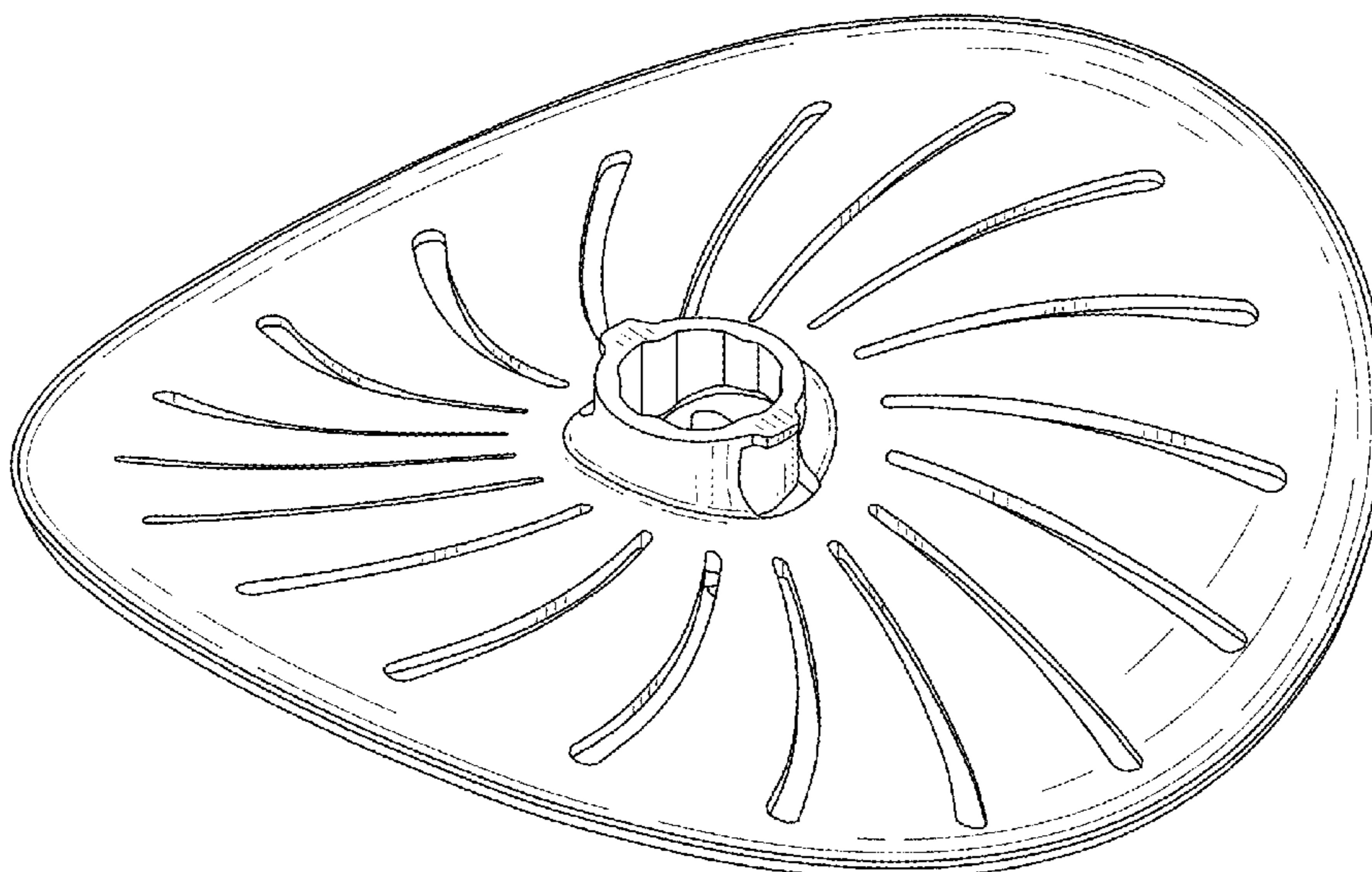
(57) **CLAIM**

The ornamental design for accessory for machinery and apparatus for the preparation of food and drink, as shown and described.

DESCRIPTION

FIG. 1 is a top perspective view of the accessory for machinery and apparatus for the preparation of food and drink showing our new design;
 FIG. 2 is a top view thereof;
 FIG. 3 is a front view of thereof;
 FIG. 4 is a bottom view thereof;
 FIG. 5 is a right side view thereof;
 FIG. 6 is a rear view thereof; and,
 FIG. 7 is a left side view thereof.

1 Claim, 4 Drawing Sheets



(56)

References Cited

U.S. PATENT DOCUMENTS

| | | | |
|-------------------|---------|------------------|-----------------------|
| D737,097 S | 8/2015 | Chan | |
| D741,384 S * | 10/2015 | Norbygaard | D15/126 |
| D824,960 S * | 8/2018 | Geldenhuis | D15/7 |
| 2003/0096566 A1 * | 5/2003 | Fritz | B24B 23/02 451/508 |

* cited by examiner

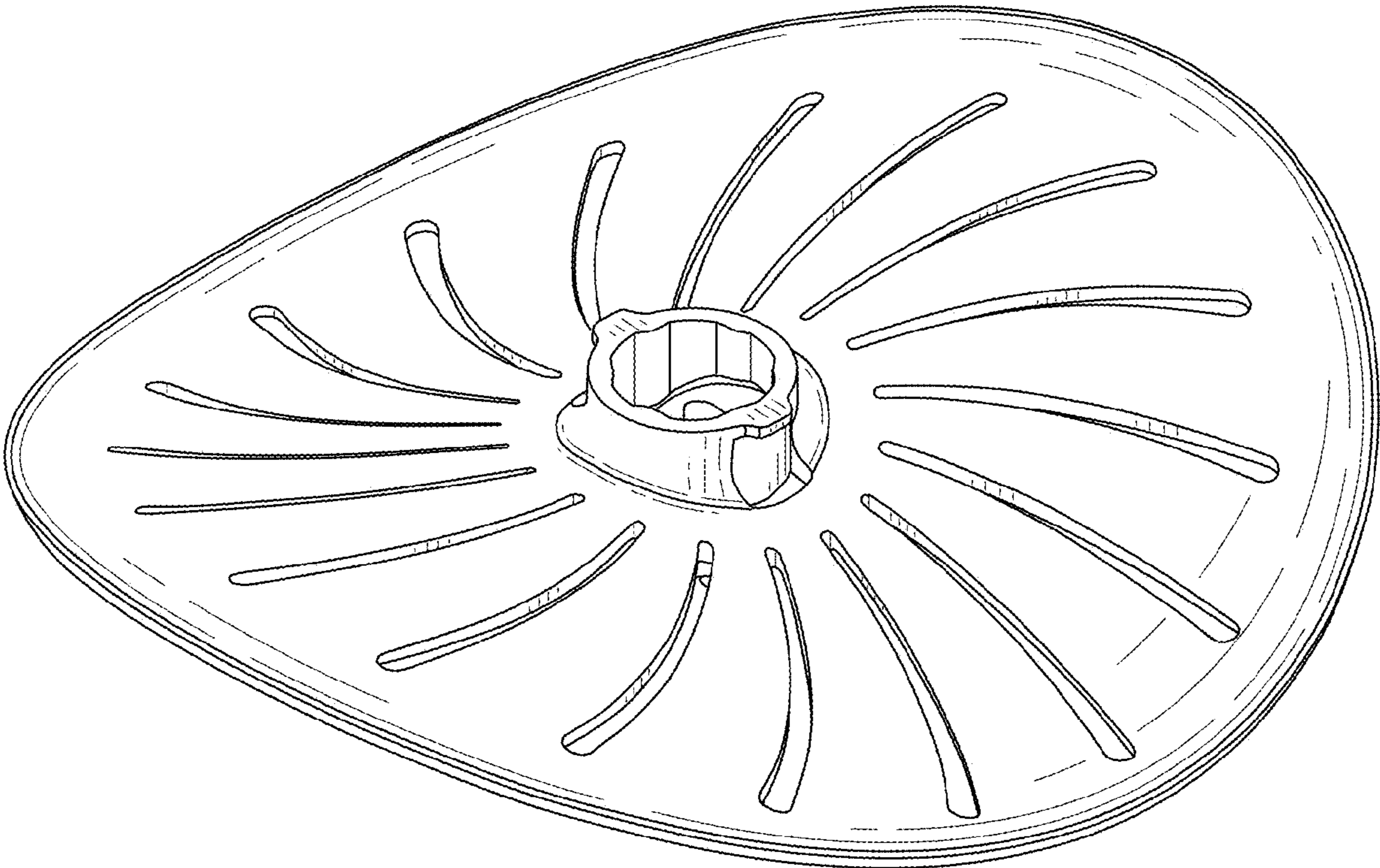


FIG. 1

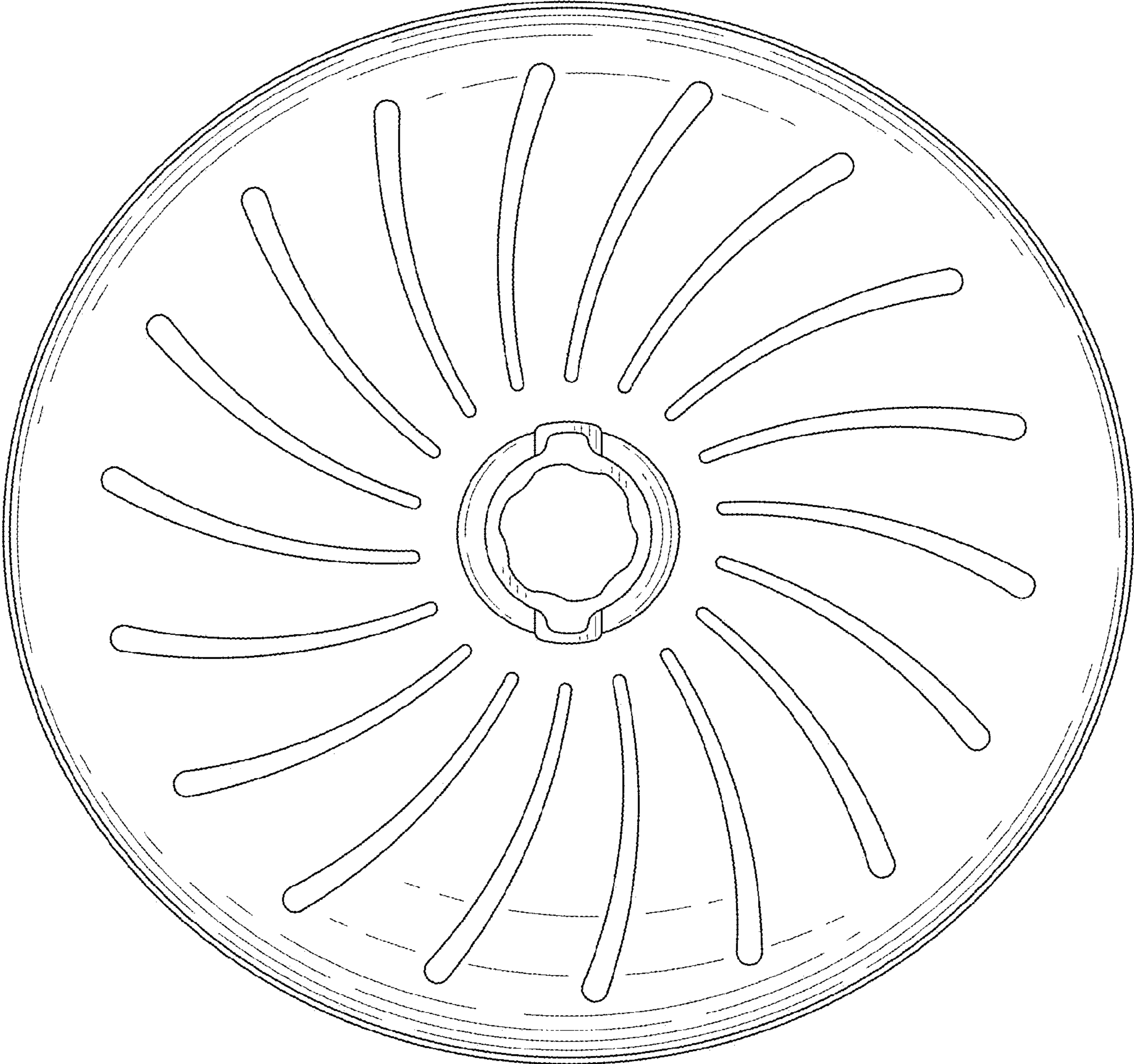


FIG. 2

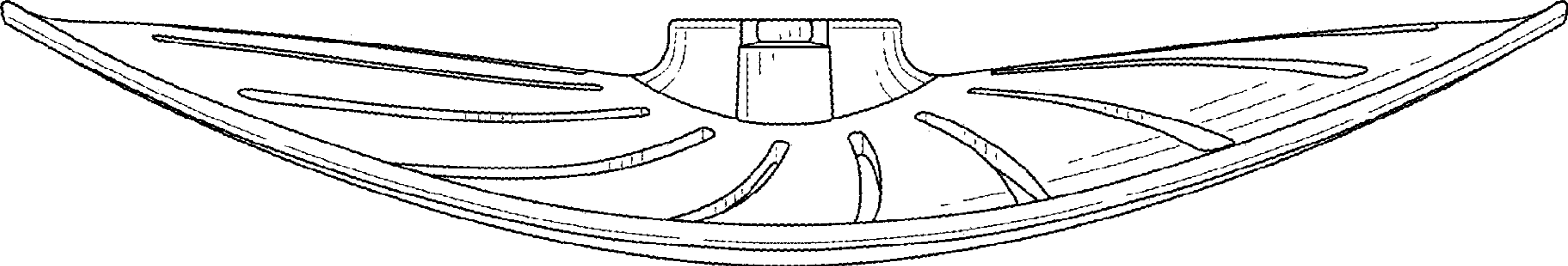


FIG. 3

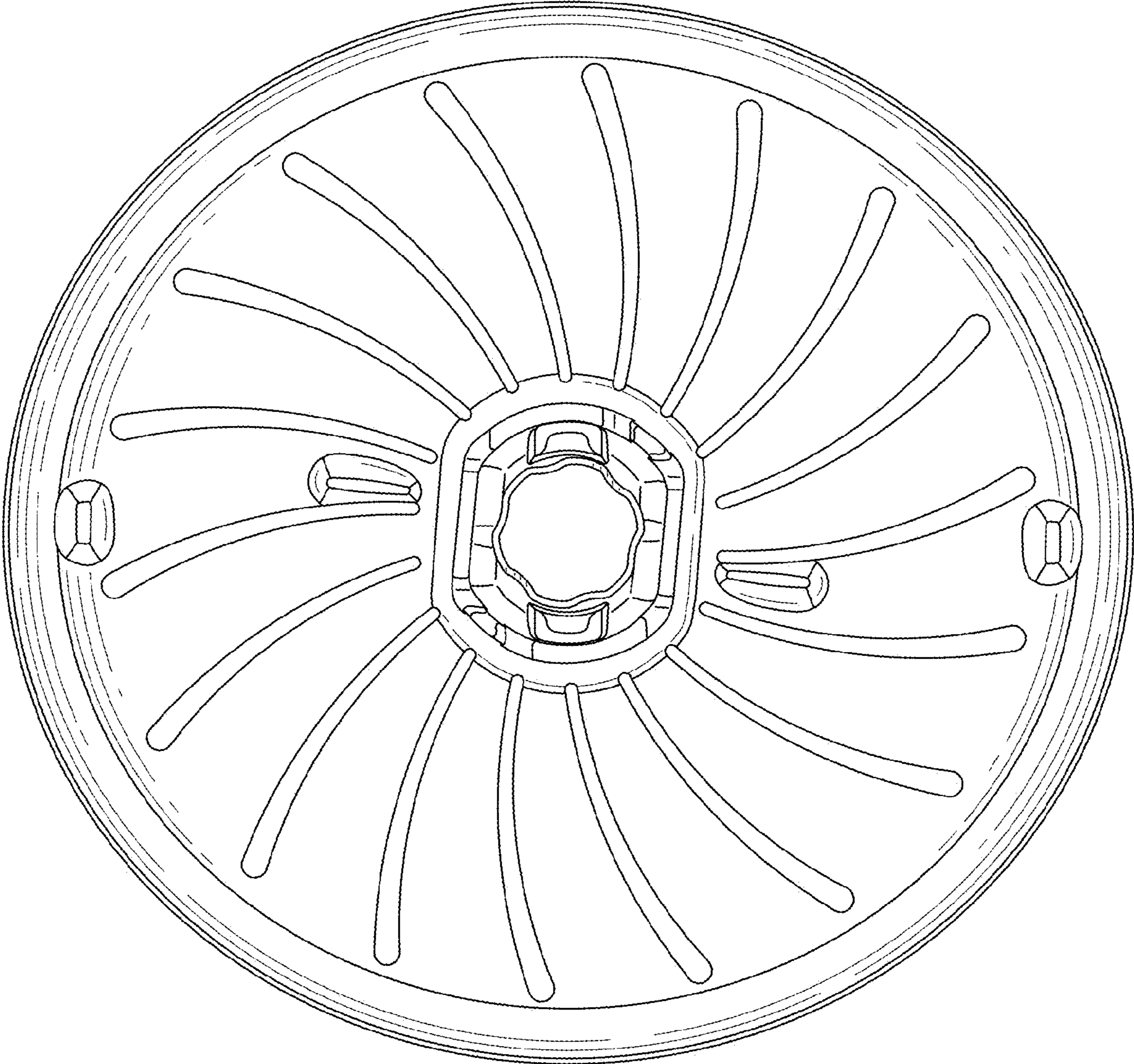


FIG. 4

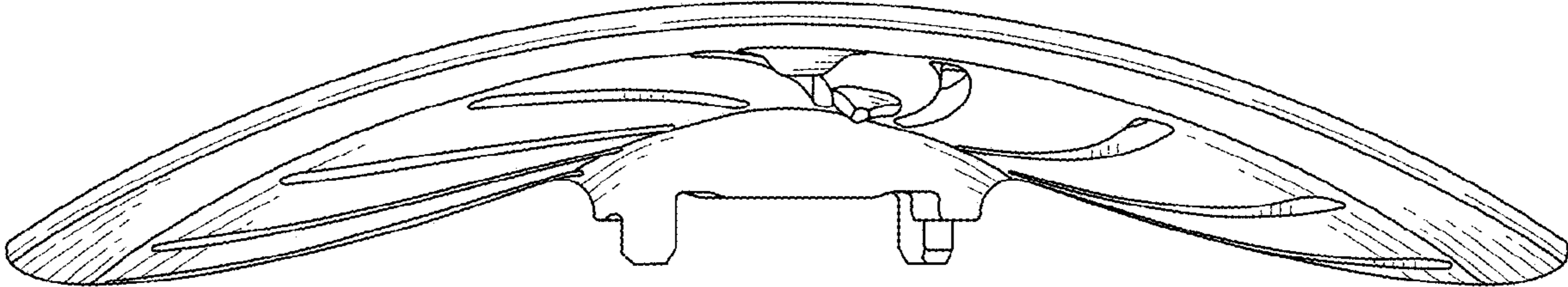


FIG. 5

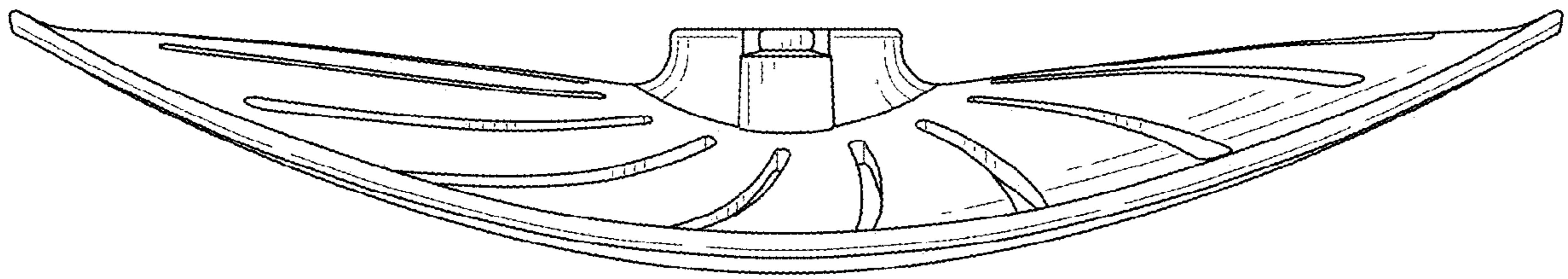


FIG. 6

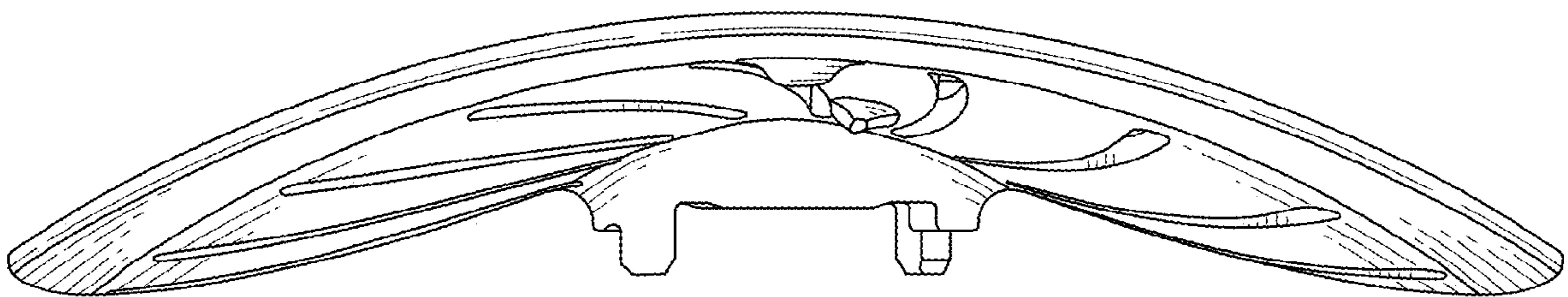


FIG. 7