



US00D887207S

(12) **United States Design Patent**  
**Moon et al.**

(10) **Patent No.:** **US D887,207 S**  
(45) **Date of Patent:** **\*\* Jun. 16, 2020**

(54) **CONVECTION OVEN POWER HEAD**

(71) Applicant: **NuWave, LLC**, Libertyville, IL (US)

(72) Inventors: **Jung S. Moon**, Long Grove, IL (US);  
**Eunjung Huh**, Grayslake, IL (US);  
**Byung G. Choi**, Lake Villa, IL (US);  
**Li Xiang Jun**, Foshan (CN); **Kim Jong Rok**, Seoul (KR)

(73) Assignee: **NuWave, LLC**, Libertyville, IL (US)

(\*\*) Term: **15 Years**

(21) Appl. No.: **29/660,264**

(22) Filed: **Aug. 20, 2018**

**Related U.S. Application Data**

(63) Continuation of application No. 29/608,504, filed on Jun. 22, 2017, now Pat. No. Des. 825,991.

(51) **LOC (12) Cl.** ..... **07-99**

(52) **U.S. Cl.**  
USPC ..... **D7/407**

(58) **Field of Classification Search**  
USPC ..... D7/402-409, 323, 332-351, 362-367,  
D7/399, 397, 309; D15/81; D23/386,  
D23/397, 402, 415, 419  
CPC ..... F24C 15/10; F24C 15/107; F24C 15/001;  
F24C 3/08; F24C 3/082; F24C 3/085;  
H05B 6/6414; H05B 6/6408  
See application file for complete search history.

(56) **References Cited**

**U.S. PATENT DOCUMENTS**

D222,122 S \* 9/1971 Craver ..... D7/407  
D303,608 S \* 9/1989 Liwski ..... D7/402  
D313,332 S \* 1/1991 Johnson ..... D7/335  
D344,873 S \* 3/1994 Chang ..... D7/348  
D369,517 S \* 5/1996 Ferlin ..... D7/407  
D564,296 S \* 3/2008 Koch ..... D7/407

D581,736 S \* 12/2008 Besseas ..... D7/407  
D583,613 S \* 12/2008 Proffitt ..... D7/332  
D677,526 S \* 3/2013 Wade ..... D7/335  
D727,090 S \* 4/2015 St. Jacques ..... D7/387  
D745,321 S \* 12/2015 Koch ..... D7/407  
D758,129 S \* 6/2016 Filho ..... D7/407

\* cited by examiner

*Primary Examiner* — Derrick E Holland

*Assistant Examiner* — Andrew Kerr

(74) *Attorney, Agent, or Firm* — Bishop, Diehl & Lee, Ltd.

(57) **CLAIM**

The ornamental design for the power head for a convection oven, as shown and described.

**DESCRIPTION**

FIG. 1 is a top isometric view of a convection oven power head, showing our new design, in environmental use condition;

FIG. 2 is a front view thereof;

FIG. 3 is a rear view thereof;

FIG. 4 is a left side view thereof;

FIG. 5 is a right side view thereof;

FIG. 6 is a top view thereof;

FIG. 7 is a bottom view thereof;

FIG. 8 is a top isometric view of a convection oven power head, showing our new design;

FIG. 9 is a bottom isometric view thereof;

FIG. 10 is a front view thereof;

FIG. 11 is a rear view thereof;

FIG. 12 is a left side view thereof;

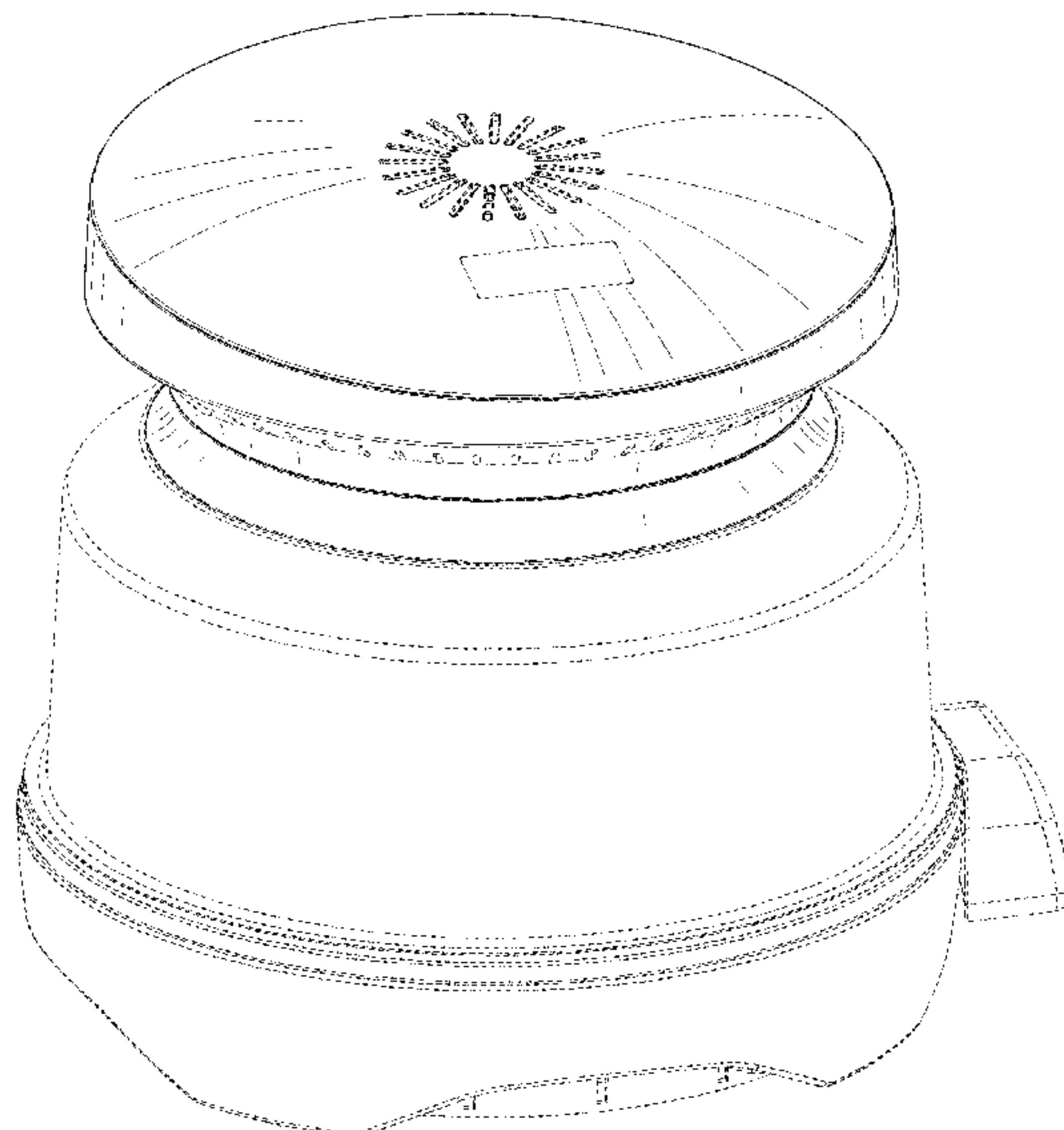
FIG. 13 is a right side view thereof;

FIG. 14 is a top view thereof; and,

FIG. 15 is a bottom view thereof.

The broken lines showing portions of the convection oven power head are for the purpose of illustrating environmental structure and form no part of the claimed design.

**1 Claim, 13 Drawing Sheets**



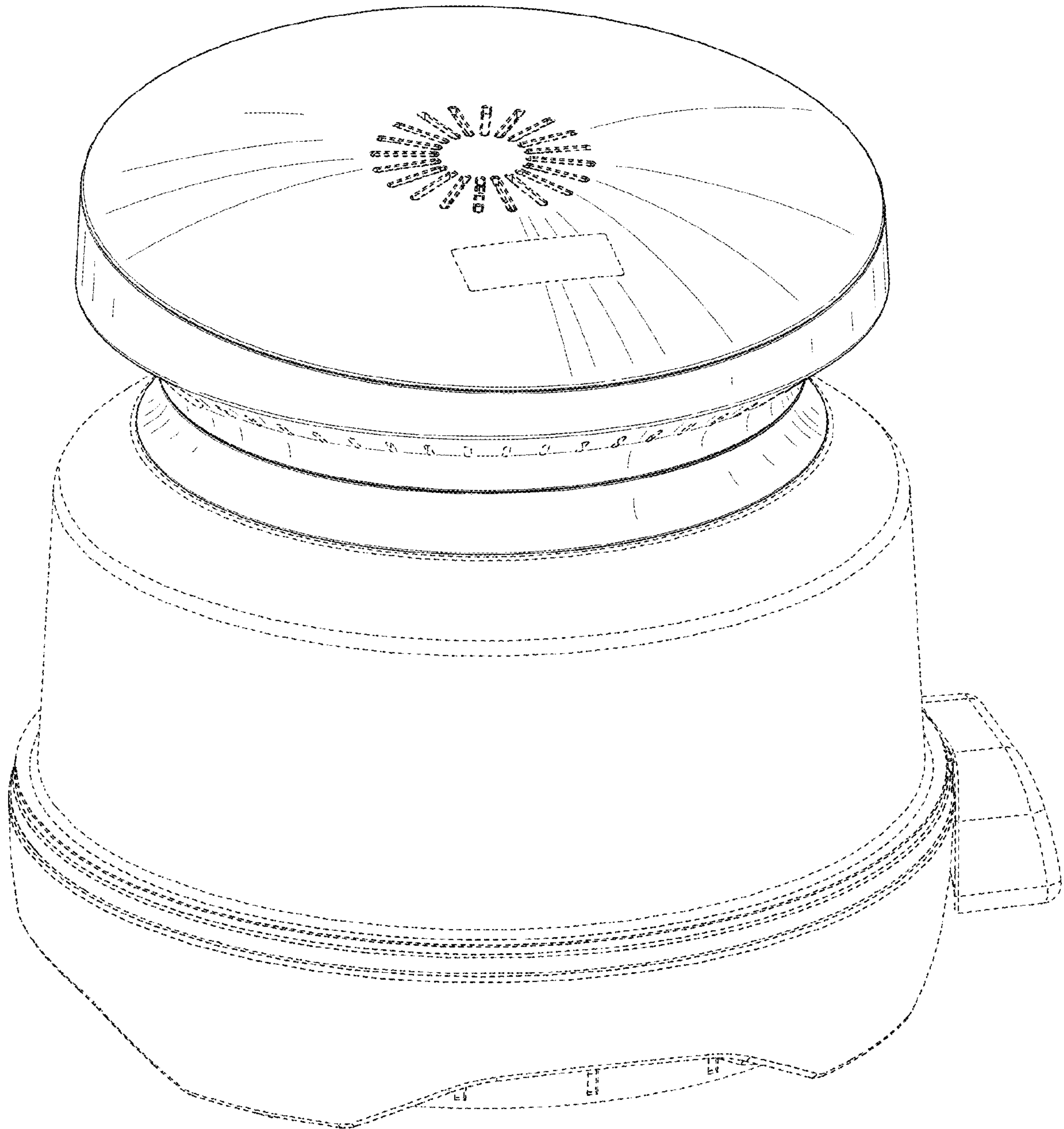


FIG. 1

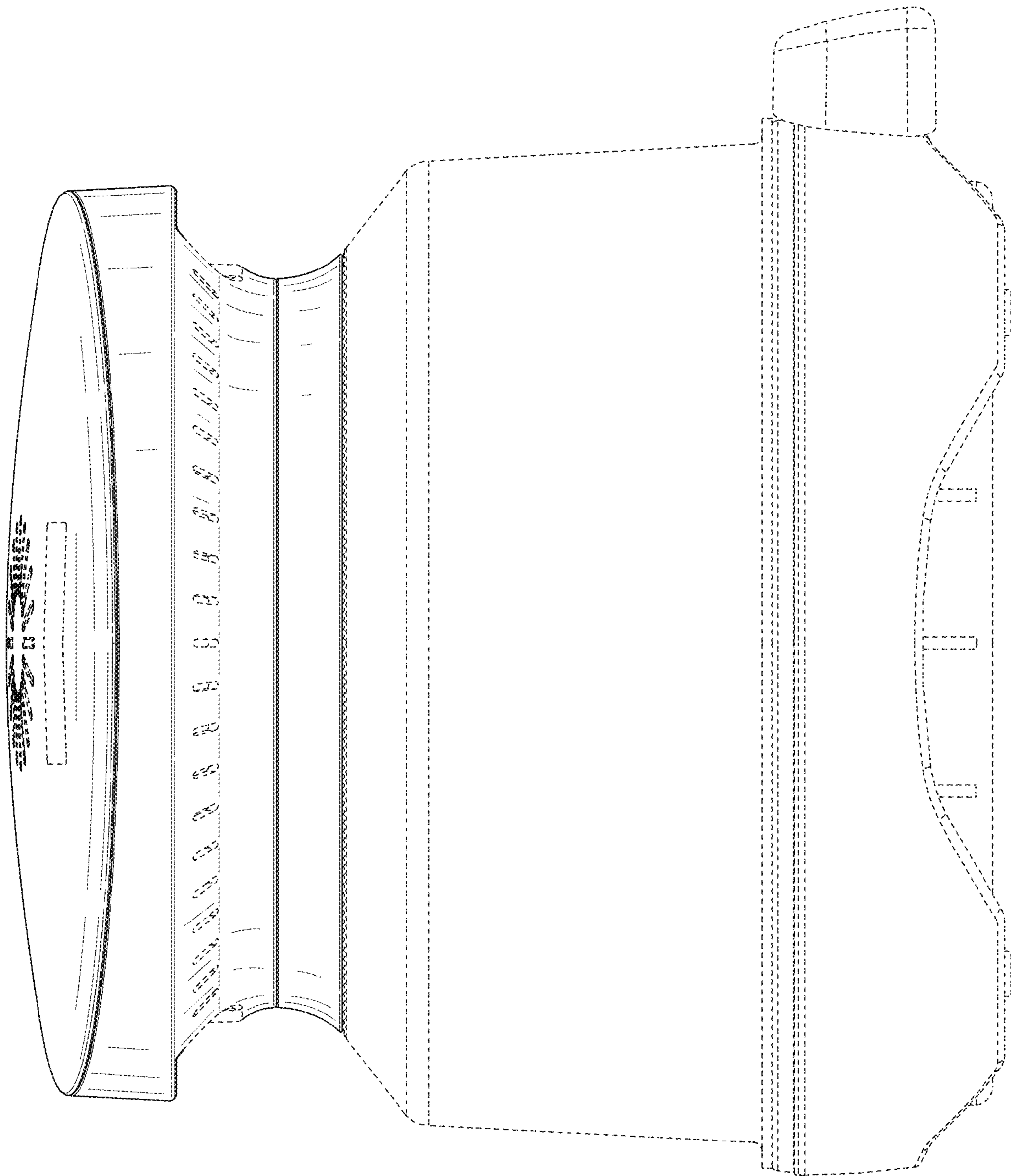


FIG. 2



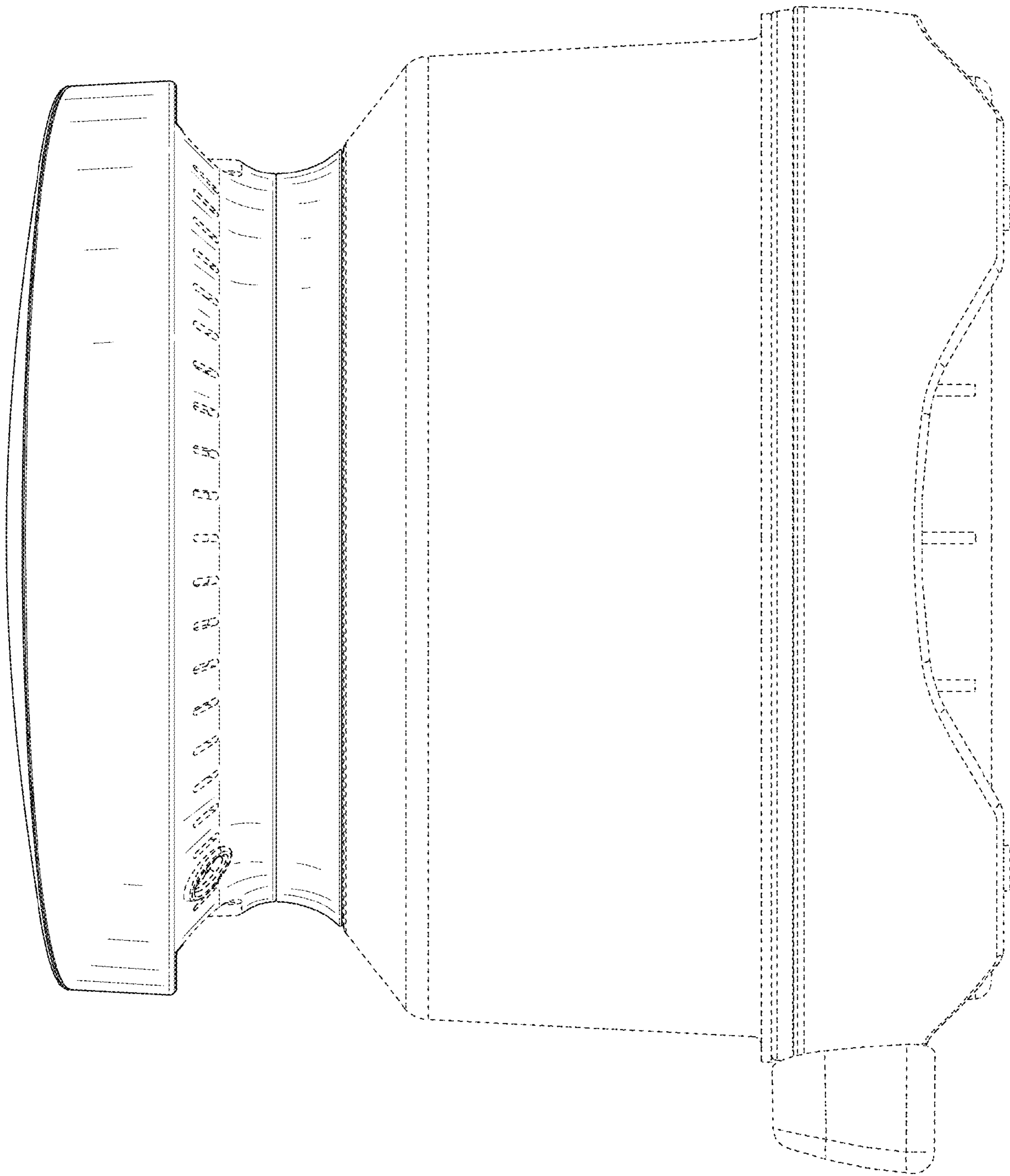


FIG. 3

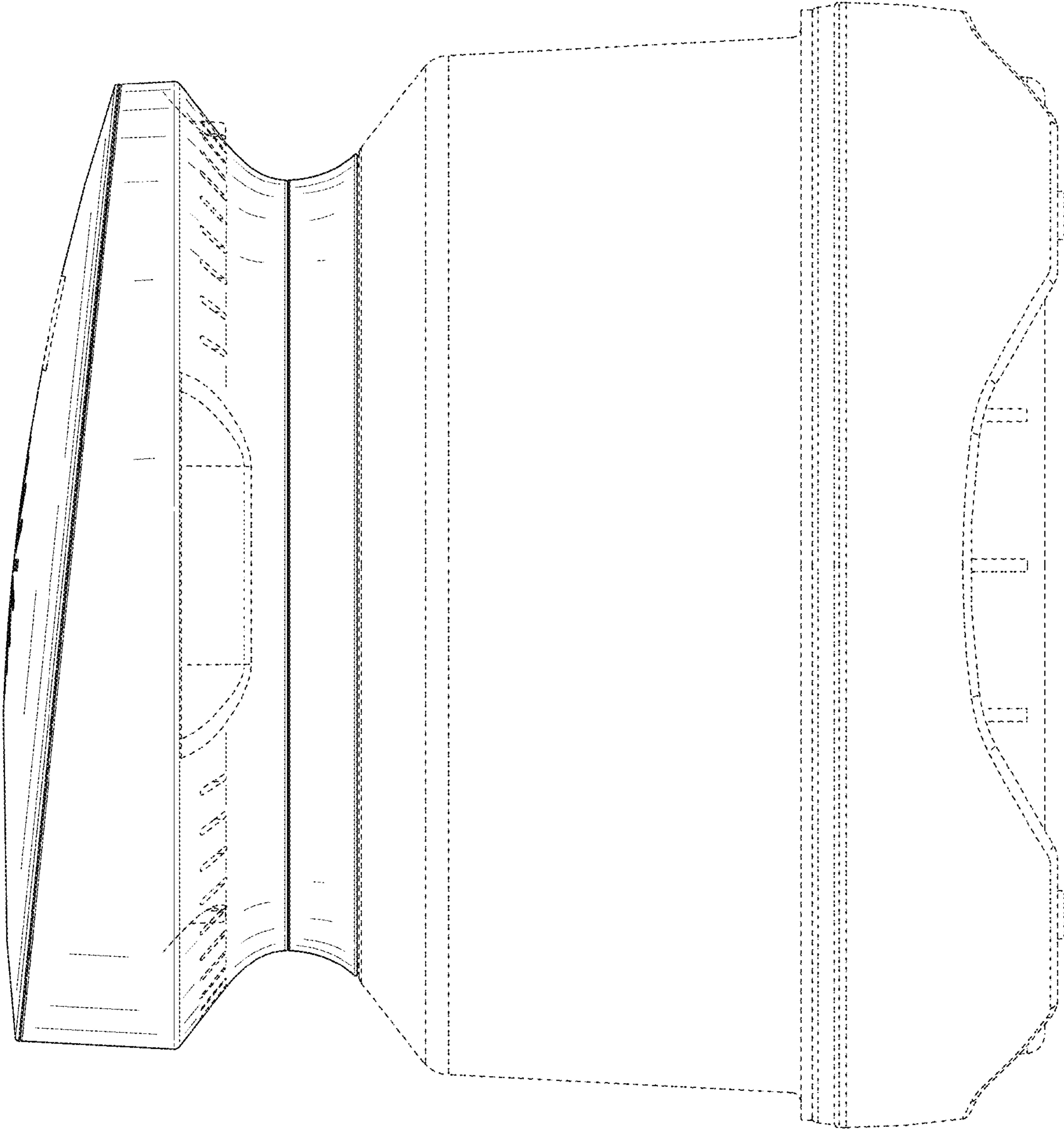


FIG. 4

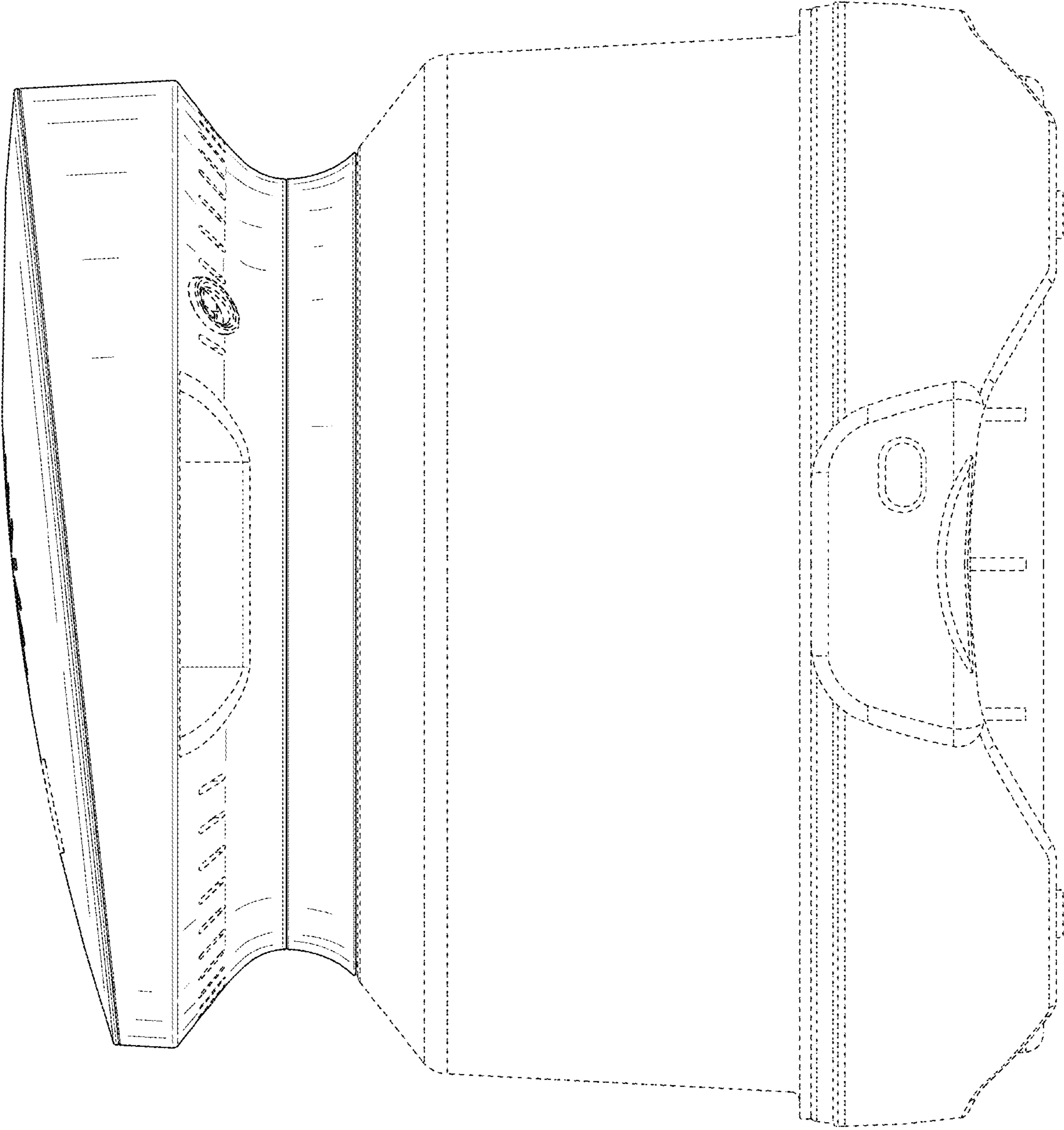


FIG. 5

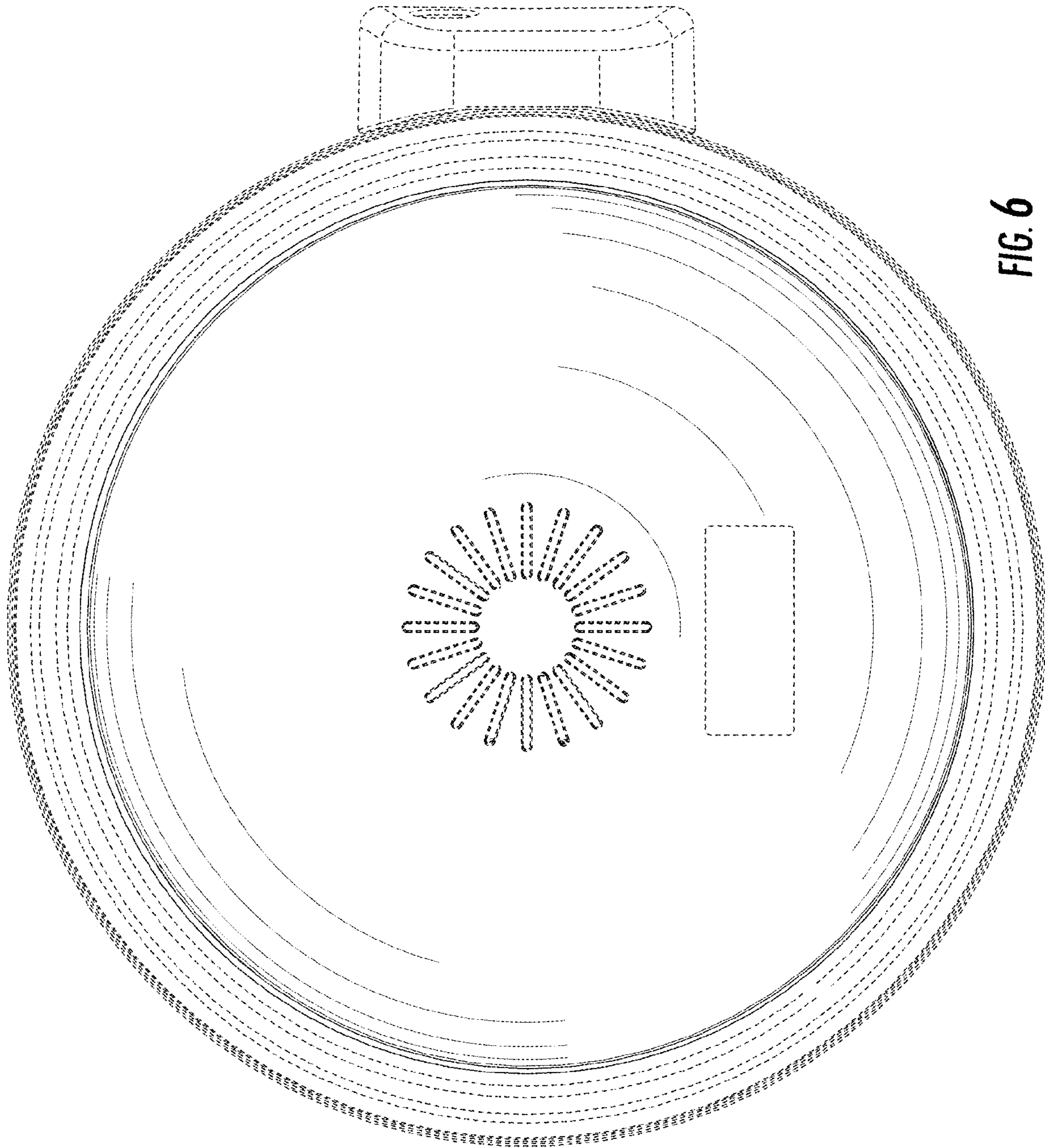


FIG. 6



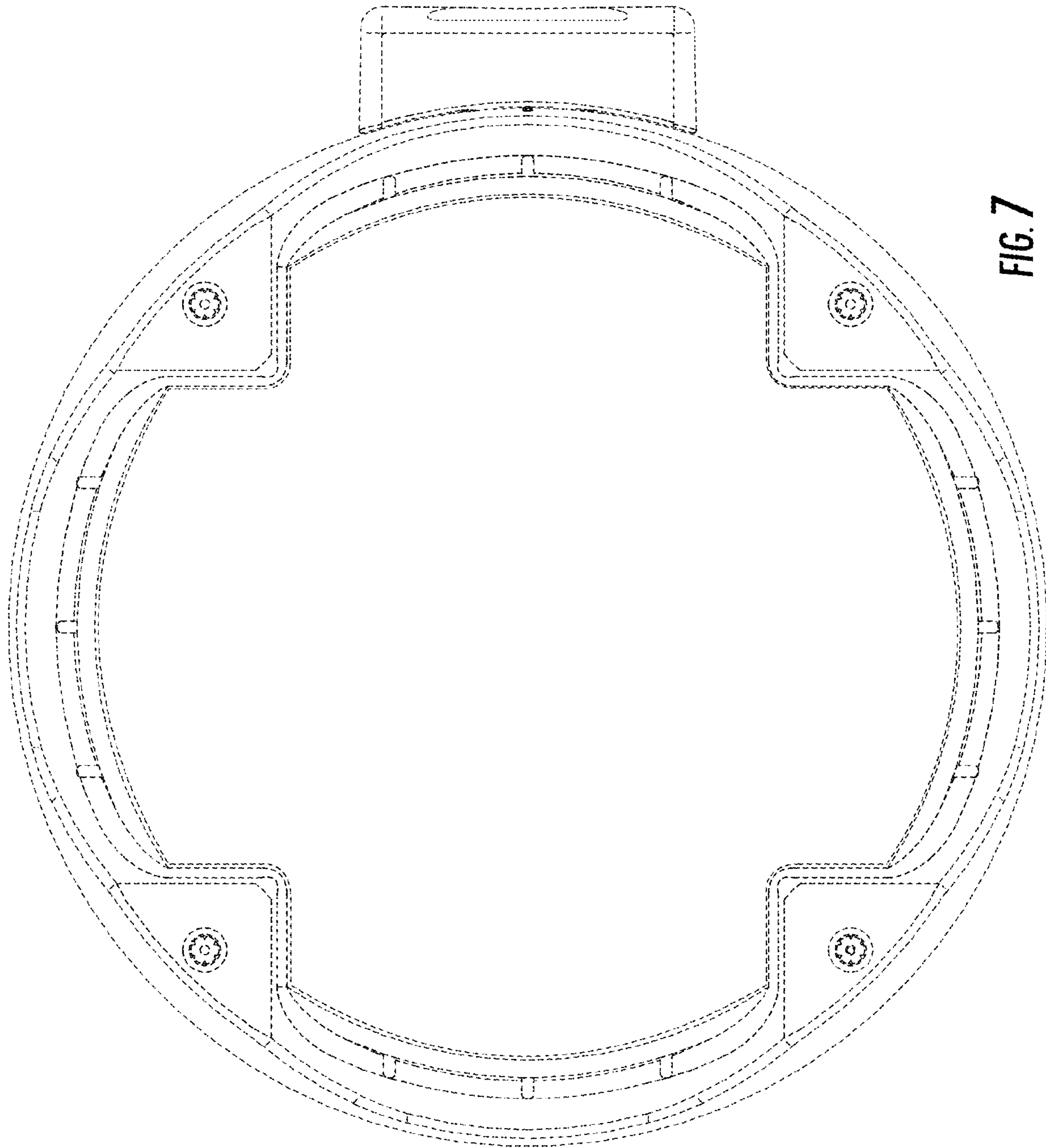


FIG. 7



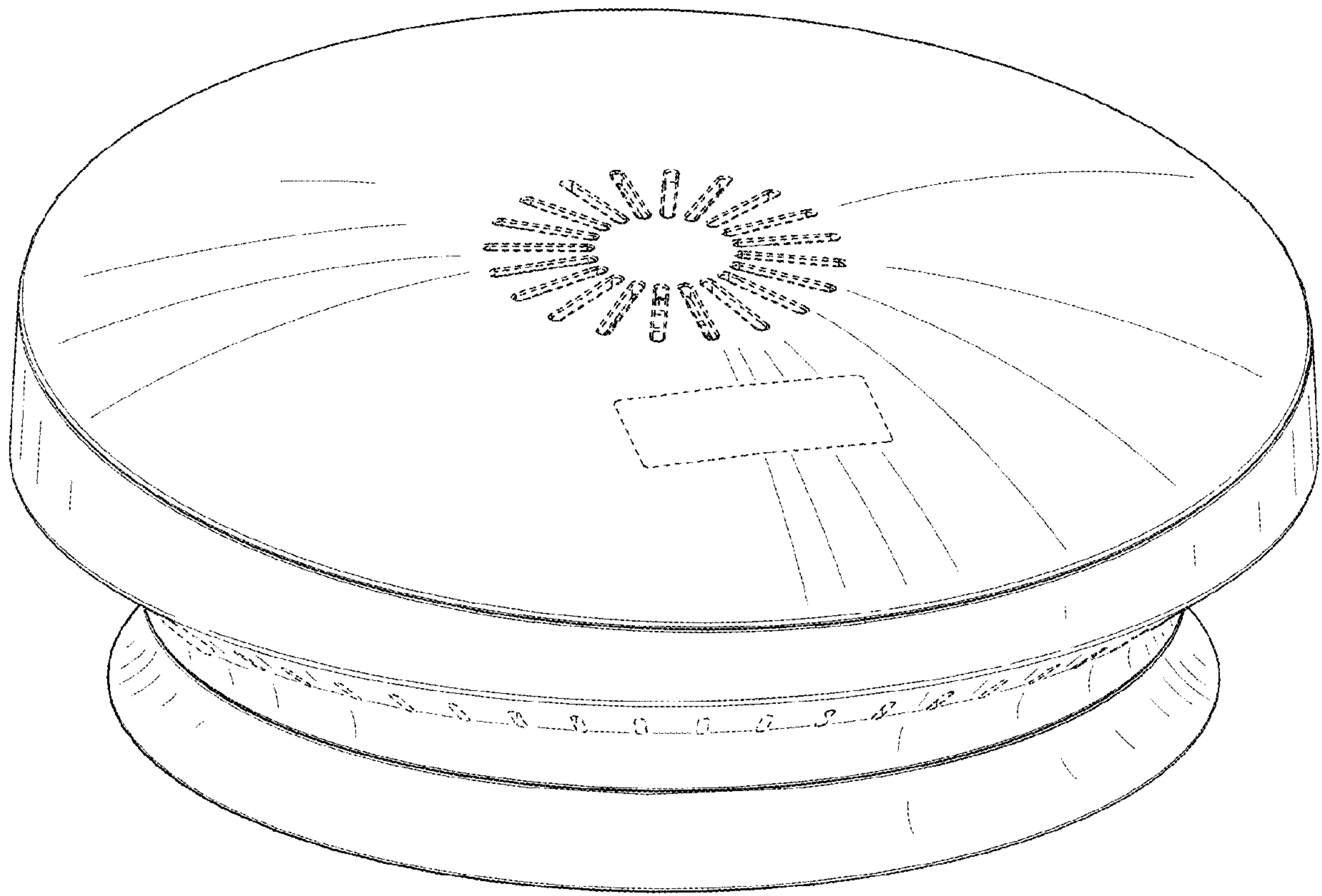


FIG. 8

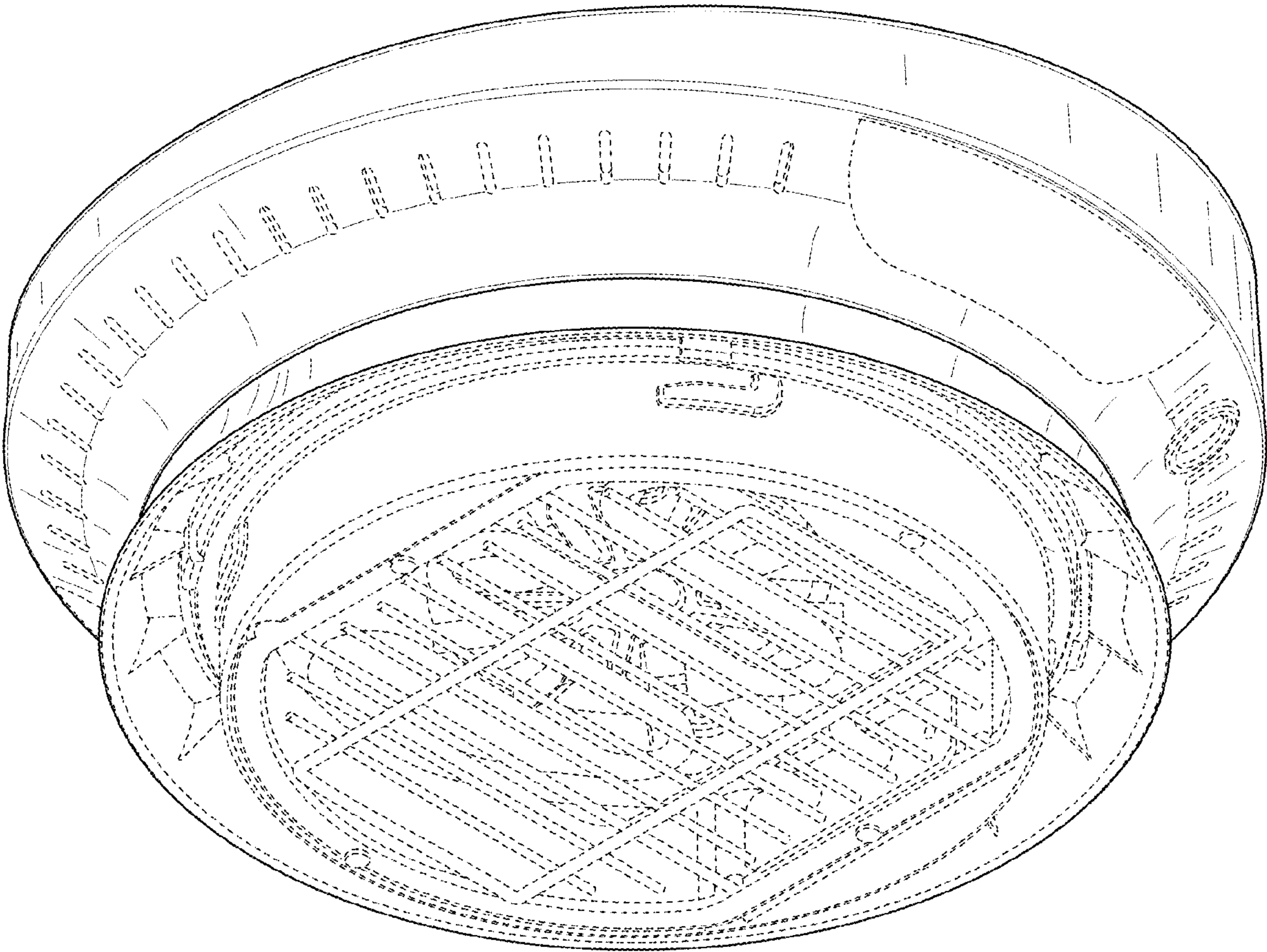
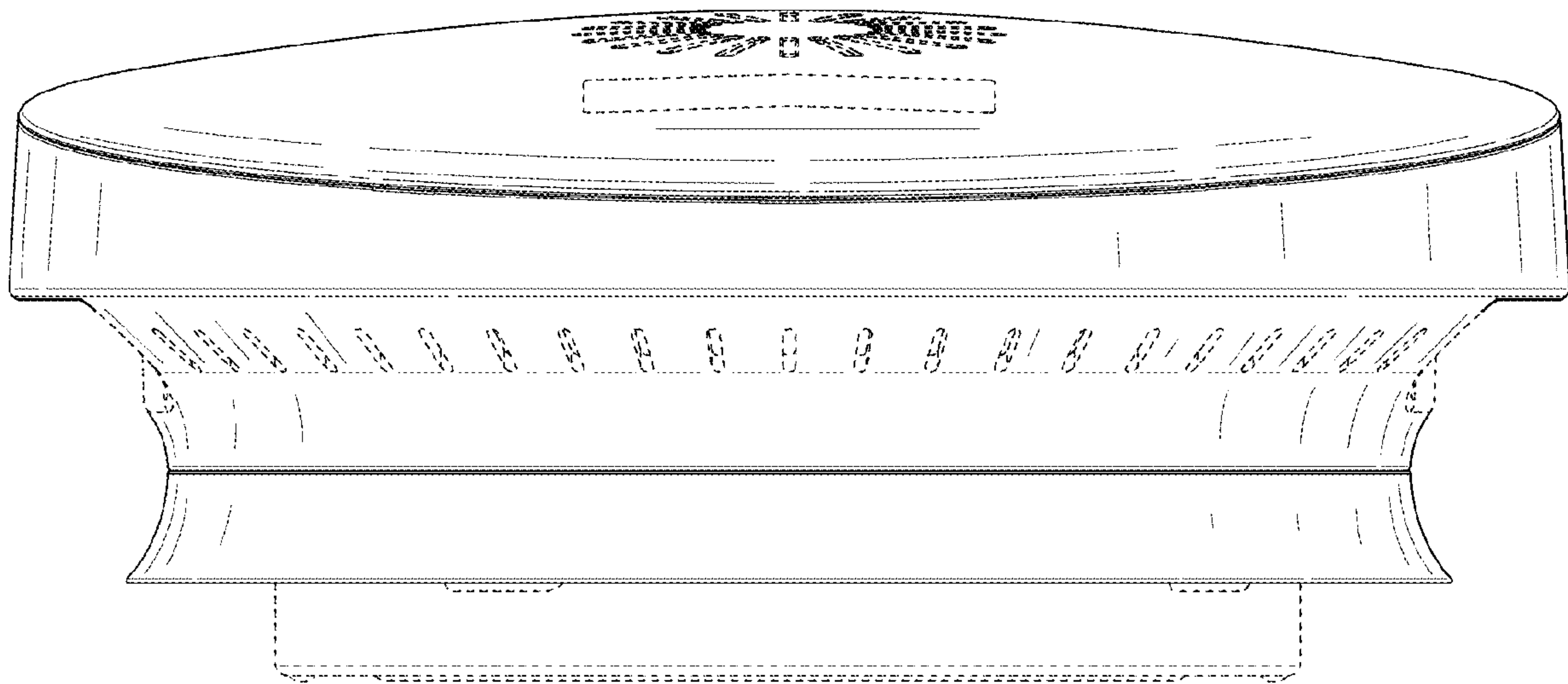
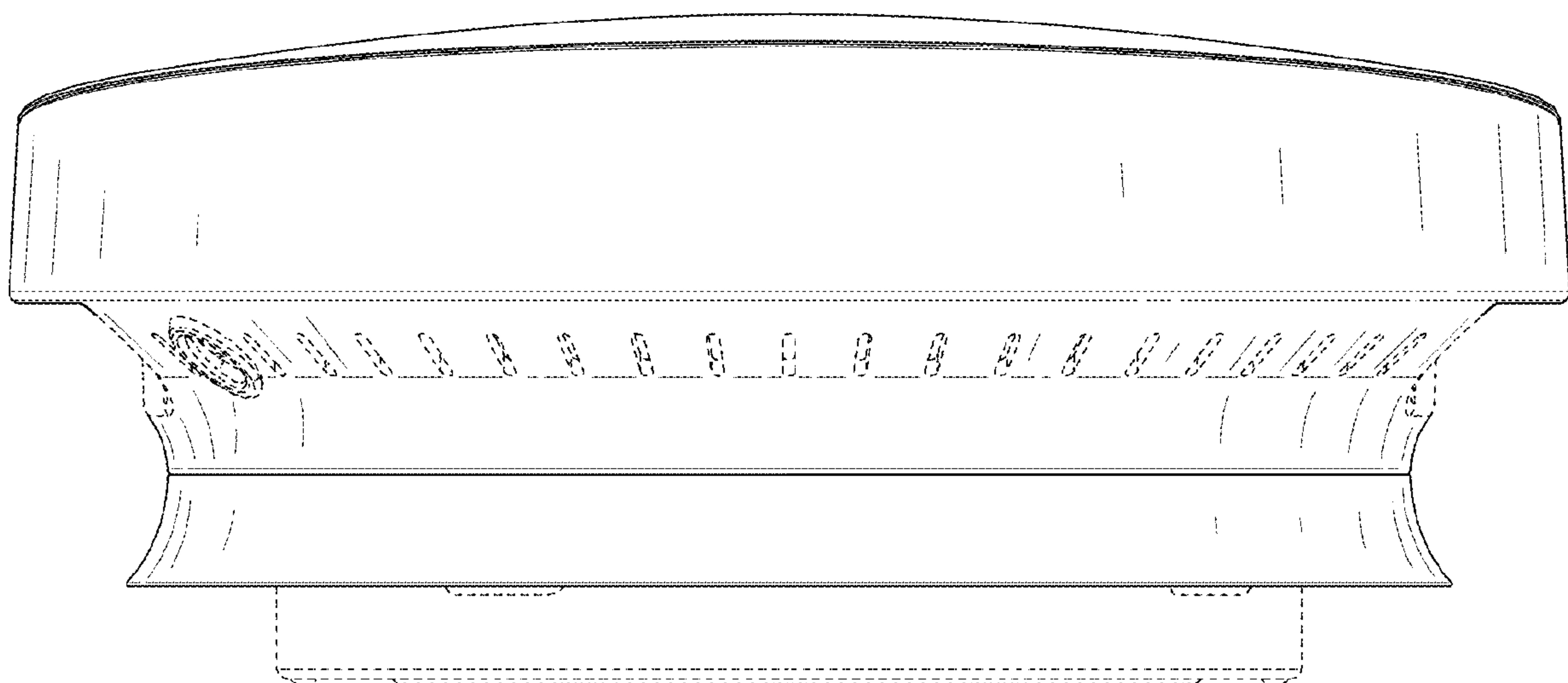


FIG. 9



**FIG. 10**



**FIG. 11**

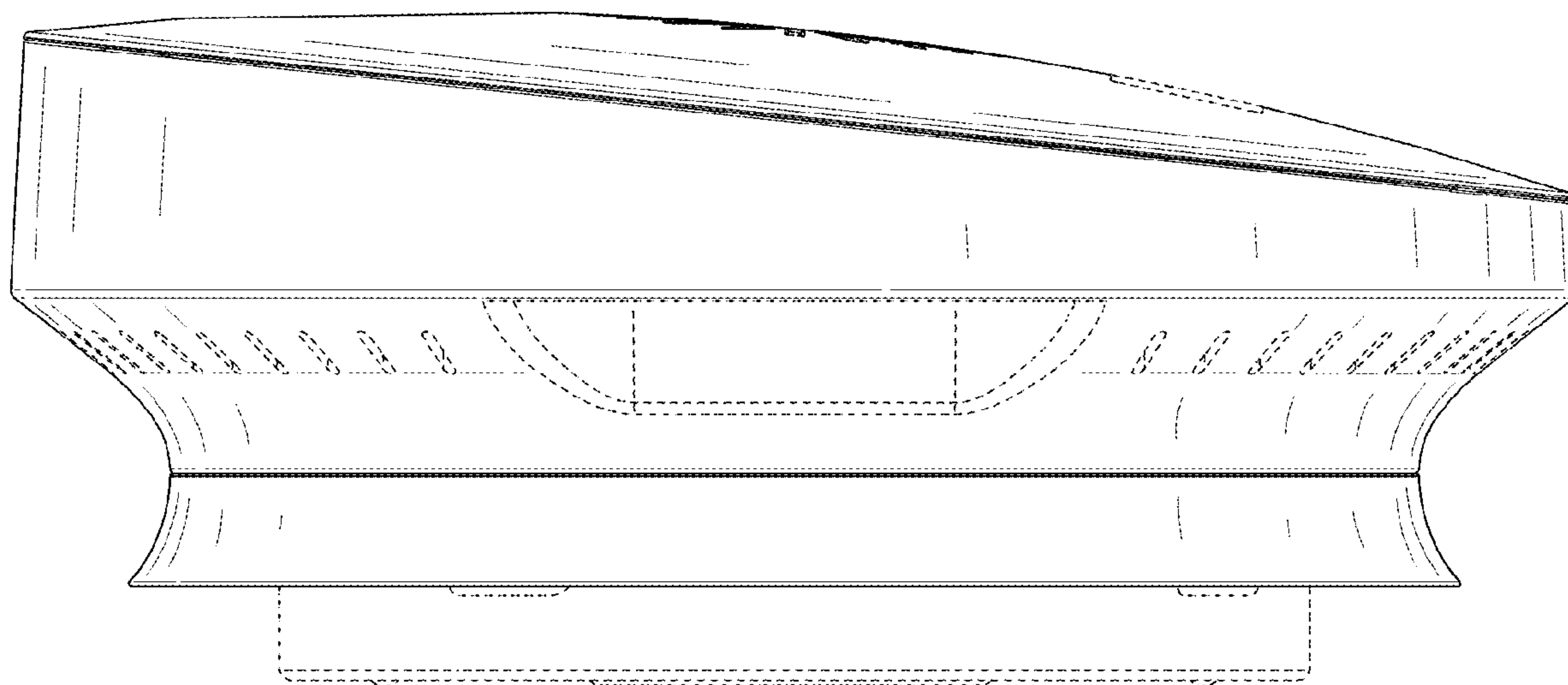


FIG. 12

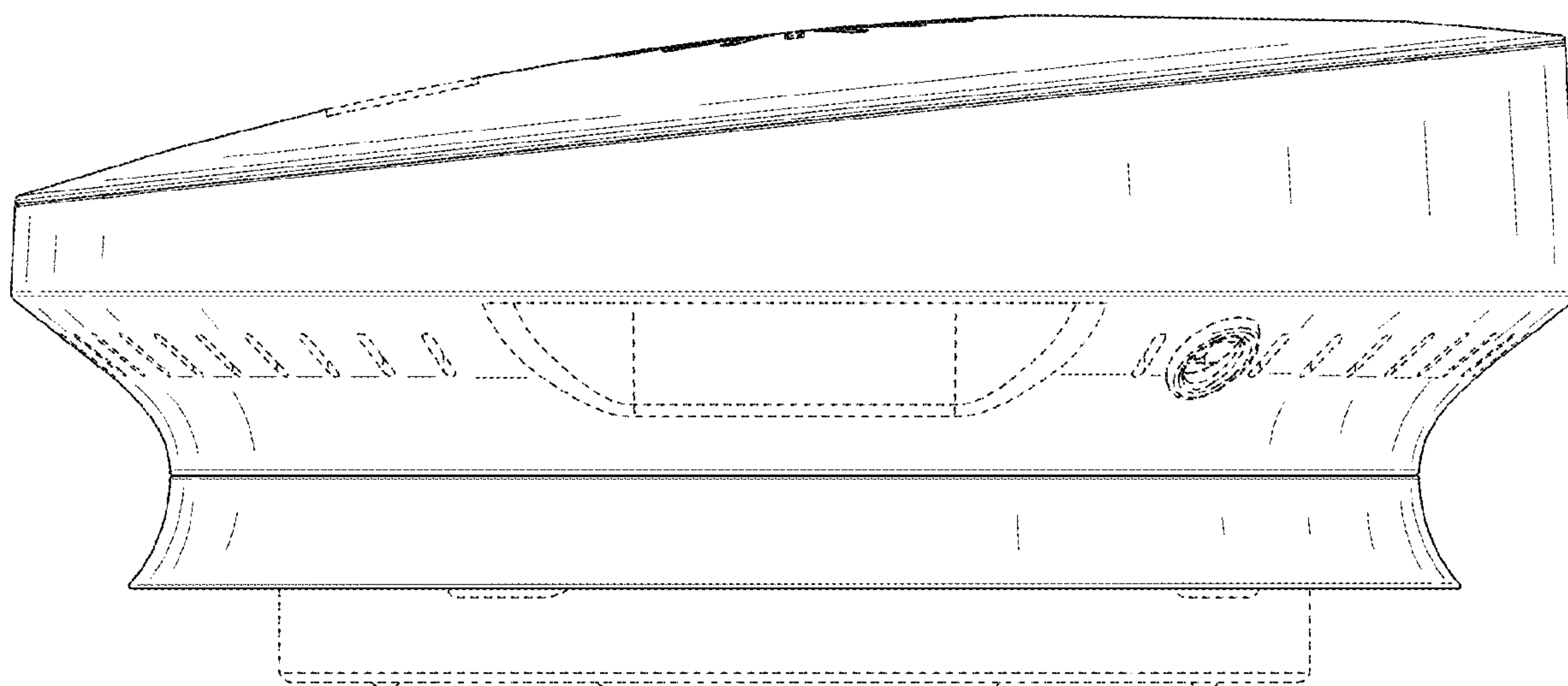


FIG. 13



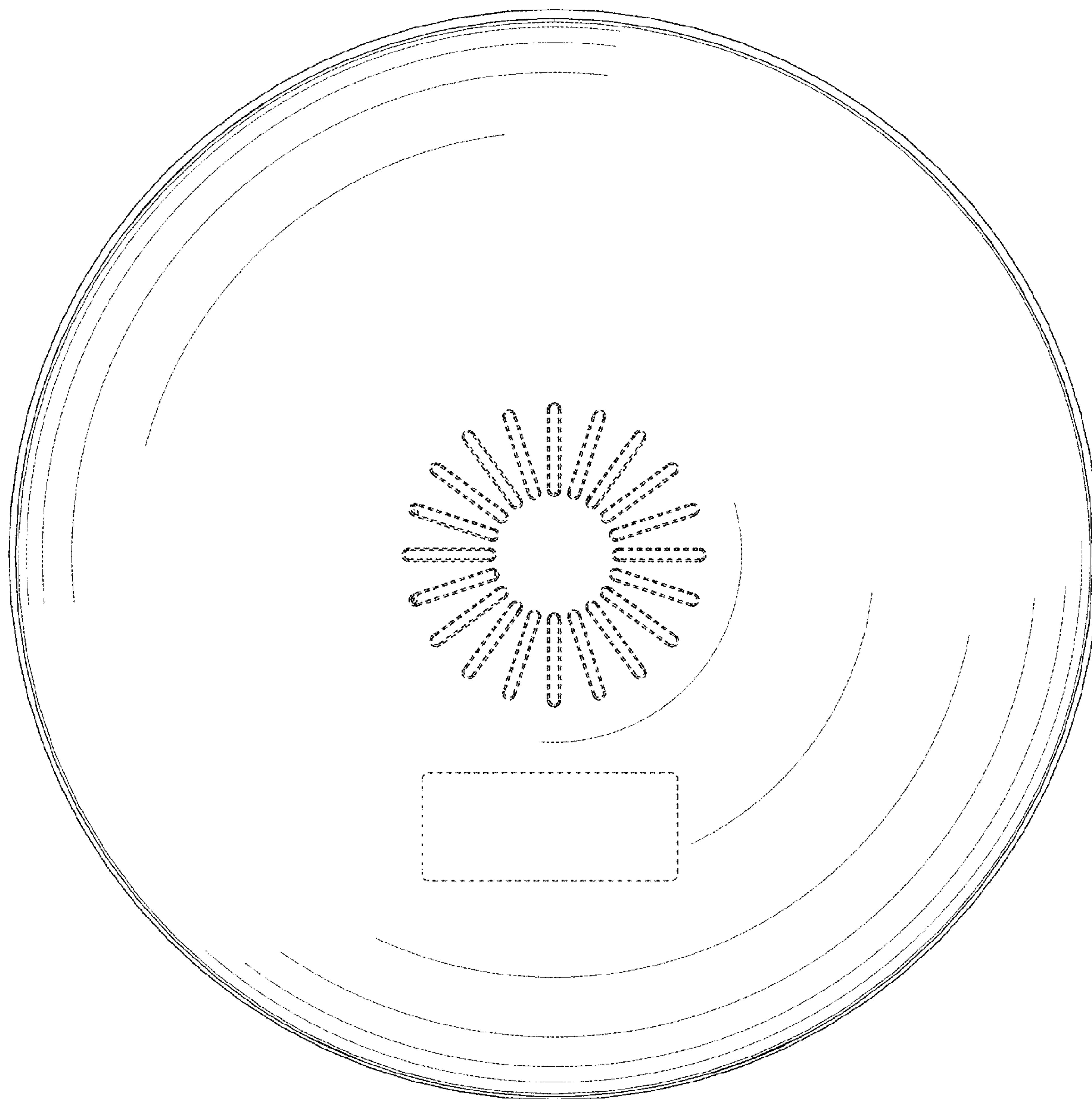
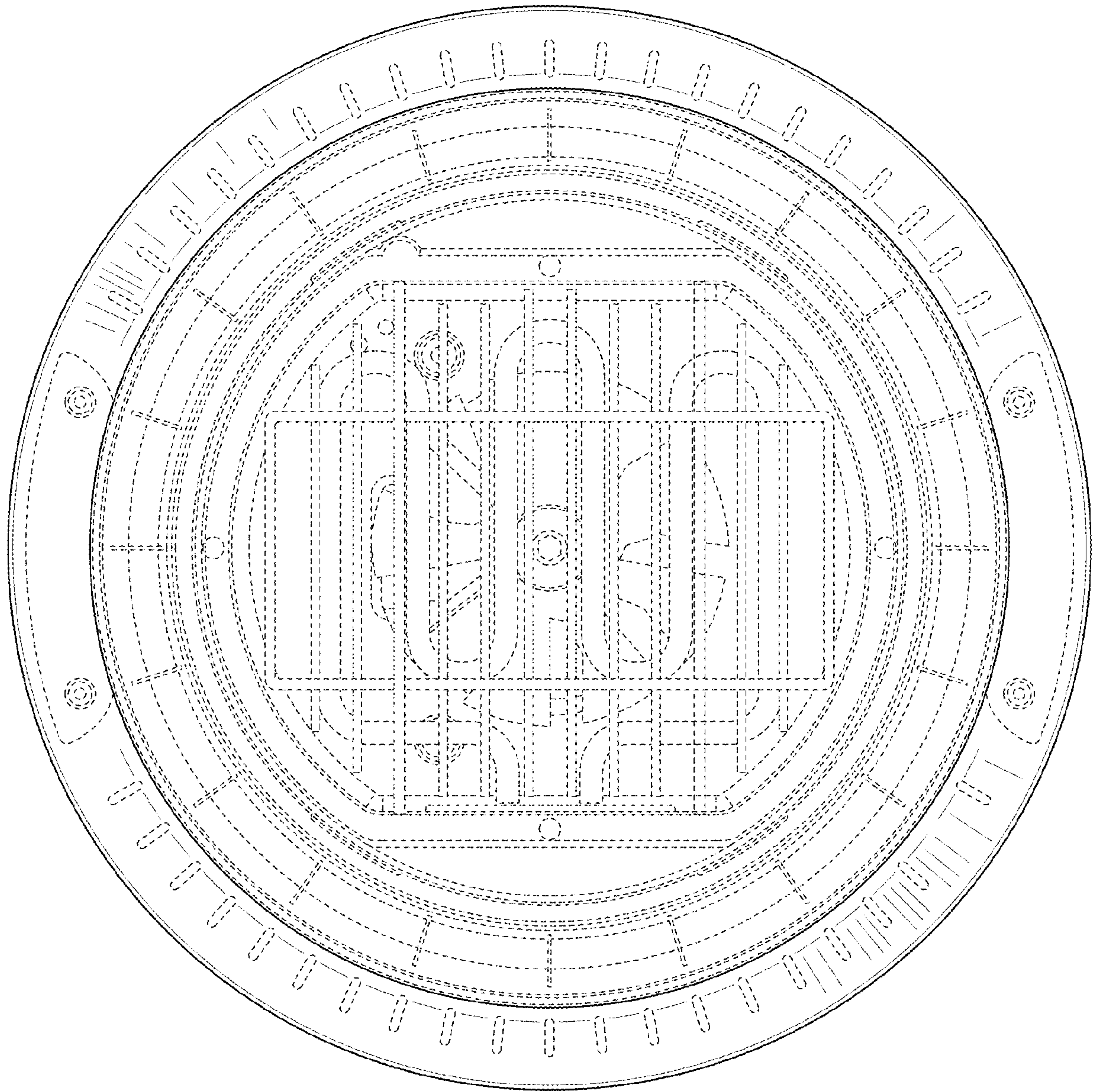


FIG. 14



**FIG. 15**