



US00D887206S

(12) **United States Design Patent** (10) **Patent No.:** **US D887,206 S**
Giardullo (45) **Date of Patent:** **** Jun. 16, 2020**

(54) **AERATOR**
(71) Applicant: **Rocco Giardullo**, Brampton (CA)
(72) Inventor: **Rocco Giardullo**, Brampton (CA)
(**) Term: **15 Years**

D677,524 S * 3/2013 Agarwal D7/397
8,430,023 B2 * 4/2013 Hynes B01F 3/04751
99/277.1
8,561,970 B1 * 10/2013 Mills B01F 13/002
261/124
D705,004 S * 5/2014 Mills D7/300.2
D716,612 S * 11/2014 Mills D11/146
(Continued)

(21) Appl. No.: **29/665,970**
(22) Filed: **Oct. 9, 2018**
(51) **LOC (12) Cl.** **07-01**
(52) **U.S. Cl.**
USPC **D7/398; D7/397; D9/440**
(58) **Field of Classification Search**
USPC D7/400, 399, 397, 213, 387, 398, 392.2,
D7/700, 315, 396.2; D9/440, 439;
99/323.1, 275, 277.1; 261/76, 110, 30;
222/190, 450
CPC A47G 19/2205; B01F 3/04262; B01F
3/04794; B01F 5/0619
See application file for complete search history.

FOREIGN PATENT DOCUMENTS

WO 2011141773 A1 11/2011
WO 2017066831 A1 4/2017

OTHER PUBLICATIONS

Firestone-Teeter, "8 Cool Wine Aerators", VinePair Inc., Oct. 20, 2014, online article <<https://vinepair.com/wine-blog/8-cool-wine-aerators>> (7 pages).
(Continued)

Primary Examiner — Marianne N Pandozzi
(74) *Attorney, Agent, or Firm* — Bereskin & Parr
LLP/S.E.N.C.R.L., s.r.l.; Isis E. Caulder; Nicholas Aitken

(56) **References Cited**

U.S. PATENT DOCUMENTS

3,164,300 A * 1/1965 Dousette G01F 11/267
222/153.06
D217,330 S * 4/1970 Conry D9/440
D223,693 S * 5/1972 Chi D7/398
5,293,912 A 3/1994 Wildash et al.
5,851,443 A * 12/1998 Rajendren B01F 3/04539
261/87
D468,205 S * 1/2003 Pierce D9/440
6,508,163 B1 1/2003 Weatherill
D474,689 S * 5/2003 Dinsky D9/434
D520,359 S * 5/2006 Sach D9/439
D577,997 S * 10/2008 Pan D7/398
D614,443 S * 4/2010 Federighi D7/397
D619,431 S * 7/2010 Wax D7/700
D652,251 S * 1/2012 Goralski D7/213
8,205,541 B2 * 6/2012 Barberio B01F 3/0446
222/566
D663,172 S * 7/2012 Huynh D7/397

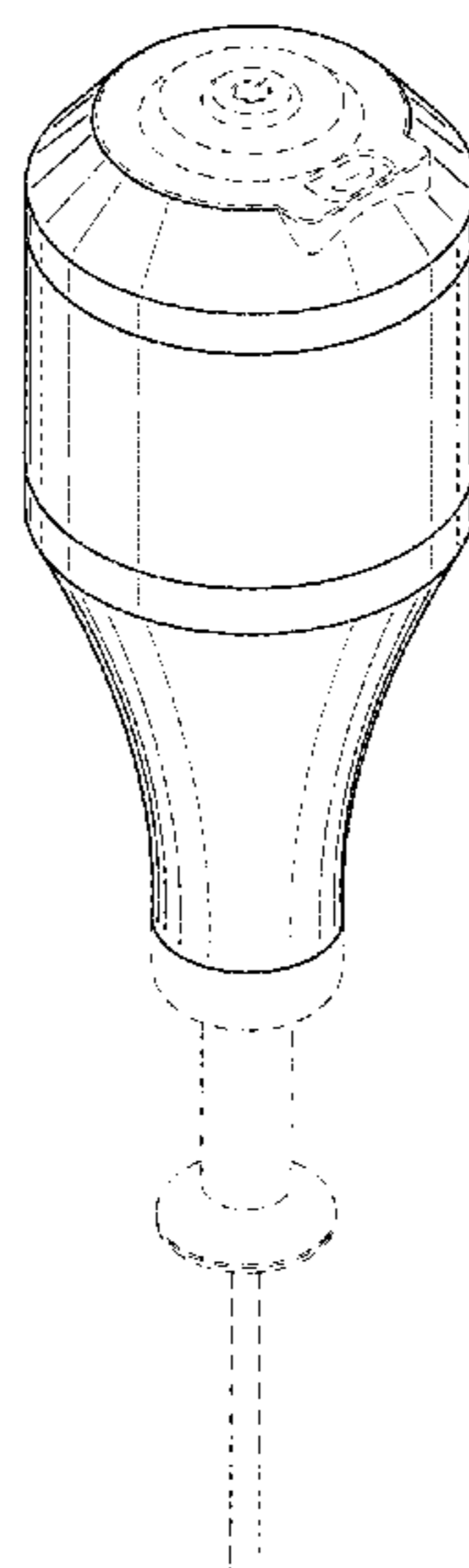
(57) **CLAIM**

The ornamental design for an aerator, as shown and described.

DESCRIPTION

FIG. 1 is a perspective view of an aerator showing my new design;
FIG. 2 is a right side elevation view thereof;
FIG. 3 is a left side elevation view thereof;
FIG. 4 is a rear elevation view thereof;
FIG. 5 is a front elevation view thereof;
FIG. 6 is a top plan view thereof; and,
FIG. 7 is a bottom plan view thereof.
The broken lines in the drawings depict portions of the aerator that form no part of the claimed design.

1 Claim, 4 Drawing Sheets



(56)

References Cited

U.S. PATENT DOCUMENTS

8,894,042 B2 11/2014 Kilduff et al.
 D719,402 S * 12/2014 Khan D7/397
 D734,639 S * 7/2015 Lei D7/213
 D772,004 S * 11/2016 Khan D7/397
 9,579,612 B2 * 2/2017 Stevenson B01F 3/04794
 D825,987 S * 8/2018 Min D7/398
 10,184,233 B2 * 1/2019 Wu E03C 1/084
 D855,392 S * 8/2019 Shim D7/397
 D870,510 S * 12/2019 Meadows D7/398
 2010/0058933 A1 * 3/2010 Cheng B01F 3/04595
 99/323.1
 2012/0156345 A1 * 6/2012 Agarwal B01F 5/0428
 426/474
 2013/0140721 A1 * 6/2013 Borden B01F 5/0428
 261/76
 2015/0068406 A1 * 3/2015 Marsden C12G 1/00
 99/323.1
 2016/0199794 A1 * 7/2016 Connors B01F 3/04794
 261/64.1
 2016/0339398 A1 * 11/2016 Stevenson B01F 13/002
 2019/0151808 A1 5/2019 Giardullo

OTHER PUBLICATIONS

DHGate, "Hot Sale Quality Wine Pourer Electric Wine Decanter Pump Wooden Barrel Design Red Wine Decanter Cider Appli-
 cance Wine Aerator", DHGate.com, online product posting, last accessed
 Oct. 17, 2017 <<https://www.dhgate.com/product/hot-sale-quality-wine-pourer-electric-wine/375887363.html>> (13 pages).

Wineweaver, "Black Velvet Wine Aerator", WineWeaver, online
 product posting, last accessed Nov. 11, 2017 <<https://www.wineweaver.com/product/black-velvet-wine-aerators>> (4 pages).

* cited by examiner

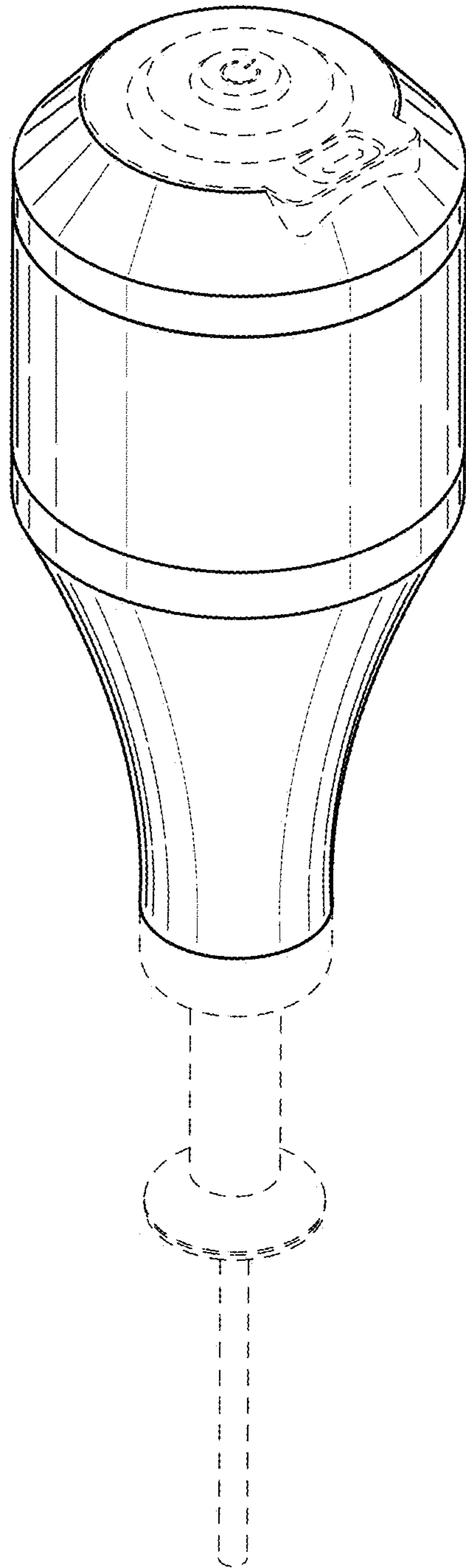


FIG. 1

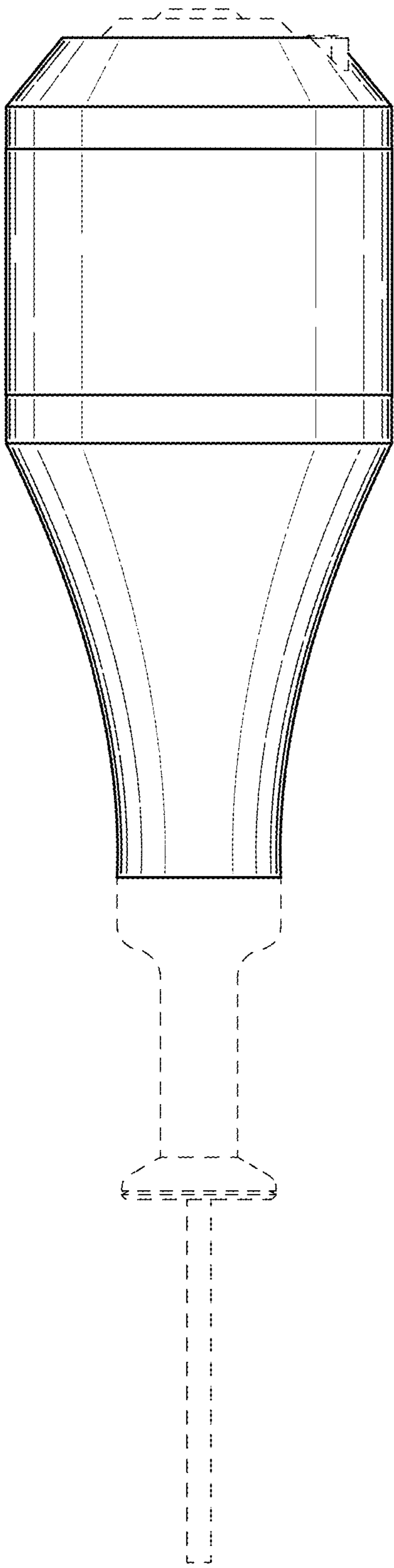


FIG. 2

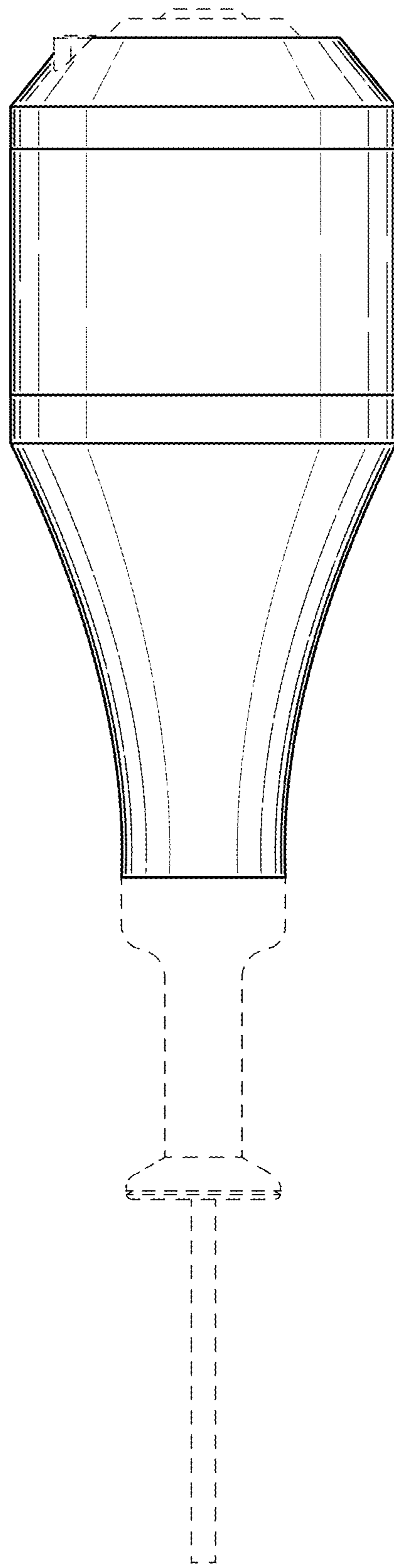


FIG. 3

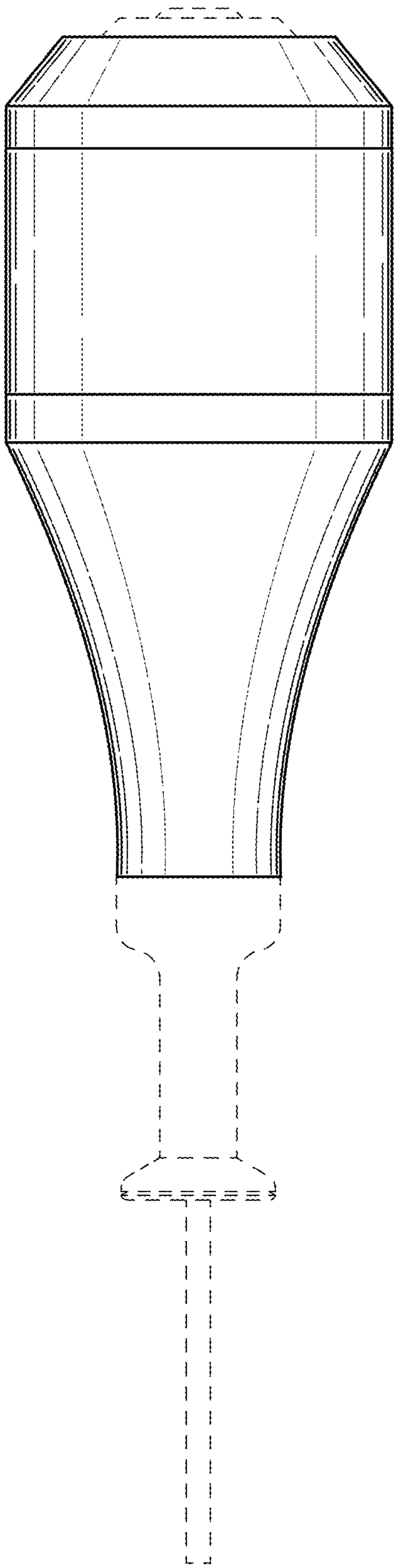


FIG. 4

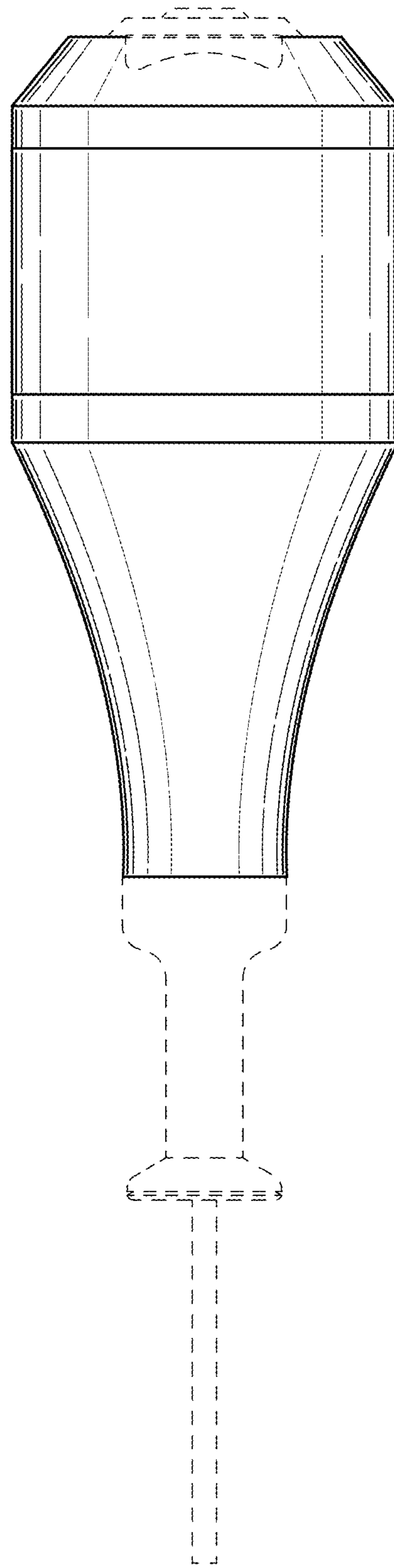


FIG. 5

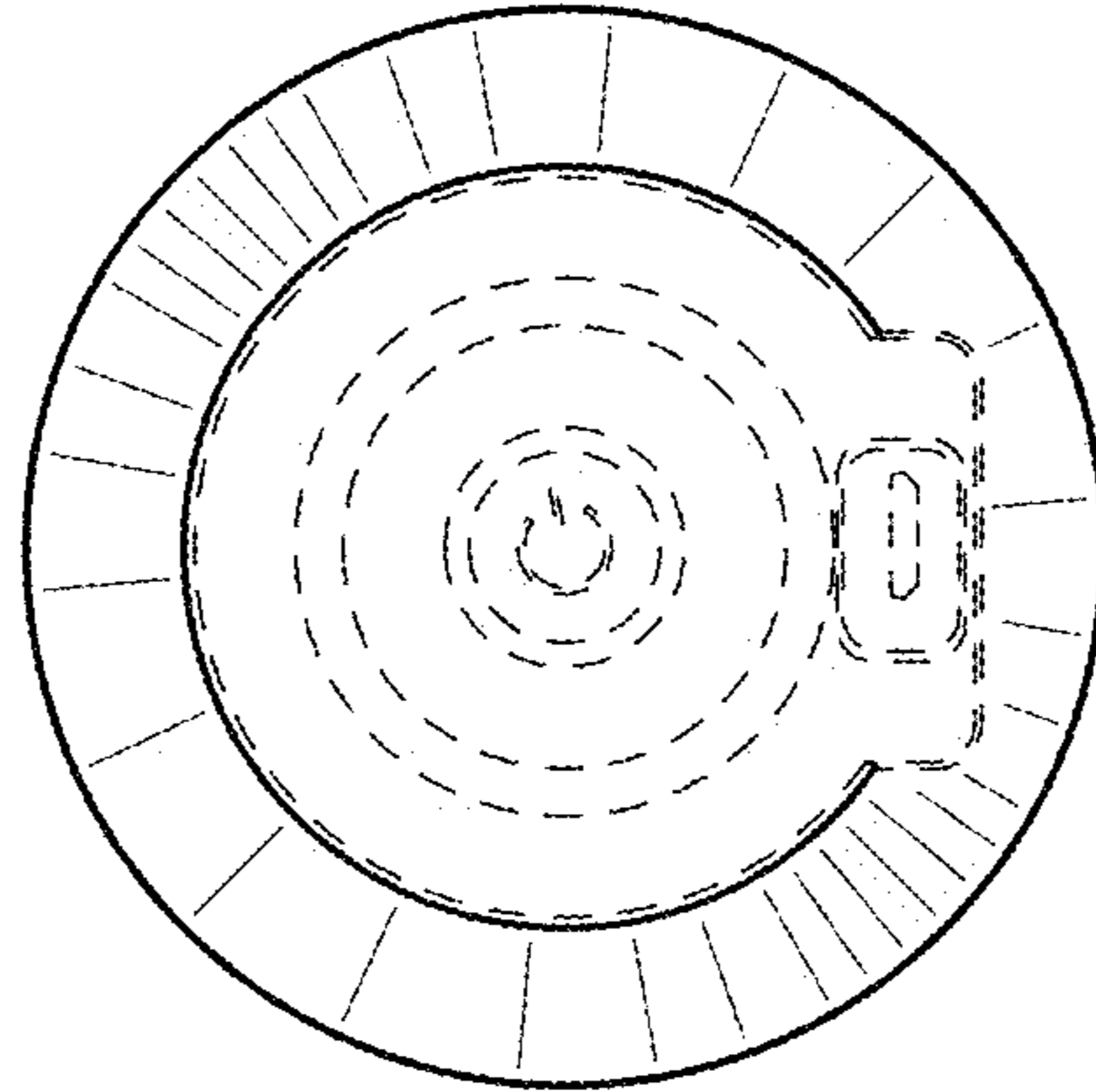


FIG. 6

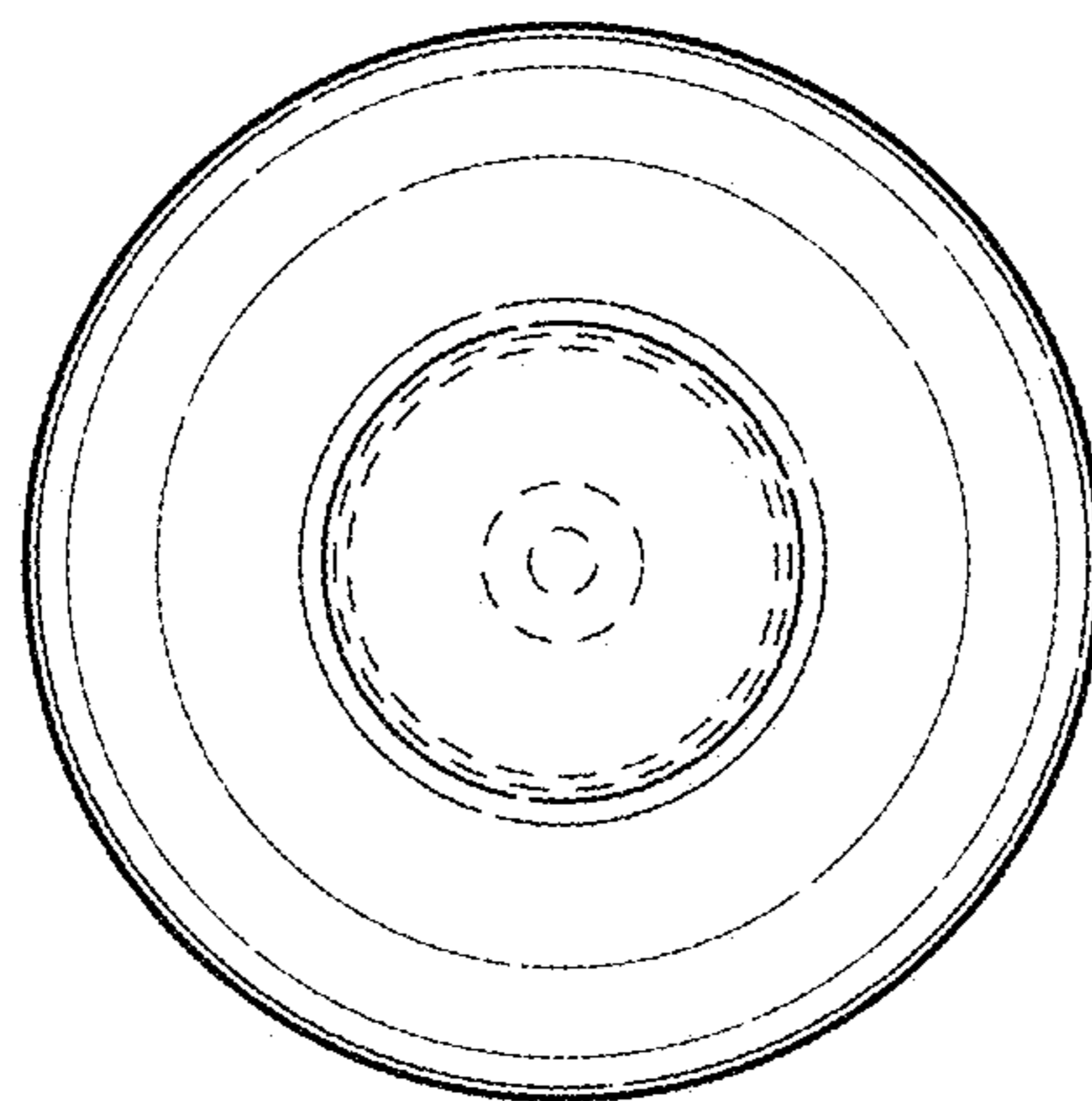


FIG. 7