



US00D887204S

(12) **United States Design Patent** (10) **Patent No.:** **US D887,204 S**
Palin et al. (45) **Date of Patent:** **** Jun. 16, 2020**

(54) **BOTTLE**

(71) Applicant: **PepsiCo, Inc.**, Purchase, NY (US)
(72) Inventors: **Drew Alexander Read Palin**,
Kenilworth, IL (US); **Xavi Cortadellas**,
Miami Beach, FL (US); **Sean Joseph
Huls**, Chicago, IL (US); **Tucker H.
Fort**, Brooklyn, NY (US); **Alexander
Ian James Wastney**, Brooklyn, NY
(US); **John Traub**, Brooklyn, NY (US);
Boris Kontorovich, Brooklyn, NY
(US); **Melissa L. Anderson**, Bradenton,
FL (US); **Rebecca K. Randell**,
Leicestershire (GB)

(73) Assignee: **PepsiCo, Inc.**, Purchase, NY (US)

(**) Term: **15 Years**

(21) Appl. No.: **29/680,411**

(22) Filed: **Feb. 15, 2019**

Related U.S. Application Data

(63) Continuation of application No. 29/539,288, filed on
Sep. 11, 2015, now Pat. No. Des. 842,106.

(51) **LOC (12) Cl.** **07-99**

(52) **U.S. Cl.**
USPC **D7/396.2**

(58) **Field of Classification Search**
USPC D3/201, 202, 203.1, 203.2, 396.2;
D7/300, 300.1, 395, 396.2, 393, 396.4,
D7/400, 509, 511, 591, 602, 608, 619.1,
D7/624.1, 624.2, 629, 630; D9/434, 435,
D9/440, 449, 450, 452, 453, 454, 500;
D12/114, 197, 202, 207, 208, 218, 220;

(Continued)

(56) **References Cited**

U.S. PATENT DOCUMENTS

D402,889 S 12/1998 Rutter
D405,693 S 2/1999 Bretz et al.

(Continued)

FOREIGN PATENT DOCUMENTS

KR 20150008231 A * 1/2015

OTHER PUBLICATIONS

Daway Rechargeable Insulated Smart Water Bottle: Site Visited [Jun.
12, 2019]. Available from Internet URL: [https://www.daway.cc/
product/smart-water-bottle/](https://www.daway.cc/product/smart-water-bottle/).*

(Continued)

Primary Examiner — Jennifer Rivard

Assistant Examiner — Catherine S Posthauer

(74) *Attorney, Agent, or Firm* — Sterne, Kessler,
Goldstein & Fox, P.L.L.C.

(57) **CLAIM**

The ornamental design for a bottle, as shown and described.

DESCRIPTION

FIG. 1 is a top front perspective view of a bottle showing the
claimed design;

FIG. 2 is a bottom front perspective view thereof;

FIG. 3 is a front view thereof;

FIG. 4 is a rear view thereof;

FIG. 5 is a left side view thereof;

FIG. 6 is a right side view thereof;

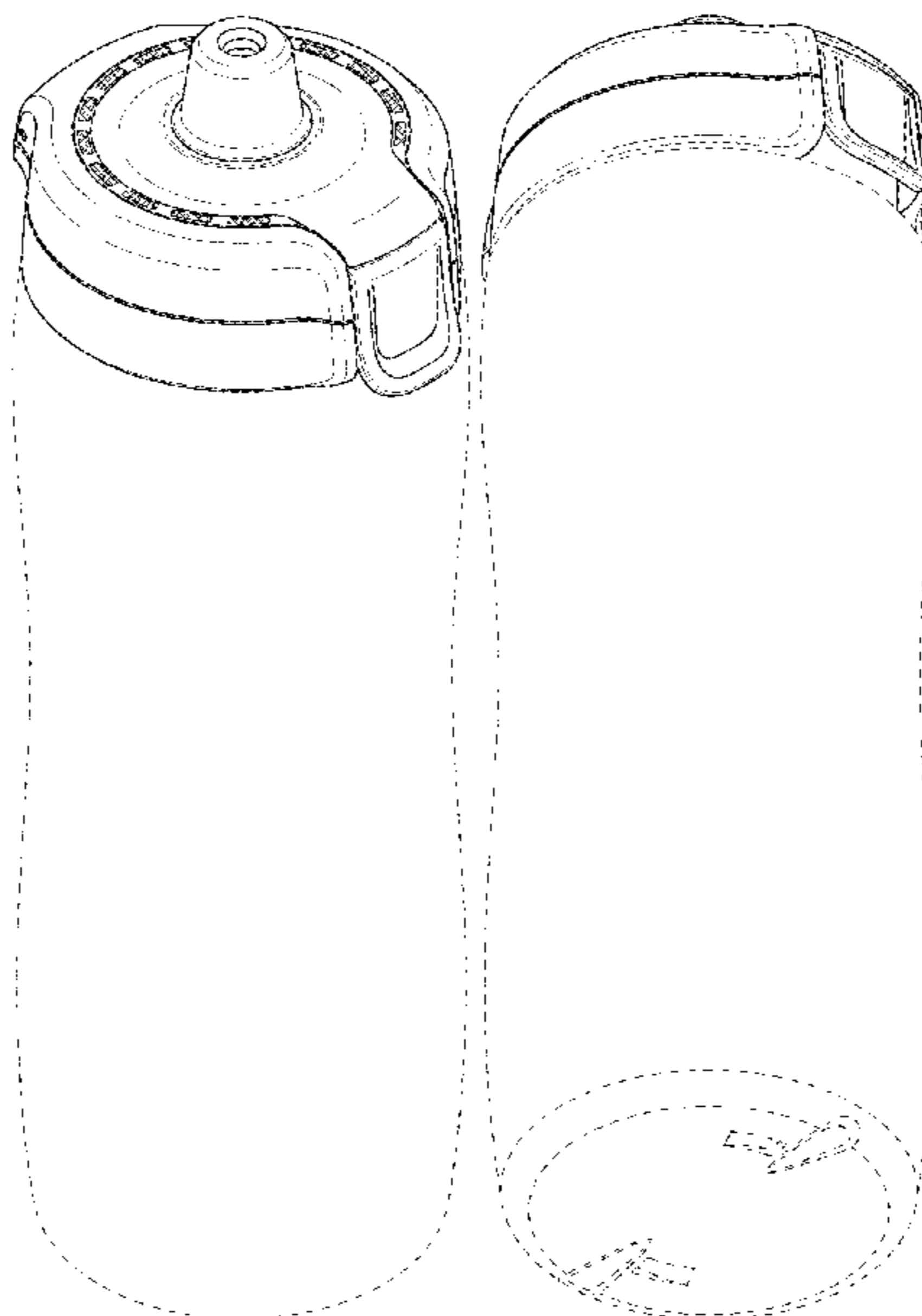
FIG. 7 is a top view thereof; and,

FIG. 8 is a bottom view thereof.

The figures are illustrated to show contrasting appearance.
The hatched portions have a different appearance than the
non-hatched portions.

The broken lines in the figures show portions of the bottle
that form no part of the claimed design.

1 Claim, 8 Drawing Sheets



(58) **Field of Classification Search**

USPC D21/524, 525, 532; D23/206, 259, 250,
 D23/261; D24/121, 127, 199, 224;
 D28/7, 76, 78, 82, 85, 91; D34/10, 11;
 D8/354; D26/26, 28, 139
 CPC B65D 50/041; B65D 23/00; B65D 1/00;
 B65D 1/02; B65D 1/0223; B65D 1/0207;
 B65D 1/0246; B65D 1/08; B65D 1/10;
 B65D 2501/00; B65D 2501/0009; B65D
 83/06; A61J 1/03; A61J 1/05; A47G
 19/22; A47G 19/2205; A47G 19/2266

See application file for complete search history.

(56) **References Cited**

U.S. PATENT DOCUMENTS

D408,221 S 4/1999 Asberg
 D418,363 S 1/2000 Barnes et al.
 D427,852 S 7/2000 Tal et al.
 6,082,575 A 7/2000 Skoskiewicz et al.
 D535,144 S 1/2007 George et al.
 D582,730 S * 12/2008 Kim D7/615
 D600,120 S 9/2009 Kawamura
 D621,705 S 8/2010 Breckan
 D643,718 S 8/2011 Fields
 D649,049 S 11/2011 Fields
 8,051,674 B2 11/2011 Roth et al.
 D649,878 S 12/2011 Weiss et al.
 D655,131 S 3/2012 Nilsson
 D655,569 S 3/2012 Lipson
 D657,194 S 4/2012 Mcintire et al.
 D658,057 S 4/2012 Donat
 D658,059 S 4/2012 Bailey
 D658,431 S 5/2012 Gilbert
 D659,333 S 5/2012 Morris, Jr.
 D660,696 S 5/2012 Weiss
 D661,186 S 6/2012 Snyder
 D669,781 S 10/2012 Fields
 D677,161 S 3/2013 Titherington
 D677,523 S 3/2013 Bickert et al.
 D691,420 S 10/2013 Mcintire
 D693,765 S 11/2013 Workman et al.
 D697,301 S 1/2014 Barbour, Jr.
 D721,920 S 2/2015 Coon et al.
 D731,240 S 6/2015 Bell et al.

D736,562 S 8/2015 Green et al.
 D742,698 S 11/2015 Kellow, Jr.
 D749,416 S 2/2016 Herbst
 D752,435 S 3/2016 Willows et al.
 D759,485 S * 6/2016 Boroski D9/449
 D760,027 S 6/2016 Meyers et al.
 D762,475 S 8/2016 Turner et al.
 D764,232 S * 8/2016 Marina D7/513
 D774,357 S 12/2016 Palin et al.
 D777,529 S 1/2017 Kellow, Jr.
 D781,652 S 3/2017 Matthis et al.
 9,694,953 B2 * 7/2017 Meyers A47G 19/2266
 D795,647 S * 8/2017 Heiberger D7/511
 9,870,450 B2 * 1/2018 Blackburn A61J 7/0076
 D810,510 S * 2/2018 Serruya D7/511
 D815,917 S * 4/2018 Rigbi D7/591
 D818,320 S * 5/2018 Campbell D7/591
 D822,427 S * 7/2018 Sorensen D7/392.1
 D842,106 S * 3/2019 Palin D9/447
 D850,913 S * 6/2019 Ke D9/452
 2006/0071011 A1 * 4/2006 Varvarelis A61J 7/0481
 221/9
 2007/0012712 A1 * 1/2007 Syiau A61J 7/0481
 221/2
 2007/0090111 A1 * 4/2007 Alvares B65D 7/42
 220/257.2
 2007/0108210 A1 * 5/2007 Alvares B65D 21/0219
 220/270
 2014/0074283 A1 * 3/2014 Blackburn A61J 7/0076
 700/237
 2014/0144870 A1 * 5/2014 Brosius A45F 3/18
 215/387
 2014/0339248 A1 * 11/2014 Reddy A61J 7/0076
 221/1
 2015/0008231 A1 1/2015 Kellow, Jr.
 2016/0200486 A1 * 7/2016 Meyers A47G 19/2266
 2017/0240321 A1 * 8/2017 Sims A47G 19/2272
 2017/0334631 A1 * 11/2017 Veltri B65D 47/0885
 2018/0290801 A1 * 10/2018 Barnett B65D 43/0235

OTHER PUBLICATIONS

Best Smart Water Bottles of 2019: Announced Jan. 20, 2019
 [online]. Site Visited [Jun. 12, 2019]. Available from Internet URL:
<https://www.mbreviews.com/best-smart-water-bottle/>.*

* cited by examiner

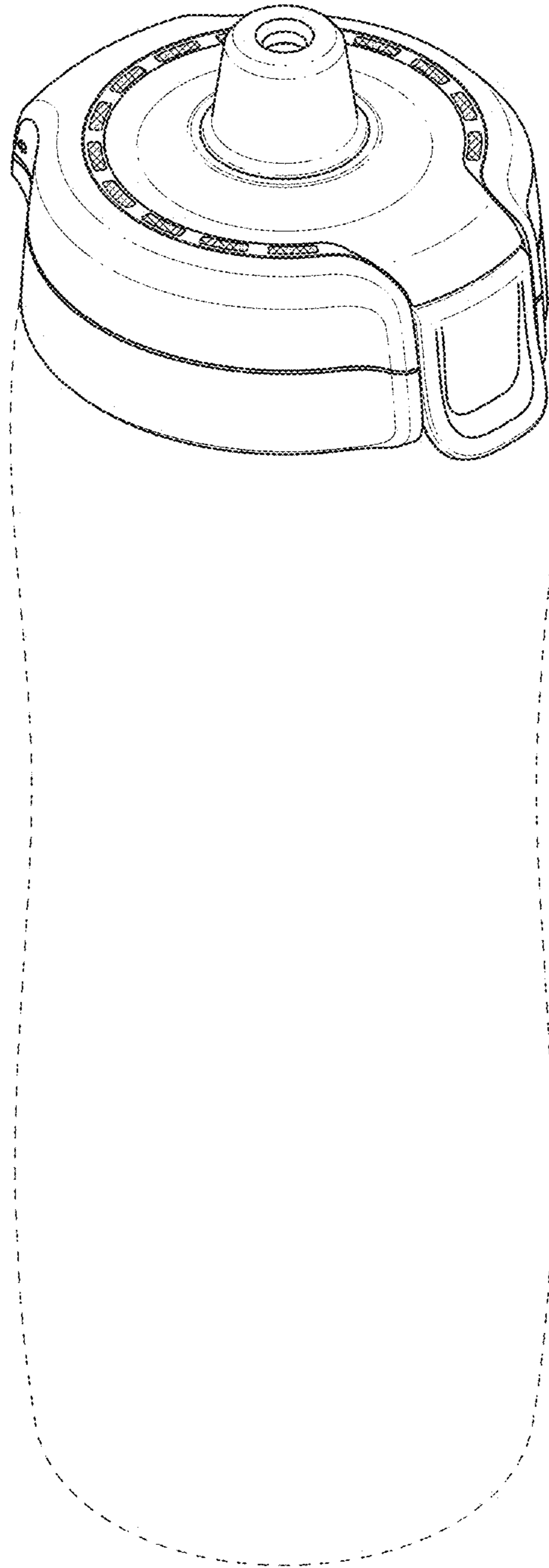


FIG. 1

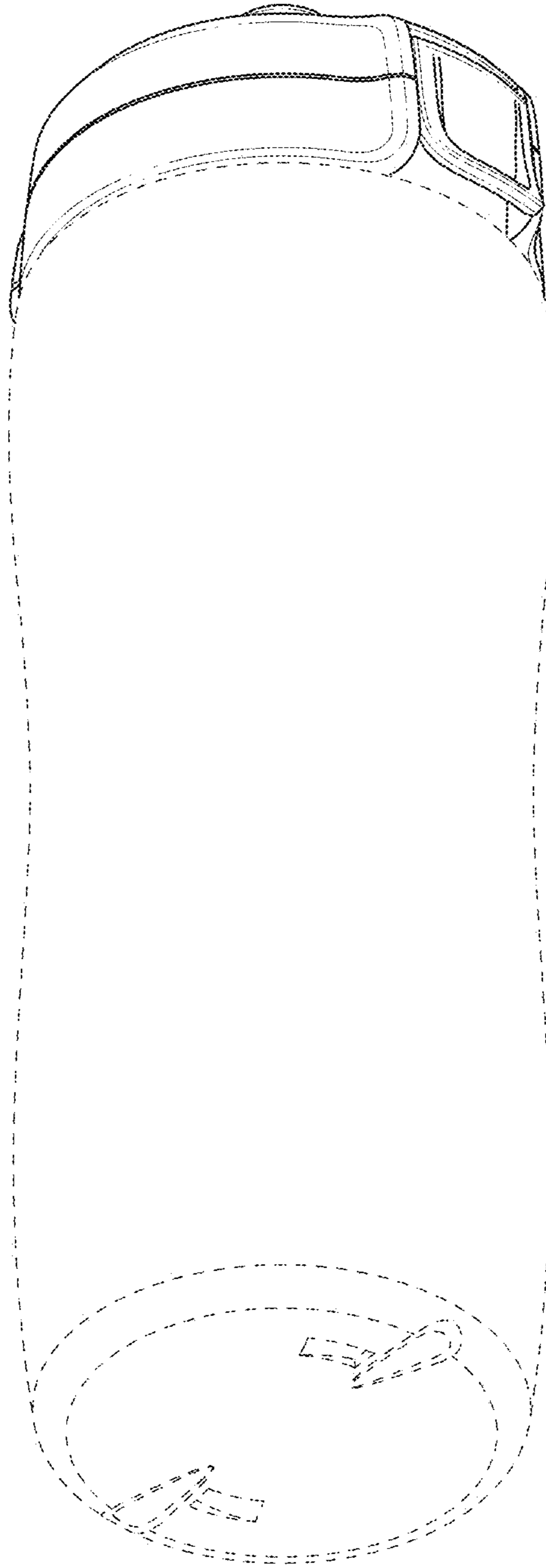


FIG. 2

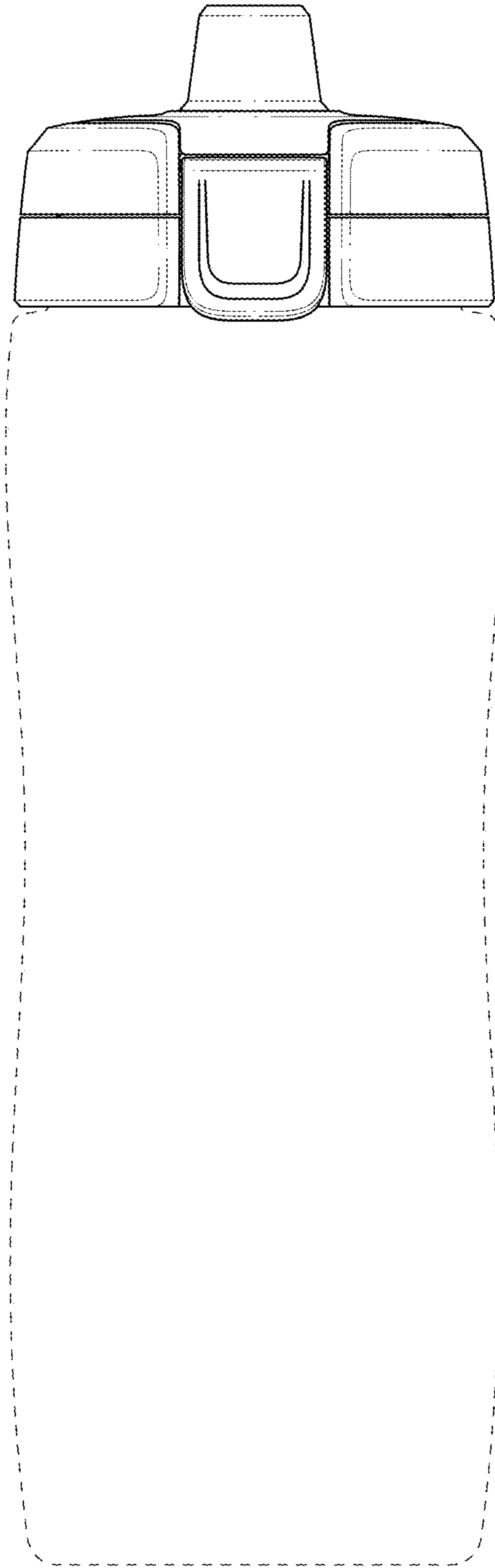


FIG. 3

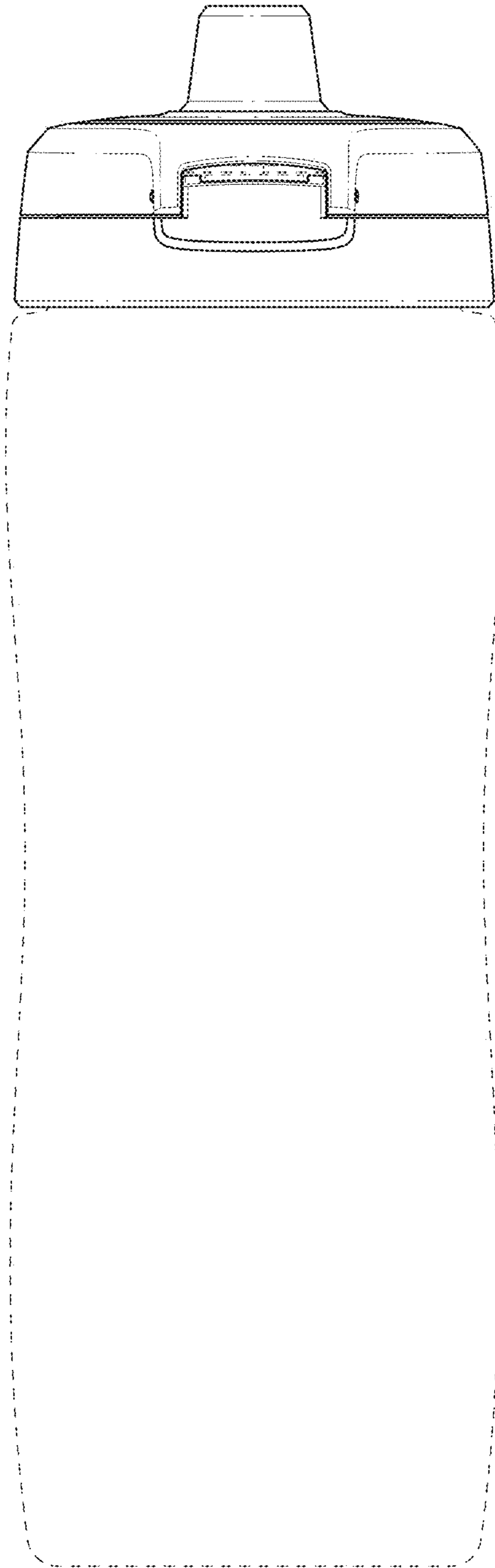


FIG. 4

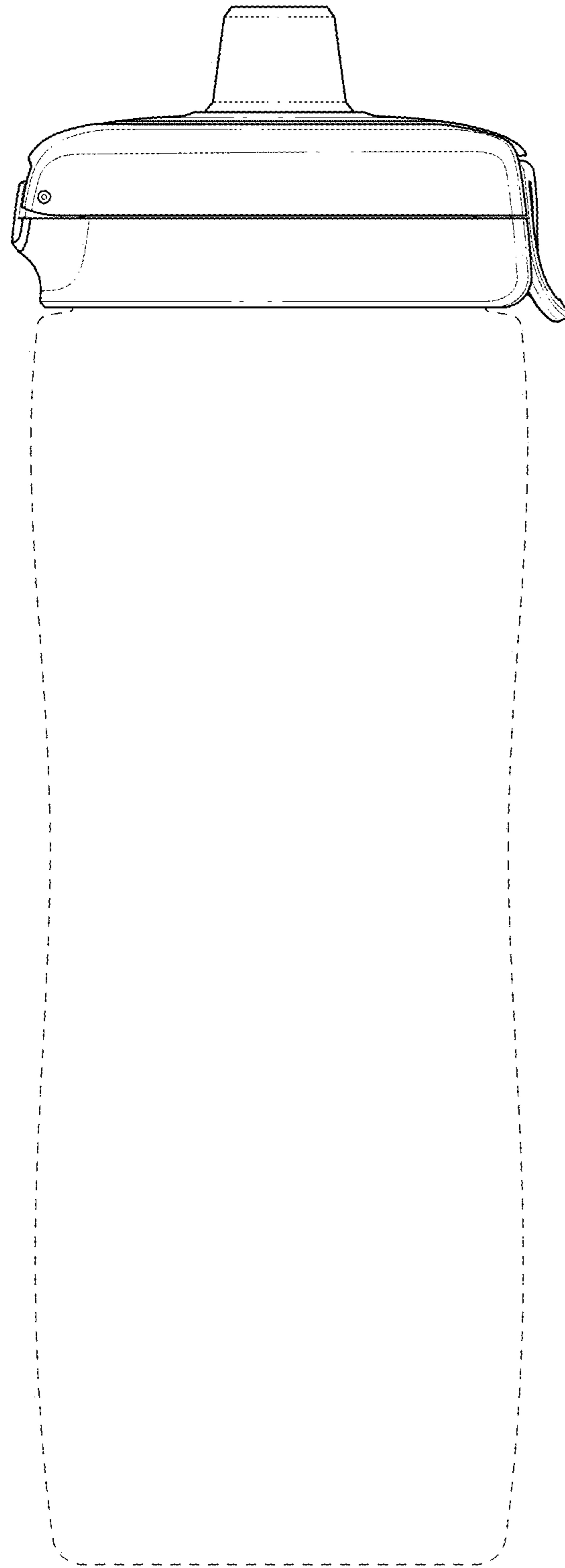


FIG. 5

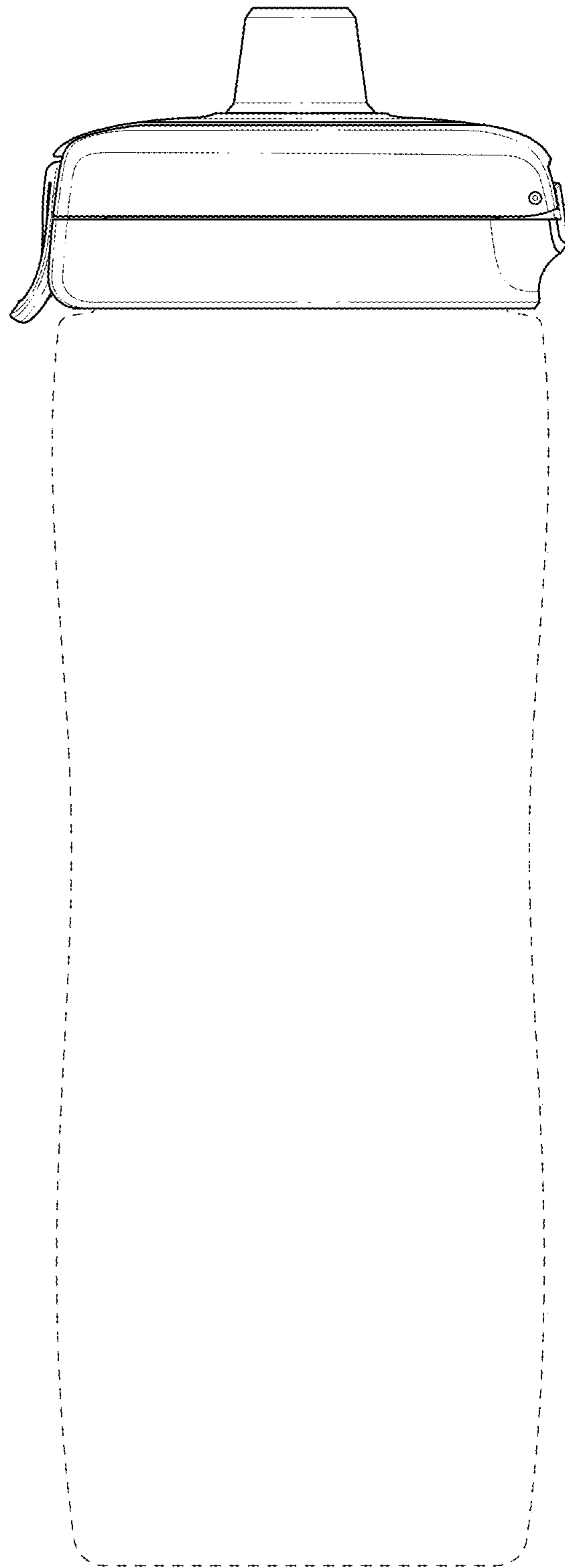


FIG. 6

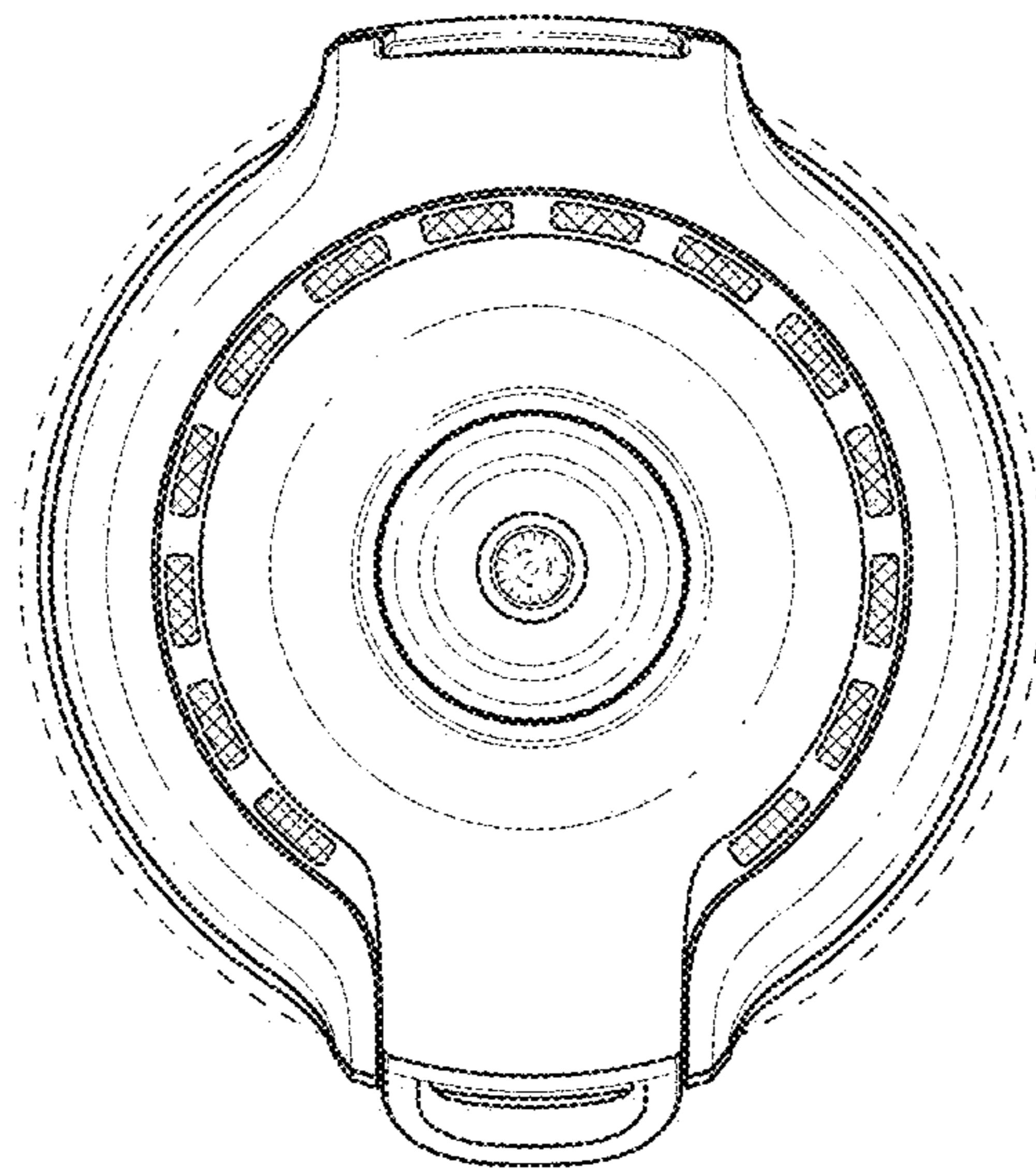


FIG. 7

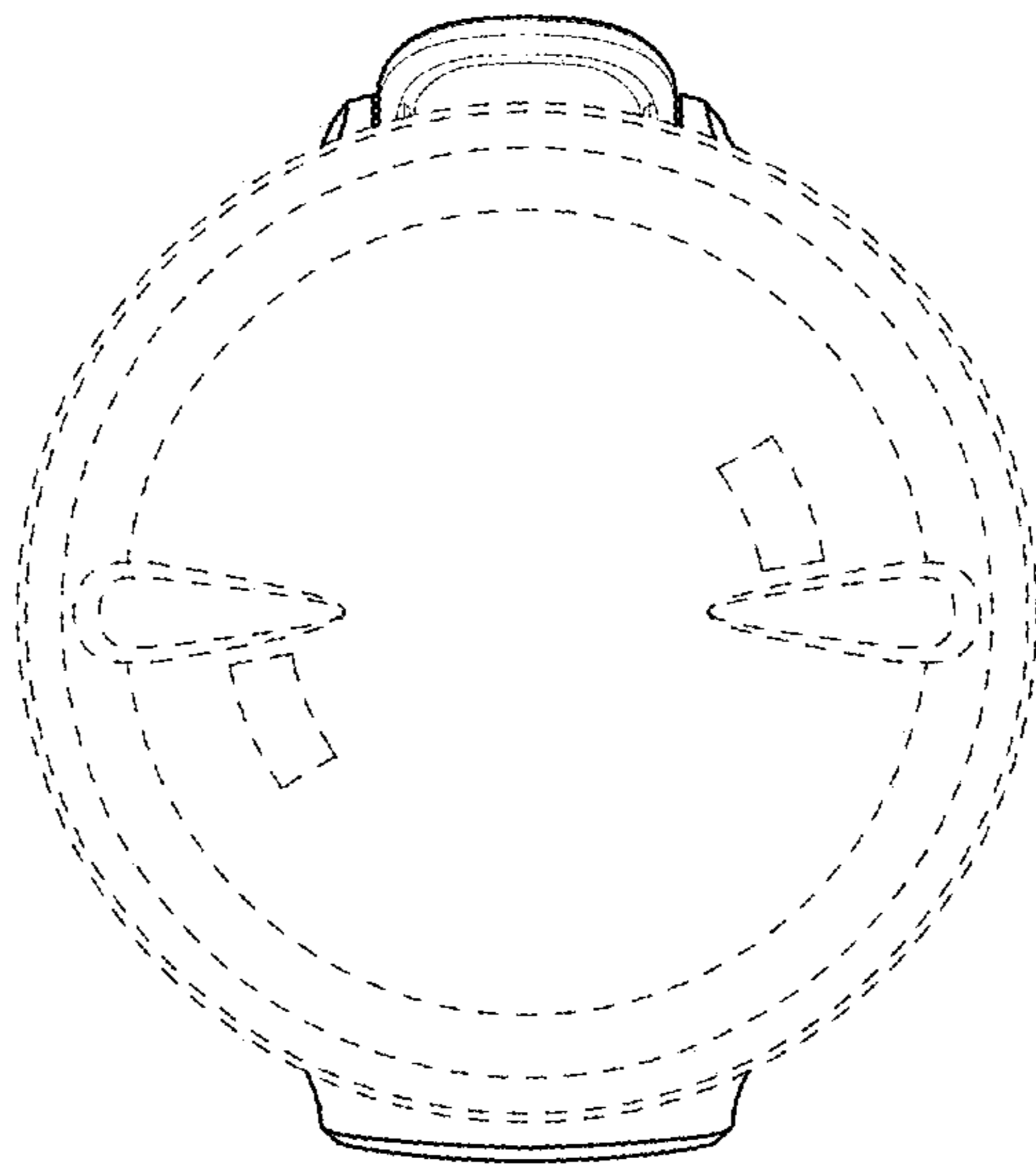


FIG. 8