



US00D887203S

(12) **United States Design Patent**  
**Pan**

(10) **Patent No.:** **US D887,203 S**  
(45) **Date of Patent:** **\*\* Jun. 16, 2020**

- (54) **CUP LID**
- (71) Applicant: **Wei-Chih Pan**, Taoyuan (TW)
- (72) Inventor: **Wei-Chih Pan**, Taoyuan (TW)
- (\*\*) Term: **15 Years**
- (21) Appl. No.: **29/660,622**
- (22) Filed: **Aug. 22, 2018**
- (51) **LOC (12) Cl.** ..... **07-99**
- (52) **U.S. Cl.**  
USPC ..... **D7/396.2**
- (58) **Field of Classification Search**  
USPC .... D3/202; D7/500, 509, 510, 550.1, 553.1,  
D7/553.2, 553.6, 354, 357, 387, 388, 391,  
D7/392, 392.1, 396.1, 396.2, 396.3,  
D7/396.6, 397; D9/758, 761, 424, 432,  
D9/430, 434, 435, 455, 456, 447, 449,  
D9/450, 452, 453  
CPC ..... A47G 19/2272; B65D 43/02; B65D  
43/0214; B65D 43/0202; B65D 41/34;  
B65D 53/02; B65D 50/041; B65D  
2501/00; B65D 2501/0009; B65D 47/06;  
B65D 47/36; B65D 47/247; B65D  
47/265; B65D 47/283; B65D 47/08;  
B65D 47/065; B65D 47/361; A61J 1/16;  
F16B 47/00  
See application file for complete search history.

(56) **References Cited**

**U.S. PATENT DOCUMENTS**

- 6,419,112 B1 \* 7/2002 Bruce ..... B65D 21/0219  
206/509
- D516,424 S \* 3/2006 Schweigert ..... D9/447
- D543,777 S \* 6/2007 Seum ..... D7/392.1
- D570,213 S \* 6/2008 Newman ..... D9/447
- D615,861 S \* 5/2010 Watts ..... D9/445
- D666,052 S \* 8/2012 Trombly ..... D7/392.1
- D666,490 S \* 9/2012 Leon ..... D9/447

- D696,941 S \* 1/2014 Kim ..... D9/447
- D696,942 S \* 1/2014 Kim ..... D9/447
- D722,498 S \* 2/2015 Fleming ..... D9/447
- D736,623 S \* 8/2015 Brannock ..... D9/447
- D754,535 S \* 4/2016 Kim ..... D9/435
- D756,773 S \* 5/2016 Brannock ..... D9/438
- D761,104 S \* 7/2016 Buck ..... D9/447
- D794,449 S \* 8/2017 Polt ..... D9/434
- D820,678 S \* 6/2018 Chapman ..... D9/447
- 10,219,642 B2 \* 3/2019 Savenok ..... A47G 19/2272
- 10,264,902 B2 \* 4/2019 Althaher ..... B65D 43/0214
- D859,988 S \* 9/2019 Brannock ..... D9/447
- 2006/0071008 A1 \* 4/2006 Sadlier ..... B65D 43/0218  
220/713

(Continued)

**OTHER PUBLICATIONS**

Starbucks Strawless Lid: Announced May 24, 2018 [online]. Site Visited [May 15, 2015]. Available from Internet URL: <https://www.youtube.com/watch?v=zKERylmkNow>.\*

(Continued)

*Primary Examiner* — Catherine S Posthauer

(74) *Attorney, Agent, or Firm* — Muncy, Geissler, Olds & Lowe, P.C.

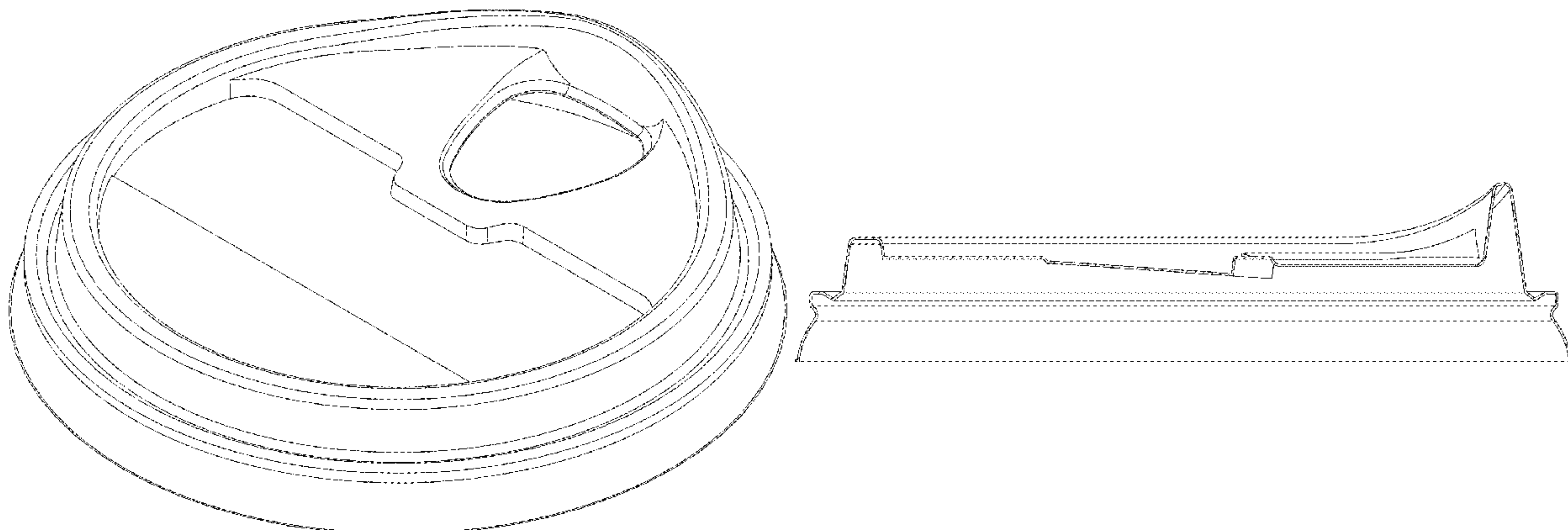
(57) **CLAIM**

The ornamental design for a cup lid, as shown and described.

**DESCRIPTION**

FIG. 1 is a top perspective view of a cup lid showing my new design;  
 FIG. 2 is a front elevational view thereof;  
 FIG. 3 is a rear elevational view thereof;  
 FIG. 4 is a left side elevational view thereof;  
 FIG. 5 is a right side elevational view thereof;  
 FIG. 6 is a top plan view thereof;  
 FIG. 7 is a bottom plan view thereof; and,  
 FIG. 8 is a cross-sectional view thereof, taken in the direction of line 8-8 on FIG. 6.

**1 Claim, 8 Drawing Sheets**



(56)

**References Cited**

U.S. PATENT DOCUMENTS

2009/0250479 A1\* 10/2009 Kaufman ..... A47G 19/2272  
220/713  
2009/0266829 A1\* 10/2009 Bailey ..... B65D 43/0202  
220/713  
2011/0062158 A1\* 3/2011 Hung ..... B65D 51/224  
220/212  
2011/0114655 A1\* 5/2011 Bailey ..... B65D 43/0214  
220/713  
2012/0152968 A1\* 6/2012 Bailey ..... B65D 43/0212  
220/713  
2013/0233898 A1\* 9/2013 Resnikoff ..... B65D 47/06  
222/568  
2013/0320018 A1\* 12/2013 Crosby ..... B65D 41/18  
220/345.3  
2014/0042177 A1\* 2/2014 Fleming ..... B65D 43/02  
220/713  
2015/0014322 A1\* 1/2015 Kim ..... B65D 43/0212  
220/373  
2017/0275065 A1\* 9/2017 Santos, III ..... B65D 51/1611

OTHER PUBLICATIONS

Starbucks Drink Through Lid: Announced Jul. 23, 2018 [online].  
Site Visited [Oct. 15, 2019]. Available from Internet URL: <https://www.theguardian.com/business/2018/jul/23/starbucks-straws-ban-2020-environment>.\*

\* cited by examiner

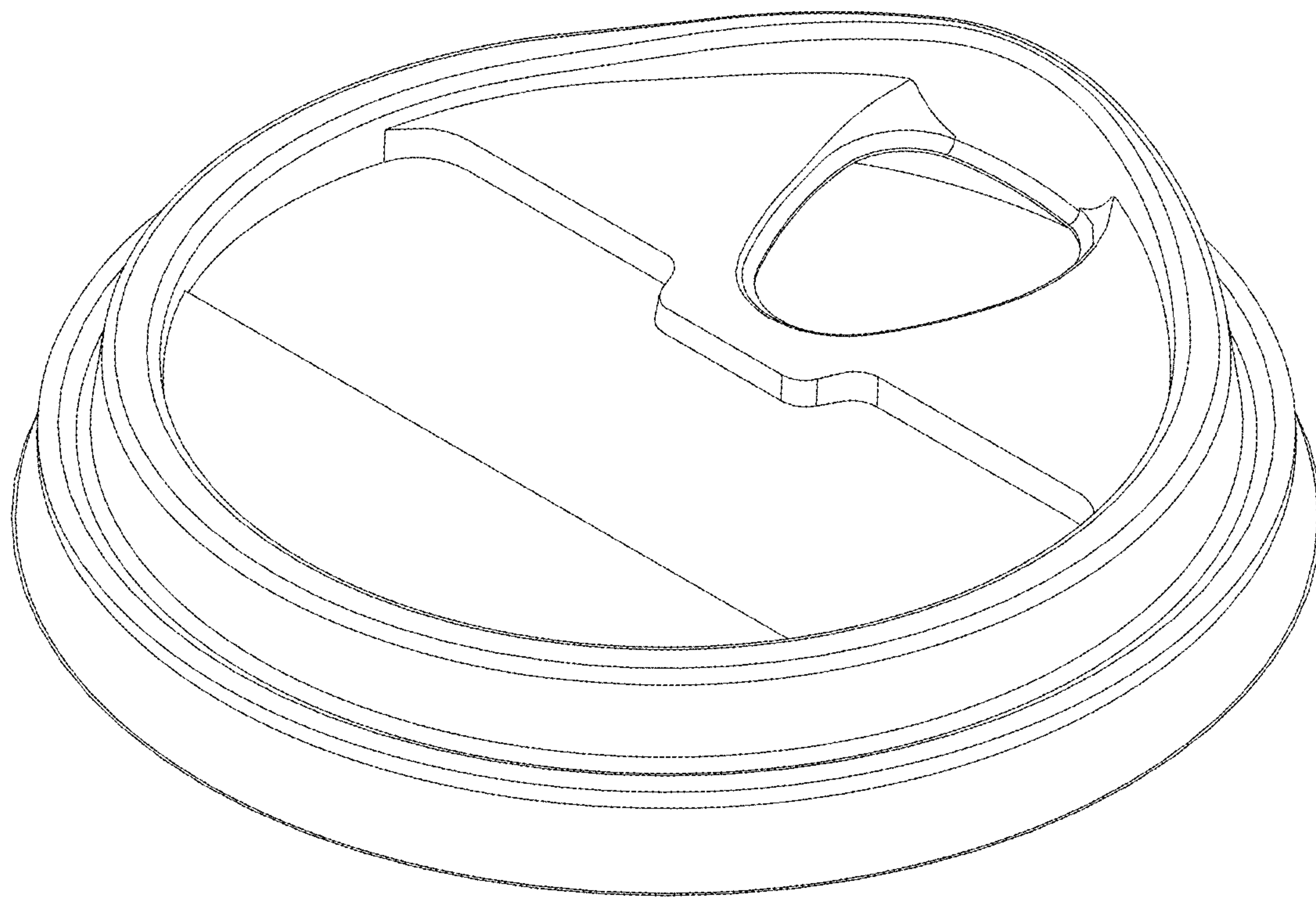


Fig.1

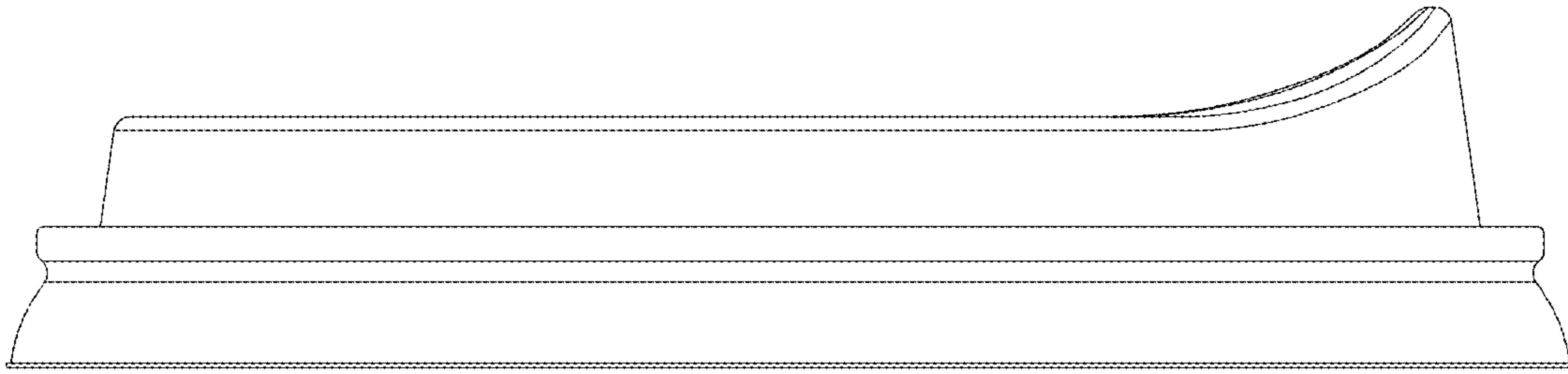


Fig.2

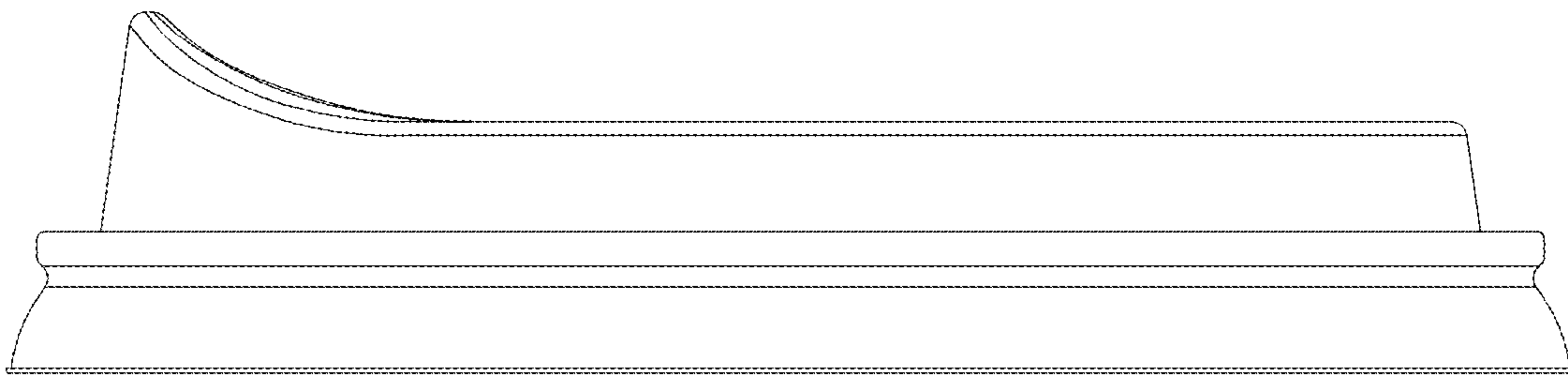


Fig.3

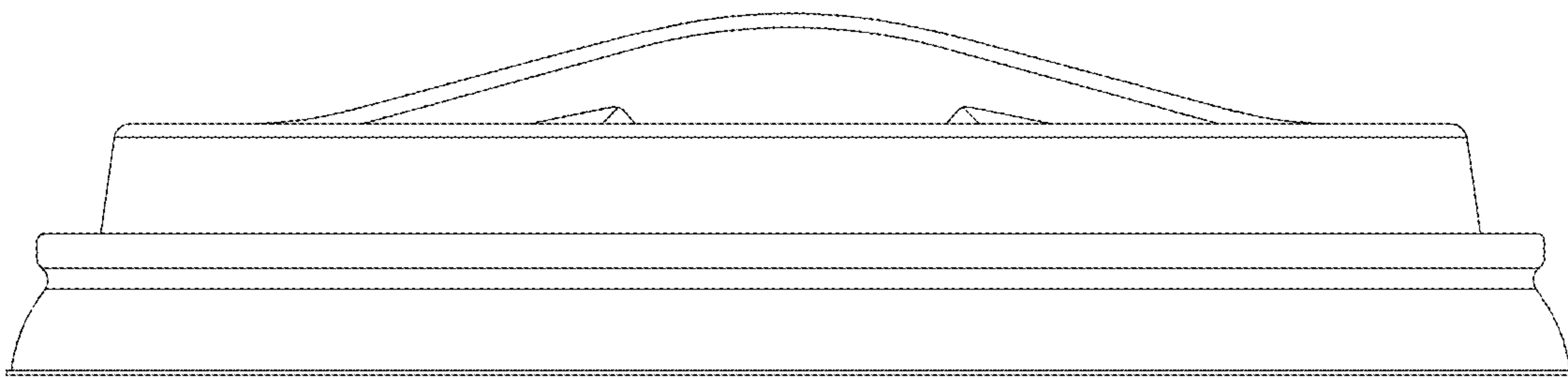


Fig.4

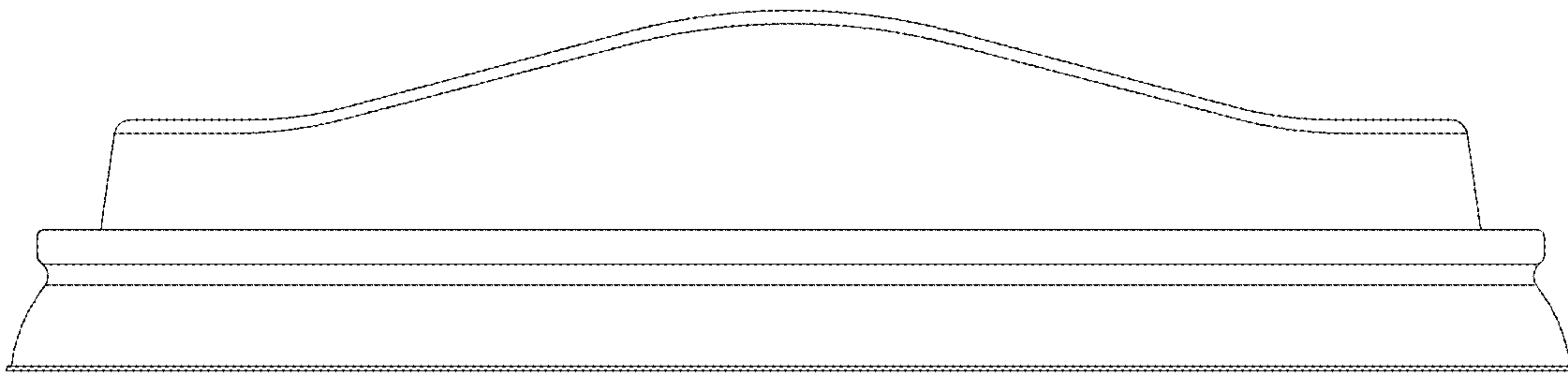


Fig.5



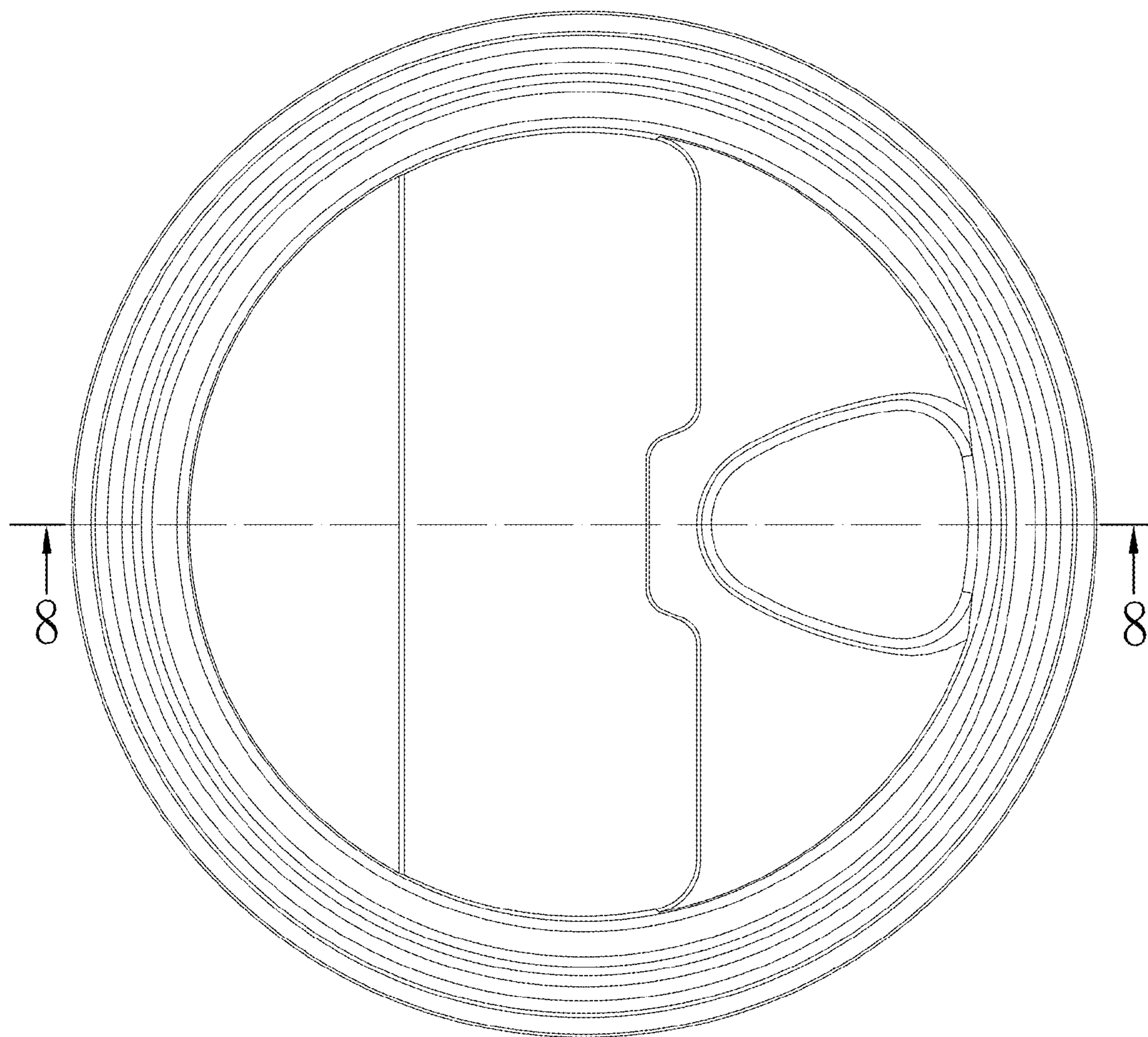


Fig.6



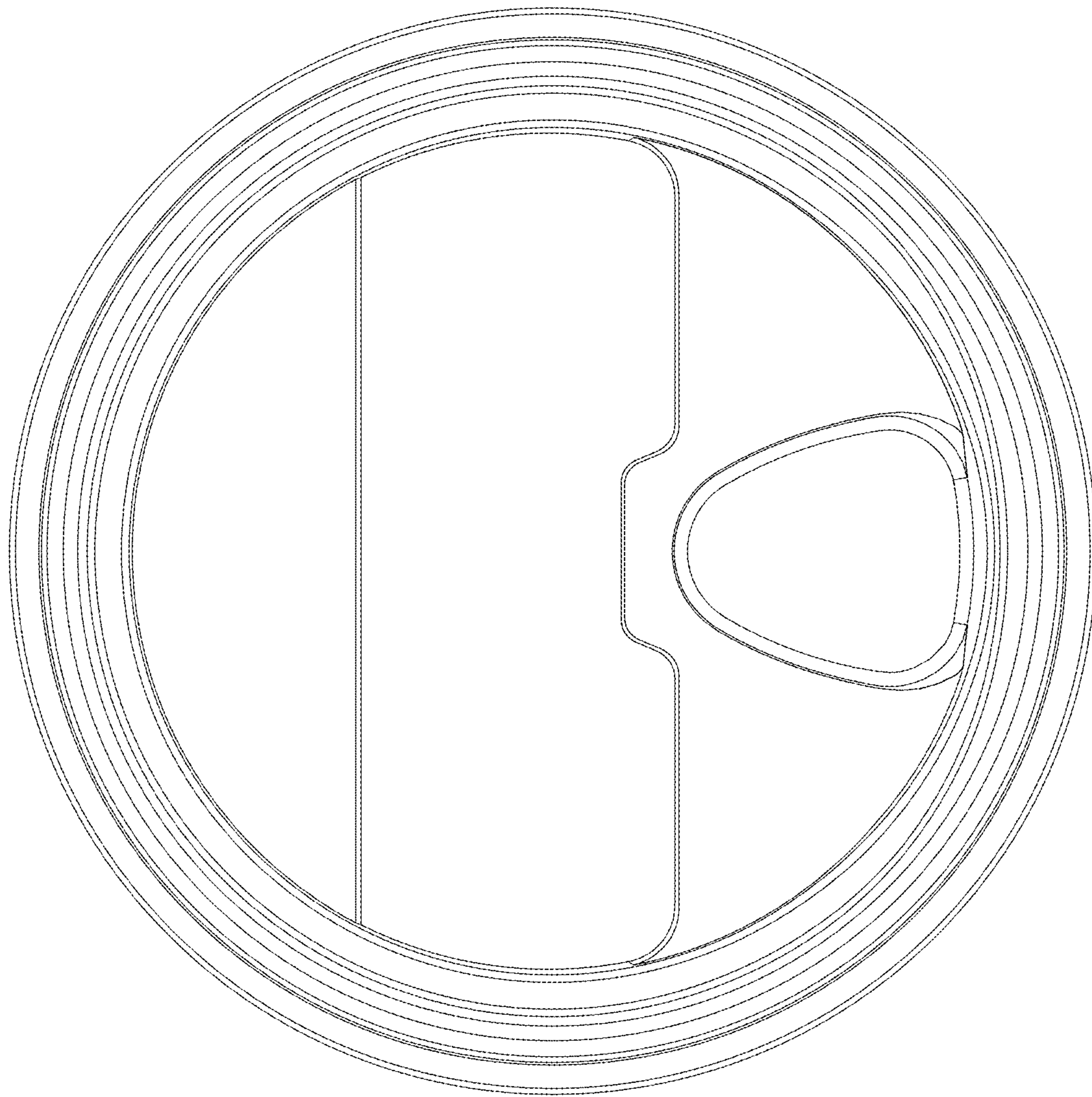


Fig.7

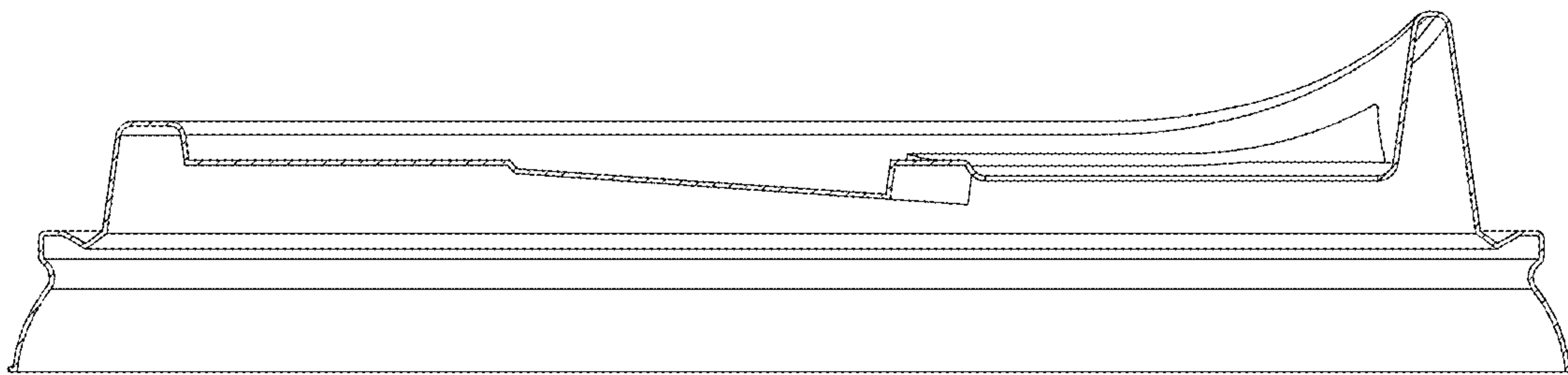


Fig.8