



US00D887202S

(12) **United States Design Patent**  
**Wadsworth**

(10) **Patent No.:** **US D887,202 S**  
(45) **Date of Patent:** **\*\* Jun. 16, 2020**

(54) **CONTAINER TOP**  
(71) Applicant: **Hydrojug, LLC**, Ogden, UT (US)  
(72) Inventor: **Hayden Wadsworth**, Ogden, UT (US)  
(73) Assignee: **Hydrojug, LLC**, Ogden, UT (US)  
(\*\*) Term: **15 Years**

D820,038 S \* 6/2018 Sorensen ..... D7/392.1  
D826,631 S \* 8/2018 Baron ..... D7/392.1  
D833,224 S \* 11/2018 Wahlkvist ..... D7/510  
D846,392 S \* 4/2019 Markey ..... D9/447  
D854,880 S \* 7/2019 Meyers ..... D7/392.1  
D866,250 S \* 11/2019 Barber ..... D7/392.1  
D878,147 S \* 3/2020 Berresheim ..... D7/392.1  
D878,853 S \* 3/2020 Omdahl, II ..... D7/392.1  
D878,855 S \* 3/2020 Nucci ..... D7/392.1  
2011/0253733 A1 \* 10/2011 Meyers ..... B65D 47/089  
220/833

(21) Appl. No.: **29/679,107**

(Continued)

(22) Filed: **Feb. 1, 2019**

**OTHER PUBLICATIONS**

(51) **LOC (12) Cl.** ..... **07-01**

(52) **U.S. Cl.**

USPC ..... **D7/392.1**; D7/396.2; D9/449; D9/453

(58) **Field of Classification Search**

USPC ..... D3/201, 202; D7/300, 300.1, 317, 321,  
D7/391, 392, 392.1, 396.2, 601, 602,  
D7/619.1, 629; D9/434-436, 439, 440,  
D9/443, 445-447, 449, 452-454, 499

CPC ..... B65D 47/0895; B65D 51/242

See application file for complete search history.

Amazon. HydroJug Half-Gallon Water Bottle. Apr. 15, 2020. <https://www.amazon.in/HydroJug-Half-Gallon-Water-Bottle/dp/B082RJNZRK> (Year: 2020).\*

*Primary Examiner* — Darcey E Gottschalk

(74) *Attorney, Agent, or Firm* — Preston P. Frischknecht; Project CIP

(56) **References Cited**

(57) **CLAIM**

The ornamental design for a container top, as shown and described.

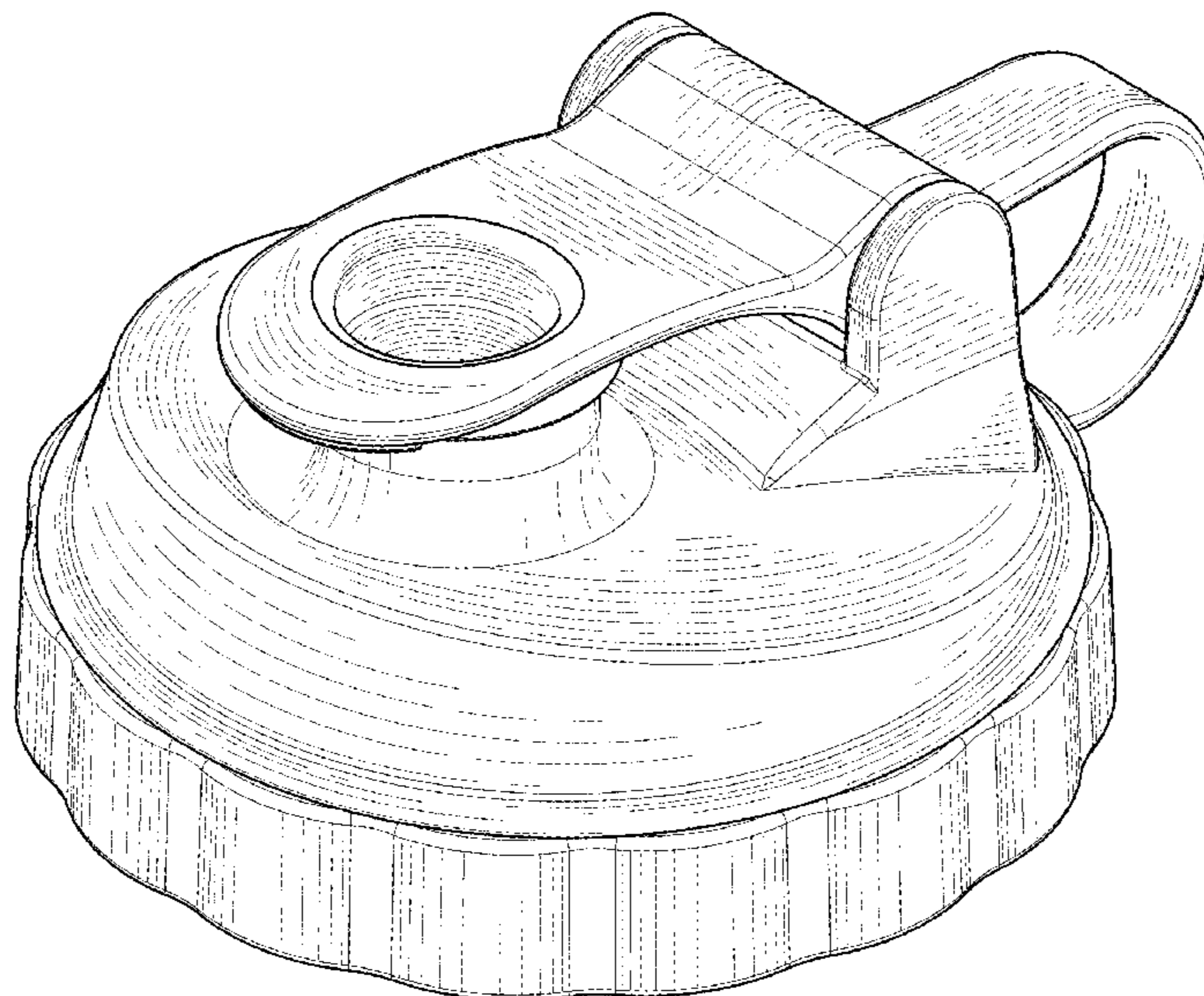
**U.S. PATENT DOCUMENTS**

D508,185 S \* 8/2005 Gauss ..... D7/392.1  
D626,837 S \* 11/2010 Meyers ..... D9/443  
D644,065 S \* 8/2011 Llerena ..... D7/300.1  
D656,357 S \* 3/2012 Enghard ..... D7/300.1  
D682,016 S \* 5/2013 Knight ..... D7/392.1  
D696,551 S \* 12/2013 Meyers ..... D7/392.1  
D742,230 S \* 11/2015 Charles ..... D7/396.2  
D745,827 S \* 12/2015 Sorensen ..... D7/392.1  
D748,430 S \* 2/2016 Sorensen ..... D7/392.1  
D748,478 S \* 2/2016 Sorensen ..... D9/443  
D752,382 S \* 3/2016 Ksiazek ..... D7/392.1  
D752,390 S \* 3/2016 Ksiazek ..... D7/300.1  
D758,127 S \* 6/2016 Zhao ..... D7/392.1  
D766,029 S \* 9/2016 Lin ..... D7/300.1  
D779,872 S \* 2/2017 Bergstrom ..... D7/392.1  
D799,270 S \* 10/2017 Polk, III ..... D7/510  
D810,500 S \* 2/2018 Maple ..... D7/392.1

**DESCRIPTION**

FIG. 1 is a top perspective view;  
FIG. 2 is a front view;  
FIG. 3 is a back view;  
FIG. 4 is a right side view;  
FIG. 5 is a left side view;  
FIG. 6 is a top view;  
FIG. 7 is a bottom view; and,  
FIG. 8 is an alternate top perspective view.  
The dashed lines depict portions of the container top that form no part of the claimed design.

**1 Claim, 8 Drawing Sheets**



(56)

**References Cited**

U.S. PATENT DOCUMENTS

2015/0108079 A1\* 4/2015 Cetera ..... B65D 41/0485  
215/329  
2017/0158384 A1\* 6/2017 Enghard ..... B65D 47/0895

\* cited by examiner

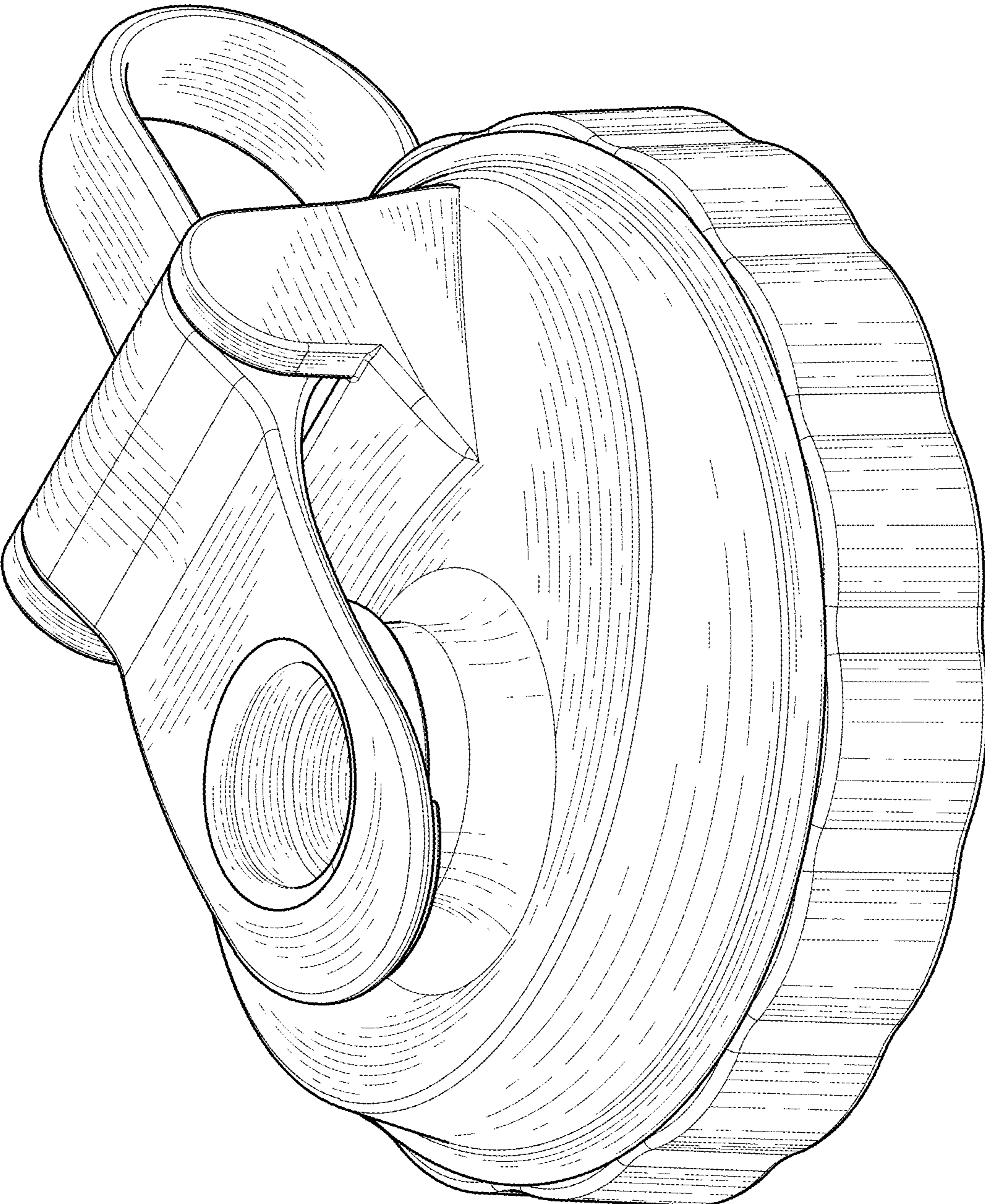


FIG. 1

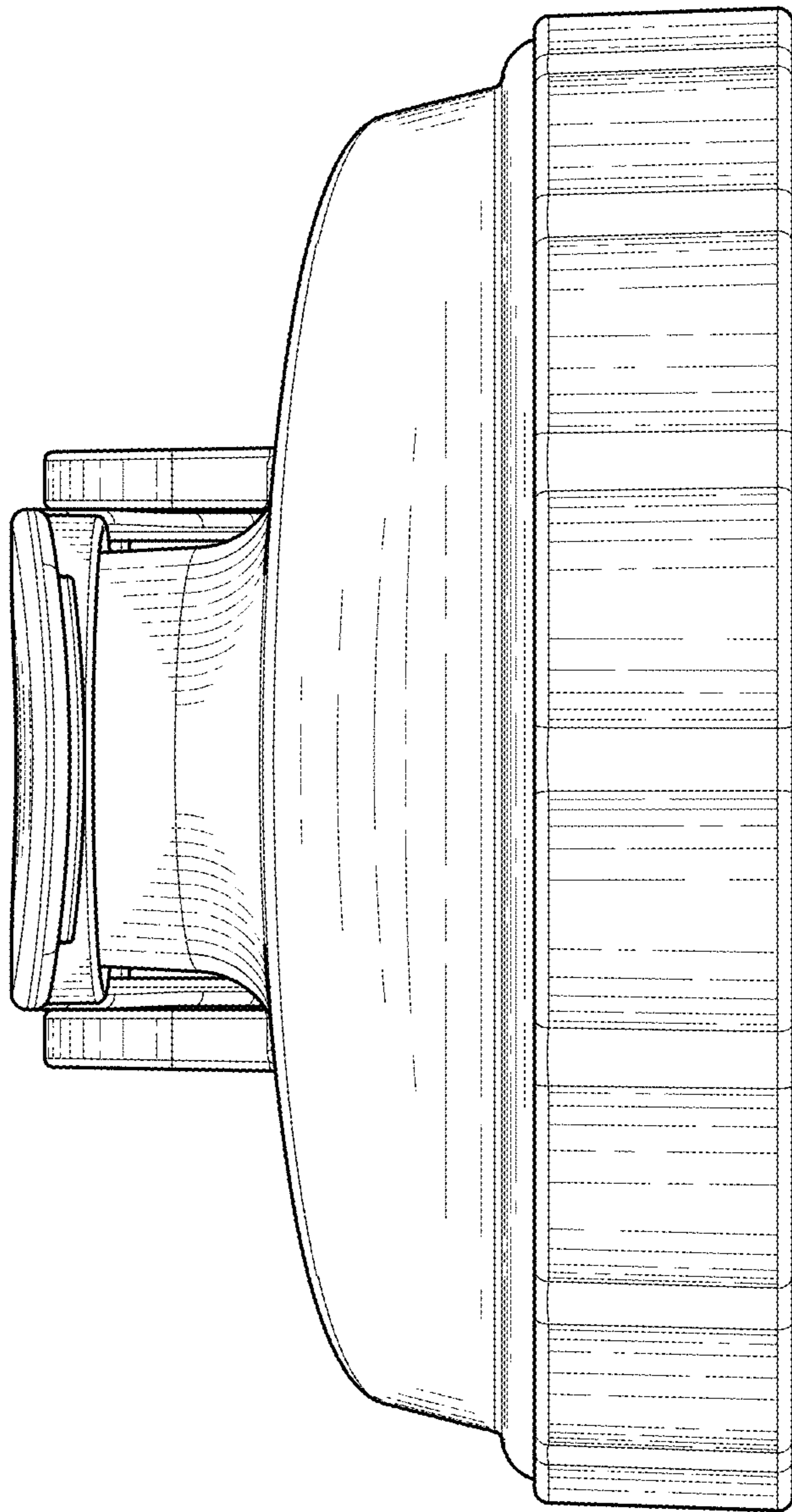


FIG. 2

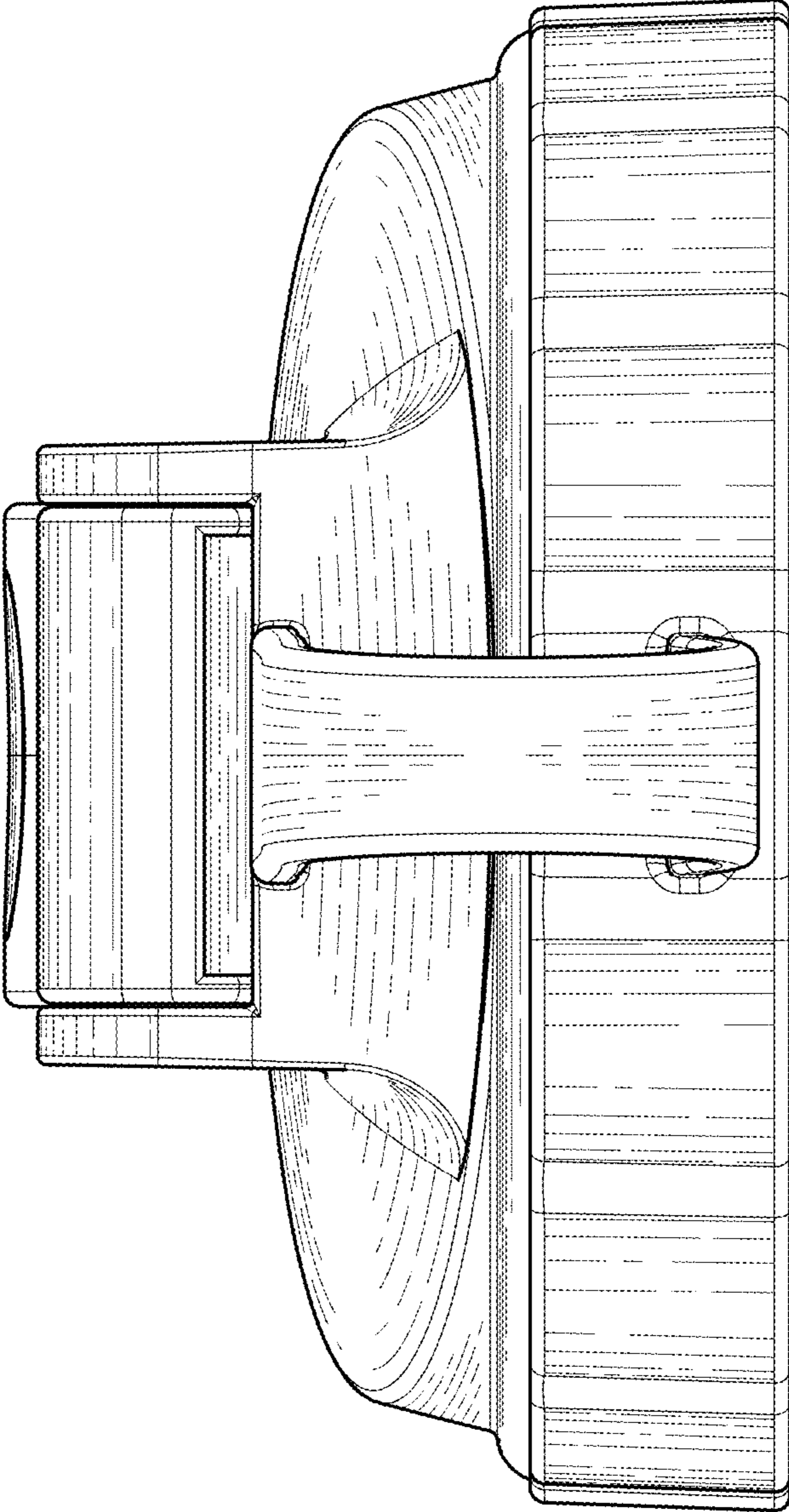


FIG. 3

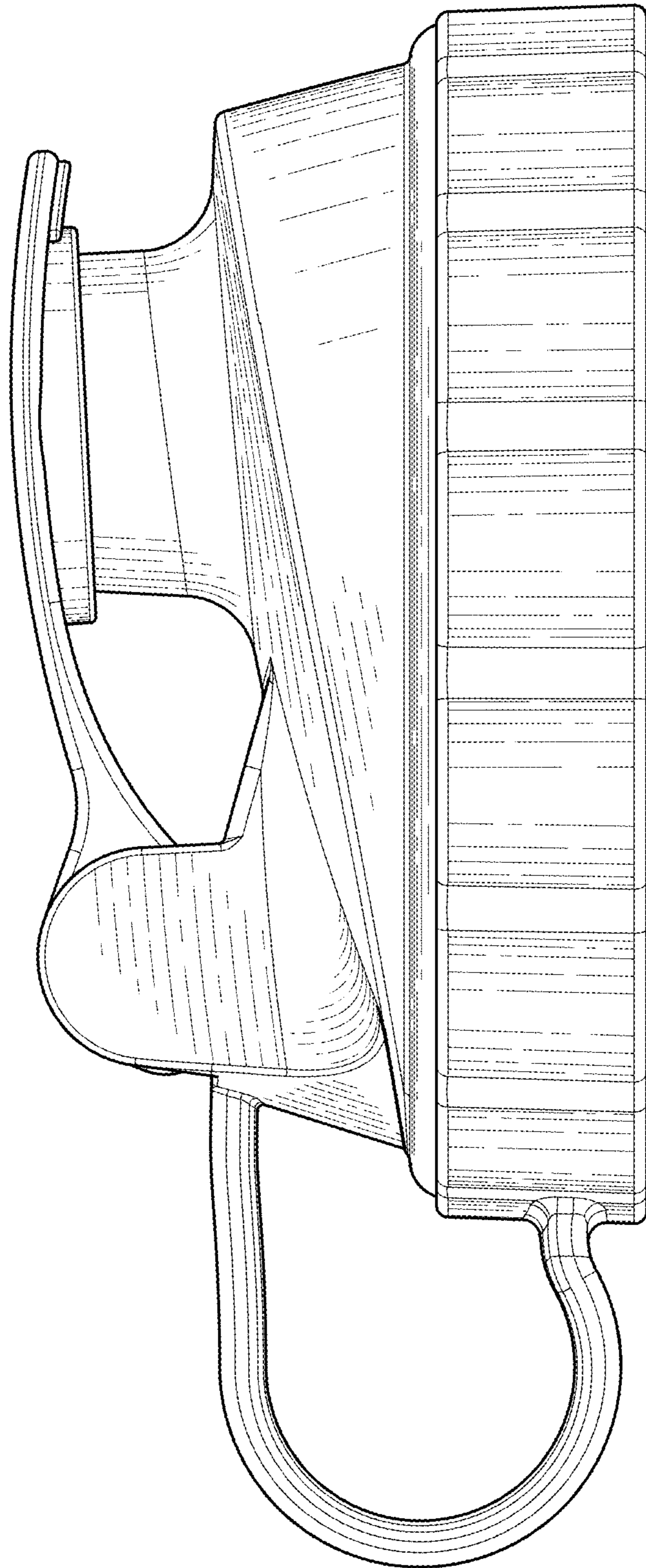


FIG. 4

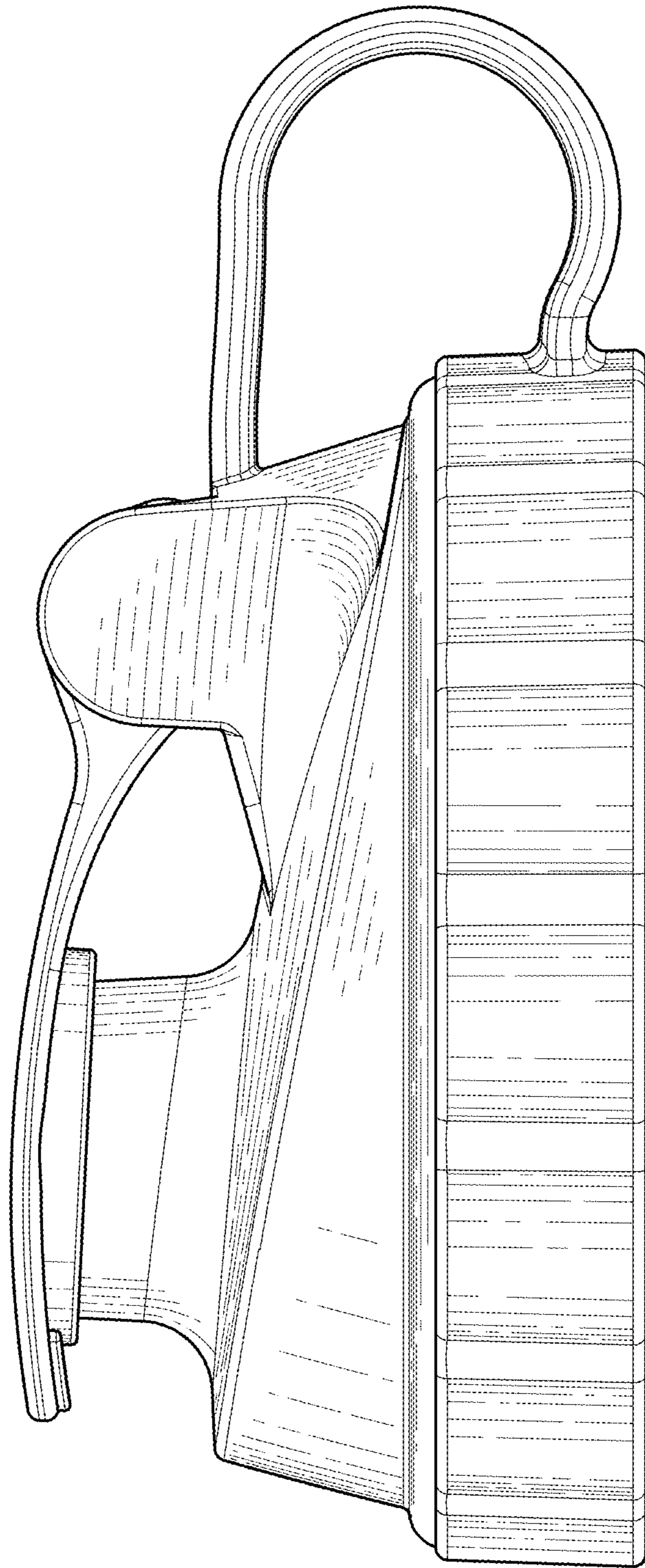


FIG. 5

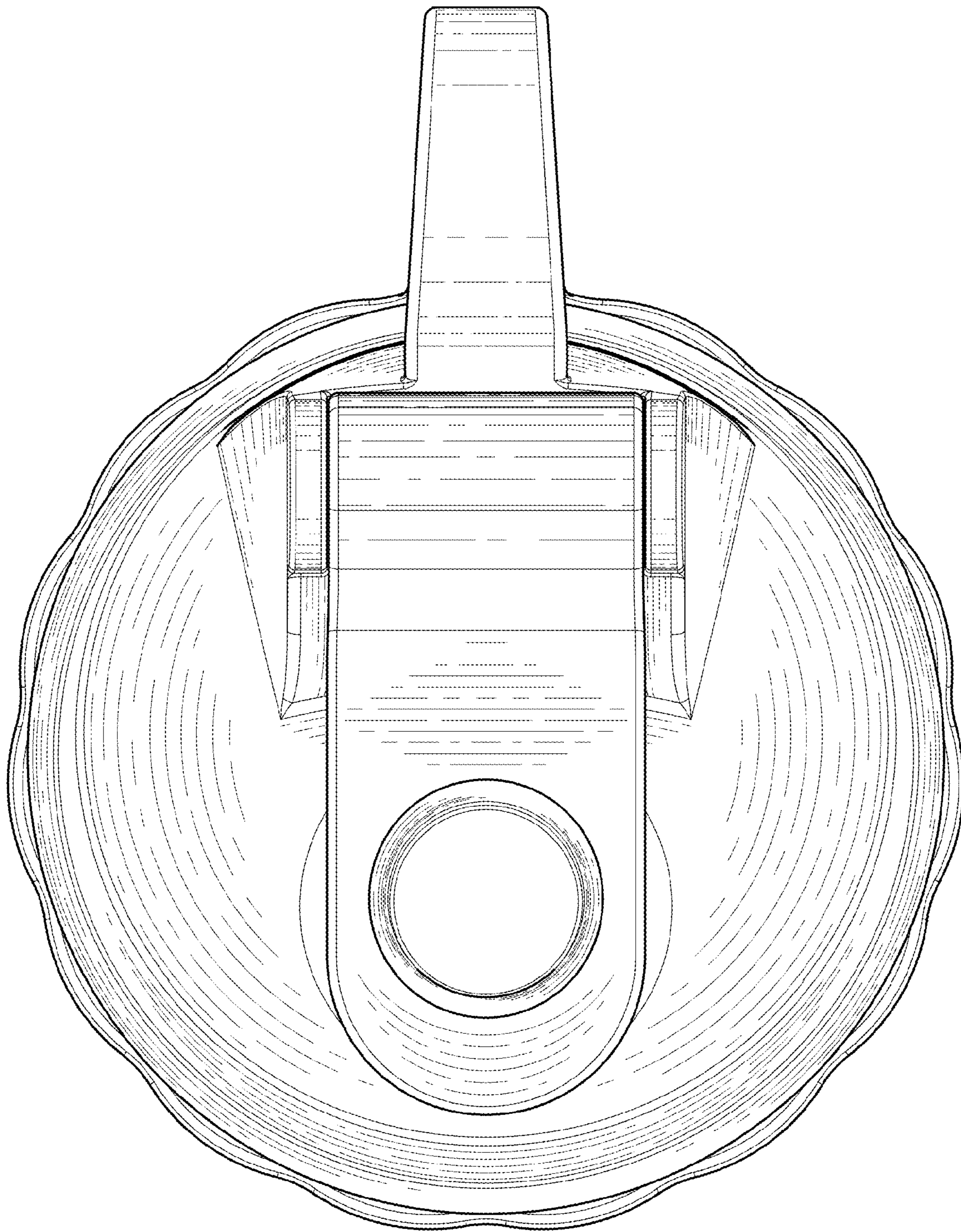


FIG. 6



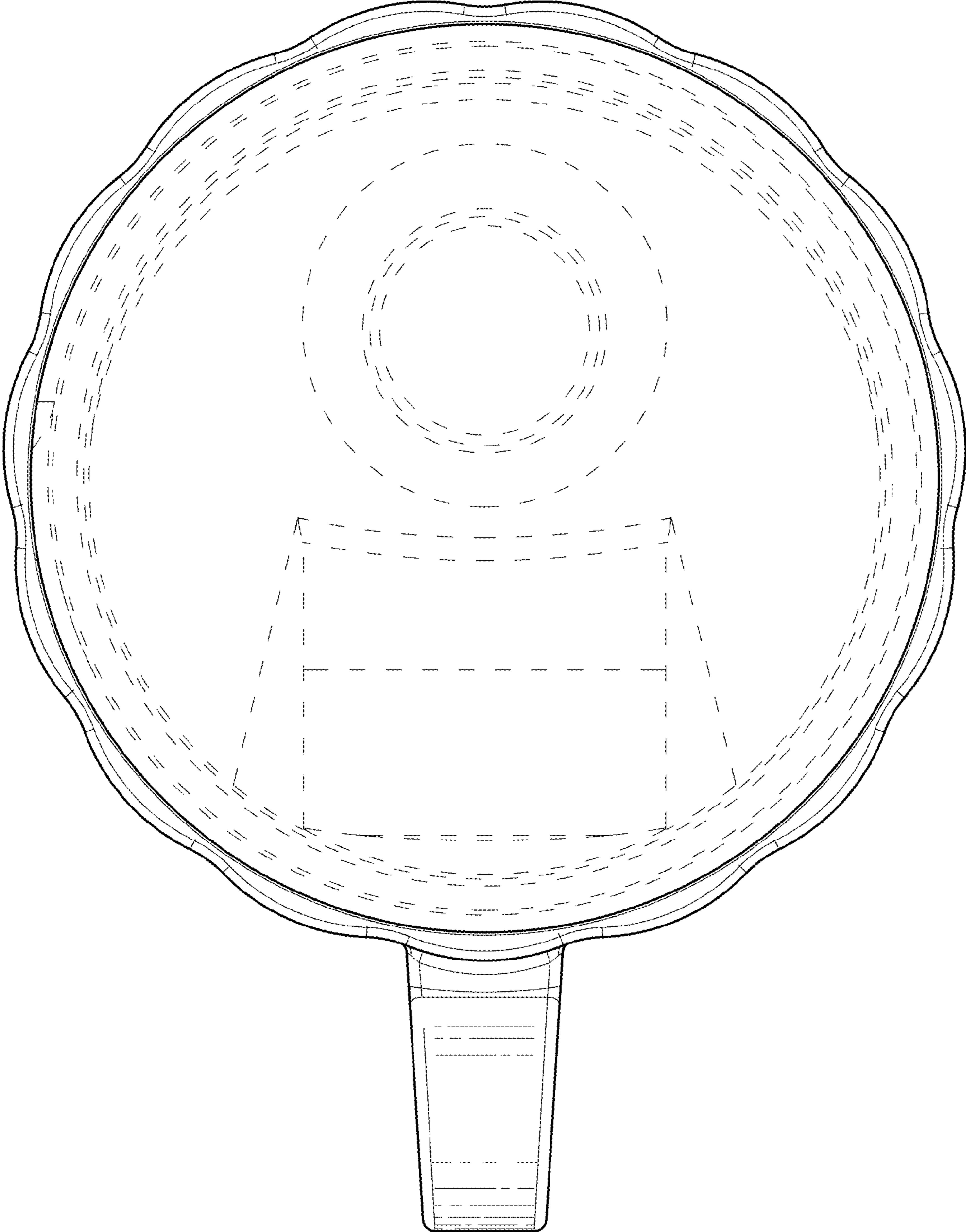


FIG. 7

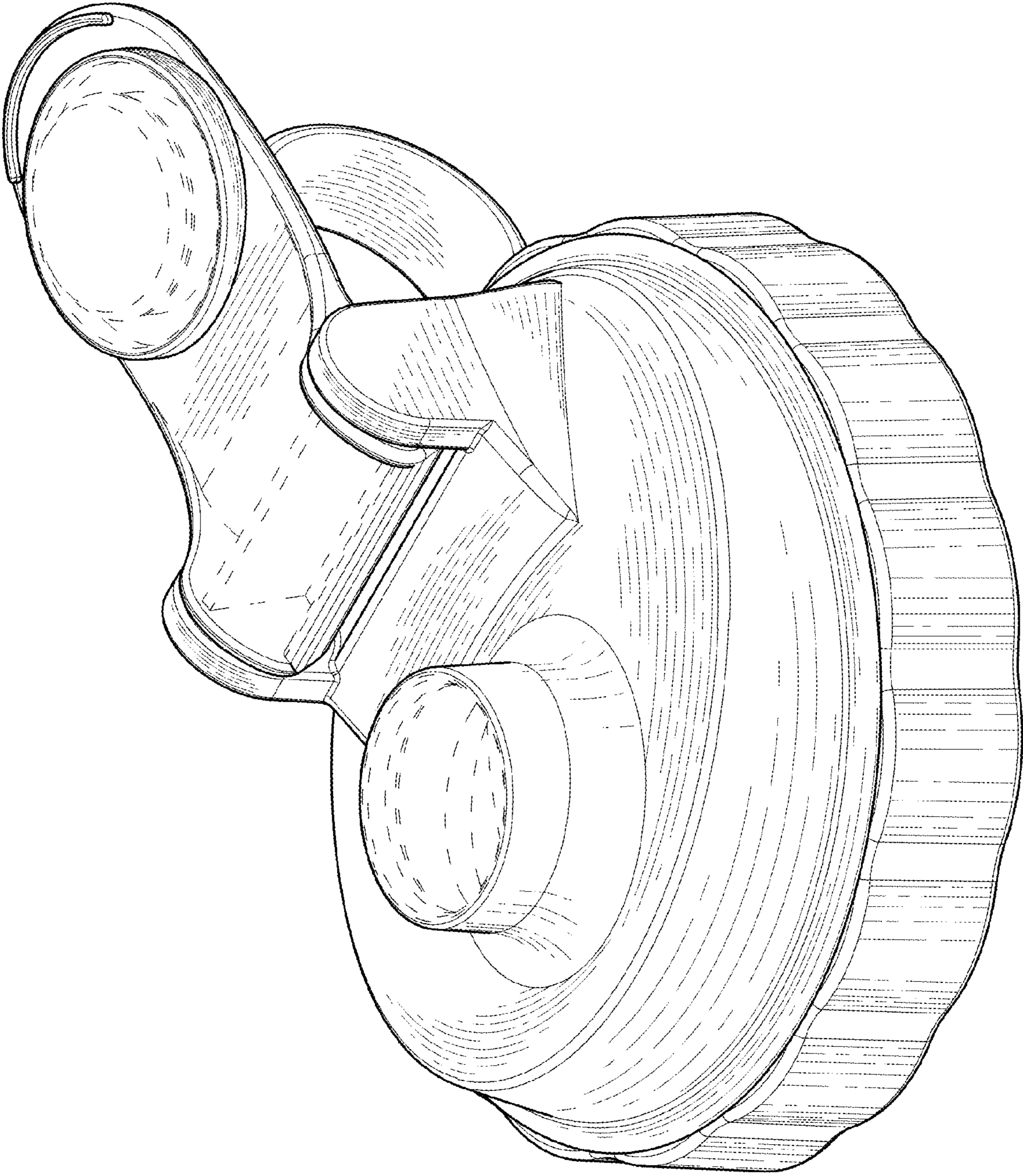


FIG. 8