



US00D887199S

(12) **United States Design Patent** (10) **Patent No.:** **US D887,199 S**  
**Fung et al.** (45) **Date of Patent:** **\*\* Jun. 16, 2020**

(54) **COMBINATION KITCHEN APPLIANCE**

(71) Applicant: **TecPal Ltd.**, Wanchai (HK)

(72) Inventors: **Mark Fung**, New Territories (HK);  
**Lars Junker**, Kowloon (HK)

(73) Assignee: **TecPal Ltd.**, Wanchai (HK)

(\*\*) Term: **15 Years**

(21) Appl. No.: **29/680,750**

(22) Filed: **Feb. 19, 2019**

(30) **Foreign Application Priority Data**

Nov. 8, 2018 (EM) ..... 005820669

(51) **LOC (12) Cl.** ..... **31-00**

(52) **U.S. Cl.**  
USPC ..... **D7/384; D7/376; D7/378; D7/412**

(58) **Field of Classification Search**  
USPC ..... **D7/319, 355, 372, 376-386, 412-413,**  
**D7/602, 629, 665-666, 669, 679,**  
**D7/693-694**

CPC .... **A21C 1/02; A21C 1/04; A23N 1/00; A23N**  
**1/02; A47J 43/04; A47J 43/25; A47J**  
**43/27; A47J 43/042; A47J 43/044; A47J**  
**43/046; A47J 43/075; A47J 43/0722;**  
**A47J 43/0727; A47J 43/087; B01F 3/00;**  
**B01F 3/0807; B01F 3/0853; B01F**  
**13/0059; B01F 13/0064; B02C 1/08;**  
**B02C 2/04; B02C 4/42; B02C 4/142;**  
**B02C 4/143; B02C 4/423; B02C 13/1835;**  
**B28C 5/10; B28C 5/12; B28C 5/14;**  
**B28C 5/16**

See application file for complete search history.

(56) **References Cited**

U.S. PATENT DOCUMENTS

D226,124	S	*	1/1973	Roberts	.....	D7/379
D261,719	S	*	11/1981	Gibiec	.....	D7/355
D323,763	S	*	2/1992	Barrault	.....	D7/376
5,875,706	A	*	3/1999	Borger	.....	A47J 43/087
						241/101.01
D445,637	S	*	7/2001	Feil	.....	D7/384
D738,685	S	*	9/2015	Sands	.....	D7/376
D750,936	S	*	3/2016	Kemker	.....	D7/376
D766,039	S	*	9/2016	Tu	.....	D7/376
D828,092	S	*	9/2018	Dietz	.....	D7/412
D834,363	S	*	11/2018	Dash	.....	D7/319
D843,776	S	*	3/2019	Sandberg	.....	D7/378

\* cited by examiner

*Primary Examiner* — Ricky Pham

(74) *Attorney, Agent, or Firm* — Berenato & White, LLC

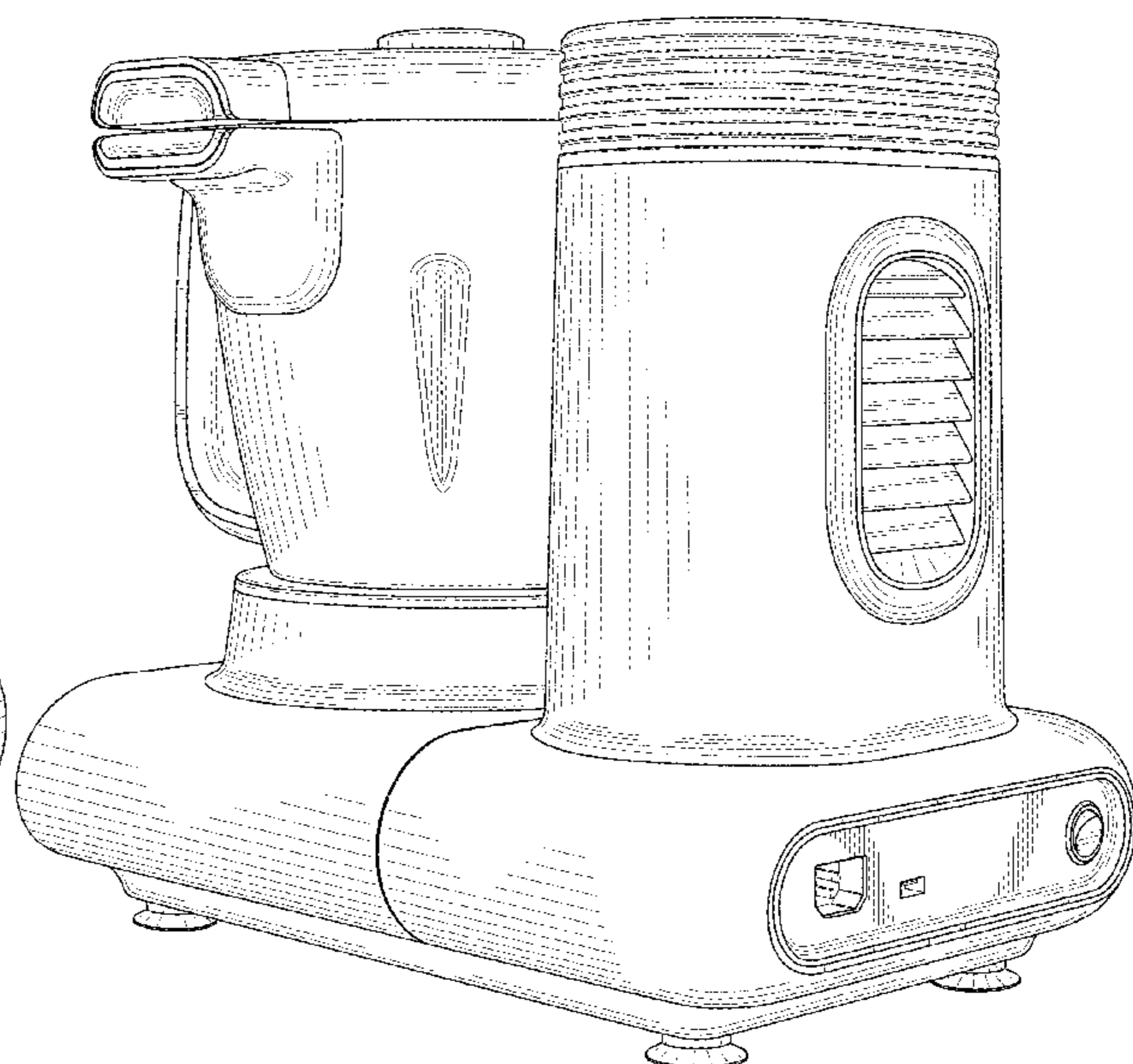
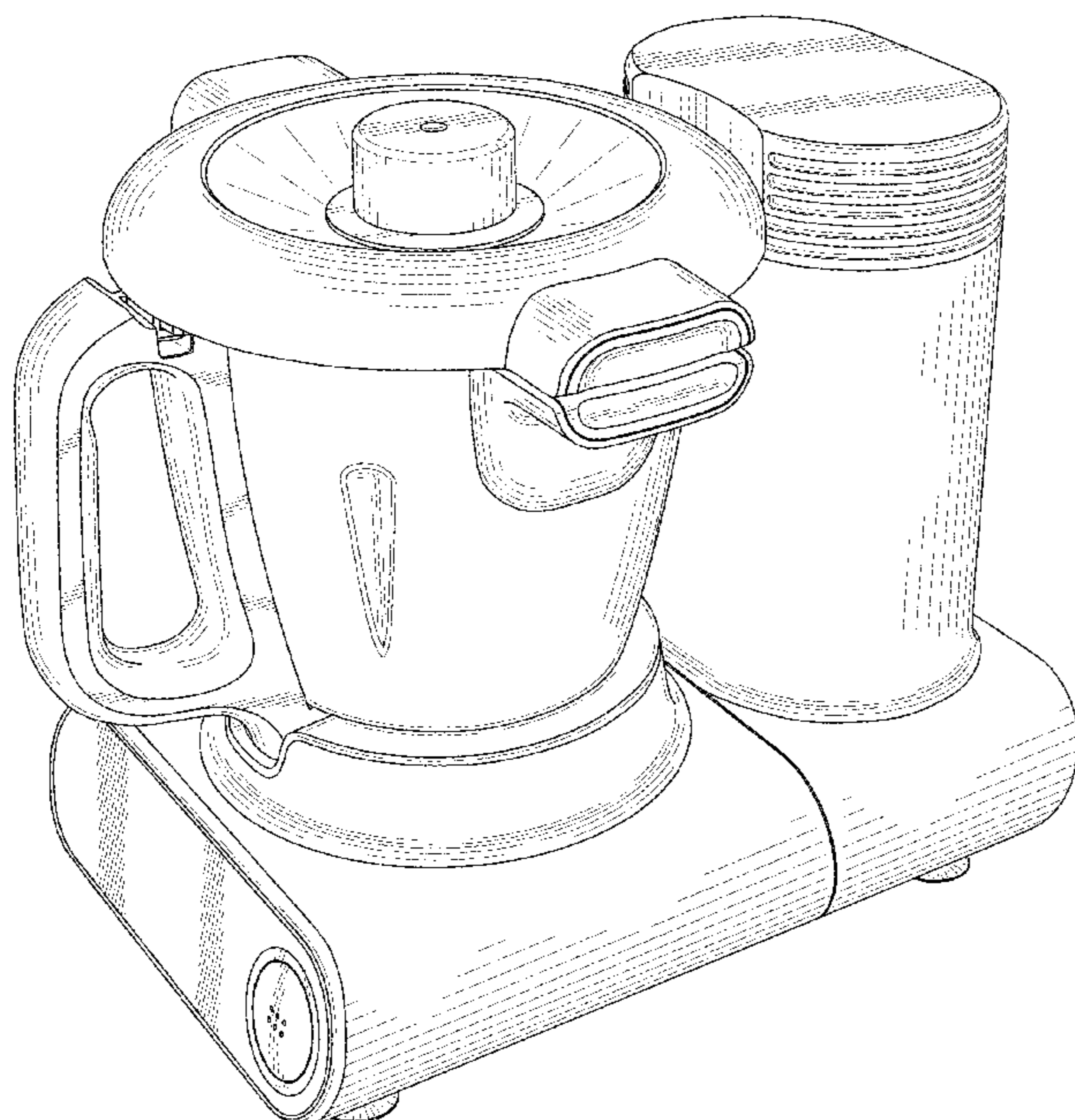
(57) **CLAIM**

The ornamental design for a combination kitchen appliance, as shown and described.

**DESCRIPTION**

FIG. 1 is a front perspective view of our combination kitchen appliance;  
FIG. 2 is a rear perspective view;  
FIG. 3 is a right side view;  
FIG. 4 is a left view;  
FIG. 5 is a rear view;  
FIG. 6 is a front view;  
FIG. 7 is a top view; and,  
FIG. 8 is a bottom view.  
Portions shown in dashed lines form no part of the claimed design.

**1 Claim, 8 Drawing Sheets**



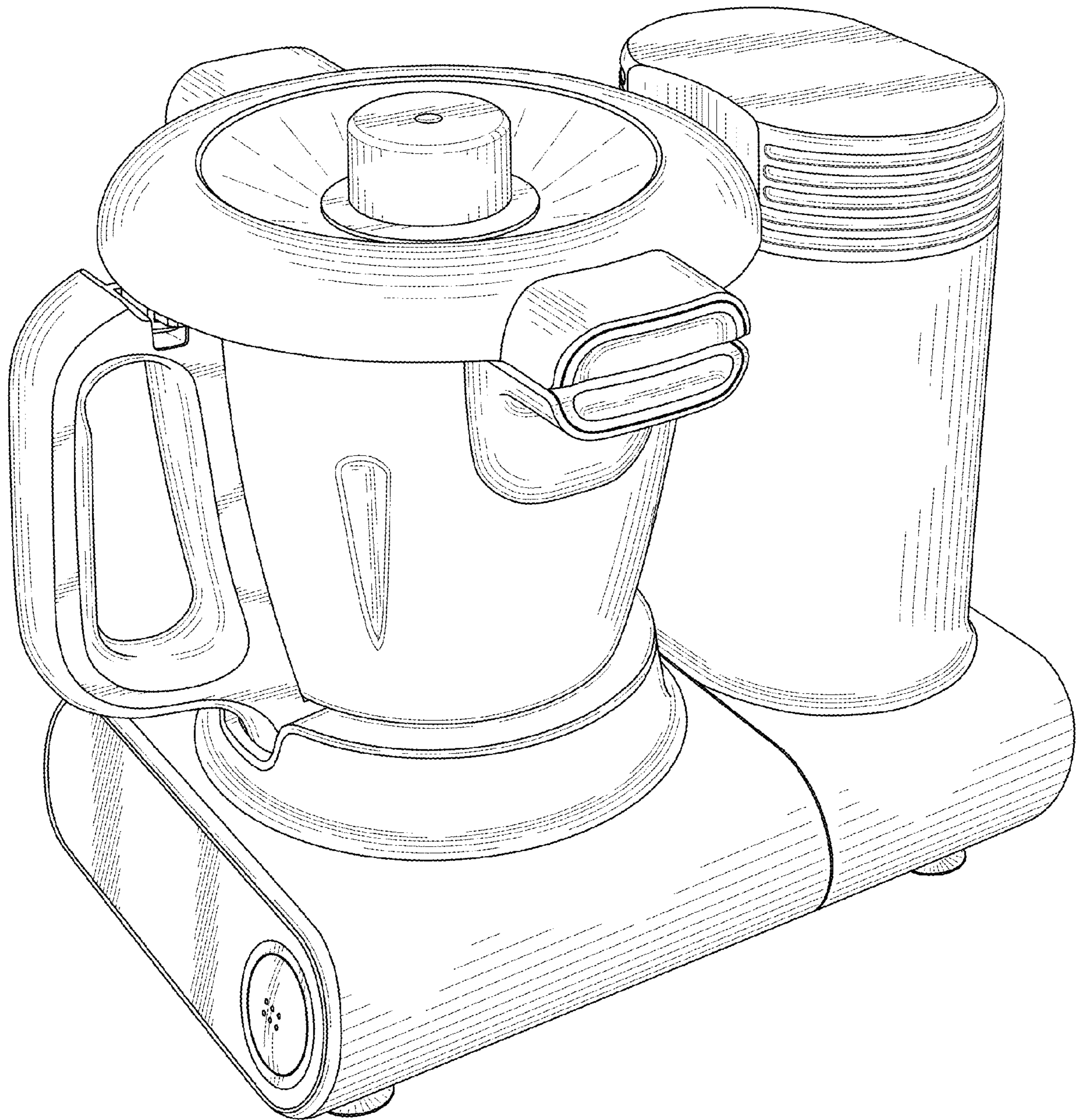


FIG. 1

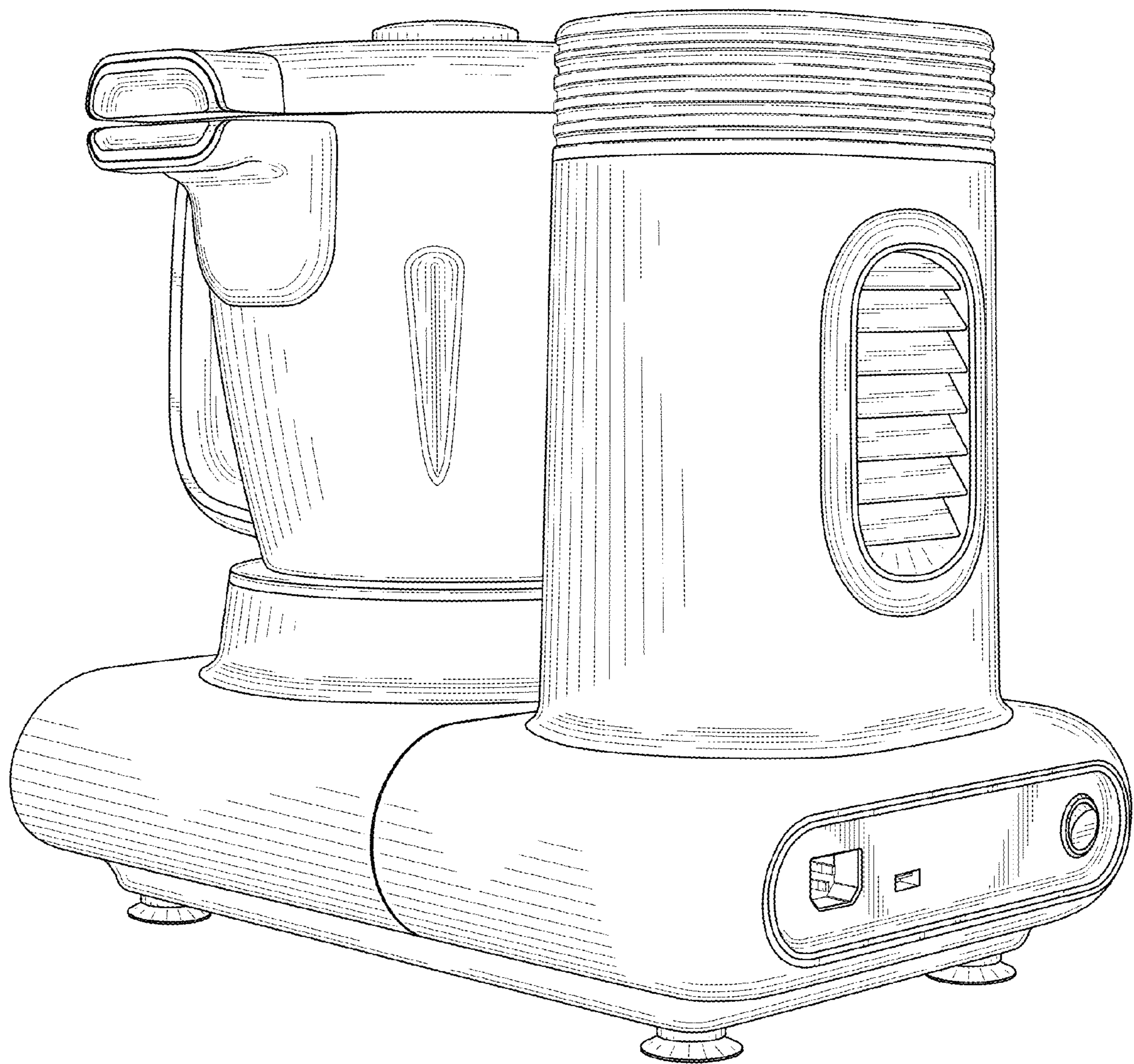


FIG. 2

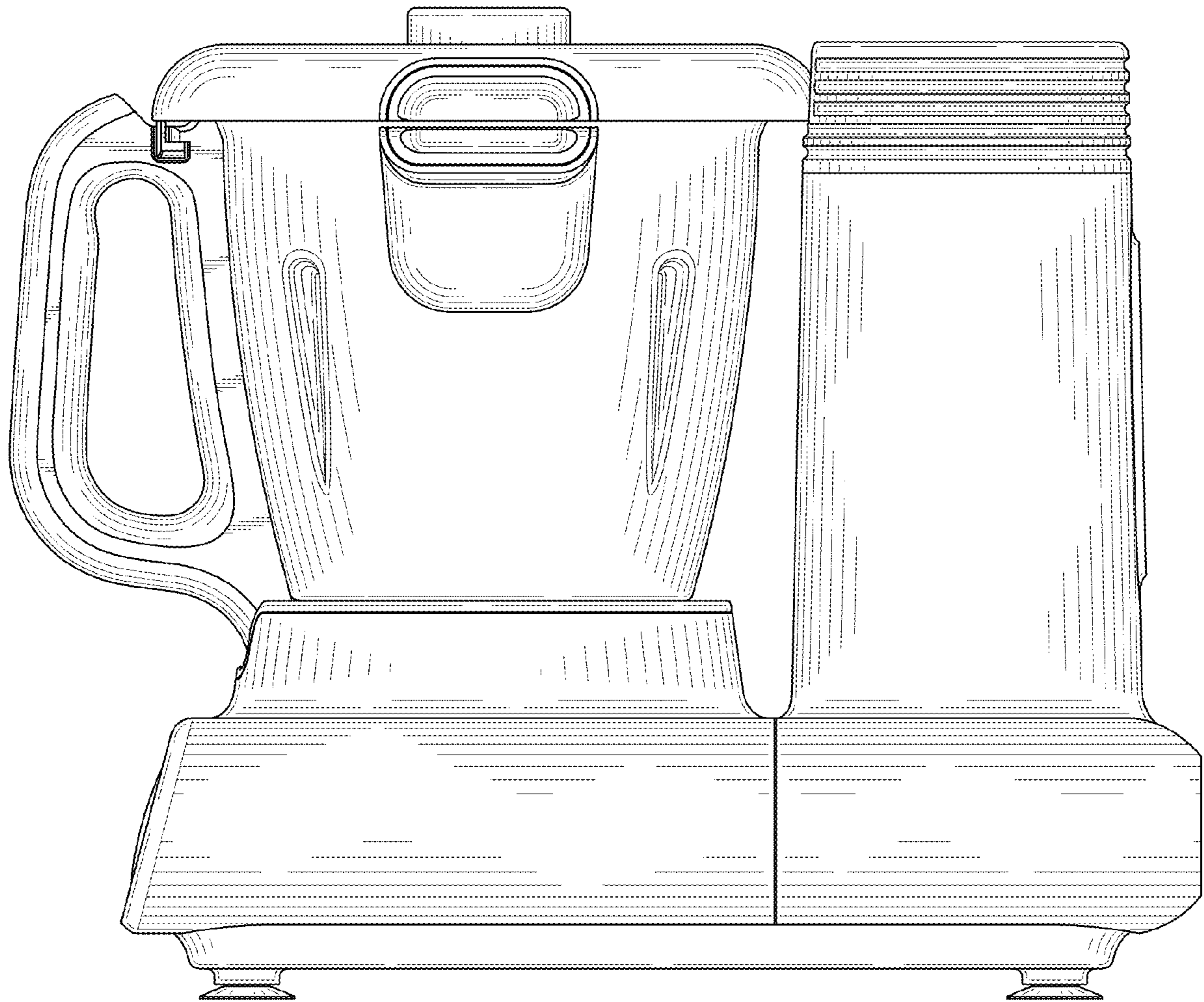


FIG. 3

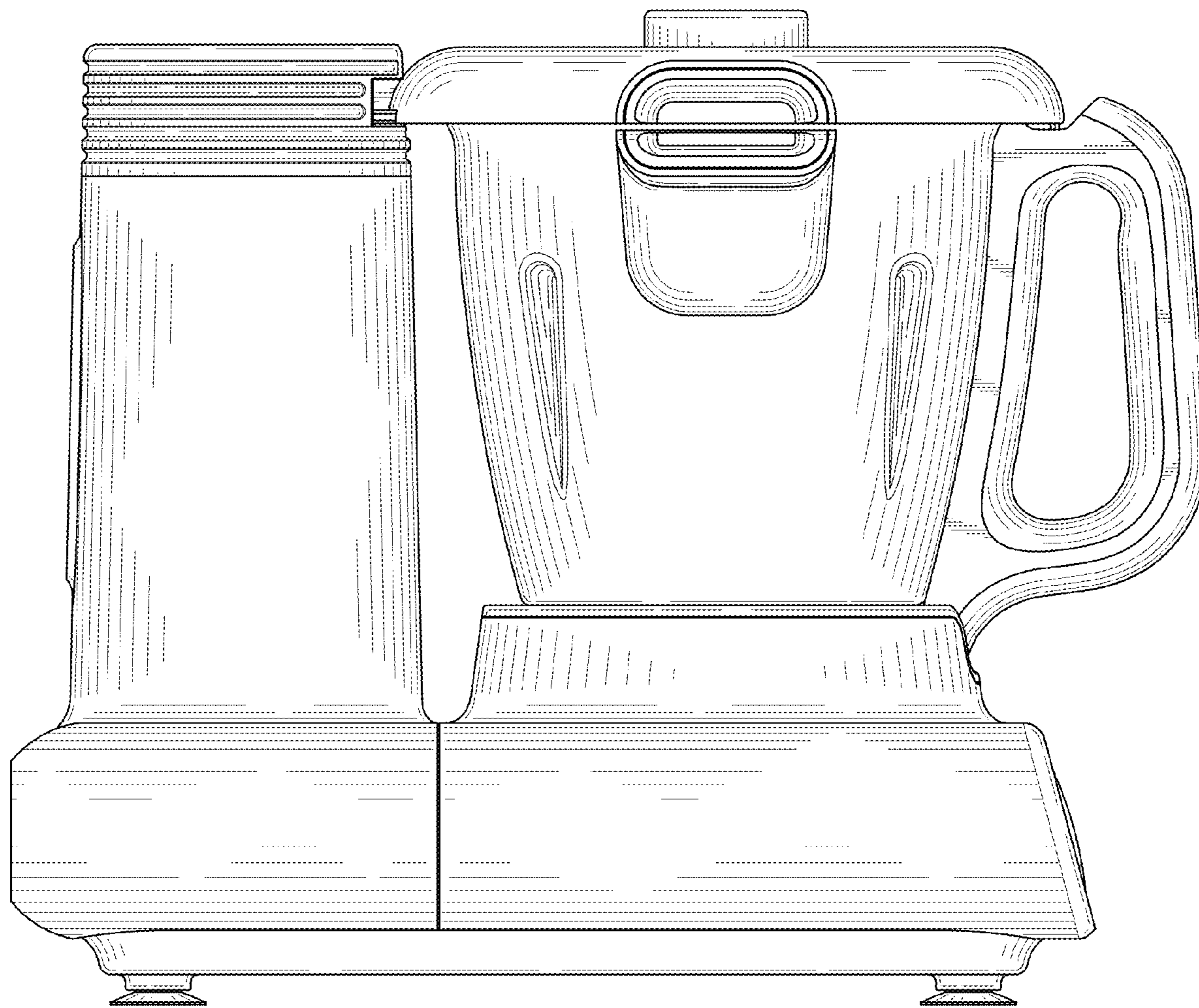


FIG. 4

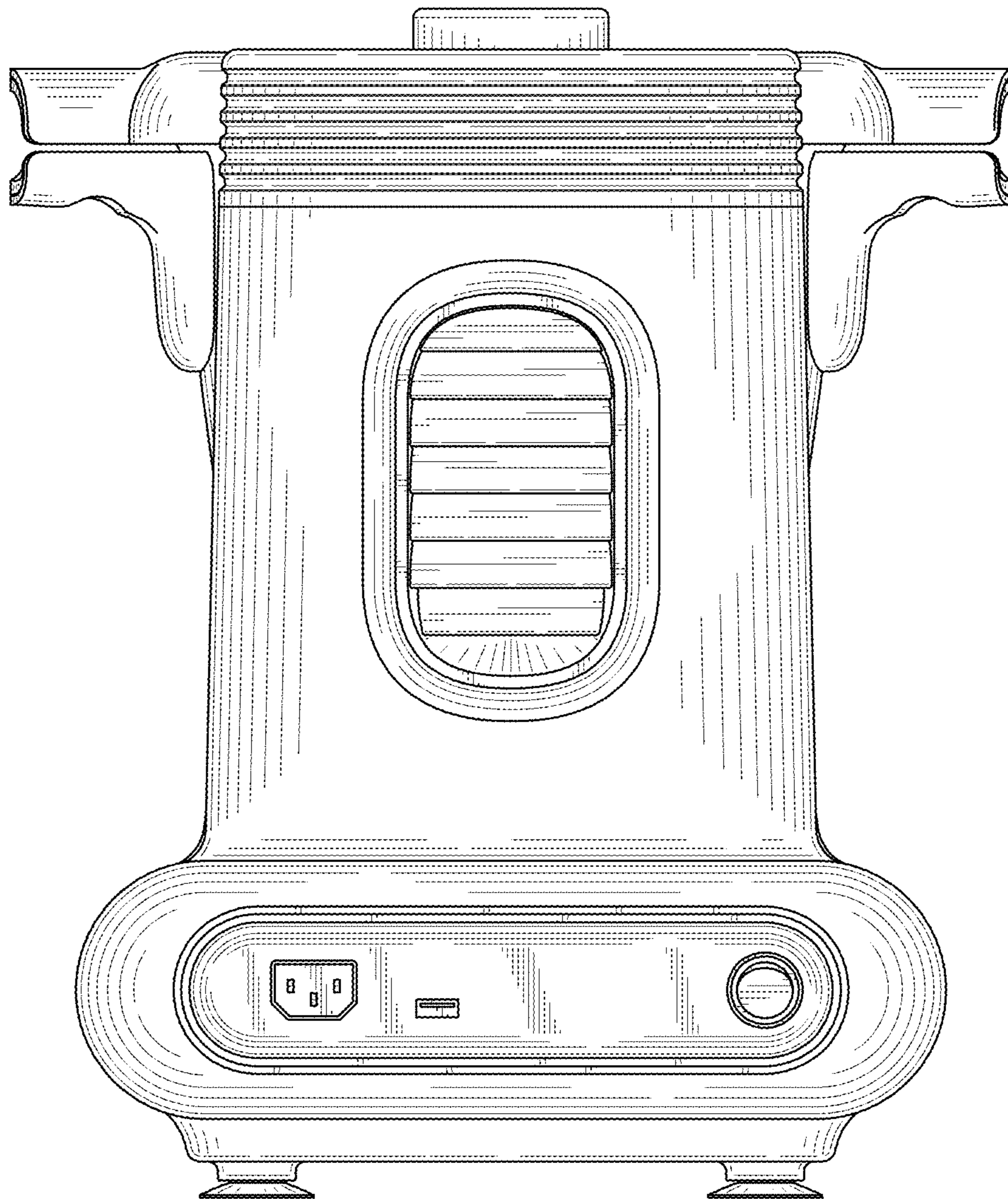


FIG. 5

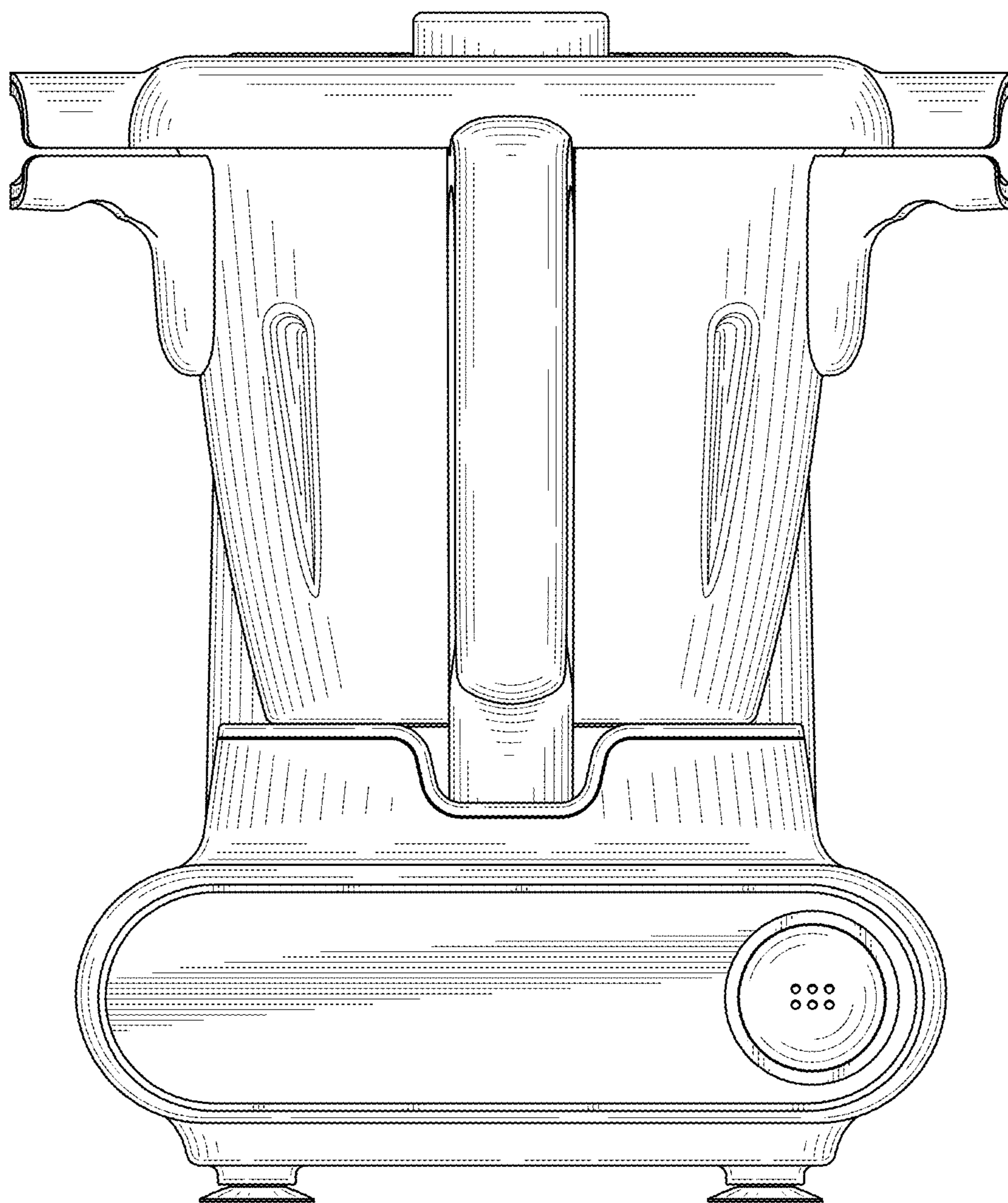


FIG. 6

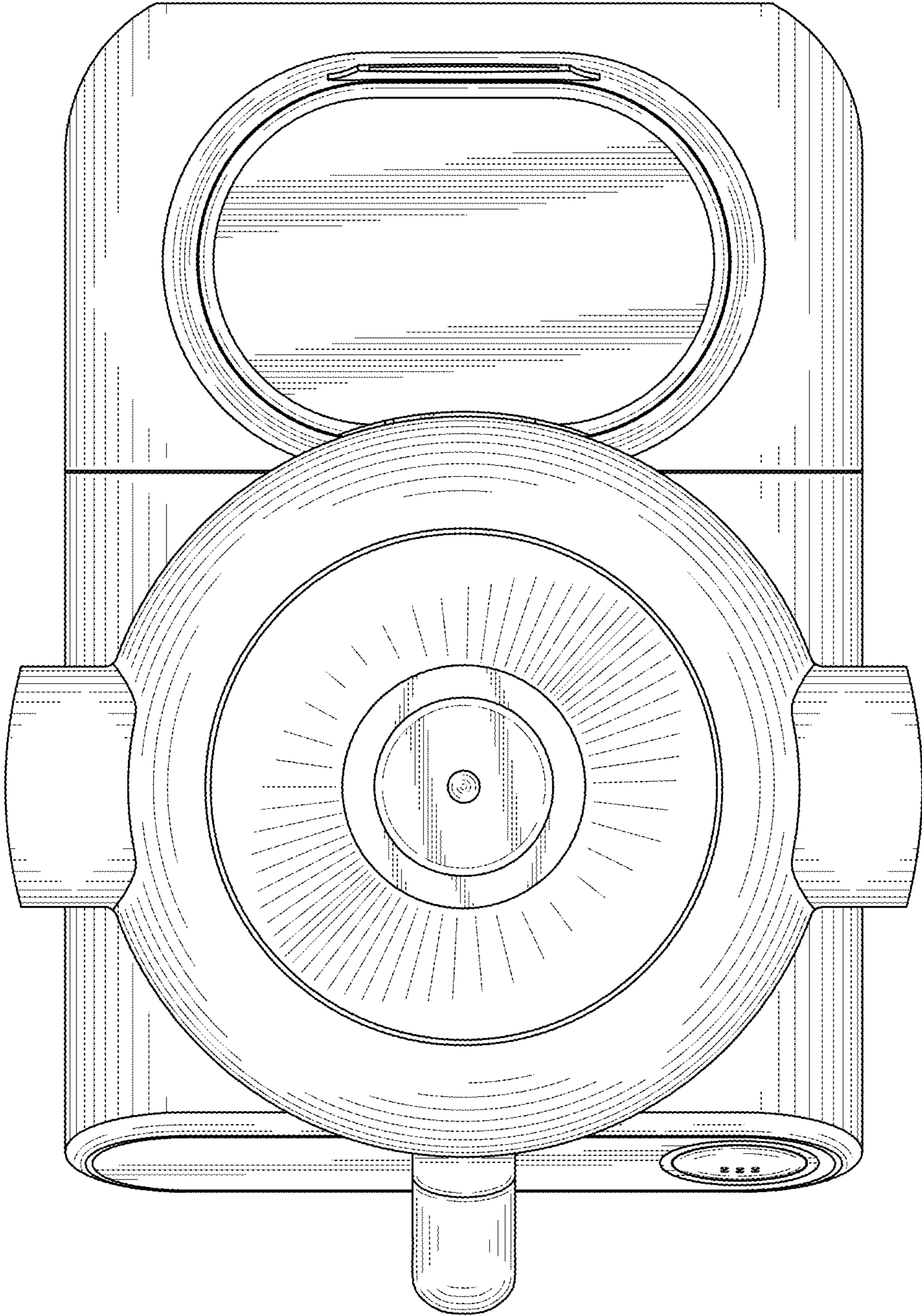


FIG. 7



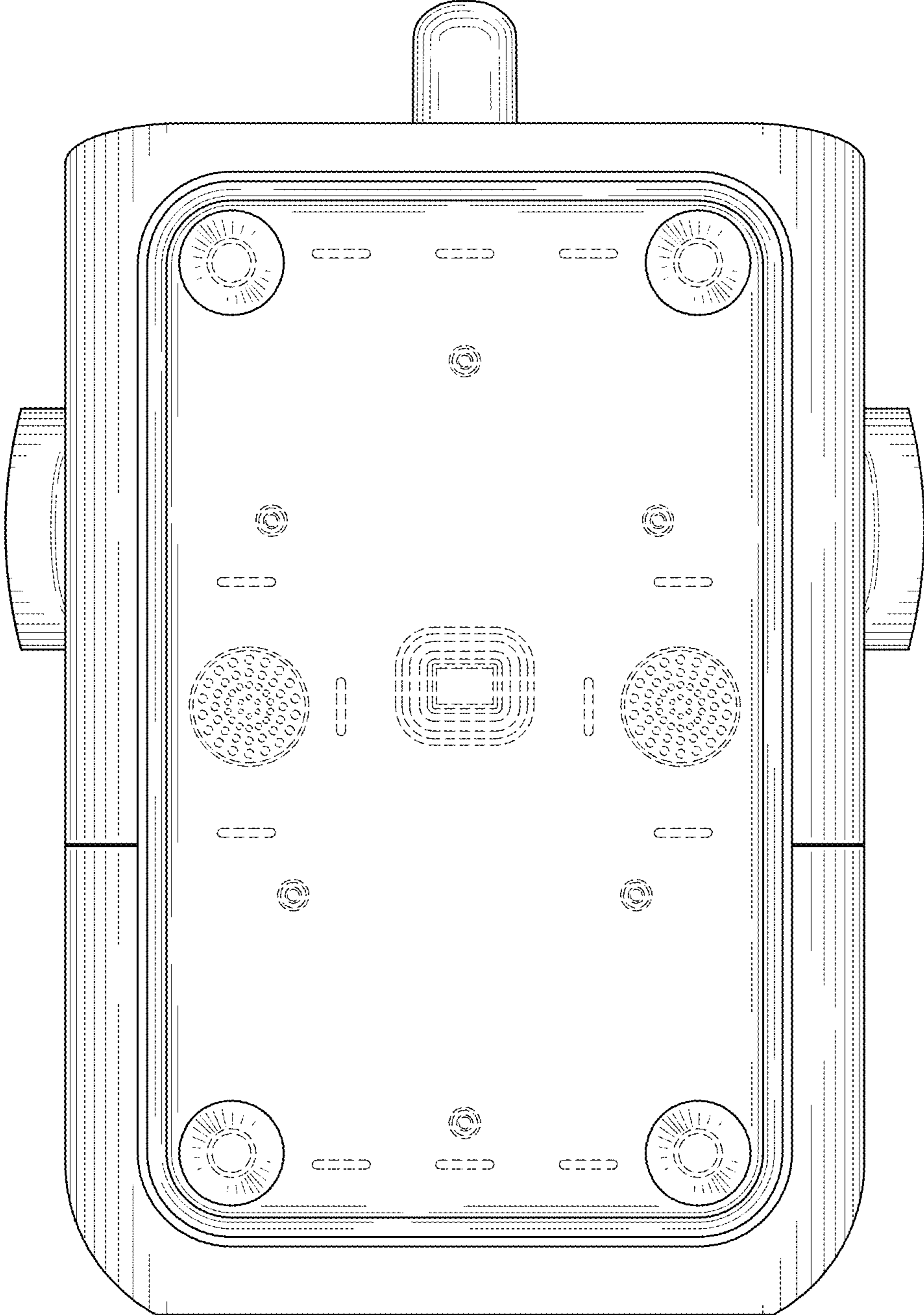


FIG. 8