



US00D887197S

(12) **United States Design Patent**
Li et al.

(10) **Patent No.:** **US D887,197 S**
(45) **Date of Patent:** **** Jun. 16, 2020**

(54) **ELECTRIC RICE COOKER**
(71) Applicant: **Beijing Xiaomi Mobile Software Co., Ltd.**, Beijing (CN)
(72) Inventors: **Ningning Li**, Beijing (CN); **Jing Jiang**, Beijing (CN); **Weihung Hung**, Beijing (CN); **Lei Zhang**, Beijing (CN)

D750,419 S * 3/2016 Hu D7/354
D787,258 S * 5/2017 Chung D7/354
D787,259 S * 5/2017 Chung D7/354
D827,360 S * 9/2018 Chung D7/354
D836,968 S * 1/2019 Chung D7/354
D864,650 S * 10/2019 Hua D7/354
D867,803 S * 11/2019 Zhang D7/354
D868,529 S * 12/2019 Chung D7/354
D871,825 S * 1/2020 Miyawaki D7/354

(73) Assignee: **BEIJING XIAOMI MOBILE SOFTWARE CO., LTD.**, Beijing (CN)

(**) Term: **15 Years**

(21) Appl. No.: **35/506,984**

(22) Filed: **Dec. 26, 2018**

(80) **Hague Agreement Data**

Int. Filing Date: **Dec. 26, 2018**
Int. Reg. No.: **DM/200723**
Int. Reg. Date: **Dec. 26, 2018**
Int. Reg. Pub. Date: **Jun. 28, 2019**

(30) **Foreign Application Priority Data**

Jul. 18, 2018 (CN) 2018 3 0389333

(51) **LOC (12) Cl.** **07-02**

(52) **U.S. Cl.**
USPC **D7/354**

(58) **Field of Classification Search**
USPC D7/323, 354, 355, 356, 357, 358, 359, D7/360, 361, 391, 393
CPC .. A47J 31/02; A47J 31/10; A47J 31/24; A47J 31/40; A47J 31/42; A47J 31/4485
See application file for complete search history.

(56) **References Cited**

U.S. PATENT DOCUMENTS

D360,804 S * 8/1995 Hamada D7/323
D608,136 S * 1/2010 Choi D7/354

OTHER PUBLICATIONS

Walmart.com: Mijia IHFB02CM 4L 1430W IH Heating Smart Electric Rice Cooker Nonstick Cooker APP Control. Undated; one page. Screenshot found online Apr. 3, 2020 at: (see screenshot for URL) (Year: 2020).*

Valueq.com: Relationship between Xiaomi and Mijia |Xiaomi Mijia Products List. Photo dated Dec. 31, 2019; one page. Screenshot found online Apr. 3, 2020 at https://us.valueq.com/articles/relationship-between-xiaomi-and-mijia-xiaomi-mijia-products-333819 (Year: 2019).*

The International Design System, Office Action Issued in International registration No. DM/200723, Mar. 8, 2019, 3 pages.

* cited by examiner

Primary Examiner — Robert M. Spear

(74) *Attorney, Agent, or Firm* — Syncoda LLC; Feng Ma

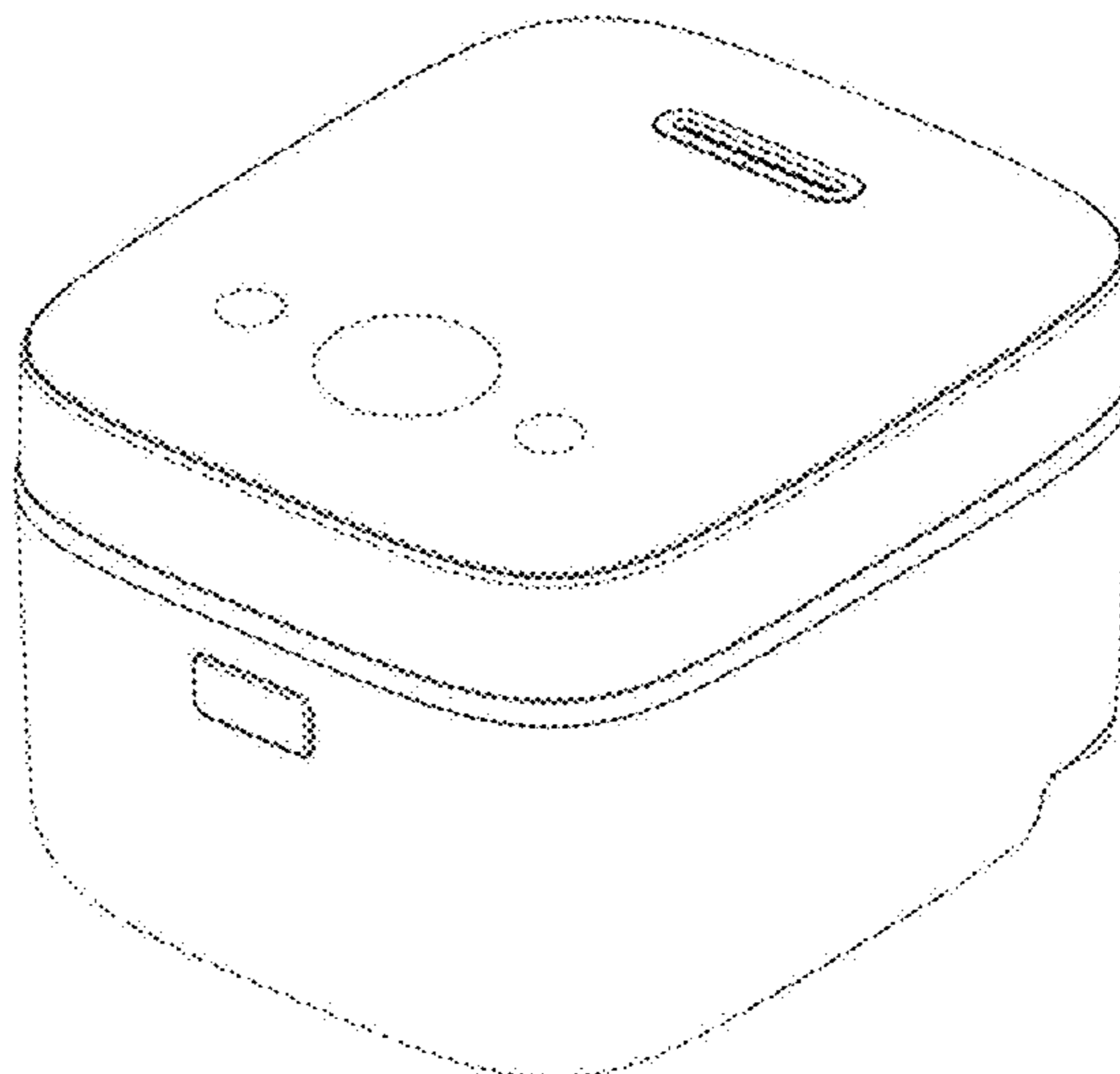
(57) **CLAIM**

The ornamental design for an electric rice cooker, as shown and described.

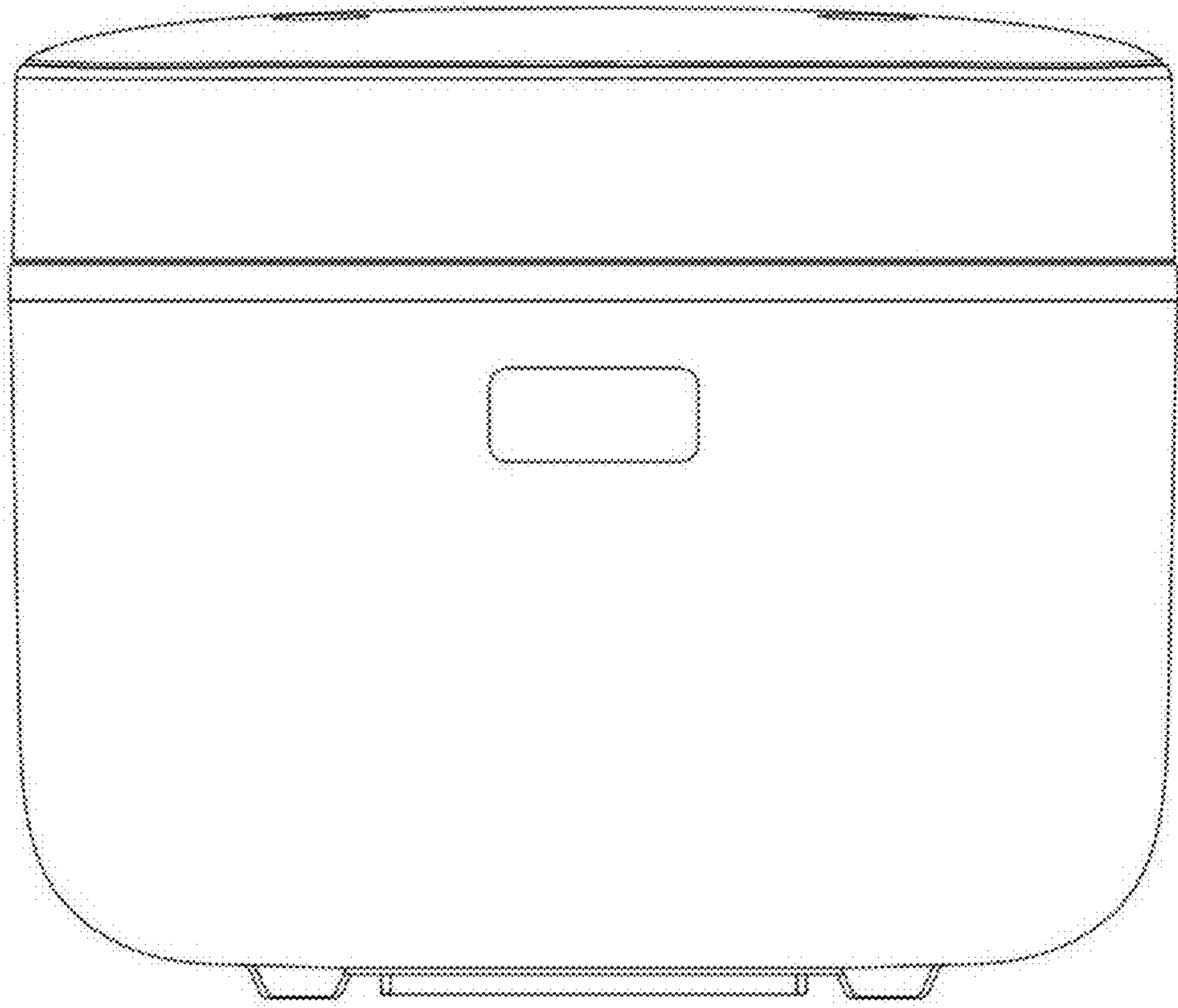
DESCRIPTION

1. Electric rice cooker
1.1 is a front elevation view of an electric rice cooker showing our new design;
1.2 is a rear elevation view thereof;
1.3 is a right side elevation view thereof;
1.4 is a left side elevation view thereof;
1.5 is a top plan view thereof;
1.6 is a bottom plan view thereof; and
1.7 is a perspective view thereof.
The present product is used for cooking rice.

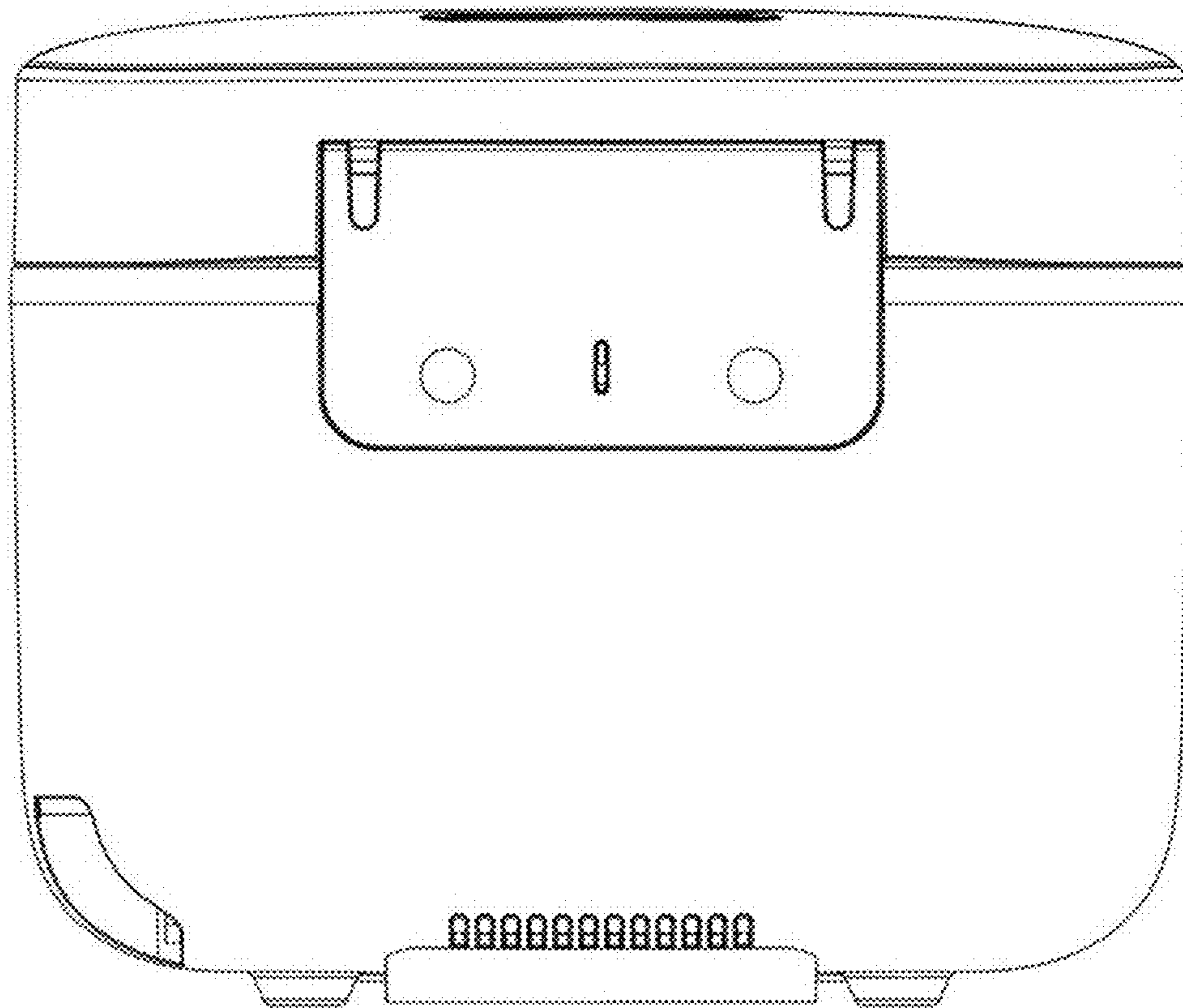
1 Claim, 7 Drawing Sheets



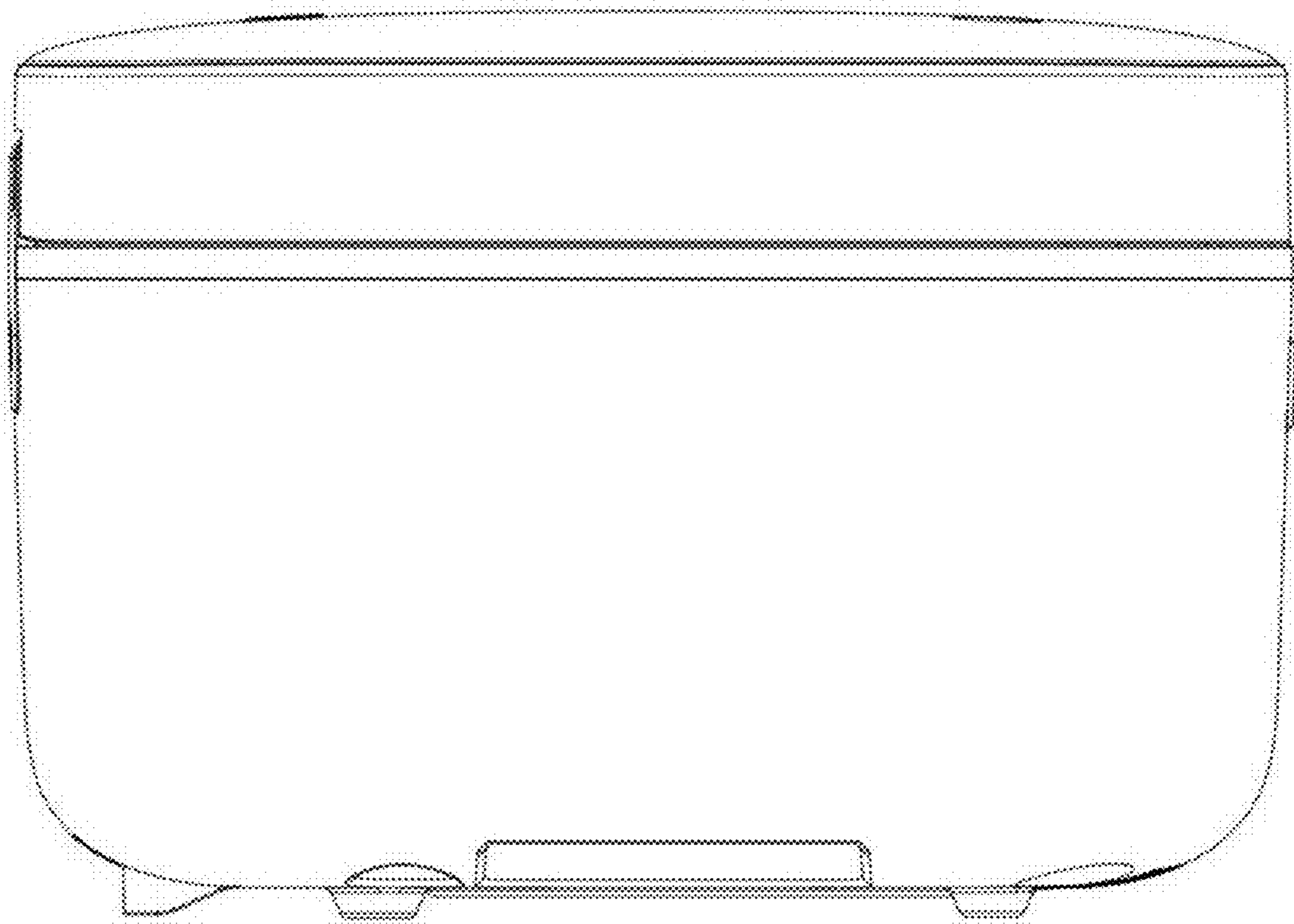
1.1



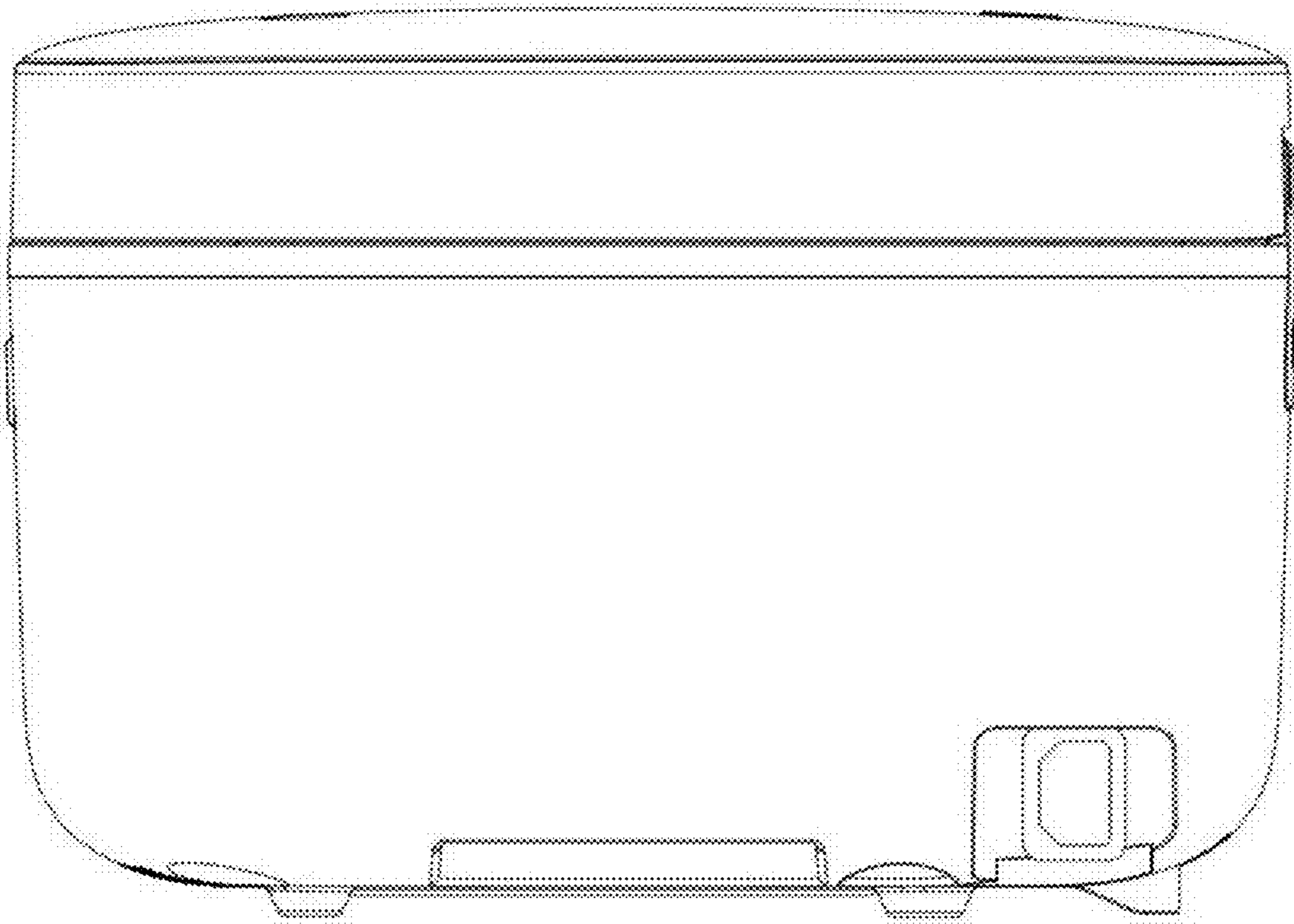
1.2



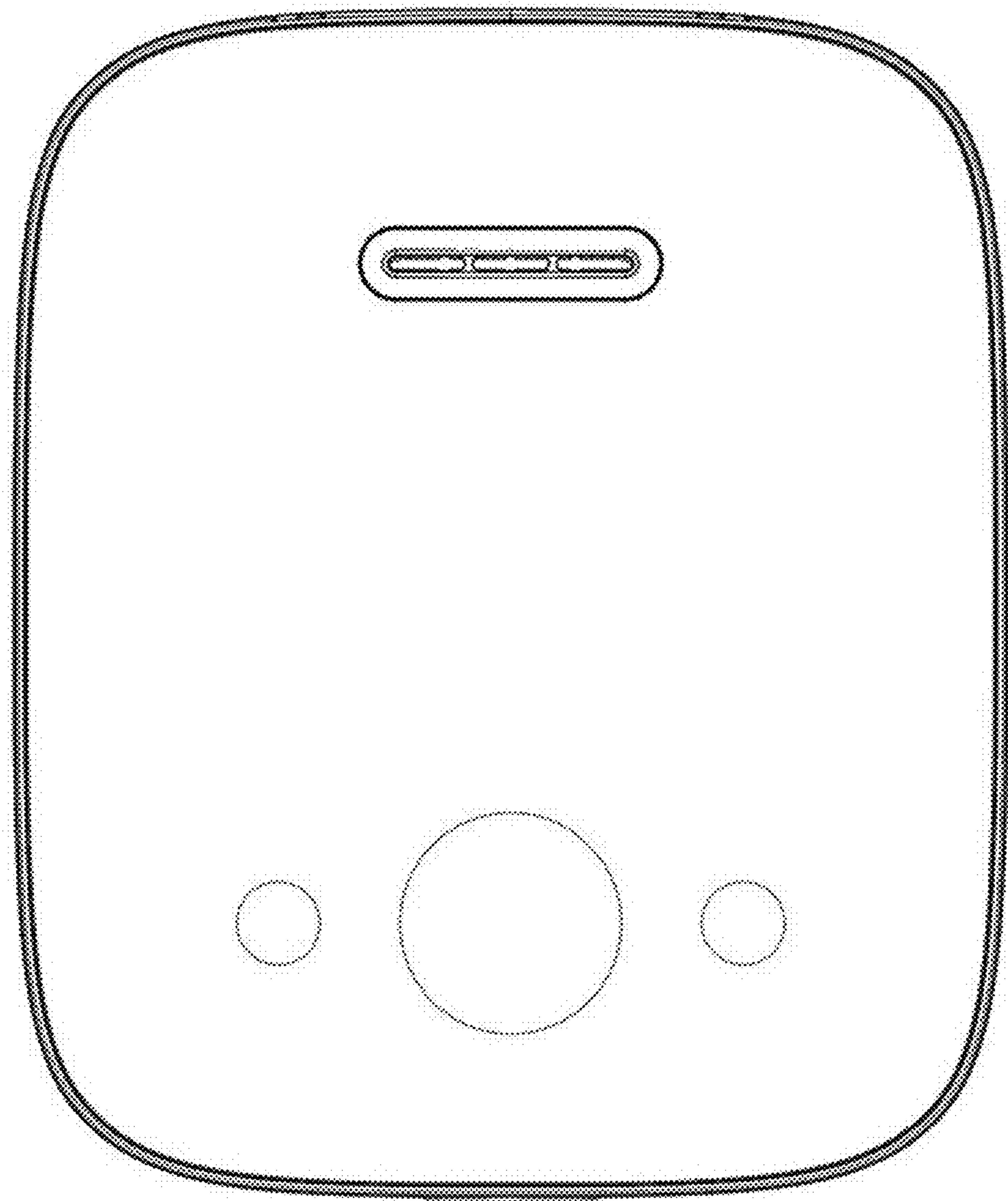
1.3



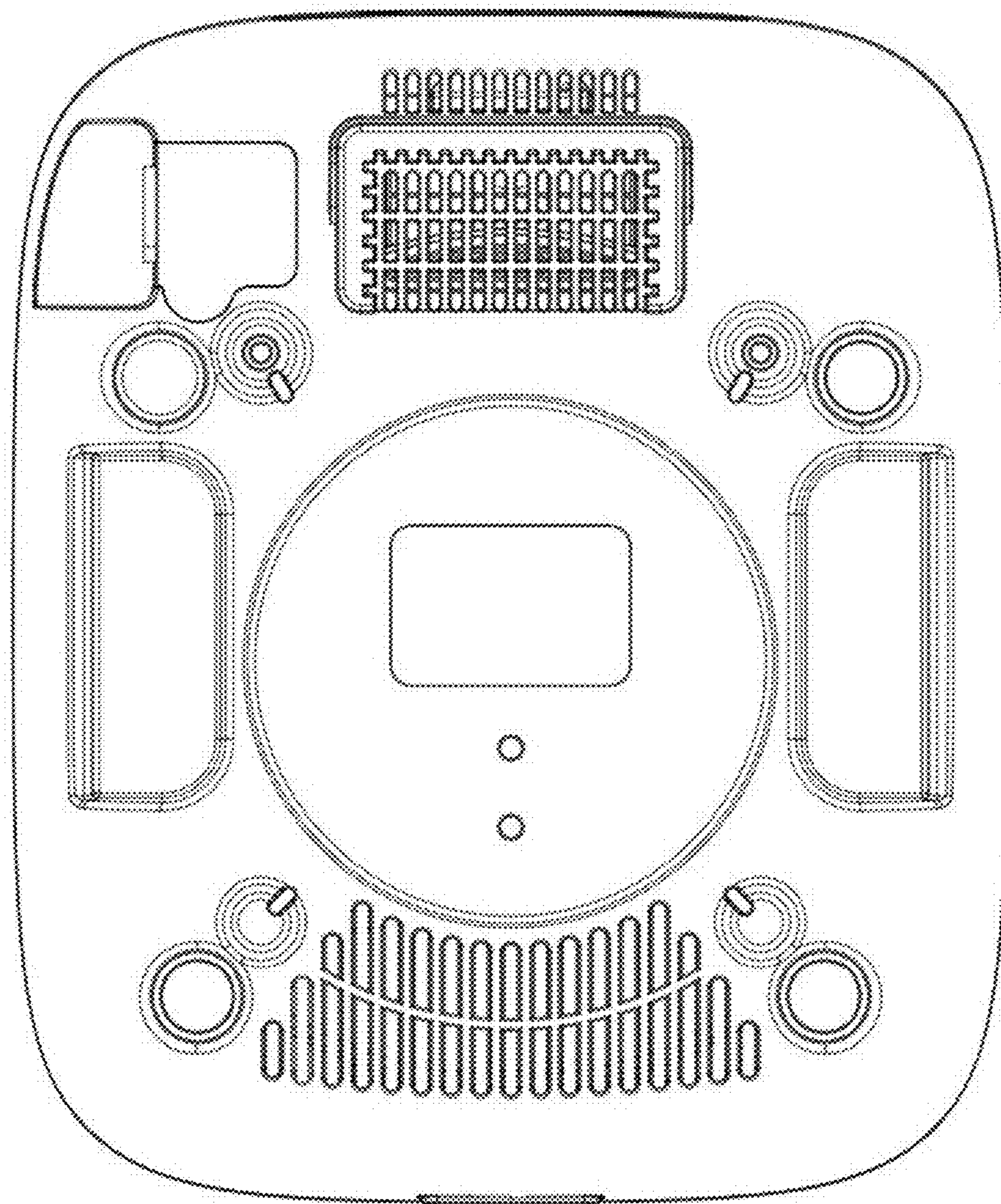
1.4



1.5



1.6



1.7

