



US00D887194S

(12) **United States Design Patent**
Symons

(10) **Patent No.:** **US D887,194 S**
(45) **Date of Patent:** **** Jun. 16, 2020**

- (54) **JUG**
- (71) Applicant: **Dominic Symons**, Singapore (SG)
- (72) Inventor: **Dominic Symons**, Singapore (SG)
- (**) Term: **15 Years**
- (21) Appl. No.: **29/726,294**
- (22) Filed: **Mar. 2, 2020**
- (51) **LOC (12) Cl.** **07-01**
- (52) **U.S. Cl.**
USPC **D7/318**
- (58) **Field of Classification Search**
USPC D7/598, 312, 317, 316, 305, 318, 319,
D7/300; D11/153, 146
CPC A47G 19/22; A47G 19/16; A47G 19/12;
A47J 27/21166; A47J 31/20; B01D 35/30
See application file for complete search history.

| | | | |
|--------------|---------|------------------|--------|
| D790,900 S | 7/2017 | Karussi | |
| D794,991 S | 8/2017 | Vazin | |
| D794,993 S | 8/2017 | Hand | |
| D817,064 S | 5/2018 | Samartgis | |
| D830,759 S * | 10/2018 | Vu | D7/319 |
| D835,447 S | 12/2018 | Wall | |
| D842,634 S | 3/2019 | deBretton Gordon | |
| D851,993 S | 6/2019 | Montague | |
| D878,848 S * | 3/2020 | Hu | D7/317 |

(56) **References Cited**

U.S. PATENT DOCUMENTS

| | | | |
|----------------|---------|--------------|--------------------------|
| D25,387 S | 4/1896 | Higgins | |
| D37,098 S | 8/1904 | Haviland | |
| D398,474 S * | 9/1998 | Wagner | D7/305 |
| D531,445 S | 11/2006 | Bodum | |
| D548,510 S * | 8/2007 | Huang | D7/317 |
| D626,778 S * | 11/2010 | Bell | D7/317 |
| D630,463 S * | 1/2011 | Picozza | D7/317 |
| D648,592 S | 11/2011 | Bodum | |
| D663,567 S * | 7/2012 | Littmann | D7/317 |
| 8,997,733 B2 * | 4/2015 | McLean | A47J 27/21166 126/345 |
| D786,697 S | 5/2017 | Dytchkowskyj | |
| D789,726 S | 6/2017 | Adeloju | |

OTHER PUBLICATIONS

thegardenhouses.net, Feb. 27, 2020, <https://www.thegardenhouse.net/shop/dining-tableware/acrylic-jugs-tumblers/acrylic-jug/> (10 pages).
ikea.com, Feb. 27, 2020, <https://www.ikea.com/us/en/p/mattlig-milk-frothing-jug-stainless-steel-50149843/> (5 pages).

* cited by examiner

Primary Examiner — Marianne N Pandozzi
(74) *Attorney, Agent, or Firm* — Todd R. Miller

(57) **CLAIM**

The ornamental design for a jug, as shown and described.

DESCRIPTION

FIG. 1 is a perspective view of a jug showing my new design;
FIG. 2 is a front view thereof;
FIG. 3 is a right side view thereof, with the left side being a mirror image of the right side;
FIG. 4 is a rear view thereof;
FIG. 5 is a top view thereof; and,
FIG. 6 is a bottom view thereof.
The broken lines in the drawing depict portions of the jug that form no part of the claimed design.

1 Claim, 6 Drawing Sheets

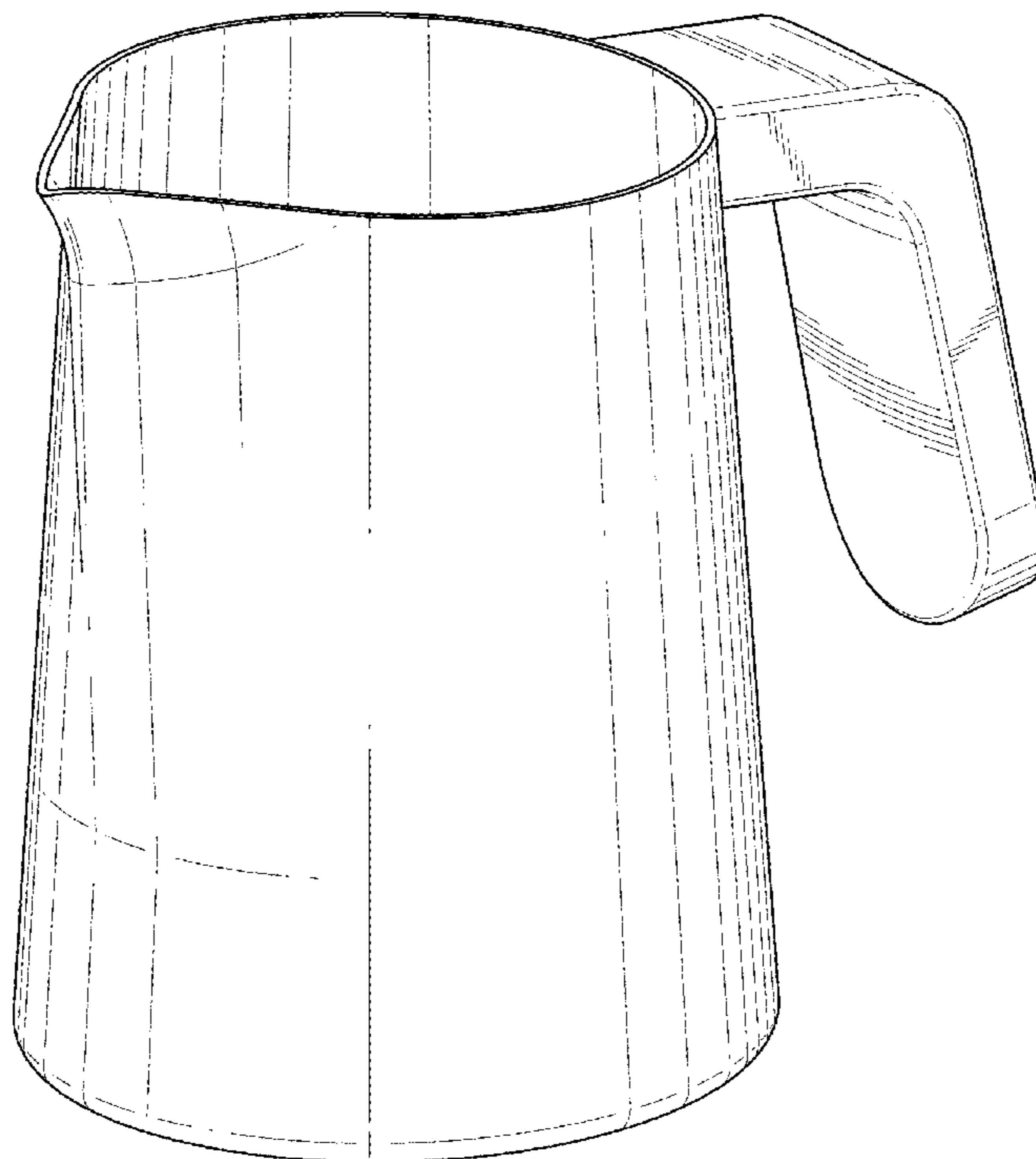


FIG. 1

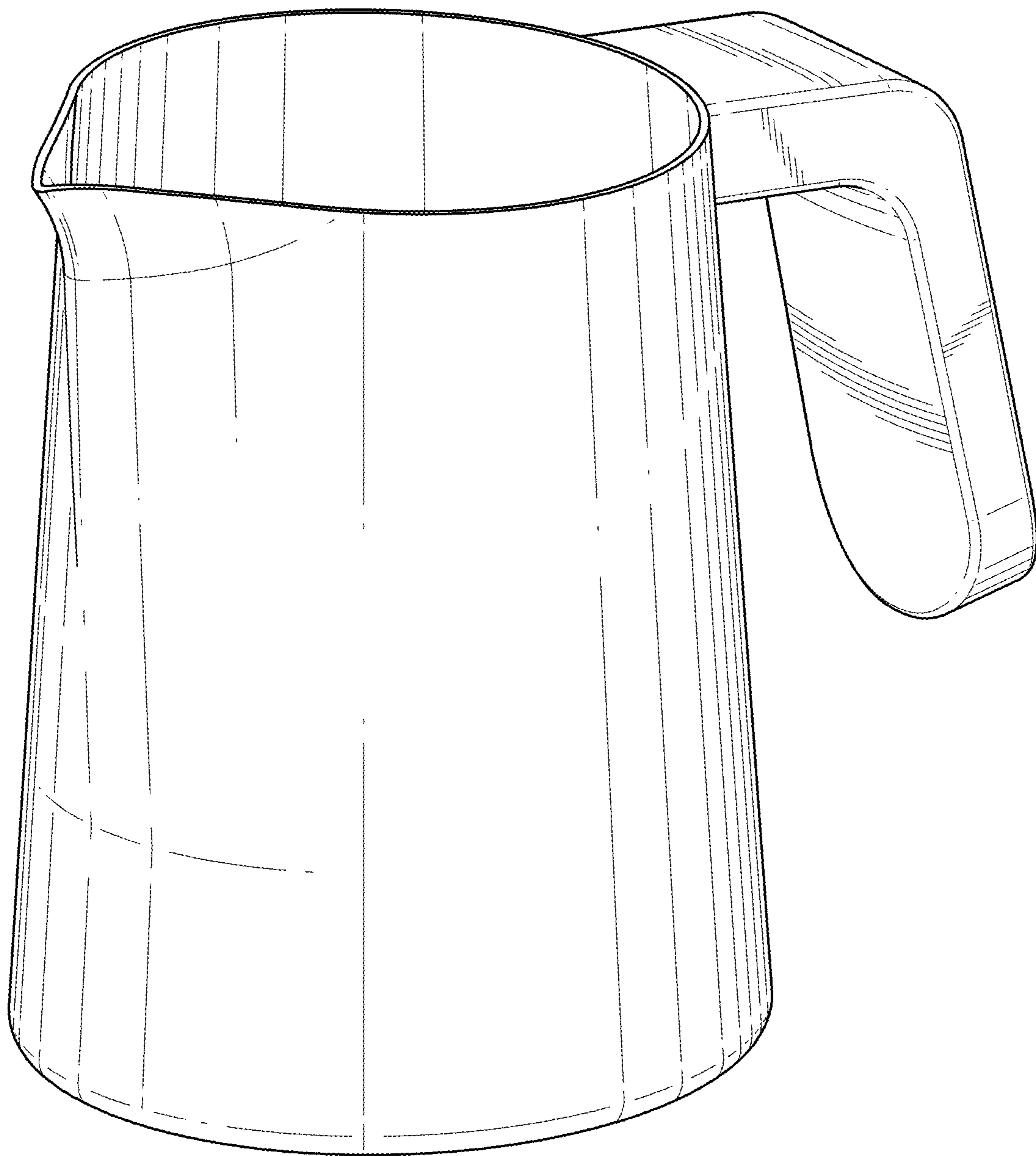


FIG. 2

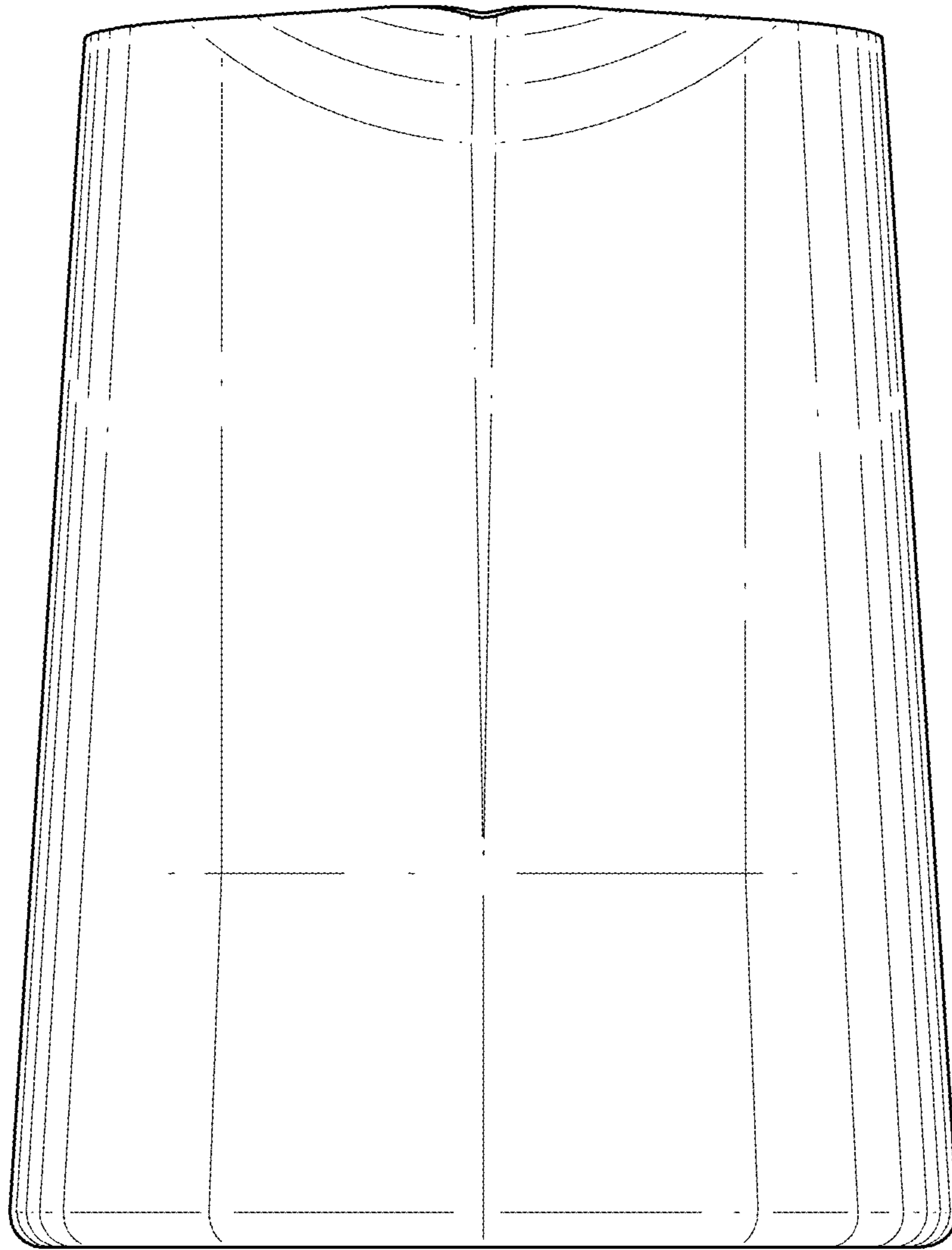


FIG. 3

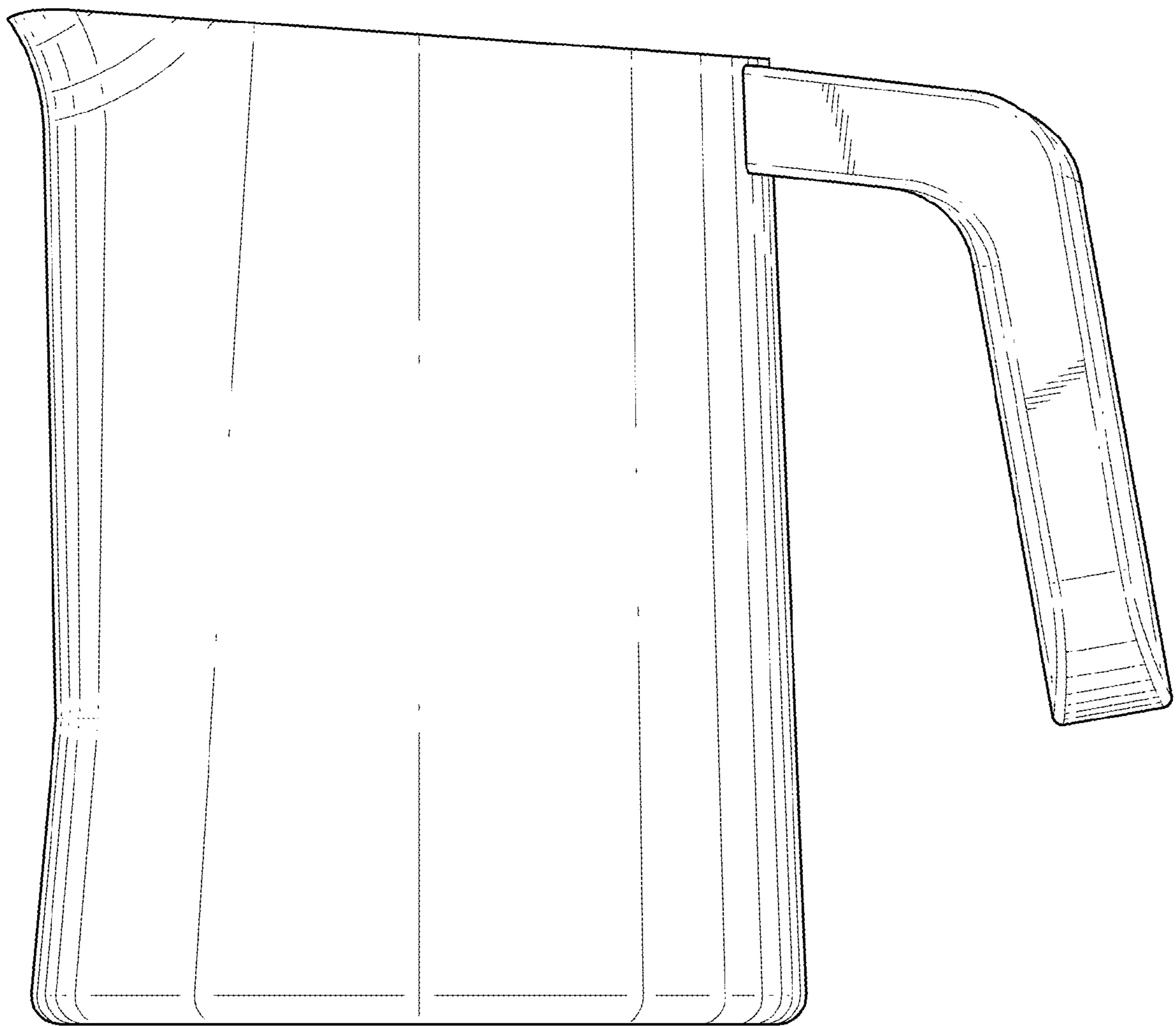


FIG. 4

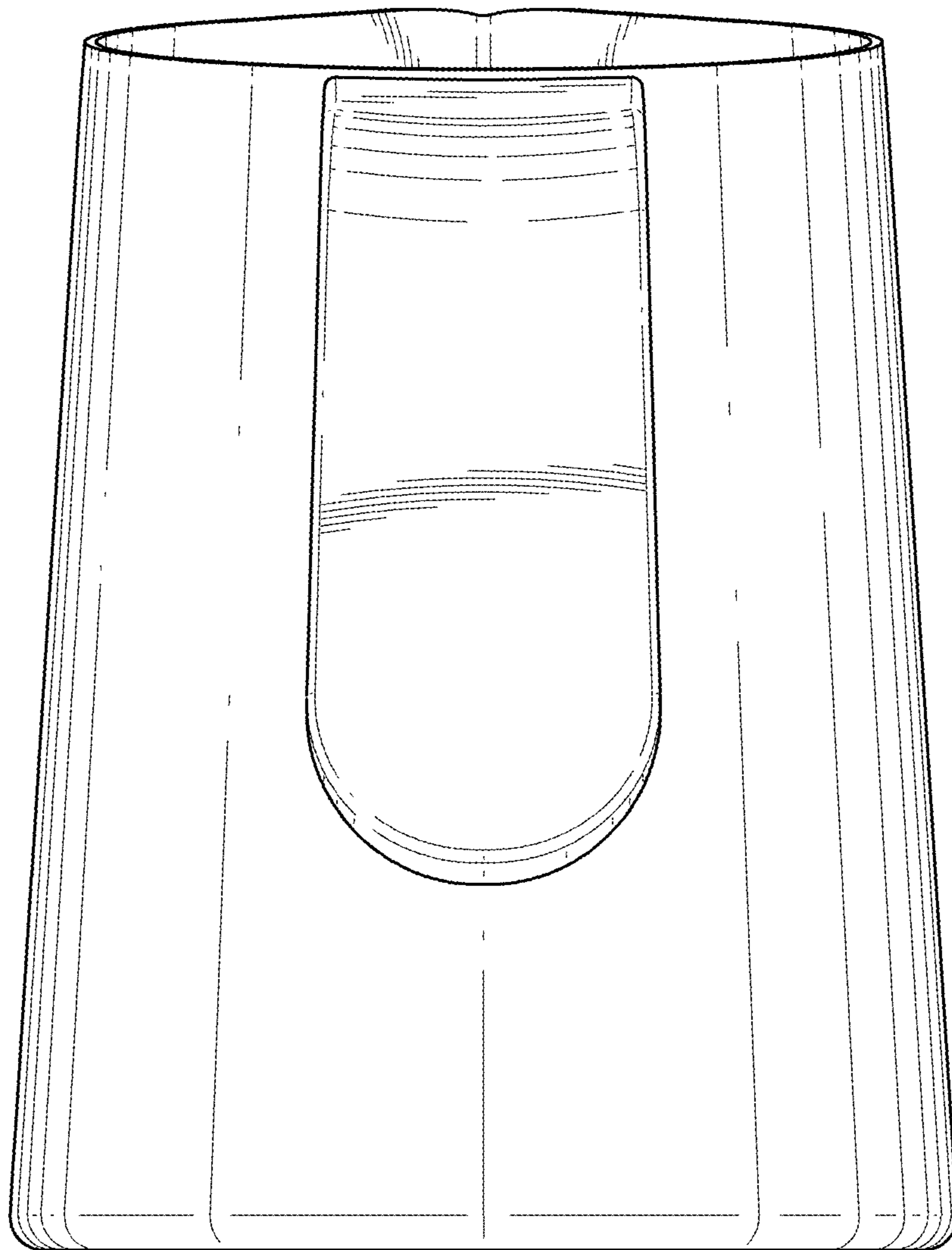


FIG. 5

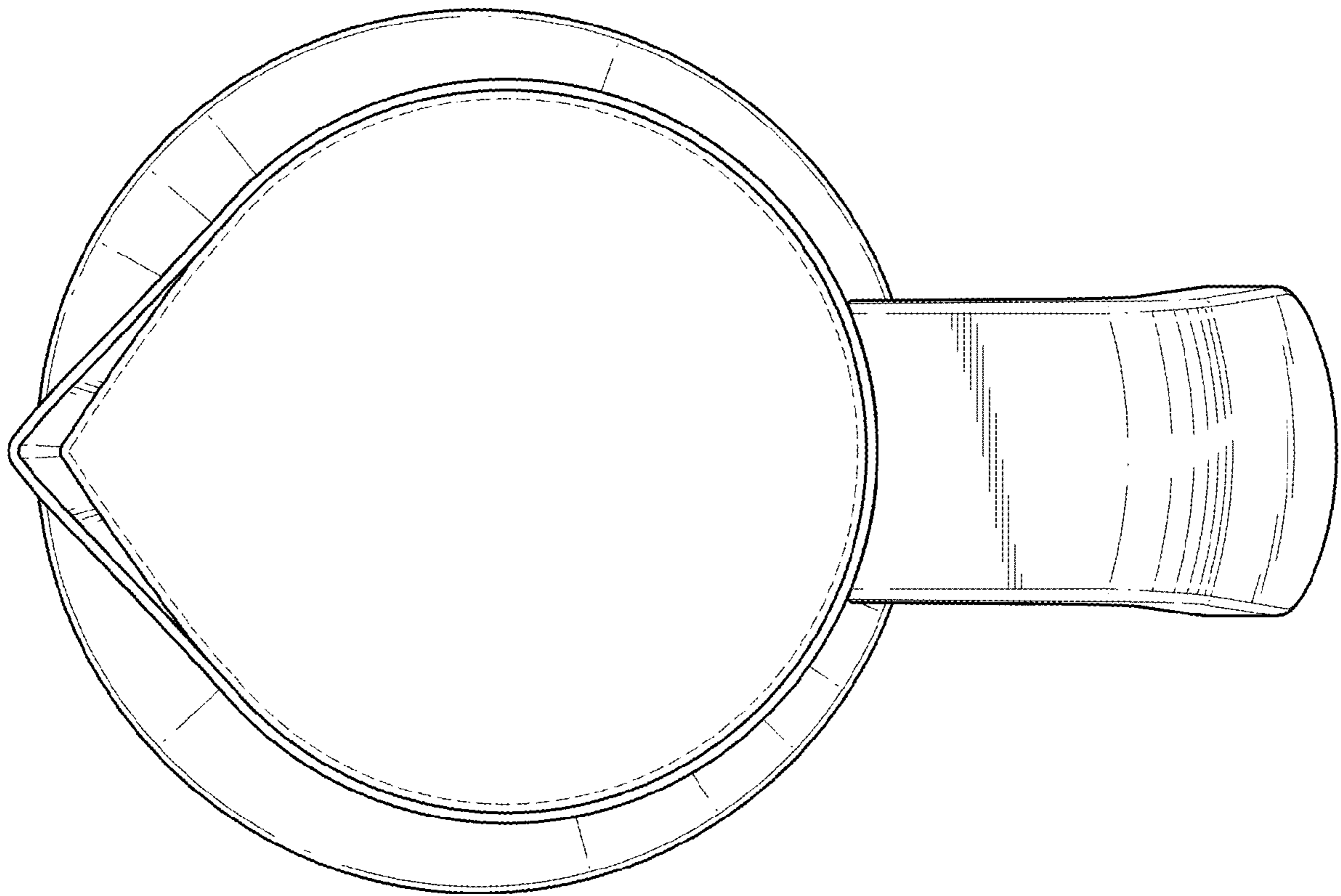


FIG. 6

