



US00D887193S

(12) **United States Design Patent**  
**Izawa**

(10) **Patent No.:** **US D887,193 S**  
(45) **Date of Patent:** **\*\* Jun. 16, 2020**

- (54) **CHAIR**
- (71) Applicant: **Okamura Corporation**, Yokohama-shi, Kanagawa (JP)
- (72) Inventor: **Syouichi Izawa**, Yokohama (JP)
- (73) Assignee: **Okamura Corporation**, Yokohama-shi, Kanagawa (JP)
- (\*\*) Term: **15 Years**
- (21) Appl. No.: **29/641,854**
- (22) Filed: **Mar. 26, 2018**
- (30) **Foreign Application Priority Data**

6,848,744	B1 *	2/2005	Raftery	.....	A47C 31/02
					297/284.1
D537,659	S *	3/2007	Egger	.....	D6/365
D538,561	S *	3/2007	Yun	.....	D6/366
D539,577	S *	4/2007	Mazzera	.....	D6/366
D566,438	S *	4/2008	Tsai	.....	D6/366
D583,161	S *	12/2008	Huang	.....	D6/366
D648,552	S *	11/2011	Izawa	.....	D6/366
D655,112	S *	3/2012	Kubryk	.....	D6/366
D695,537	S *	12/2013	Geelen	.....	D6/366
D705,561	S *	5/2014	Massaud	.....	D6/366
D771,989	S *	11/2016	Giugiaro	.....	D6/716.2
D803,609	S *	11/2017	Guelfo	.....	D6/716.2
D809,325	S *	2/2018	Dorigo	.....	D6/716.2
D873,045	S *	1/2020	Citterio	.....	D6/366
2012/0205948	A1 *	8/2012	Okuda	.....	A47C 7/40
					297/188.03
2015/0265058	A1 *	9/2015	Igarashi	.....	A47C 5/00
					297/285
2019/0298071	A1 *	10/2019	Masunaga	.....	A47C 1/0303

- Sep. 29, 2017 (JP) ..... 2017-021611
- (51) **LOC (12) Cl.** ..... **06-06**
- (52) **U.S. Cl.**  
USPC ..... **D6/716.2**
- (58) **Field of Classification Search**  
USPC ..... D6/328, 334, 354, 355, 364, 366, 601,  
D6/655, 702, 708, 708.16, 708.17,  
D6/708.18, 708.23, 708.24, 708.25, 712,  
D6/716.1, 716.2, 716.3, 716.4, 716.5,  
D6/716.6, 716.7; D21/662, 694, 695  
CPC .. A47C 1/03; A47C 4/02; A47C 31/00; B64D  
11/06; B62J 1/18; B60N 2/01; H01R  
13/60  
See application file for complete search history.

\* cited by examiner

*Primary Examiner* — Kevin K Rudzinski  
*Assistant Examiner* — Paul D Bohannon  
(74) *Attorney, Agent, or Firm* — Sughrue Mion, PLLC

(57) **CLAIM**  
The ornamental design for a chair, as shown and described.

**DESCRIPTION**

FIG. 1 is a front perspective view of a chair.  
FIG. 2 is a rear perspective view thereof.  
FIG. 3 is a front elevation view thereof.  
FIG. 4 is a rear elevation view thereof.  
FIG. 5 is a right side elevation view thereof.  
FIG. 6 is a left side elevation view thereof.  
FIG. 7 is a top plan view thereof; and,  
FIG. 8 is a bottom plan view thereof.  
The broken lines shown in the drawings illustrate portions of the chair that form no part of the claimed design.

**1 Claim, 8 Drawing Sheets**

- (56) **References Cited**  
U.S. PATENT DOCUMENTS  
D417,792 S \* 12/1999 Hansen ..... D6/366  
D418,316 S \* 1/2000 Vogtherr ..... D6/366  
D433,833 S \* 11/2000 Schultz ..... D6/366  
D452,785 S \* 1/2002 Chu ..... D6/366

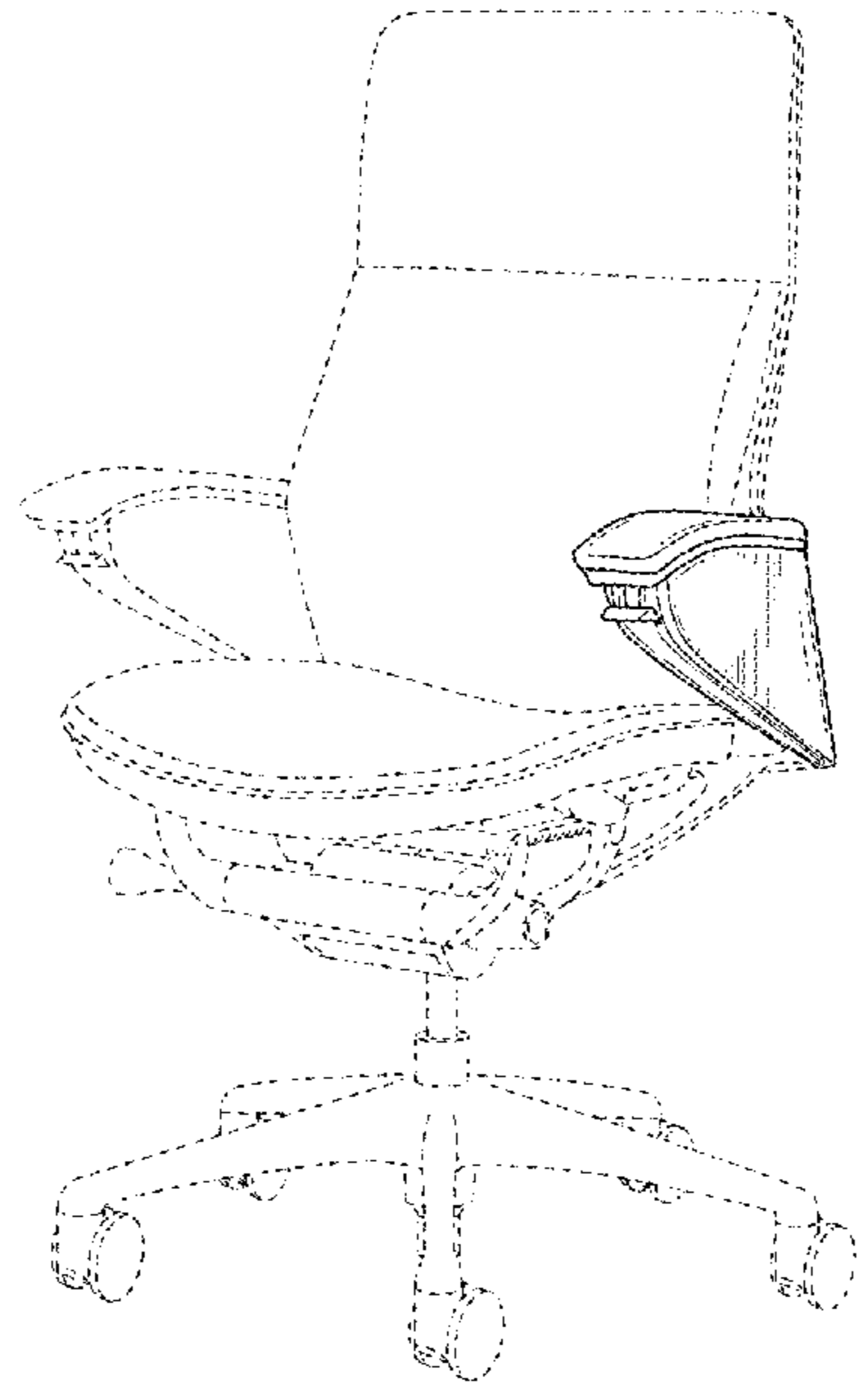


FIG. 1

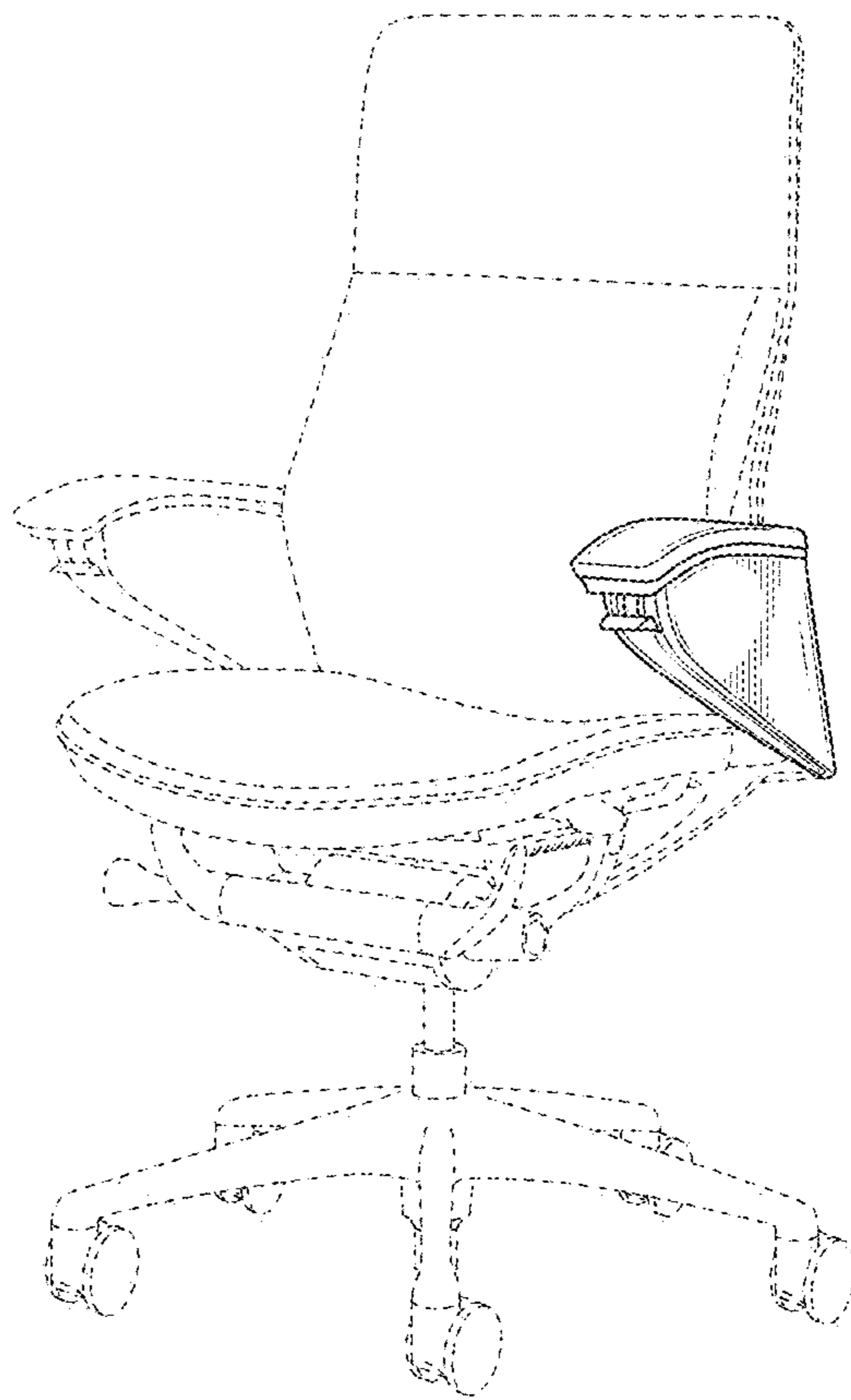


FIG. 2

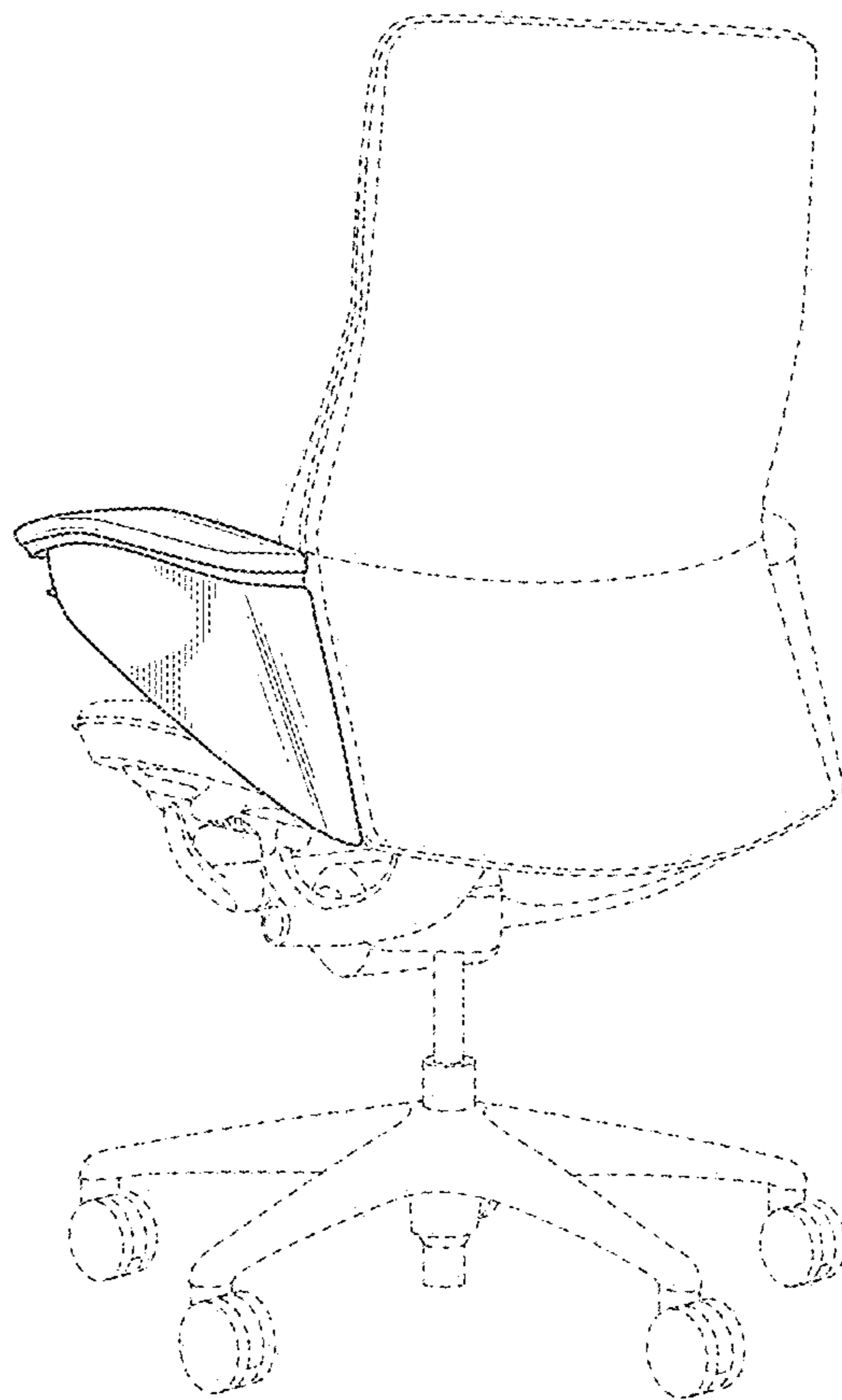


FIG. 3

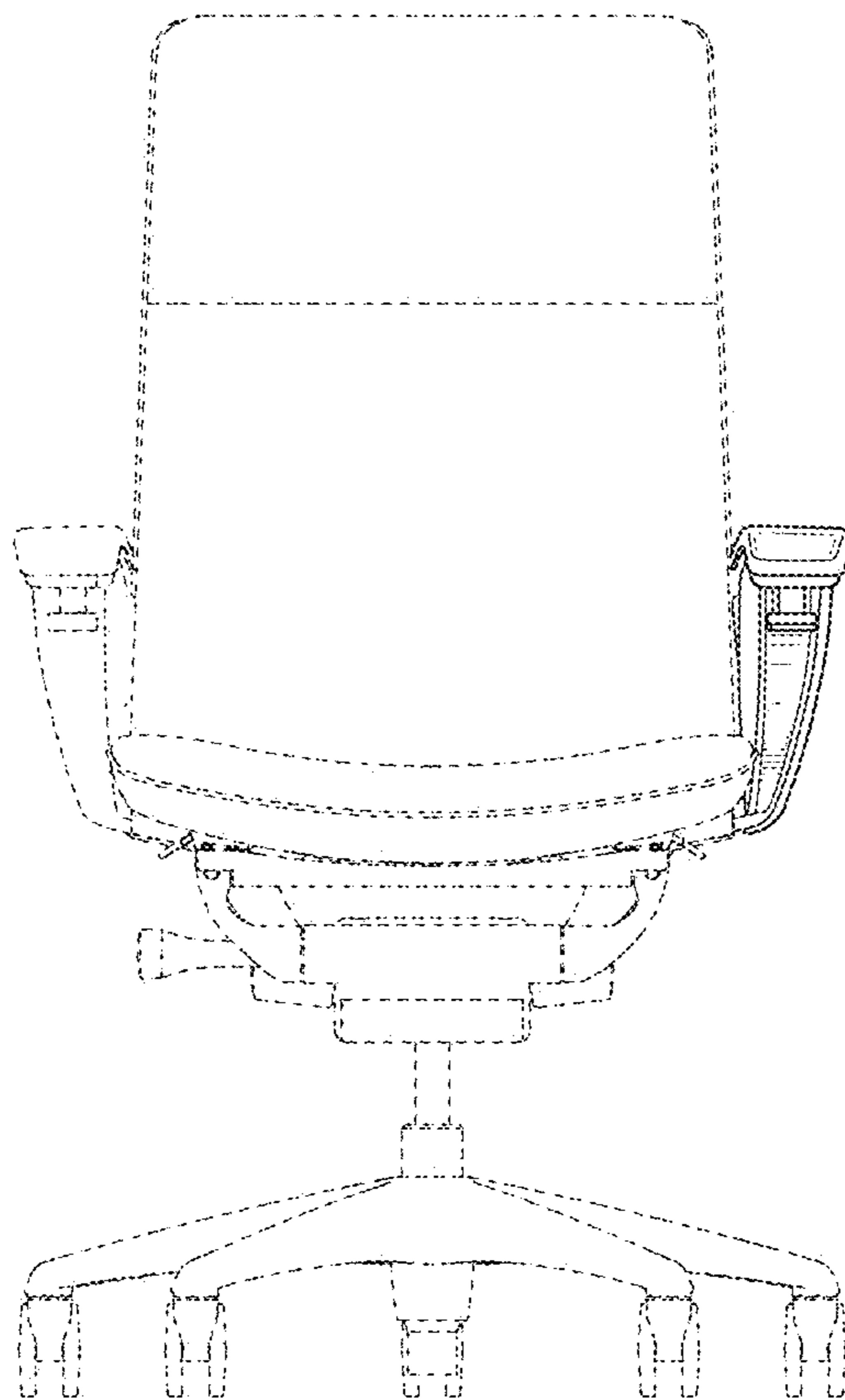


FIG. 4

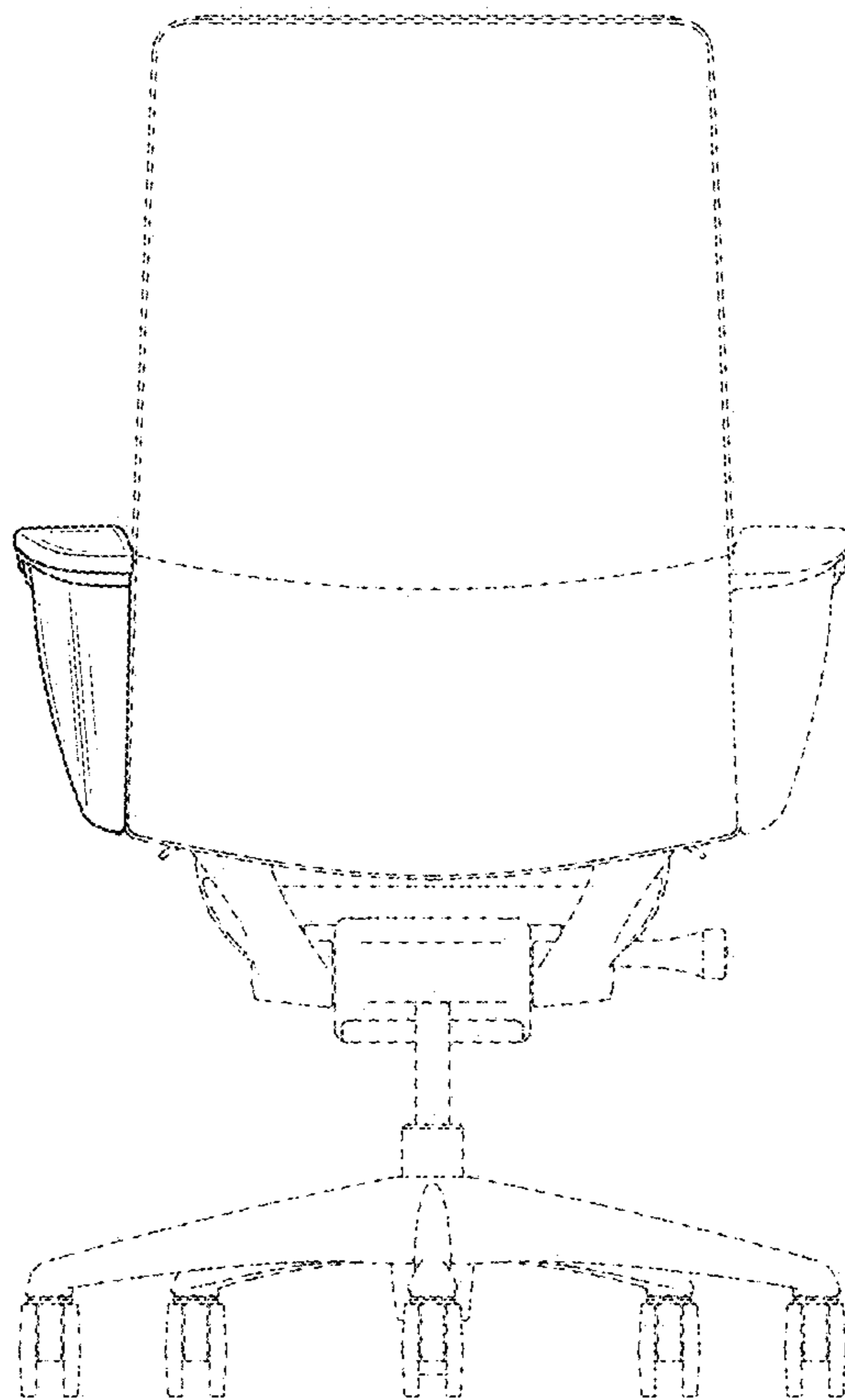


FIG. 5

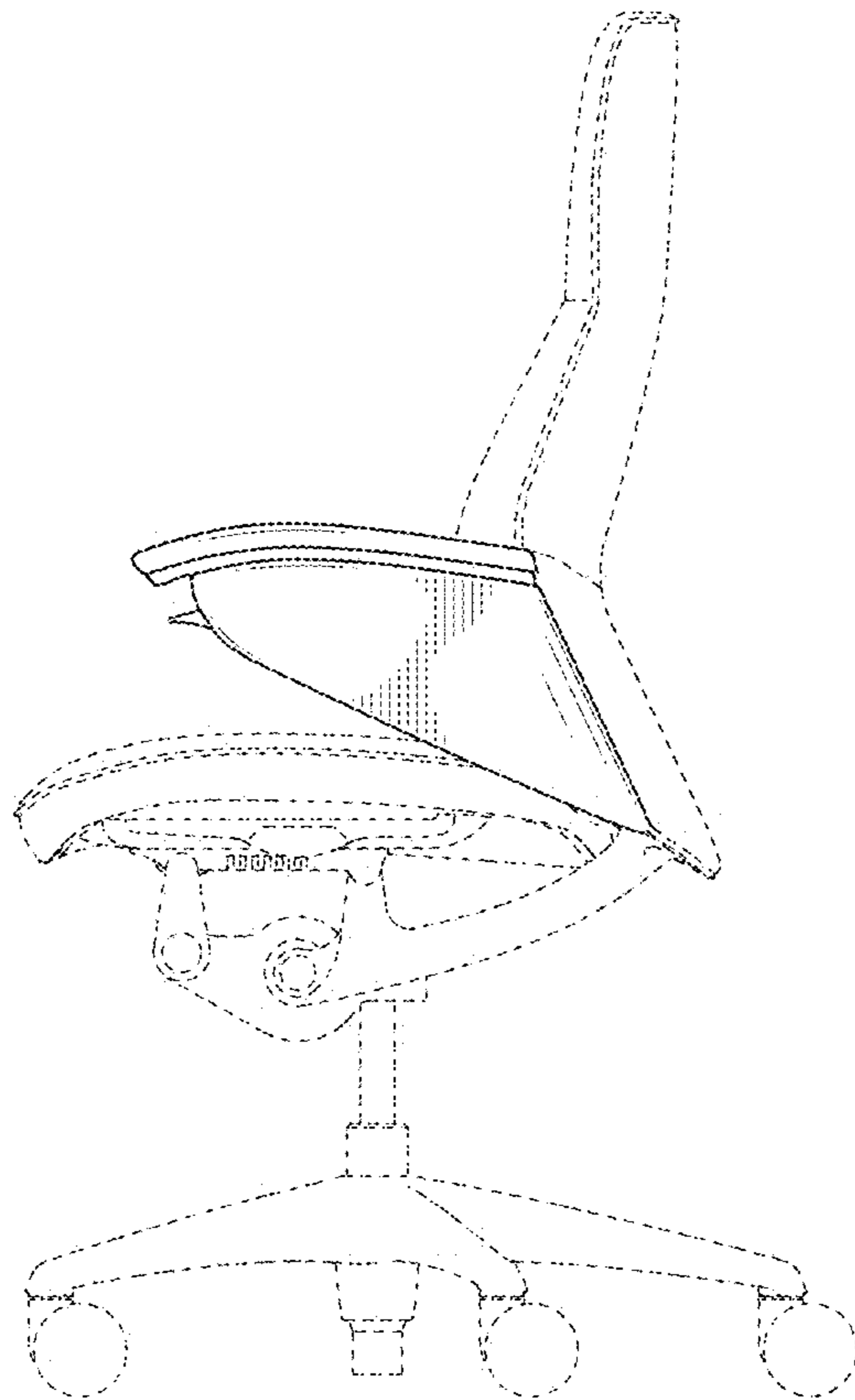


FIG. 6

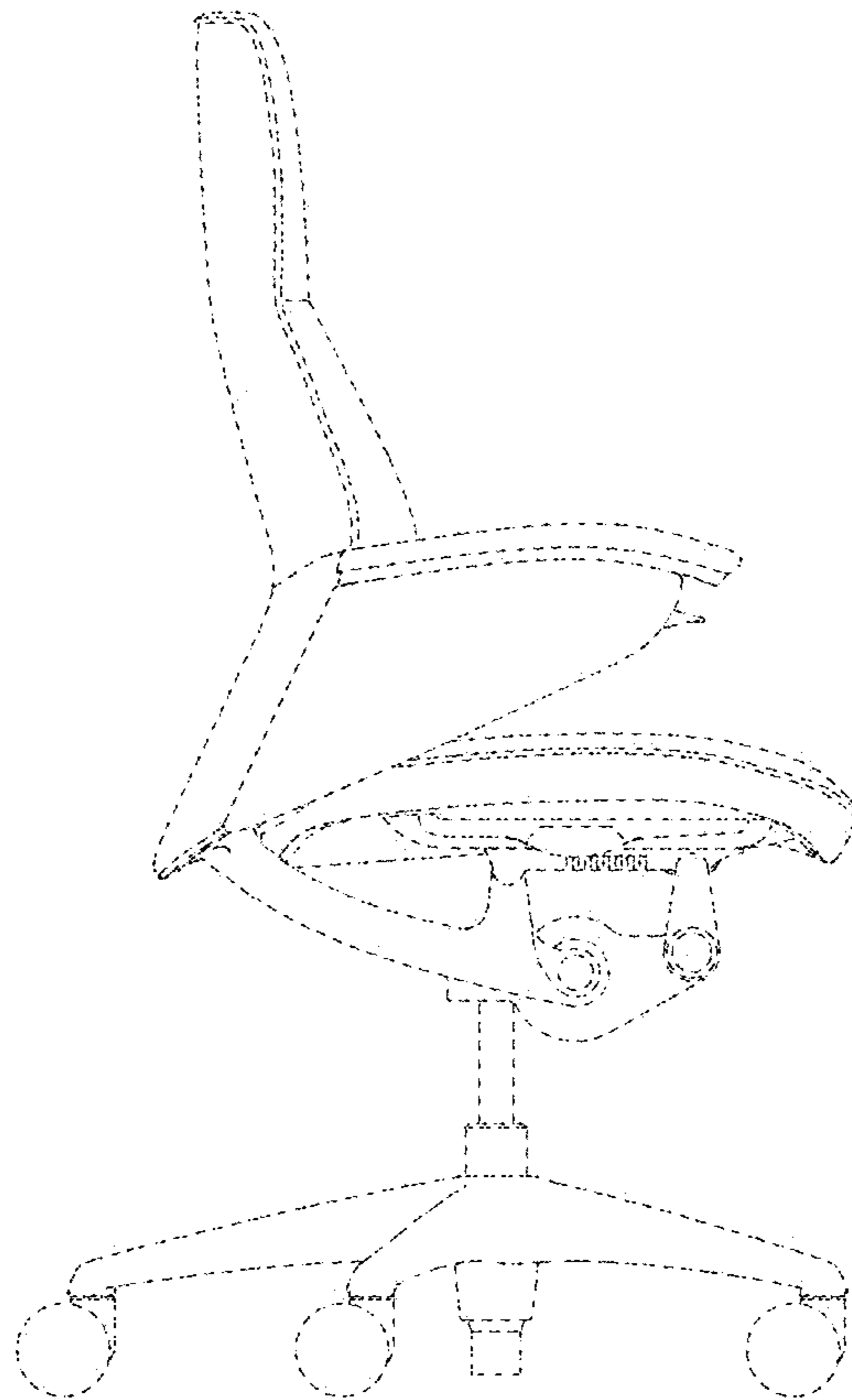


FIG. 7

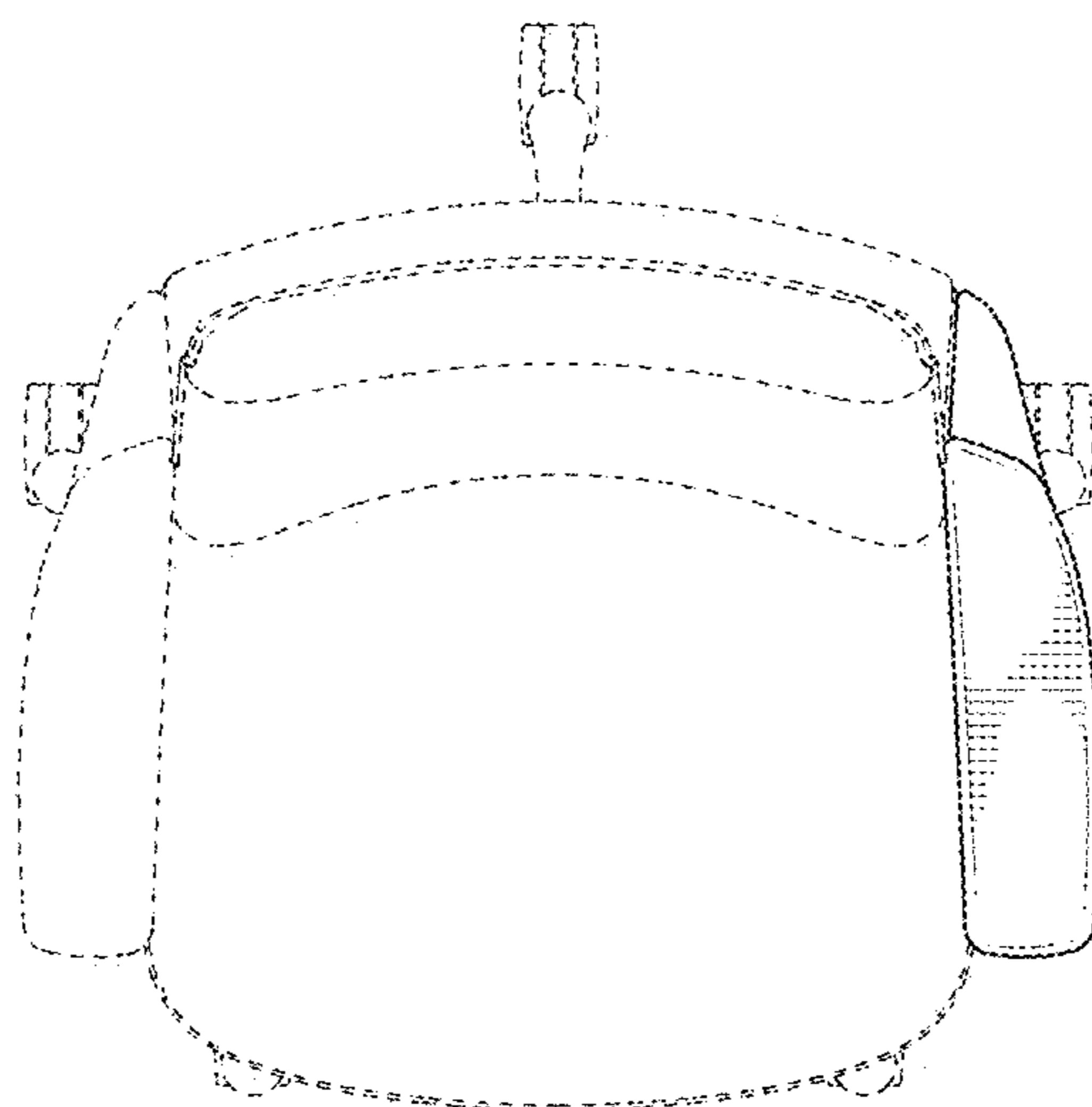




FIG. 8

