



US00D887191S

(12) **United States Design Patent**  
**Kim**

(10) **Patent No.:** **US D887,191 S**  
(45) **Date of Patent:** **\*\* Jun. 16, 2020**

(54) **CHAIR FRAME**

(71) Applicant: **OSUNG DURALUMIN CO., LTD.**,  
Incheon (KR)

(72) Inventor: **Hyun-Gil Kim**, Goyang-si (KR)

(73) Assignee: **OSUNG DURALUMIN CO., LTD.**,  
Incheon (KR)

(\*\*) Term: **15 Years**

(21) Appl. No.: **29/641,438**

(22) Filed: **Mar. 22, 2018**

(30) **Foreign Application Priority Data**

Dec. 28, 2017 (KR) ..... 30-2017-0062237

(51) **LOC (12) Cl.** ..... **06-01**

(52) **U.S. Cl.**  
USPC ..... **D6/708.16; D6/368**

(58) **Field of Classification Search**  
USPC ..... D6/334-336, 368, 373, 374, 375, 376,  
D6/379, 380, 716, 716.1, 716.2, 716.3,  
D6/716.4, 708.16

CPC .... A47C 4/00; A47C 4/18; A47C 4/28; A47C  
4/283; A47C 4/286; A47C 4/30; A47C  
4/42; A47C 4/44; A47C 4/46; A47C 4/48;  
A47C 5/04; A47C 5/10

See application file for complete search history.

(56) **References Cited**

**U.S. PATENT DOCUMENTS**

4,047,752 A \* 9/1977 Rohr ..... A47C 4/286  
297/19  
D290,557 S \* 6/1987 Salvati ..... D6/368  
D298,888 S \* 12/1988 Conn ..... D6/368  
D675,841 S \* 2/2013 Mound, II ..... D6/368

D771,986 S \* 11/2016 Lee ..... D6/708.16  
D773,221 S \* 12/2016 Lee ..... D6/708.16  
D815,448 S \* 4/2018 Jin ..... D6/368  
D817,014 S \* 5/2018 Zhu ..... D6/368  
D831,366 S \* 10/2018 Jin ..... D6/368  
D833,768 S \* 11/2018 Jin ..... D6/368  
D839,623 S \* 2/2019 Peck ..... D6/368

\* cited by examiner

*Primary Examiner* — Mimoso De

(74) *Attorney, Agent, or Firm* — Paratus Law Group,  
PLLC

(57) **CLAIM**

The ornamental design for a chair frame, as shown and  
described.

**DESCRIPTION**

FIG. 1 is a perspective view of a chair frame showing the  
claimed design;

FIG. 2 is a front view thereof;

FIG. 3 is a rear view thereof;

FIG. 4 is a left side view thereof;

FIG. 5 is a right side view thereof;

FIG. 6 is a top view thereof; and,

FIG. 7 is a bottom view thereof.

**1 Claim, 7 Drawing Sheets**

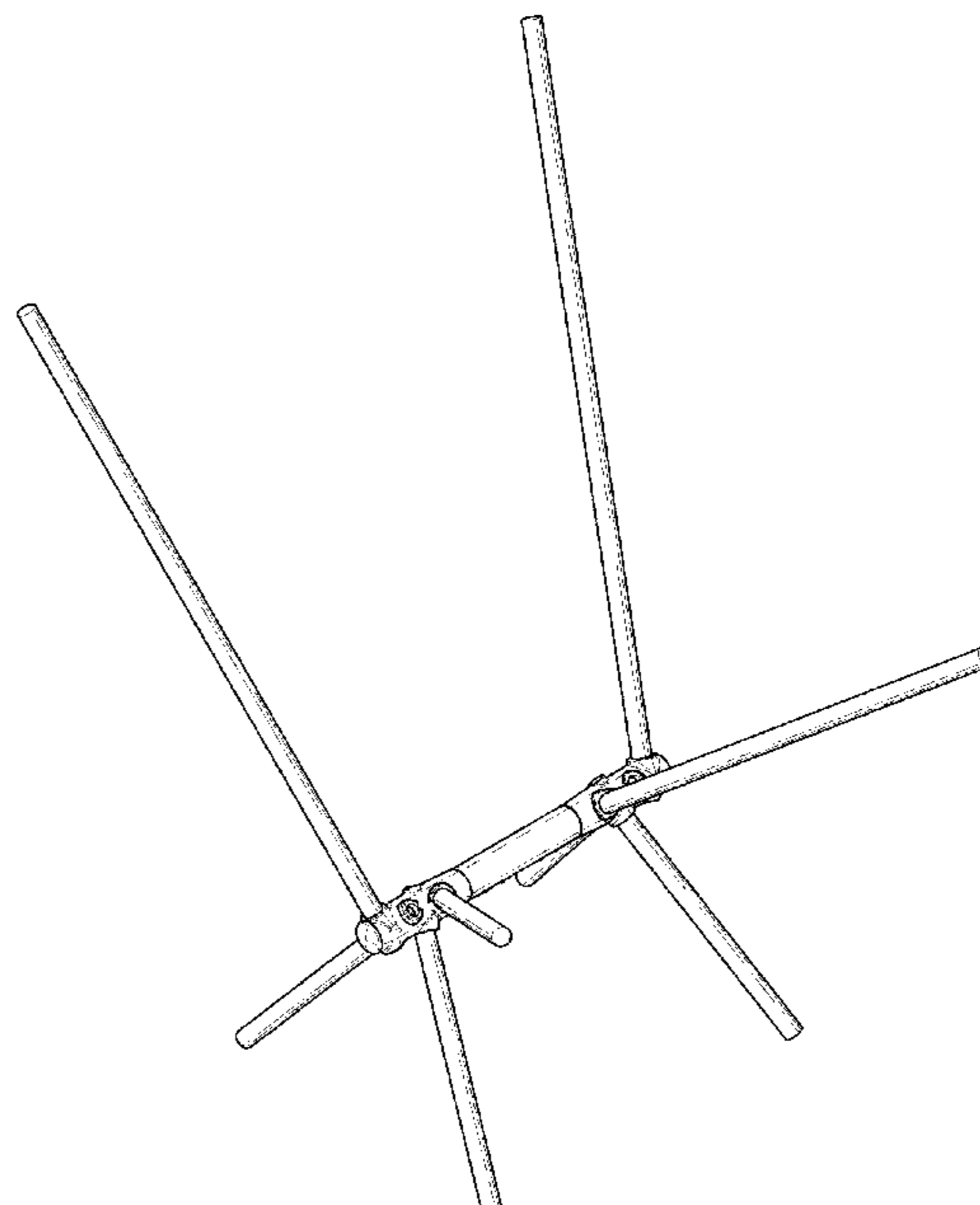


FIG. 1

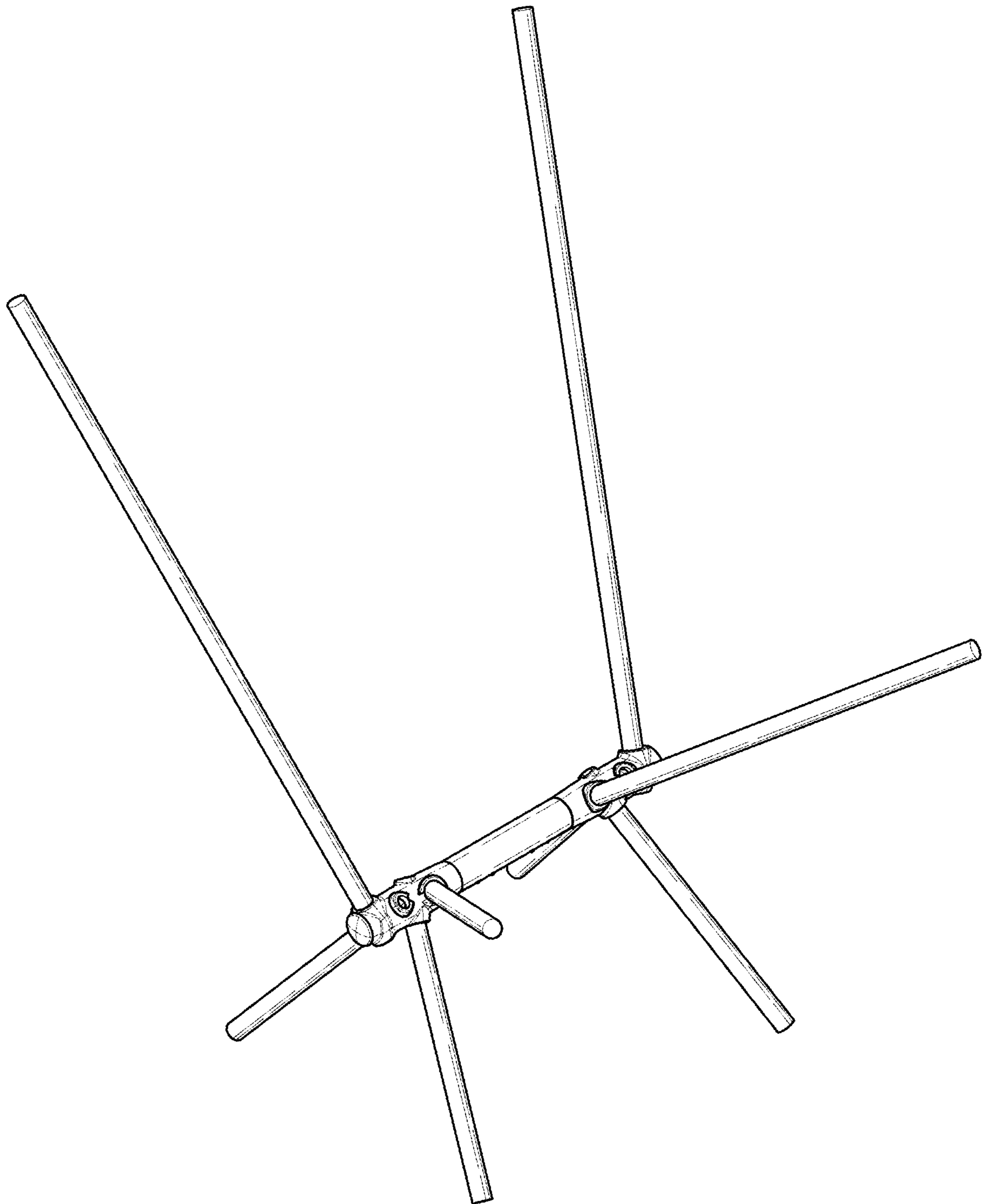


FIG. 2

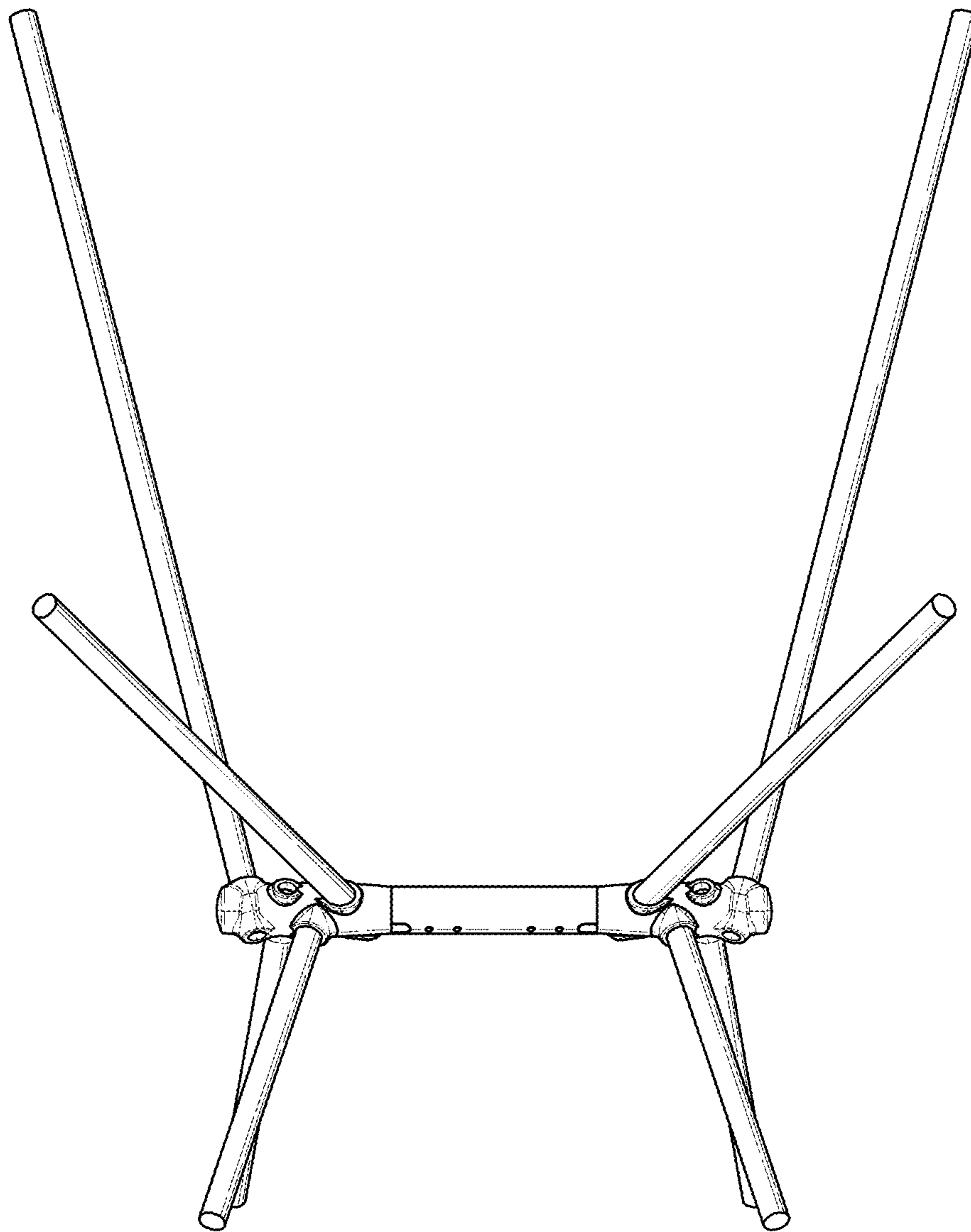
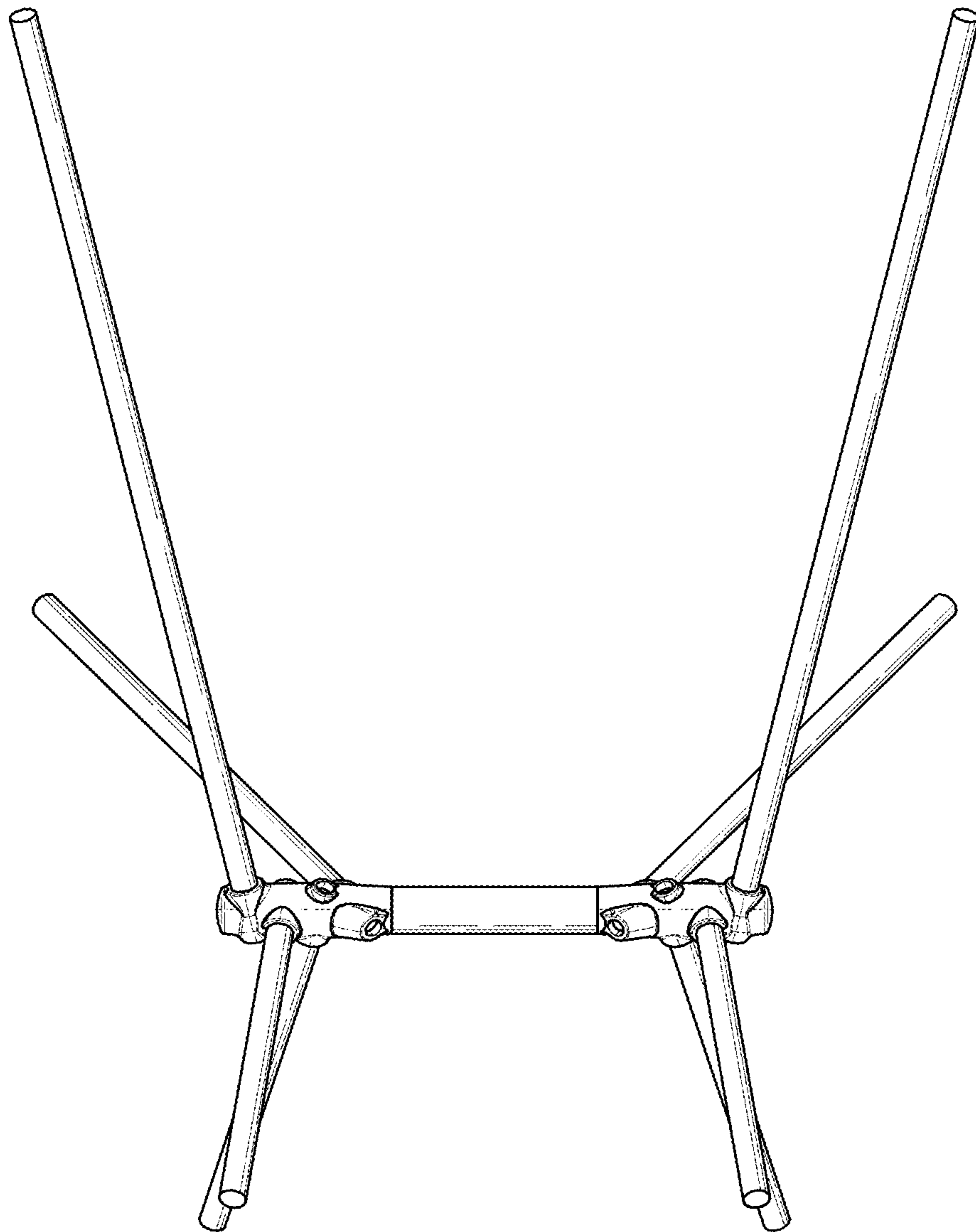
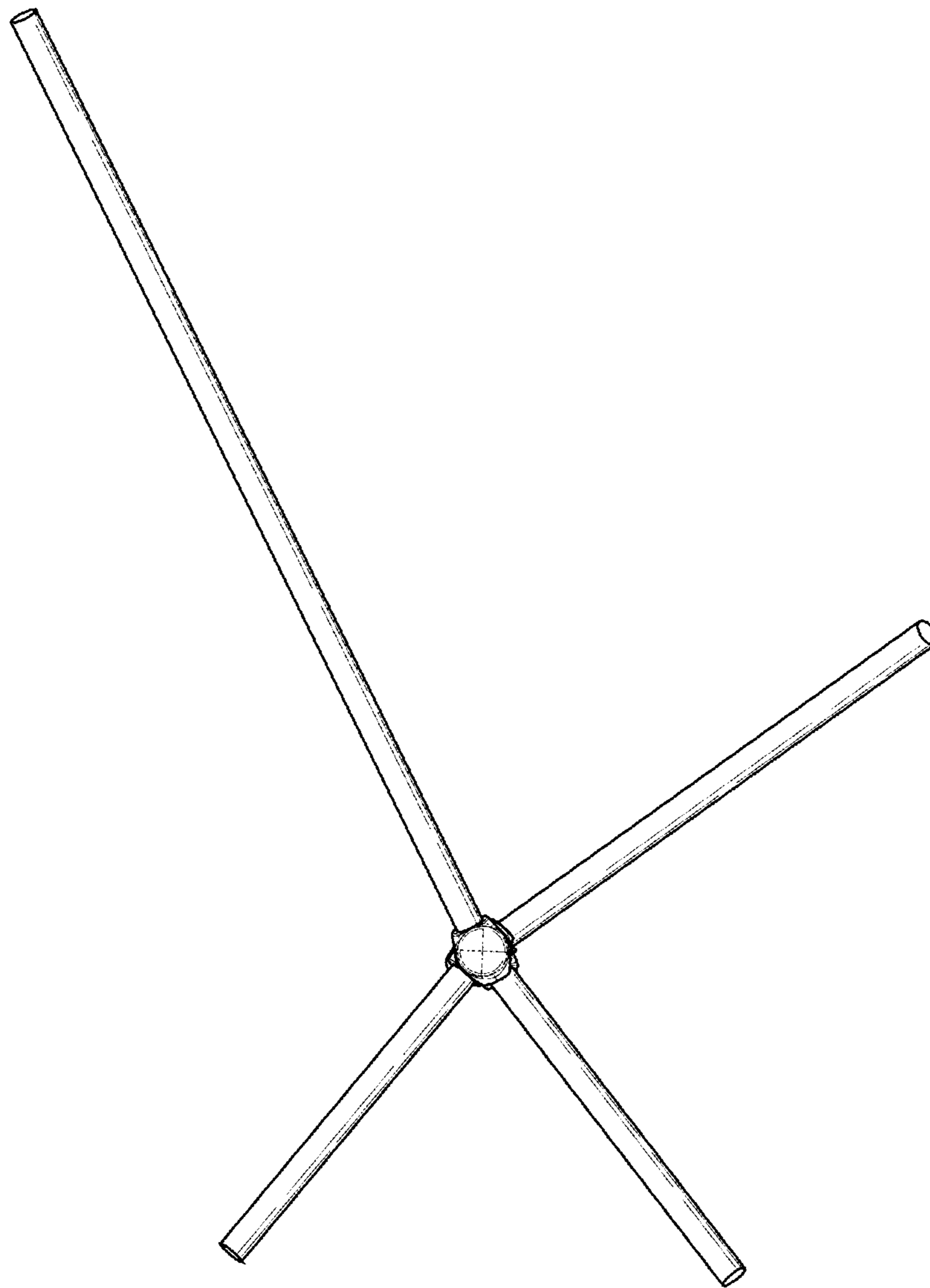


FIG. 3



**FIG. 4**



**FIG. 5**

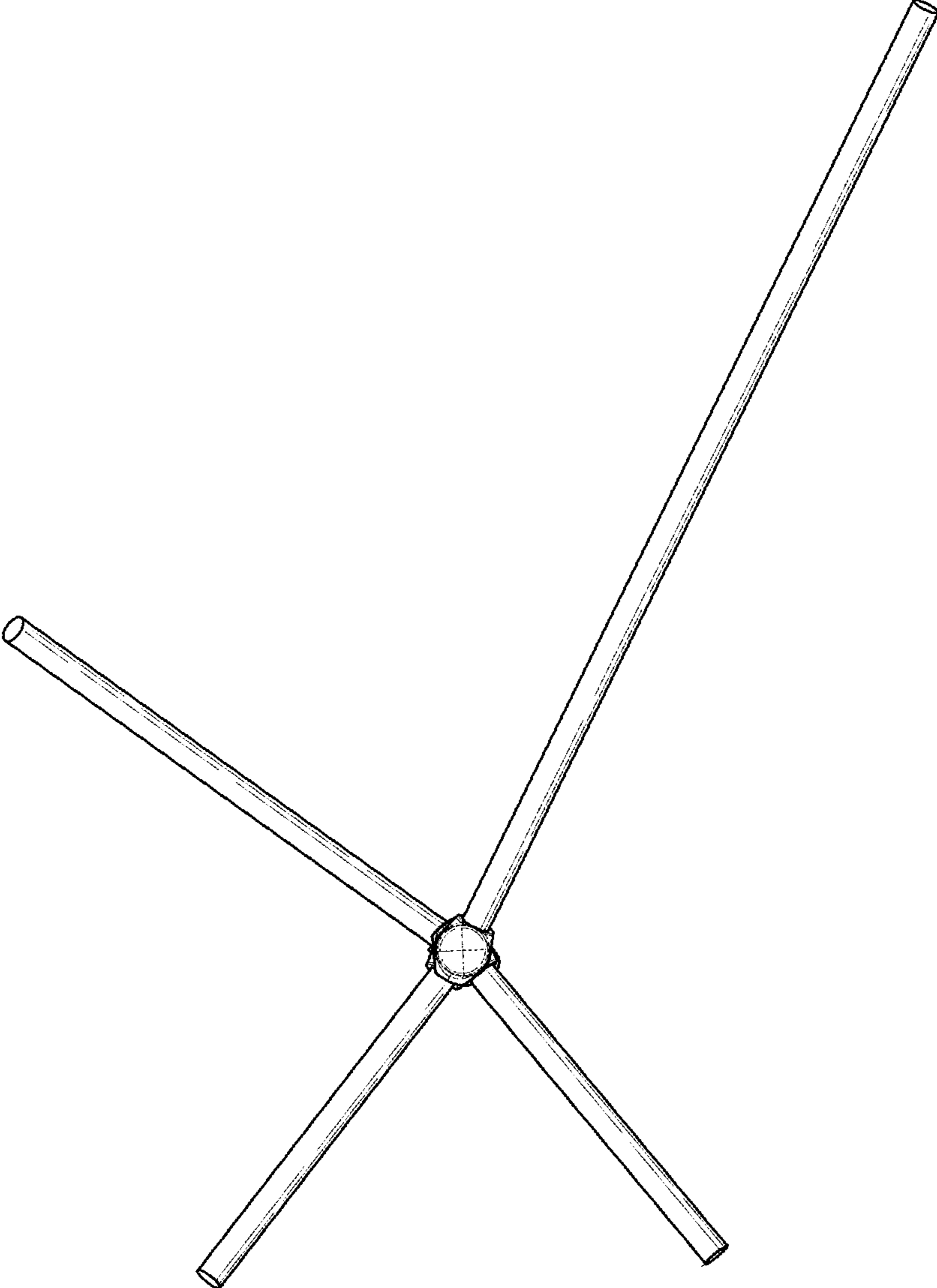


FIG. 6

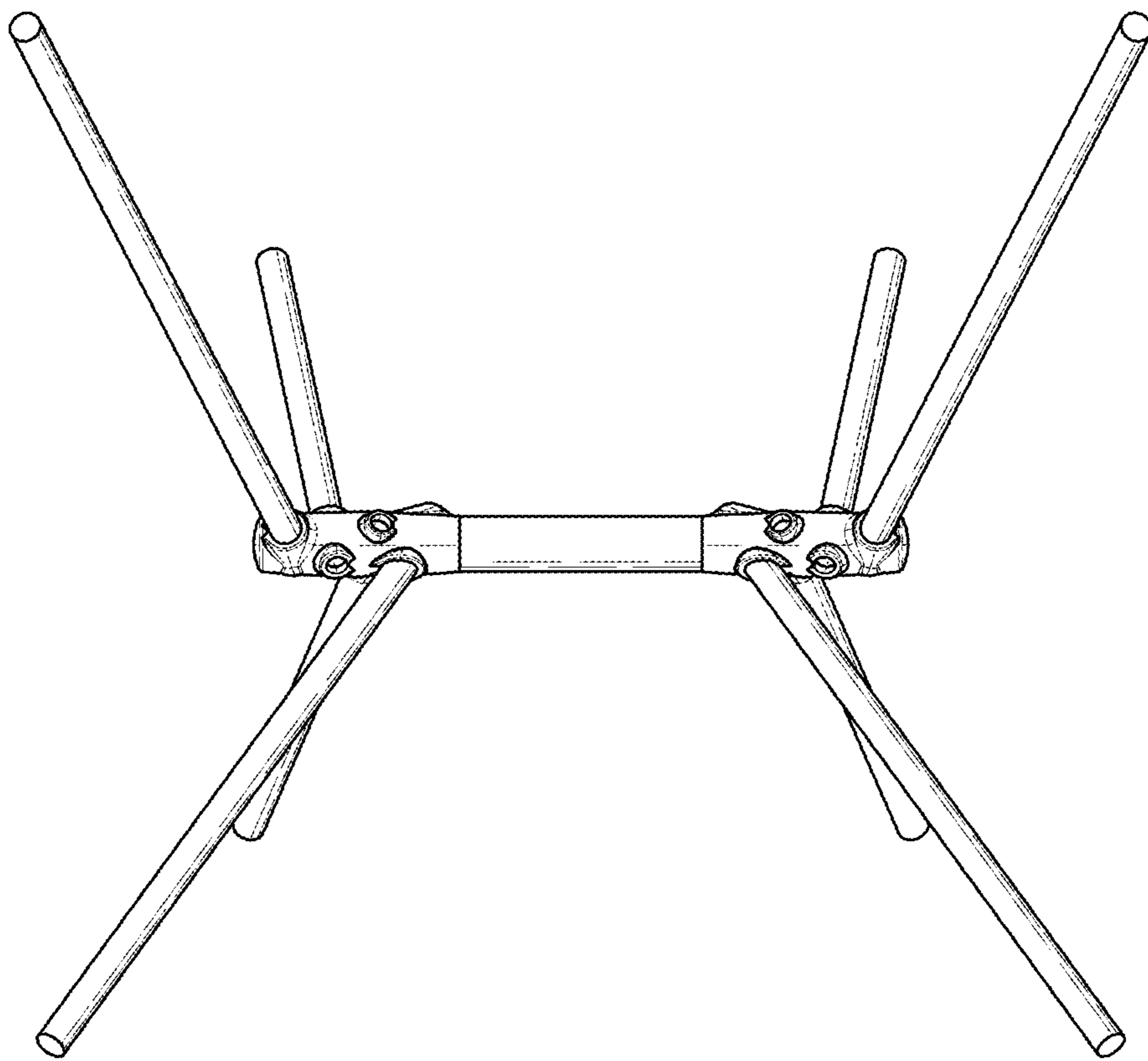


FIG. 7

