



US00D887190S

(12) **United States Design Patent**
Lin

(10) **Patent No.:** **US D887,190 S**
(45) **Date of Patent:** **** Jun. 16, 2020**

(54) **TILTABLE FIXED BASE FOR TABLE**

D585,449 S * 1/2009 Anderson D14/451
D594,001 S * 6/2009 Sexton D14/239
7,543,985 B2 * 6/2009 Chapman A61B 6/4429
378/181

(71) Applicants: **HI-MAX INNOVATION CO., LTD.**,
Taichung (TW); **Yi-Chen Tseng**,
Taichung (TW)

(Continued)

(72) Inventor: **Jhieh-Fan Lin**, Taichung (TW)

OTHER PUBLICATIONS

(73) Assignees: **Hi-Max Innovation Co., Ltd.**,
Taichung (TW); **Yi-Chen Tseng**,
Taichung (TW)

“Pivot and Tilt OverBed Table.” Found online Jan. 27, 2020 at
www.caregiverproducts.com. Page archived Dec. 11, 2013. Retrieved
from URL: <https://web.archive.org/web/20131211011700/http://www.caregiverproducts.com:80/pivot-tilt-overbed-table.html> (Year:
2013).*

(Continued)

(**) Term: **15 Years**

(21) Appl. No.: **29/658,784**

Primary Examiner — Mary Ann Calabrese

(22) Filed: **Aug. 2, 2018**

Assistant Examiner — Katelin G Kloberg

(51) **LOC (12) Cl.** **06-06**

(74) *Attorney, Agent, or Firm* — Wang Law Firm, Inc.

(52) **U.S. Cl.**

(57) **CLAIM**

USPC **D6/707.17**; D8/349

The ornamental design for a tiltable fixed base for table, as
shown and described.

(58) **Field of Classification Search**

DESCRIPTION

USPC D6/647, 656, 675, 691, 707.17, 708;
D8/349, 373, 380; D14/239, 451

CPC F16M 11/38; F16M 2200/044; F16M
2200/068; Y10S 248/923; A47B 27/14;
A47B 3/08; H05K 7/16

See application file for complete search history.

FIG. 1 is a top, front, right side, perspective view of a tiltable
fixed base for table, showing my new design;

FIG. 2 is a front view thereof; the rear view being a mirror
image;

FIG. 3 is a left side view thereof;

FIG. 4 is a right side view thereof

FIG. 5 is a top plan view thereof;

FIG. 6 is a bottom plan view thereof;

FIG. 7 is a bottom, front, left side perspective view shown
within an environment of use;

FIG. 8 is a cross-section view taken along line 8-8 in FIG.
2; and,

FIG. 9 is a cross-section view taken along line 9-9 in FIG.
5.

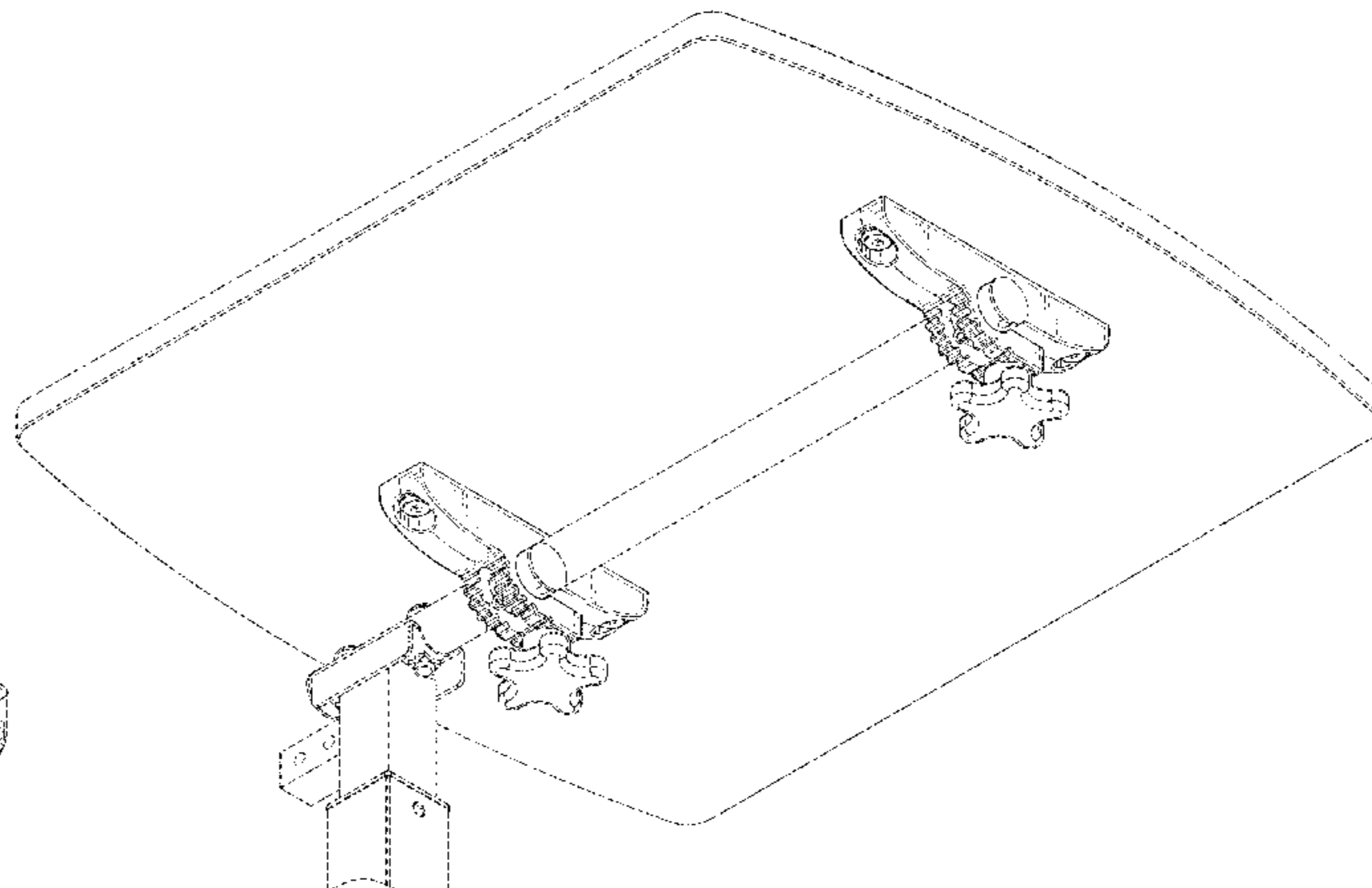
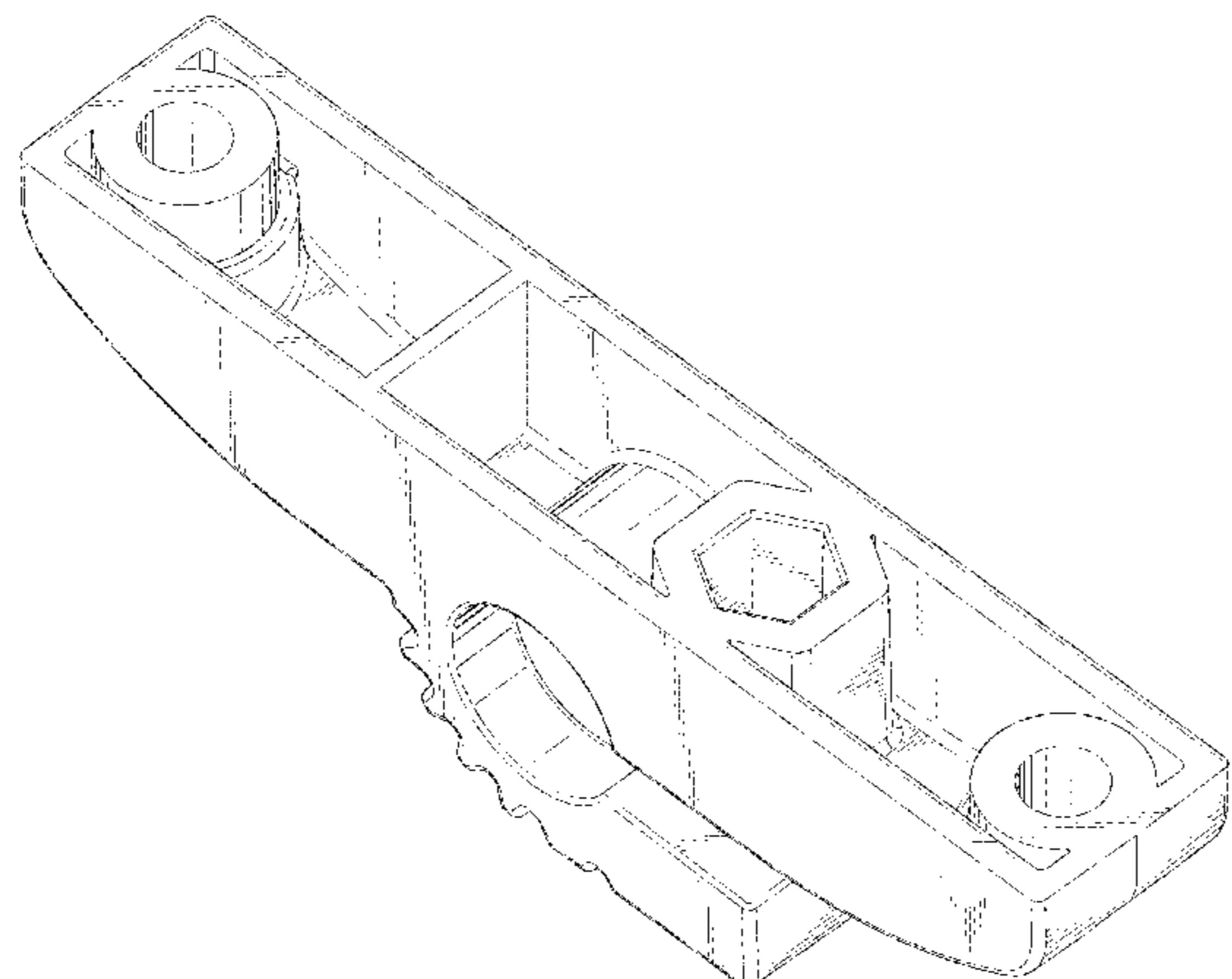
In FIG. 7, the broken lines depict environmental subject
matter that forms no part of the claimed design.

(56) **References Cited**

U.S. PATENT DOCUMENTS

3,370,556 A * 2/1968 Kooi A47B 27/14
108/136
3,603,545 A * 9/1971 Boniface F16M 11/10
248/184.1
D494,596 S * 8/2004 Pfister D14/451
D494,978 S * 8/2004 Pfister D14/432
D507,902 S * 8/2005 Cioncada D6/647
D552,885 S * 10/2007 Saotome D6/656
D553,125 S * 10/2007 Ly Hau D14/239
D574,386 S * 8/2008 Bailo D14/451
D574,698 S * 8/2008 Grey D14/451

1 Claim, 7 Drawing Sheets



(56)

References Cited

U.S. PATENT DOCUMENTS

7,641,163 B2 * 1/2010 O'Keene F16M 11/10
248/284.1
D623,878 S * 9/2010 Jacobsen D6/707.17
D643,421 S * 8/2011 Russell D14/239
8,028,964 B2 * 10/2011 Monaco F16M 13/02
248/292.14
D671,339 S * 11/2012 Nakamura D6/691
D676,689 S * 2/2013 Matsushita D6/691
D681,979 S * 5/2013 Keen D6/691
D695,557 S * 12/2013 Carretta D6/708
8,746,642 B2 * 6/2014 Molter F16M 11/10
248/299.1
D738,191 S * 9/2015 Nas D8/349
2004/0245420 A1 * 12/2004 Pfister F16C 11/103
248/289.11
2009/0114130 A1 * 5/2009 Chirea A47B 3/08
108/124
2010/0038501 A1 * 2/2010 Oh F16M 11/10
248/201

OTHER PUBLICATIONS

“Brand New LED Plasma Tilt Flat Screen TV Wall Mount Bracket.”
Found online Jan. 27, 2020 at www.alibaba.com. Image archived
Dec. 24, 2015. Retrieved from URL: [https://tineye.com/search/
72391f58d85f7b20b6f9b4e2c7c82ca230475f42?page=1&extension_
ver=chrome-1.3.0](https://tineye.com/search/72391f58d85f7b20b6f9b4e2c7c82ca230475f42?page=1&extension_ver=chrome-1.3.0) (Year: 2015).*
“Vintage 1920s Cast Iron Hardware, Solid Maple and Pine Drafting
Table.” Found online Jan. 27, 2020 at www.chairish.com. Product
manufactured in the 1920s. Retrieved from URL: [https://www.
chairish.com/product/1385709/vintage-1920s-cast-iron-hardware-
solid-maple-and-pine-drafting-table](https://www.chairish.com/product/1385709/vintage-1920s-cast-iron-hardware-solid-maple-and-pine-drafting-table) (Year: 1920).*
“Active Collection Locus 5 Adjustable Standing Desk.” Found
online Jan. 27, 2020 at www.amazon.com. Product first available
Jul. 19, 2016. Retrieved form URL: [https://www.amazon.com/
Collection-FSD-5000-BK-Adjustable-Standing-Laminate/dp/
B01IP1IVM4](https://www.amazon.com/Collection-FSD-5000-BK-Adjustable-Standing-Laminate/dp/B01IP1IVM4) (Year : 2016).*

* cited by examiner

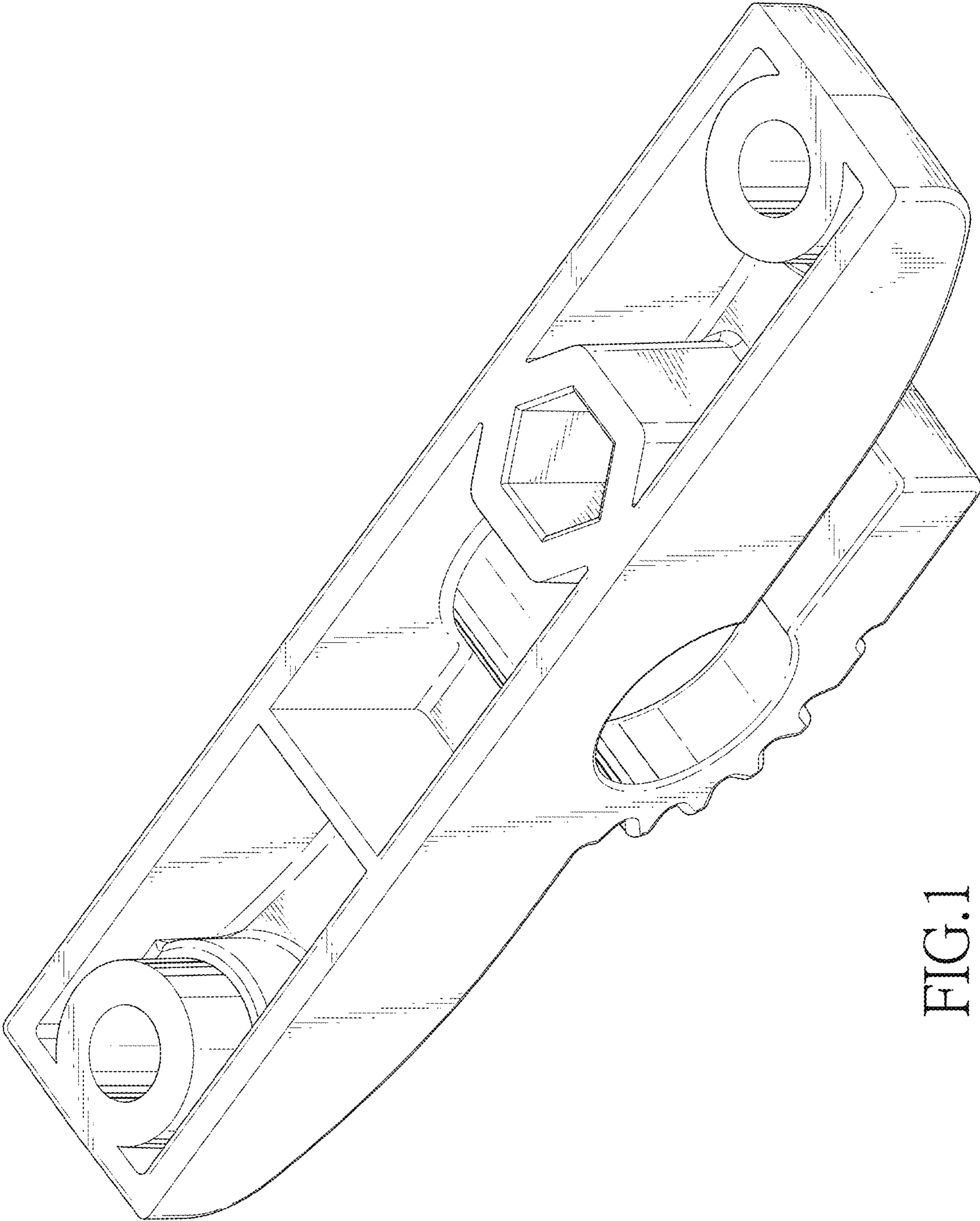


FIG.1

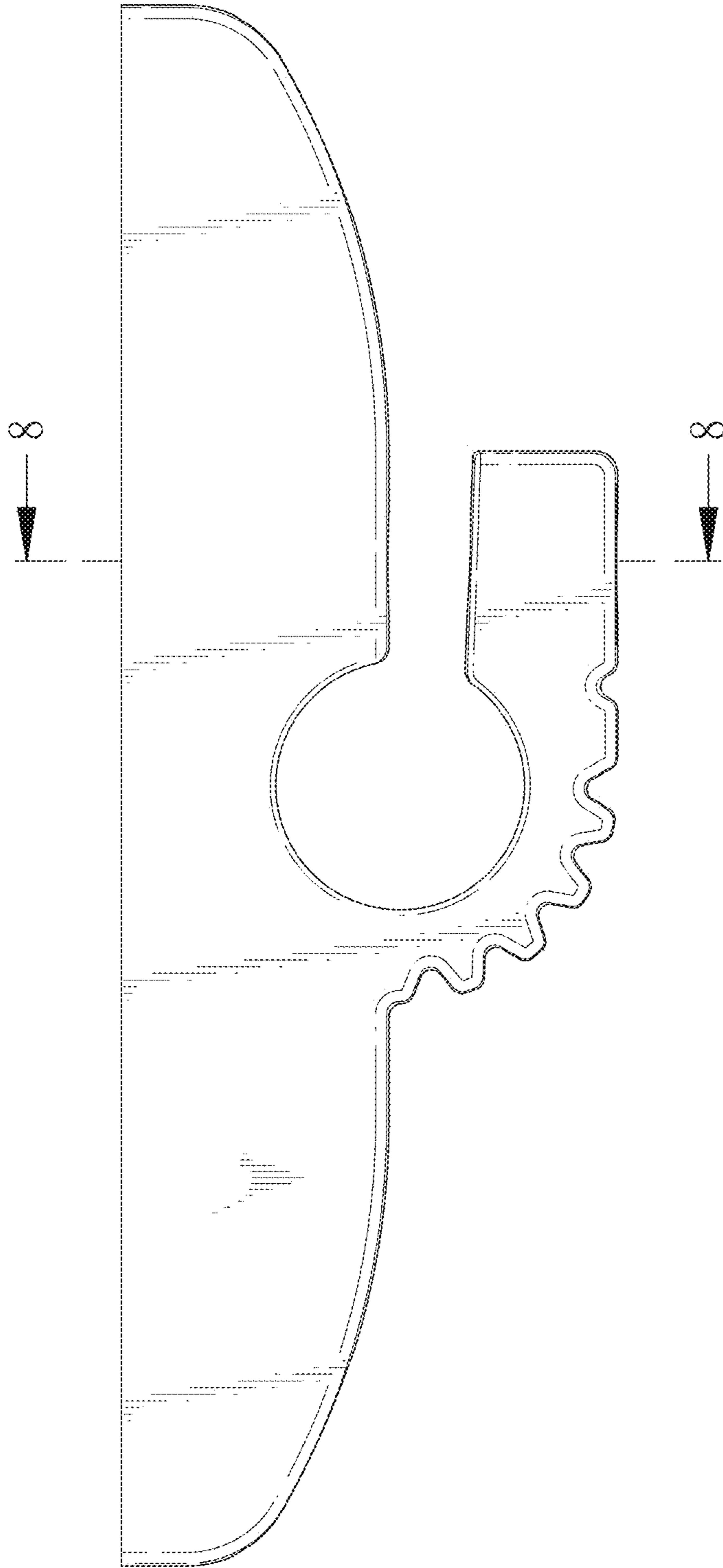


FIG.2

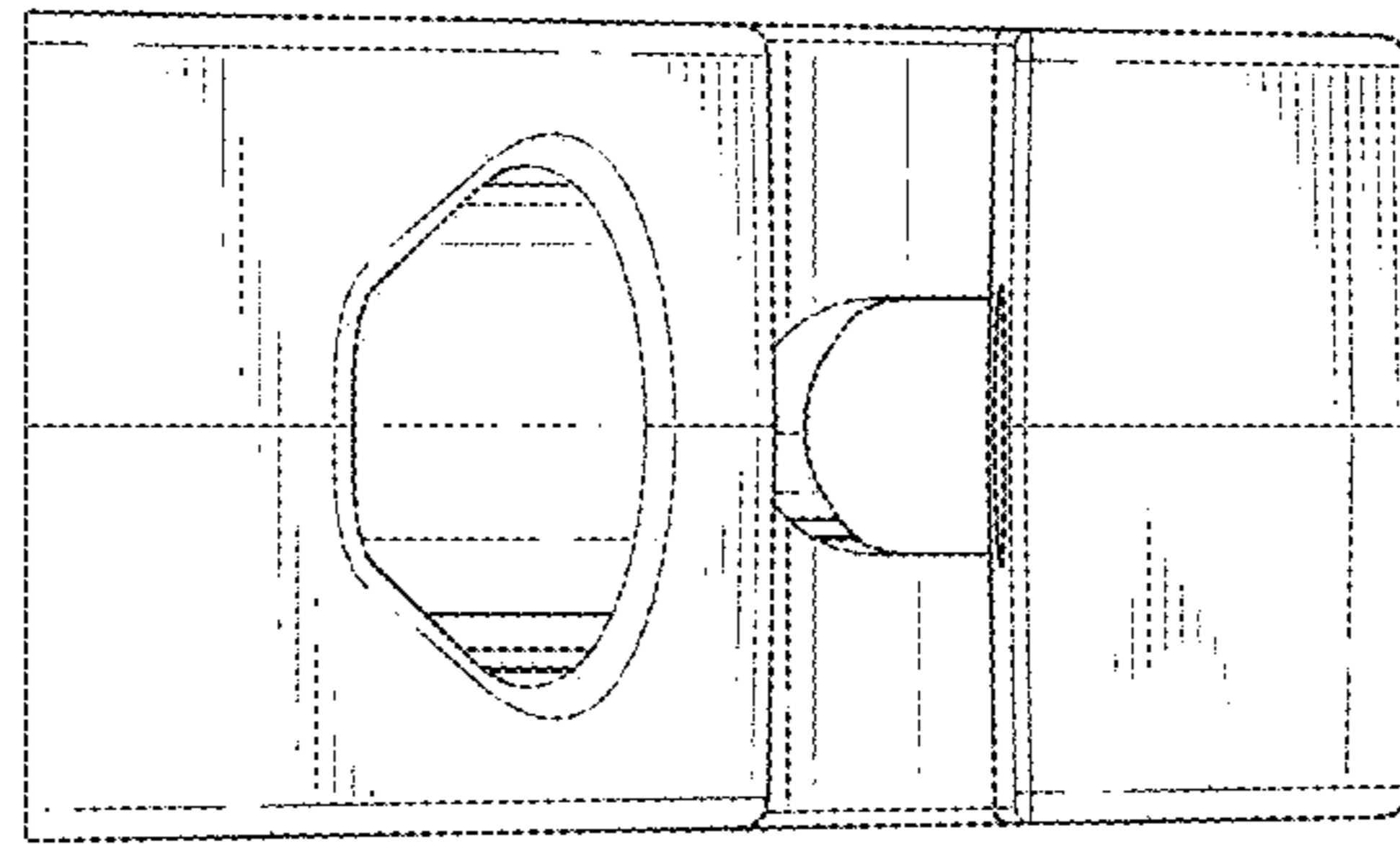


FIG.4

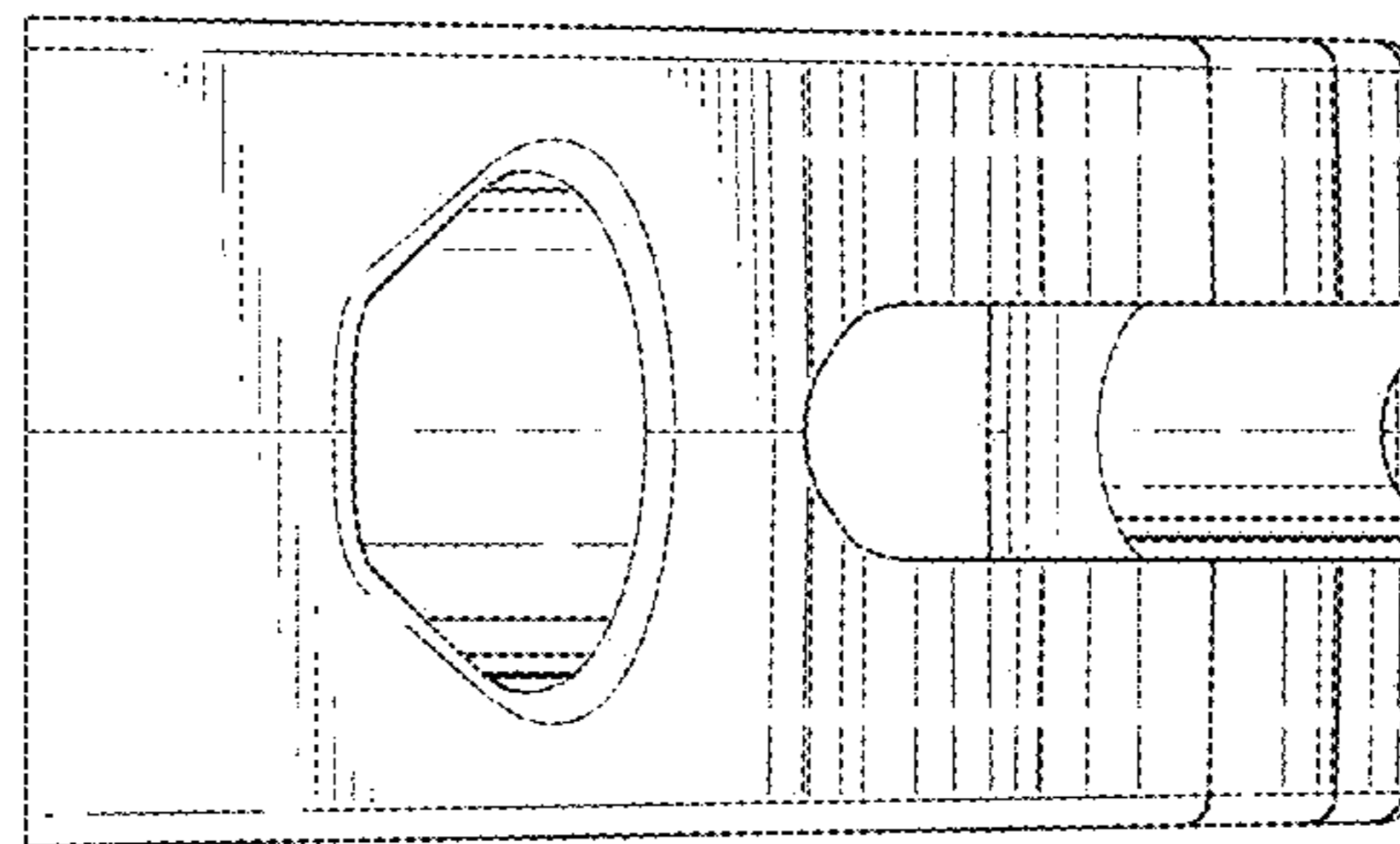


FIG.3

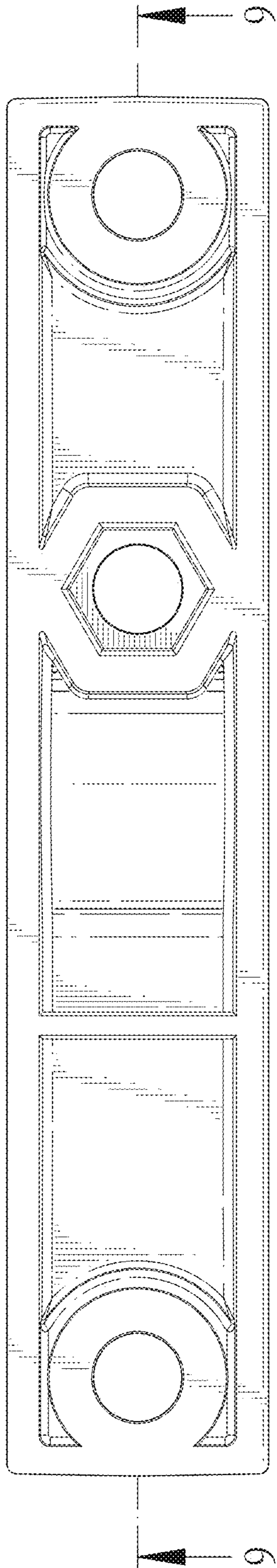


FIG. 5

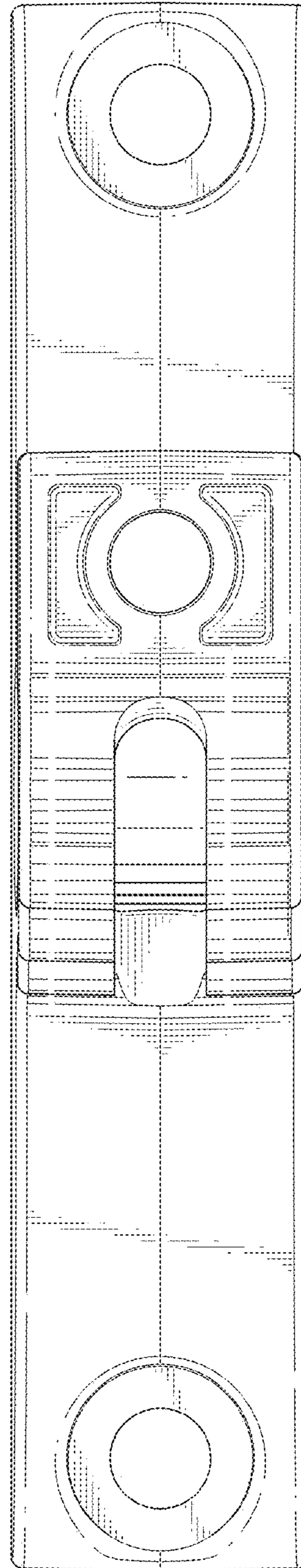


FIG. 6

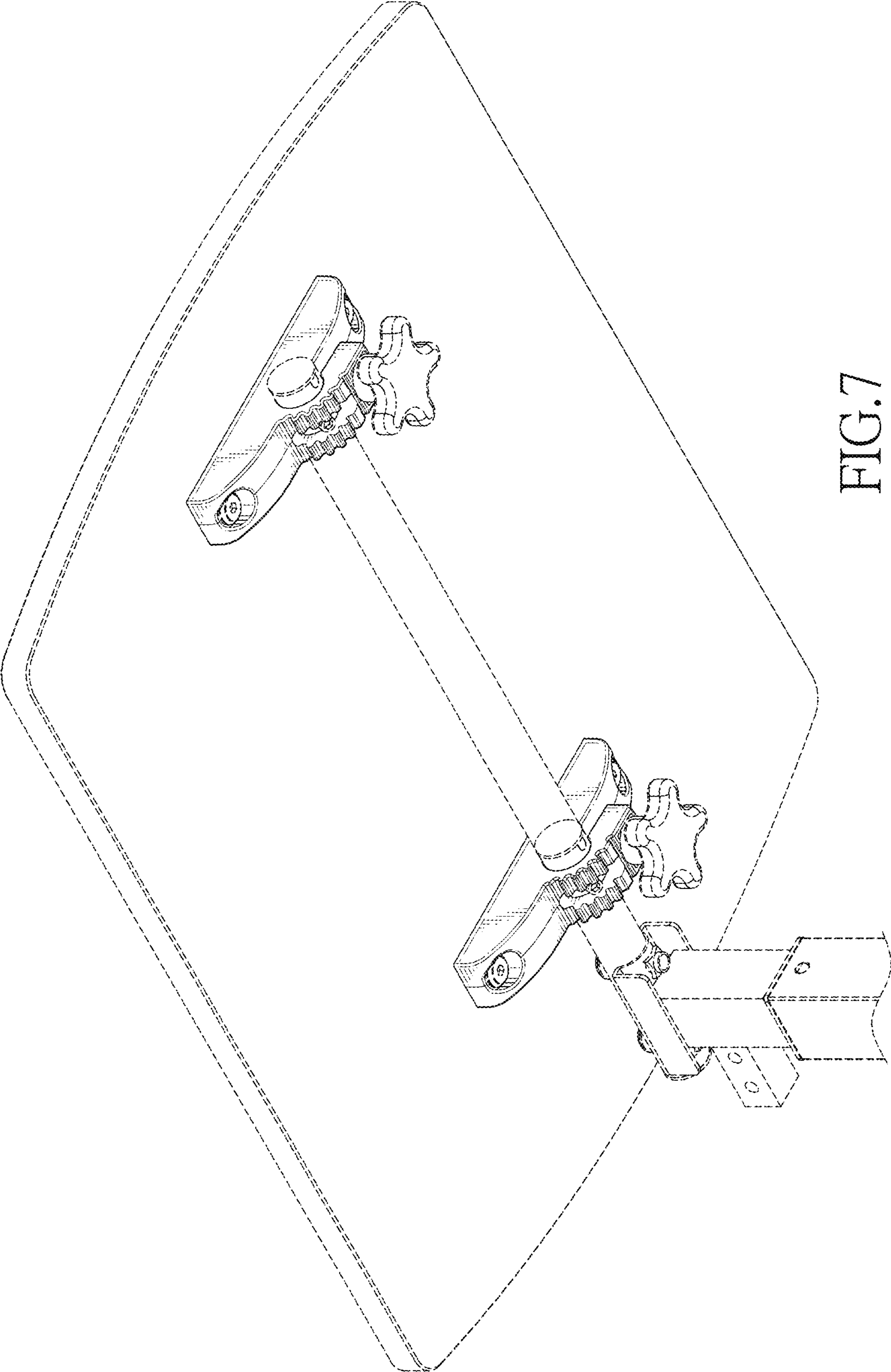


FIG.7

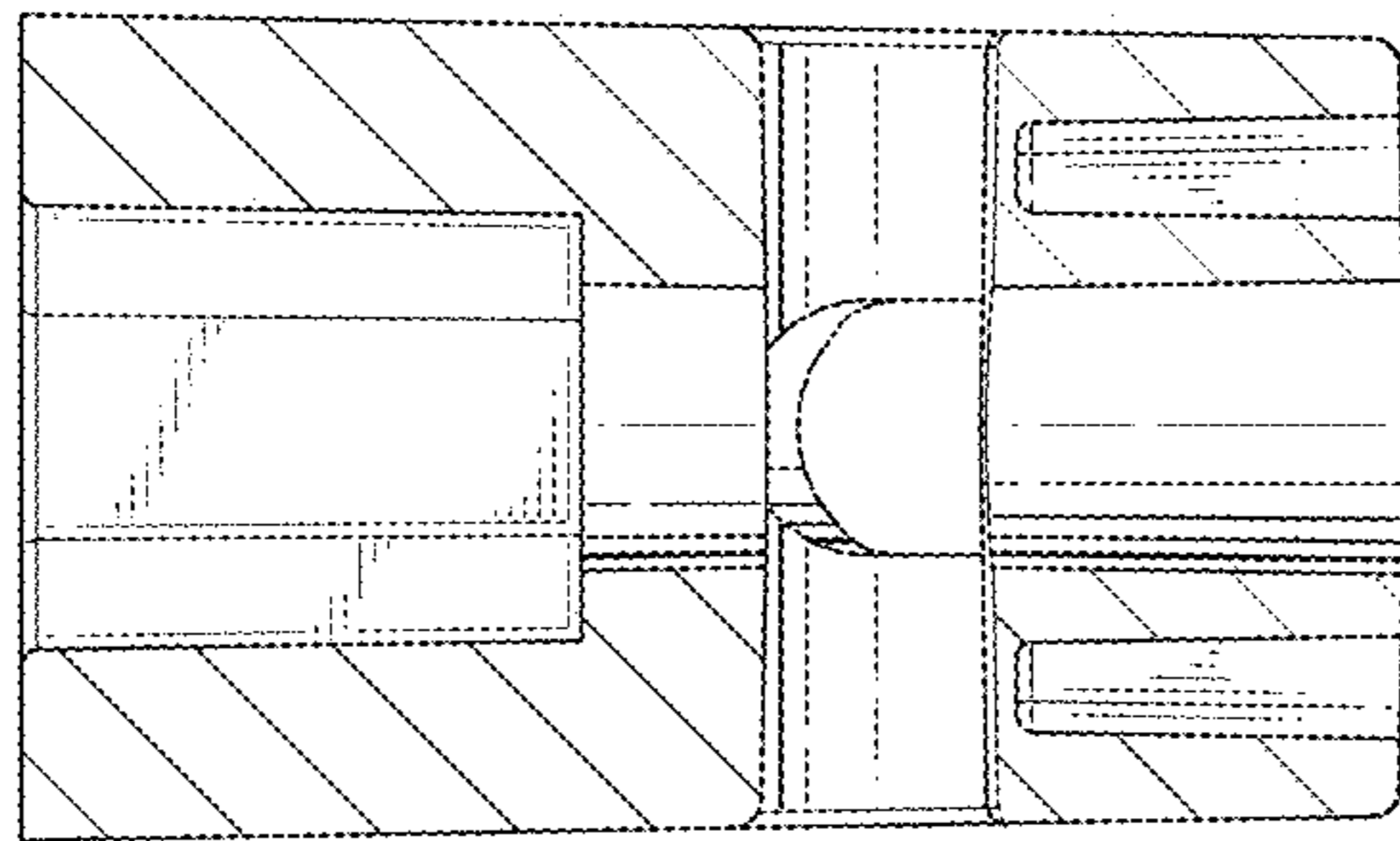


FIG. 8

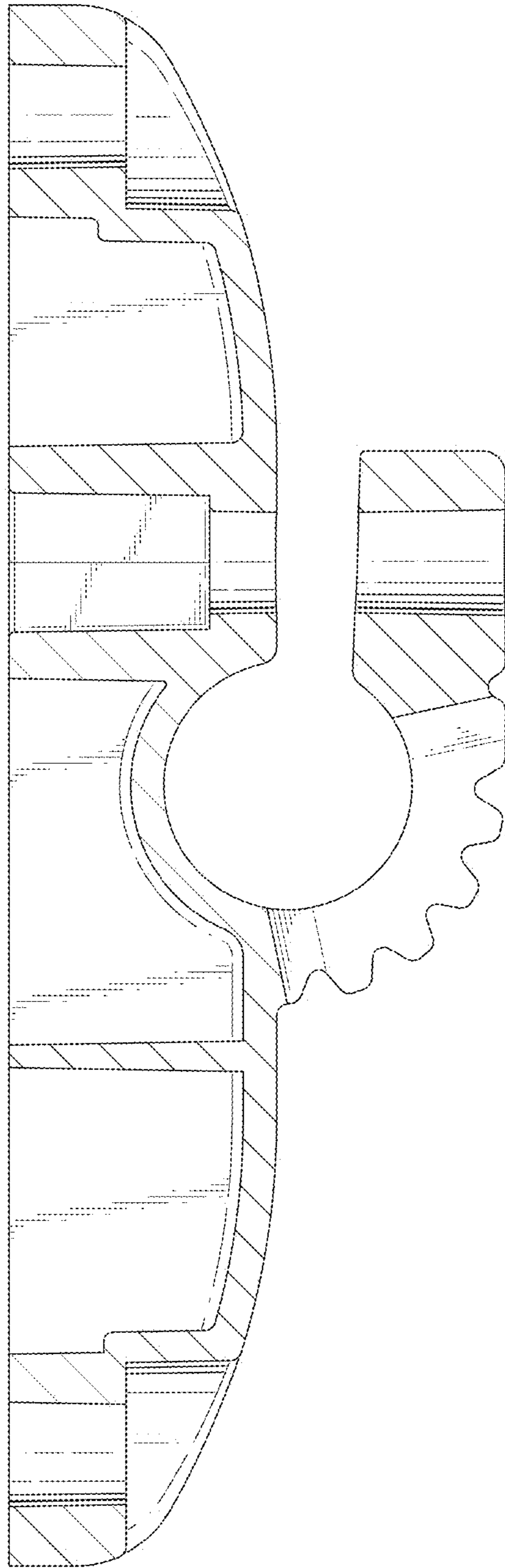


FIG. 9