



US00D887189S

(12) **United States Design Patent**
Li

(10) **Patent No.:** **US D887,189 S**
(45) **Date of Patent:** **** Jun. 16, 2020**

- (54) **COMBINED TEA TABLE WITH LOUDSPEAKER**
- (71) Applicant: **GEEKS TECH CO., LIMITED, KLN (HK)**
- (72) Inventor: **Xiaobo Li, Huizhou (CN)**
- (**) Term: **15 Years**
- (21) Appl. No.: **29/709,265**
- (22) Filed: **Oct. 12, 2019**
- (51) **LOC (12) Cl.** **06-03**
- (52) **U.S. Cl.**
USPC **D6/686; D6/692; D14/172**
- (58) **Field of Classification Search**
USPC D6/685, 686, 692, 692.1–692.6; D14/172, 209.1, 211, 215, 216
CPC .. A47B 7/00; A47B 9/00; A47B 13/00; A47B 13/02; A47B 13/04; A47B 13/06; A47B 13/08; A47B 13/10; A47B 13/12; A47B 13/16; A47B 17/00; A47B 19/00; A47B 21/00; A47B 2200/0001; A47B 2200/0011; A47B 2200/002; H04R 9/06; H04R 11/02; H04R 19/02; H04R 2203/00; H04R 2400/00
See application file for complete search history.

D758,347 S *	6/2016	Hinokio	D14/215
D769,036 S *	10/2016	Manea	D6/692.3
D782,856 S *	4/2017	Broen	D6/692.3
D788,505 S *	6/2017	Wu	D6/692.3
D799,867 S *	10/2017	Thai	A47B 7/02
				D6/692.3
D808,928 S *	1/2018	Schaal	D14/216
D828,062 S *	9/2018	Lykouria	D6/692.3
D851,971 S	6/2019	Axelsson		

* cited by examiner

Primary Examiner — Mary Ann Calabrese

(74) *Attorney, Agent, or Firm* — ZANIP

(57) **CLAIM**

The ornamental design for a combined tea table with loudspeaker, as shown and described.

DESCRIPTION

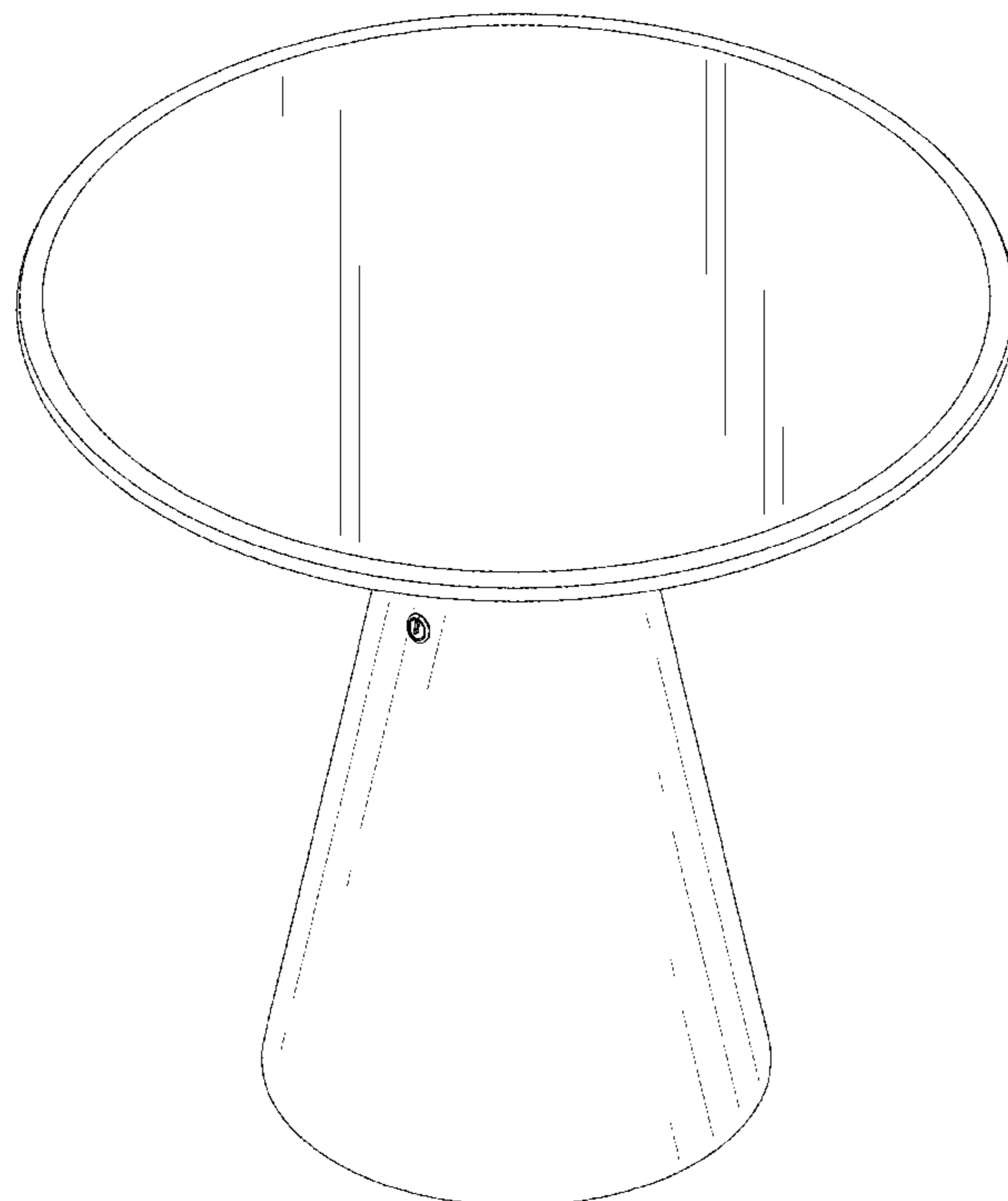
FIG. 1 is a front and top perspective view of a combined tea table with loudspeaker, showing my new design;
 FIG. 2 is a rear and bottom perspective view thereof;
 FIG. 3 is a front elevational view thereof;
 FIG. 4 is a rear elevational view thereof;
 FIG. 5 is a left side elevational view thereof;
 FIG. 6 is a right side elevational view thereof;
 FIG. 7 is a top plan view thereof;
 FIG. 8 is a bottom plan view thereof;
 FIG. 9 is an enlarged detailed view taken from the encircled area 9 indicated in FIG. 2; and,
 FIG. 10 is an enlarged detailed view taken from the encircled area 10 indicated in FIG. 3.
 The broken lines in the figures illustrate portions of the combined tea table with loudspeaker that form no part of the claimed design.

1 Claim, 10 Drawing Sheets

(56) **References Cited**

U.S. PATENT DOCUMENTS

D323,263 S *	1/1992	Blackburn	D6/686
5,353,716 A *	10/1994	Wilbert	A47B 7/02
				108/150
D613,096 S *	4/2010	Stoepker	D6/692.3



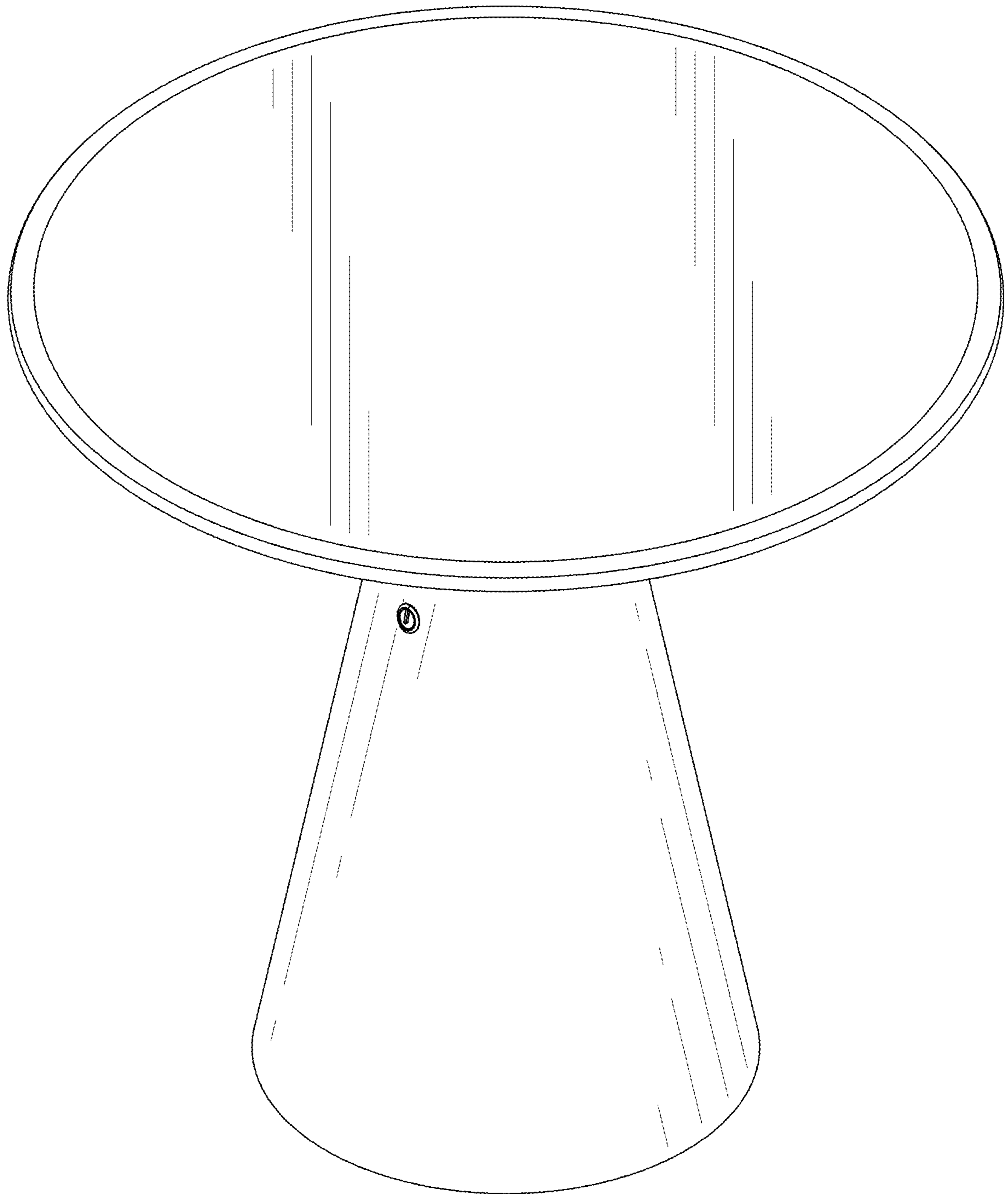


FIG. 1

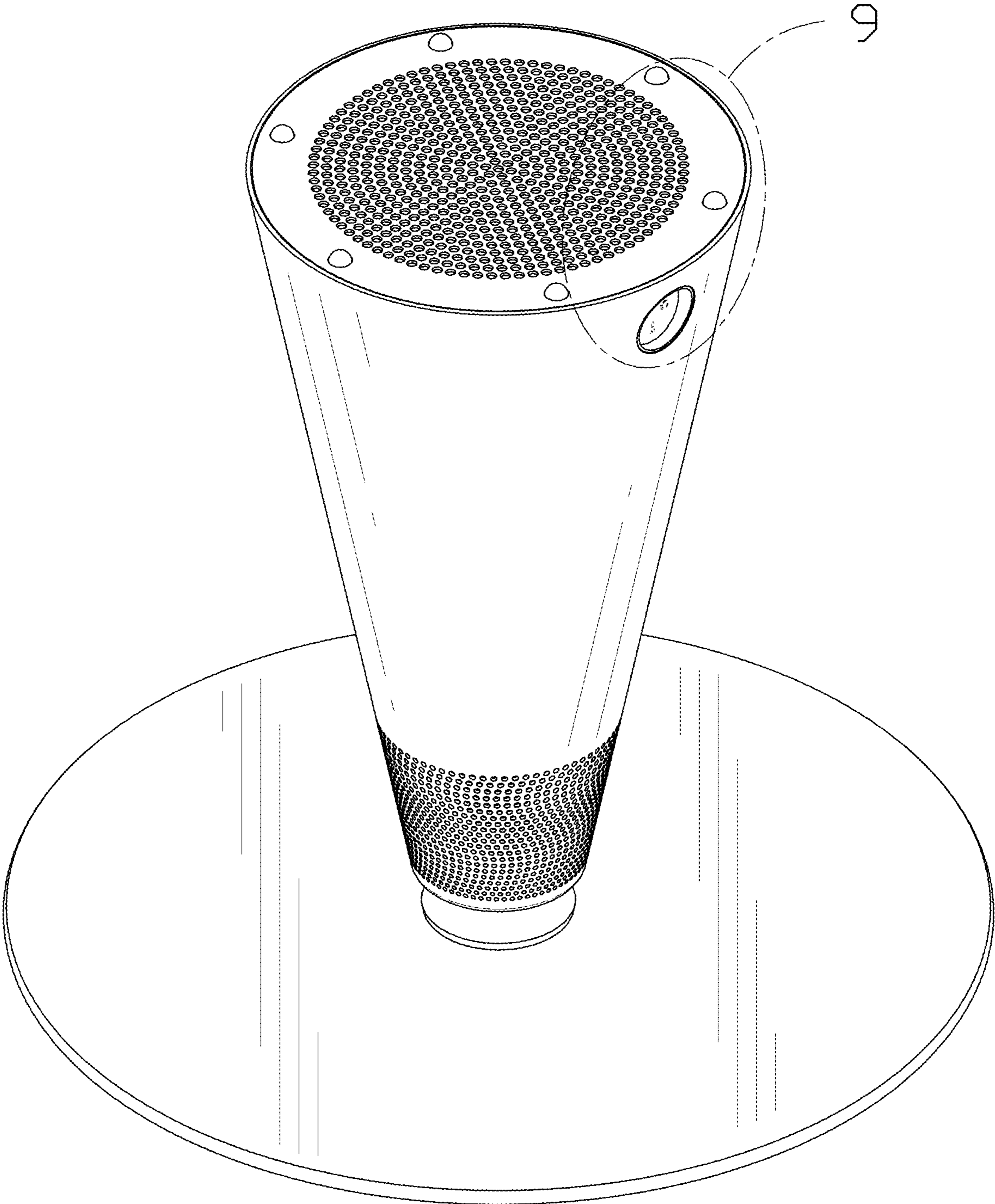


FIG. 2

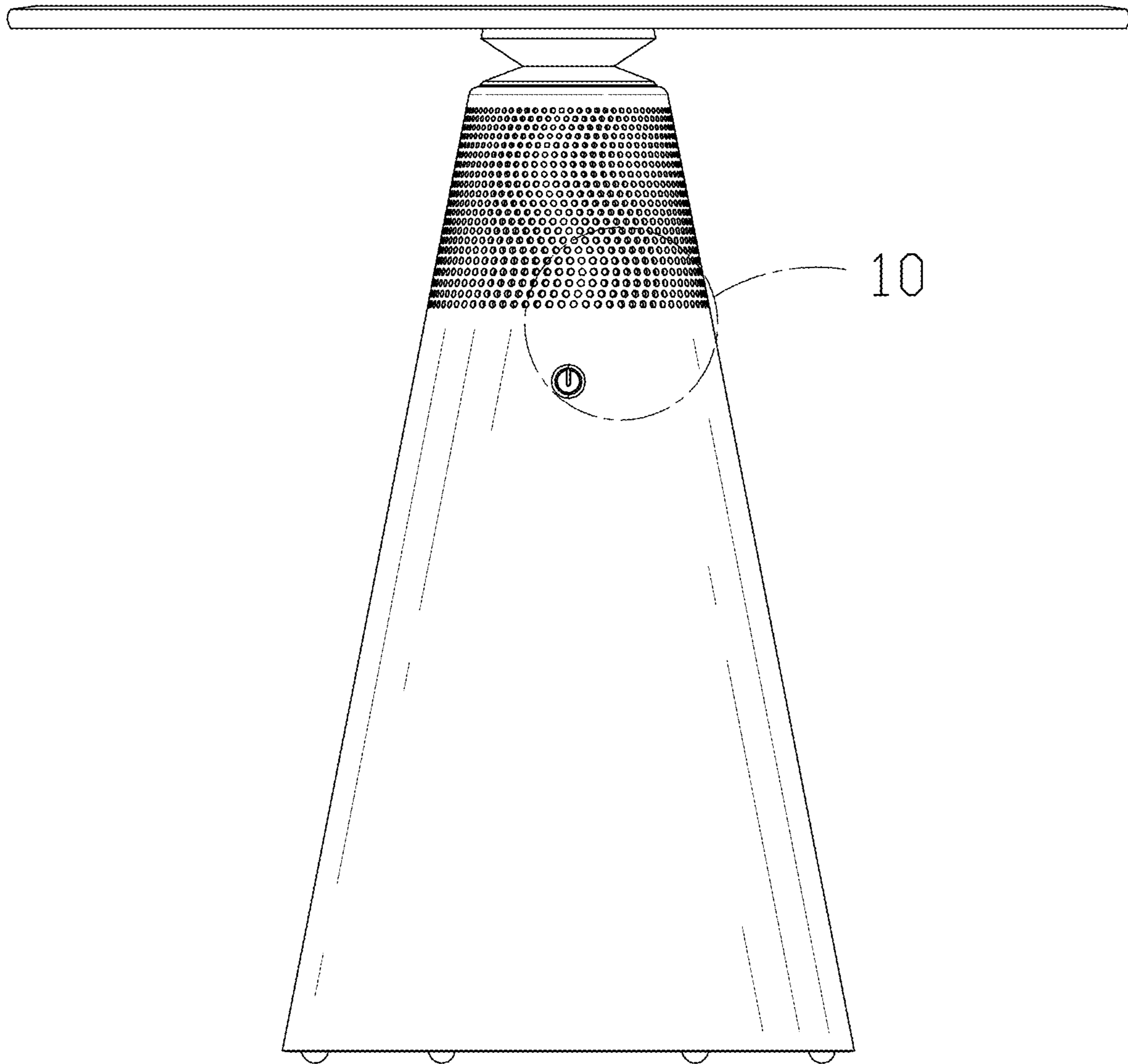


FIG. 3

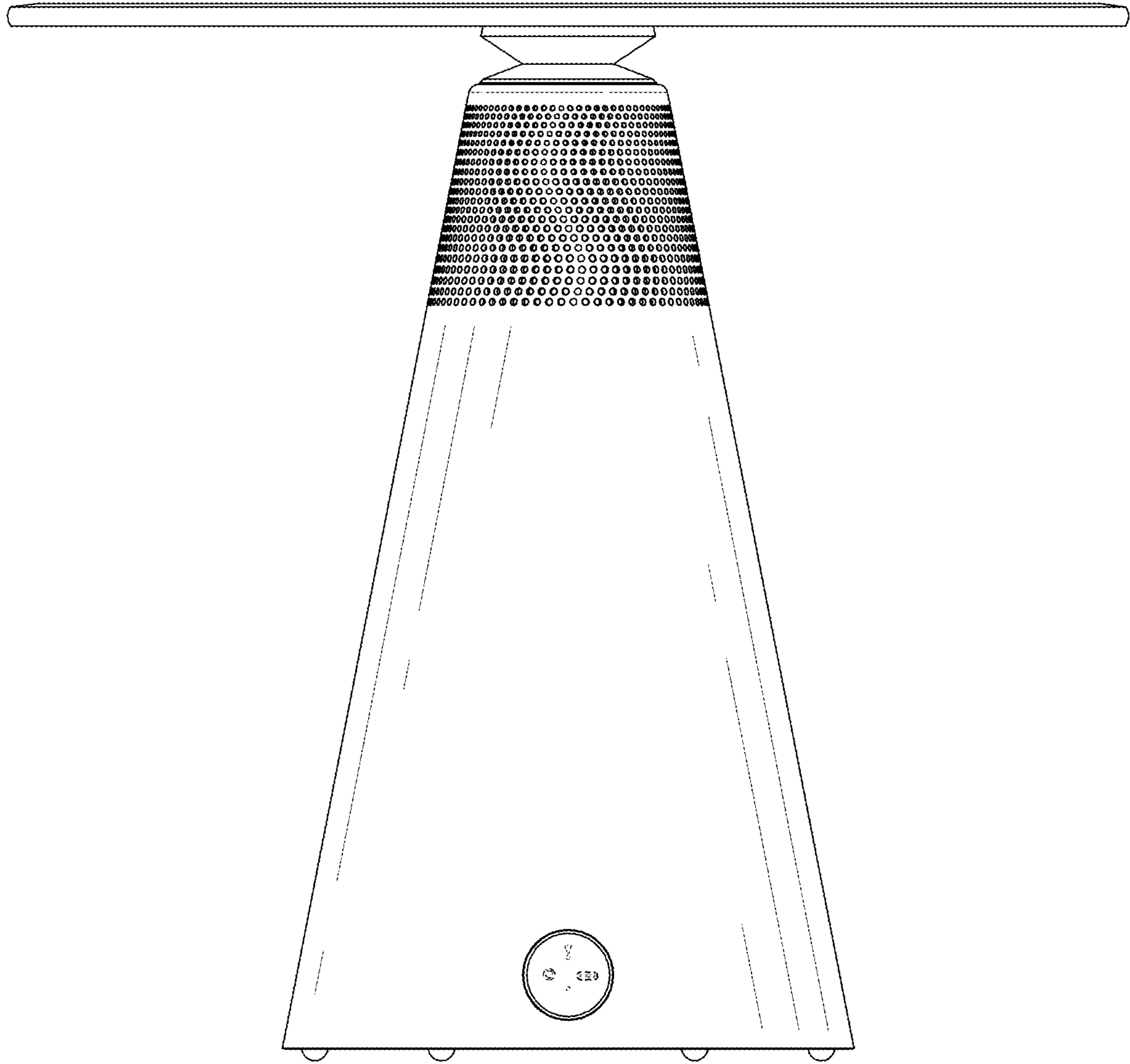


FIG. 4

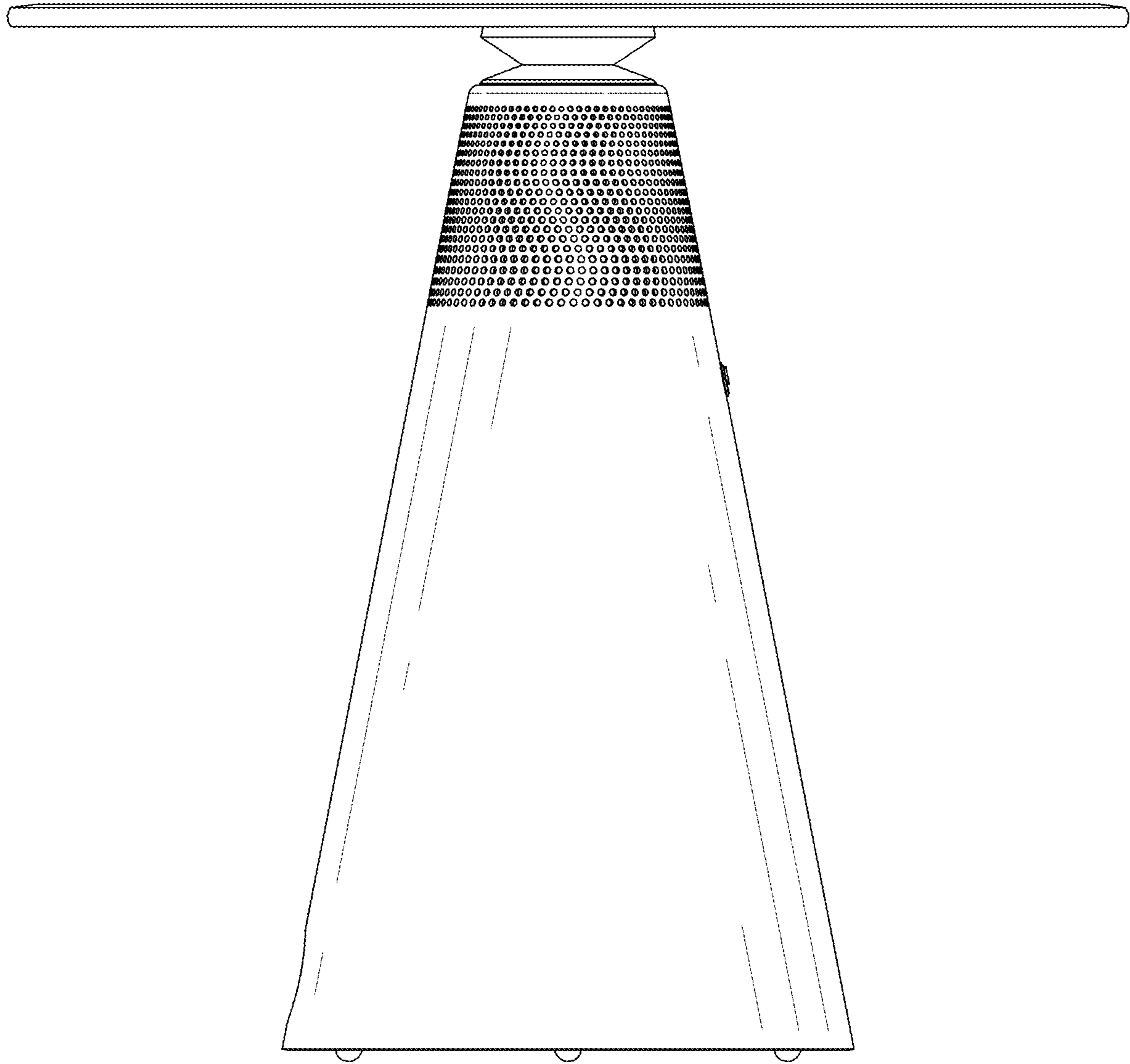


FIG. 5

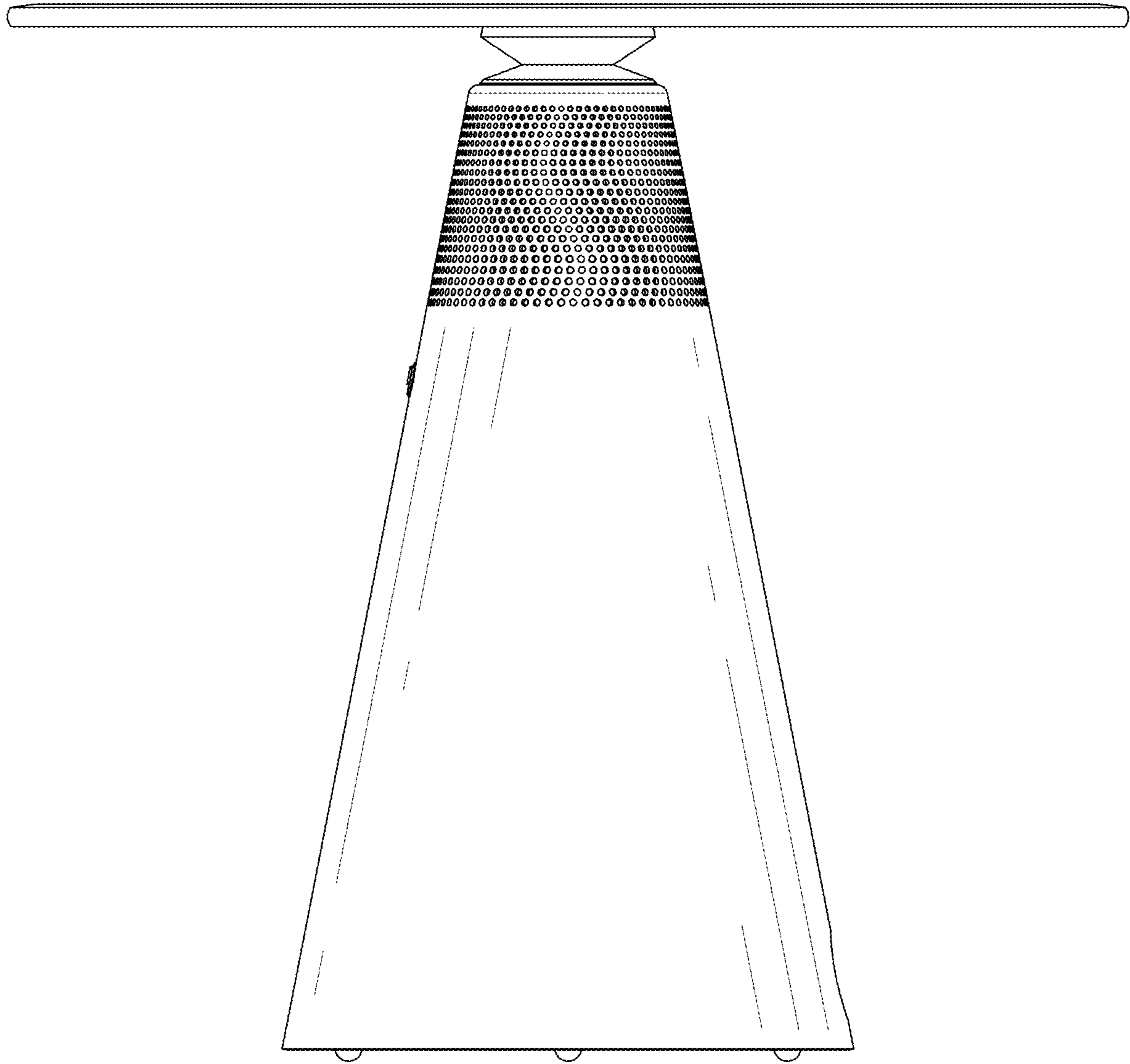


FIG. 6

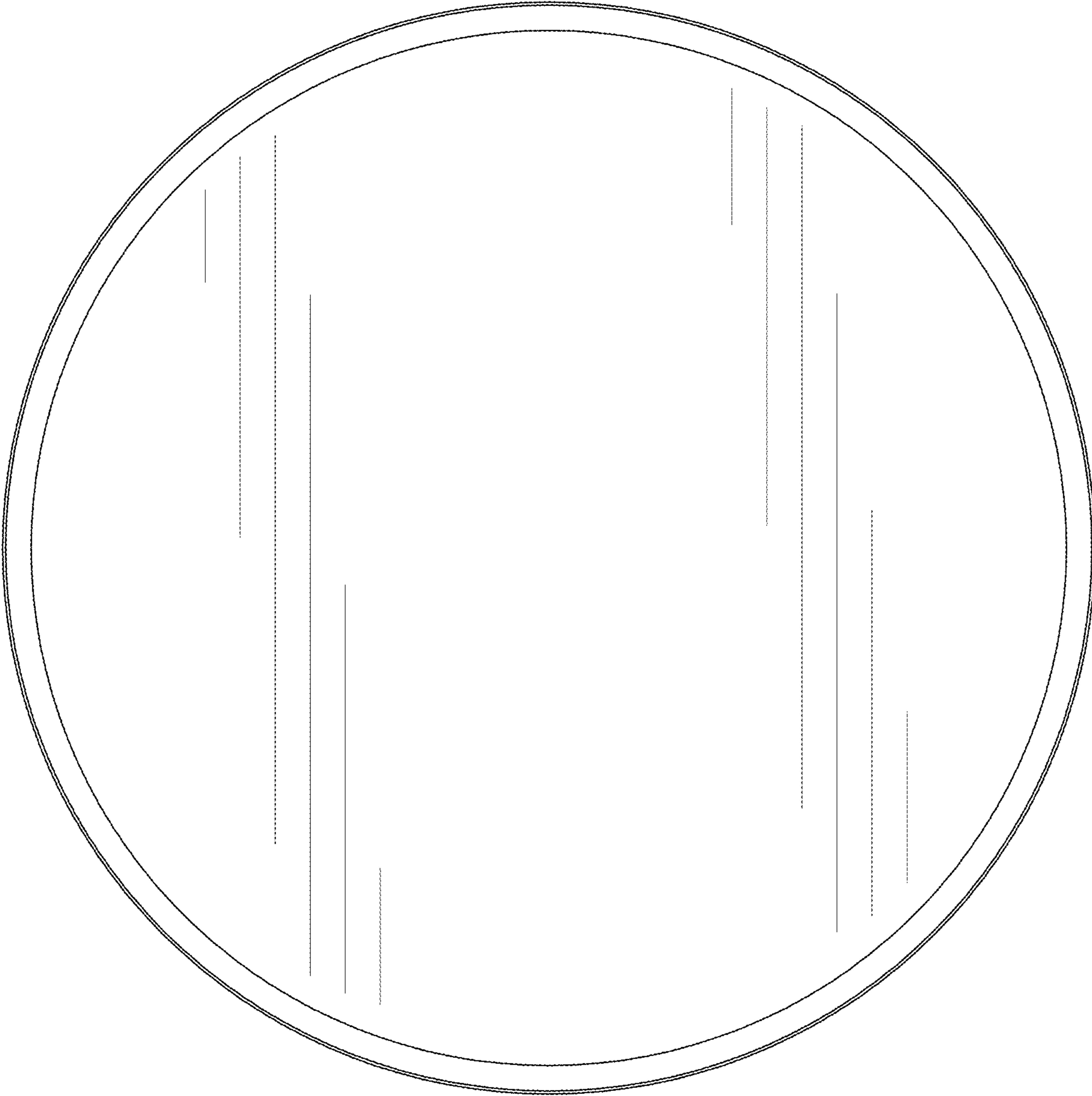


FIG. 7

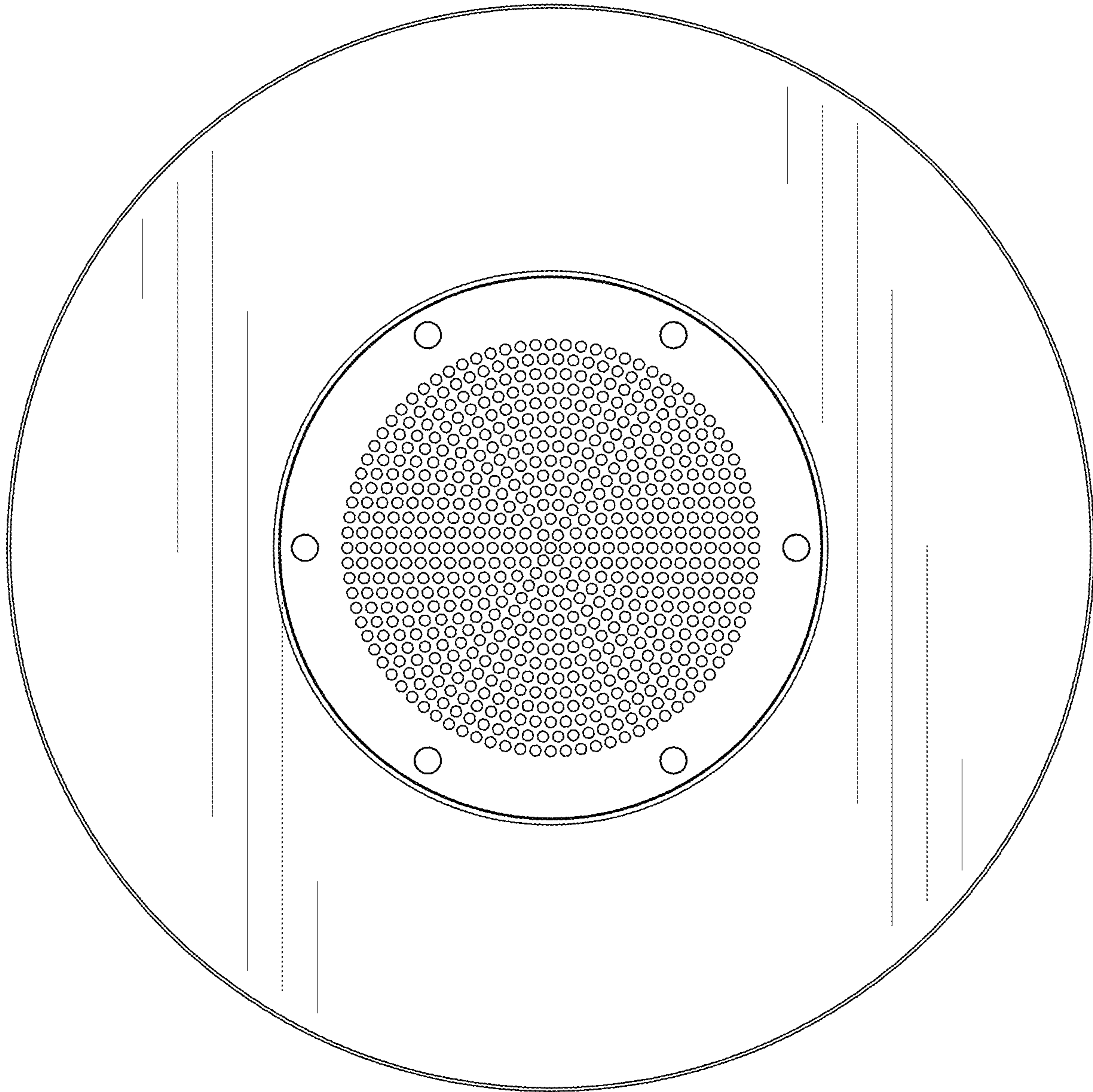


FIG. 8

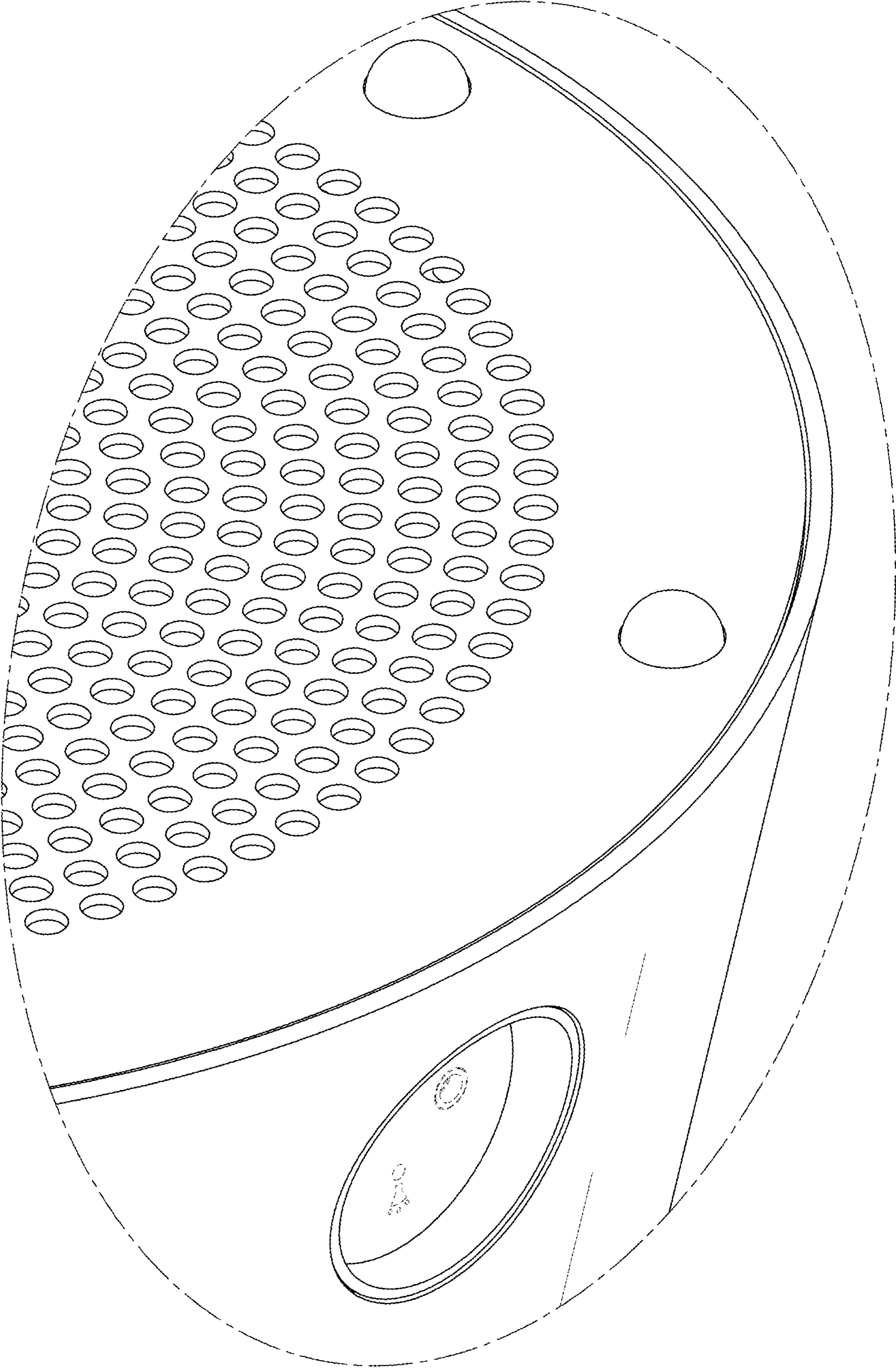


FIG. 9

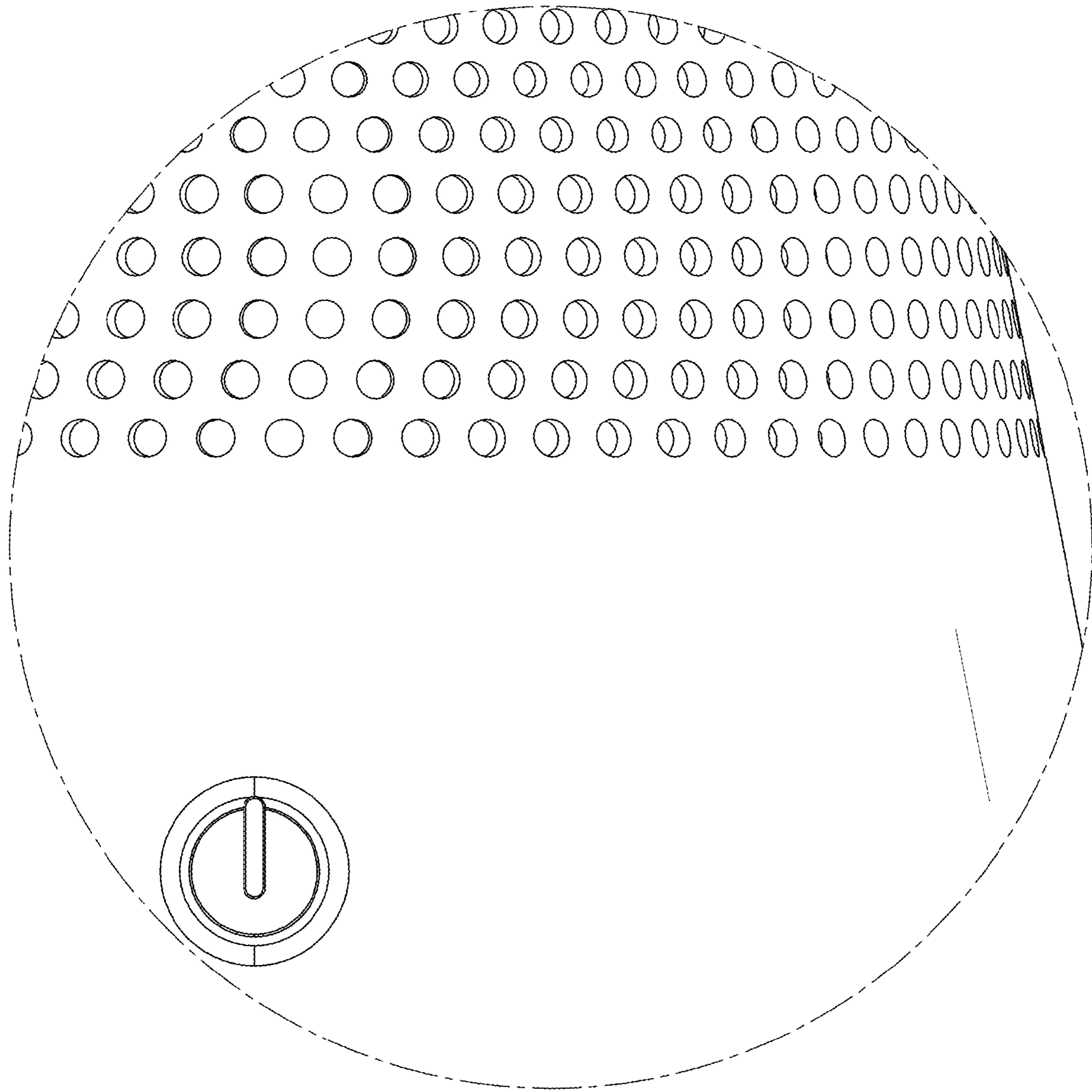


FIG. 10