



US00D887188S

(12) **United States Design Patent** (10) **Patent No.:** **US D887,188 S**
Felsenthal et al. (45) **Date of Patent:** **** Jun. 16, 2020**

(54) **WARDROBE WITH STORAGE COMPARTMENTS**

(71) Applicant: **Whitmor, Inc.**, Southaven, MS (US)

(72) Inventors: **Sandy Felsenthal**, Memphis, TN (US);
Gil Gaska, Germantown, TN (US)

(73) Assignee: **Whitmor, Inc.**, Southaven, MS (US)

(**) Term: **15 Years**

(21) Appl. No.: **29/645,693**

(22) Filed: **Apr. 27, 2018**

(51) **LOC (12) Cl.** **20-02**

(52) **U.S. Cl.**
USPC **D6/681.2**

(58) **Field of Classification Search**
USPC D6/315, 672, 681, 681.1, 681.2, 682.5
CPC .. A47G 25/06; A47G 25/0685; A47G 25/746;
A47G 25/0664; A47B 47/021; A47B
47/027; A47B 55/02; A47B 61/02; A47B
61/00; A47B 57/402; A47F 7/24
See application file for complete search history.

(56) **References Cited**

U.S. PATENT DOCUMENTS

1,661,667 A * 3/1928 Mallach A47F 7/24
135/144

D76,747 S * 10/1928 Hails-Karlebach D6/672

2,110,158 A * 3/1938 Keeler A47G 25/0678
211/182

D130,632 S * 12/1941 Millberg et al. D6/681.1

D131,907 S * 4/1942 Sarvis et al. D6/681

D142,059 S * 8/1945 Botsford et al. D6/681.1

D149,816 S * 6/1948 Ivelow et al. 248/175

2,798,618 A * 7/1957 Singer A47G 25/0664
211/204

3,499,541 A * 3/1970 Mackie A47B 45/00
211/134

3,561,609 A * 2/1971 Doherty A47F 5/103
211/182

3,705,731 A * 12/1972 Berchak B62B 3/02
280/43

5,617,962 A * 4/1997 Chen A47G 25/0664
211/204

D451,304 S * 12/2001 Felsenthal D6/678.4

D456,167 S * 4/2002 Harwanko D6/548

6,488,160 B2 * 12/2002 Wang A47F 7/19
211/195

D474,350 S * 5/2003 Sardis D6/681.1

D476,167 S * 6/2003 Klein D6/681.1

D491,742 S * 6/2004 Harwanko D6/681.1

7,077,277 B2 * 7/2006 Wang A47B 91/02
182/186.7

D546,013 S * 7/2007 Pong D32/58

7,946,434 B1 * 5/2011 Greenspon A47G 25/0685
211/195

D736,548 S * 8/2015 Hornsby D6/681.1

D749,879 S * 2/2016 Wall D6/680.3

D750,401 S * 3/2016 Ruiz D6/681

D753,940 S * 4/2016 Ruiz D6/681

(Continued)

Primary Examiner — Steven J Czyz
(74) *Attorney, Agent, or Firm* — Stites & Harbison
PLLC; Richard S. Myers, Jr.

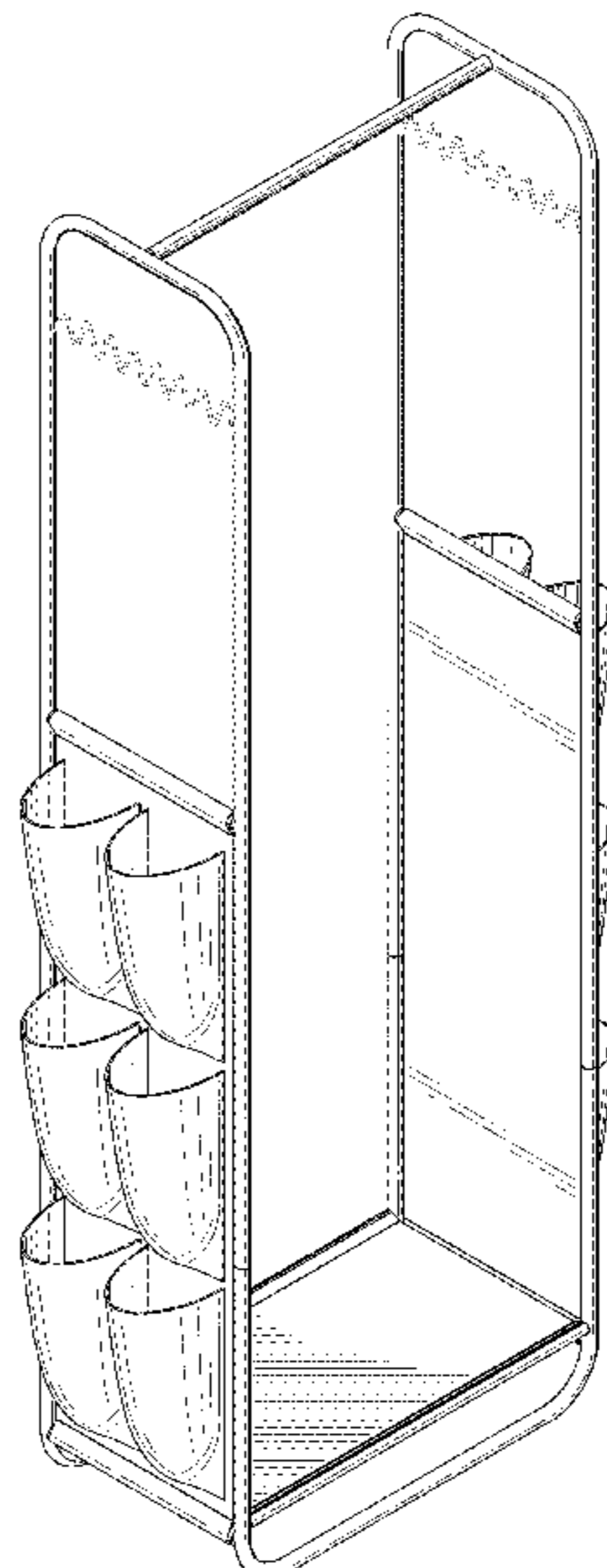
(57) **CLAIM**

The ornamental design for an wardrobe with storage compartments, as shown and described.

DESCRIPTION

FIG. 1 is a front perspective view of a wardrobe with storage compartments of the present invention; FIG. 2 is a front elevation view thereof; FIG. 3 is a side elevation view thereof; FIG. 4 is a top plan view thereof; and, FIG. 5 is a bottom plan view thereof. The broken lines depict portions of the article that form no part of the claimed design.

1 Claim, 4 Drawing Sheets



(56)

References Cited

U.S. PATENT DOCUMENTS

D777,483 S * 1/2017 Bittle D6/681
D785,381 S * 5/2017 Johnson D6/681
D790,892 S * 7/2017 Chung D6/681
D809,835 S * 2/2018 Greenspon D6/681
D819,344 S * 6/2018 Klar D6/317
D819,374 S * 6/2018 Kuehn D6/681.2
D827,342 S * 9/2018 Stukenberg D6/681
D829,473 S * 10/2018 Mical D6/681
2015/0008201 A1* 1/2015 Qiang A47F 7/24
211/85.3
2018/0160801 A1* 6/2018 Felsenthal A47F 5/137
2018/0344026 A1* 12/2018 Felsenthal A47B 43/003

* cited by examiner

FIG. 1

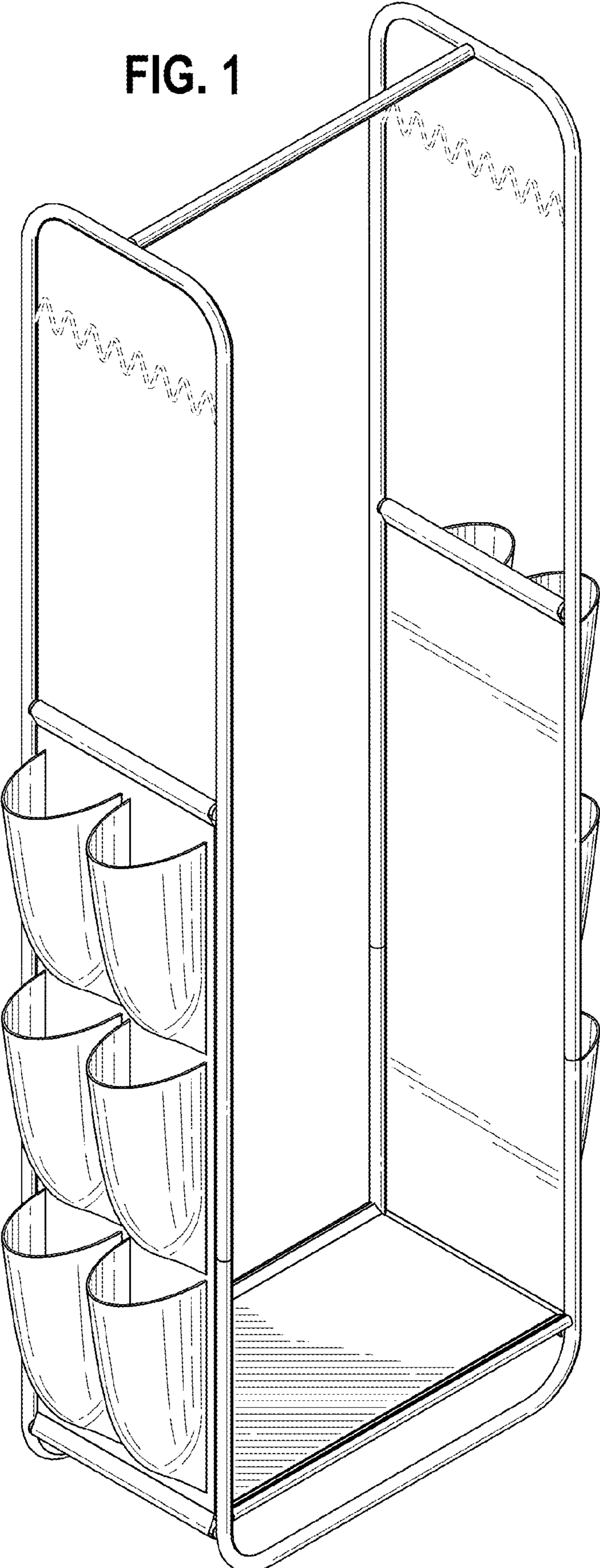


FIG. 2

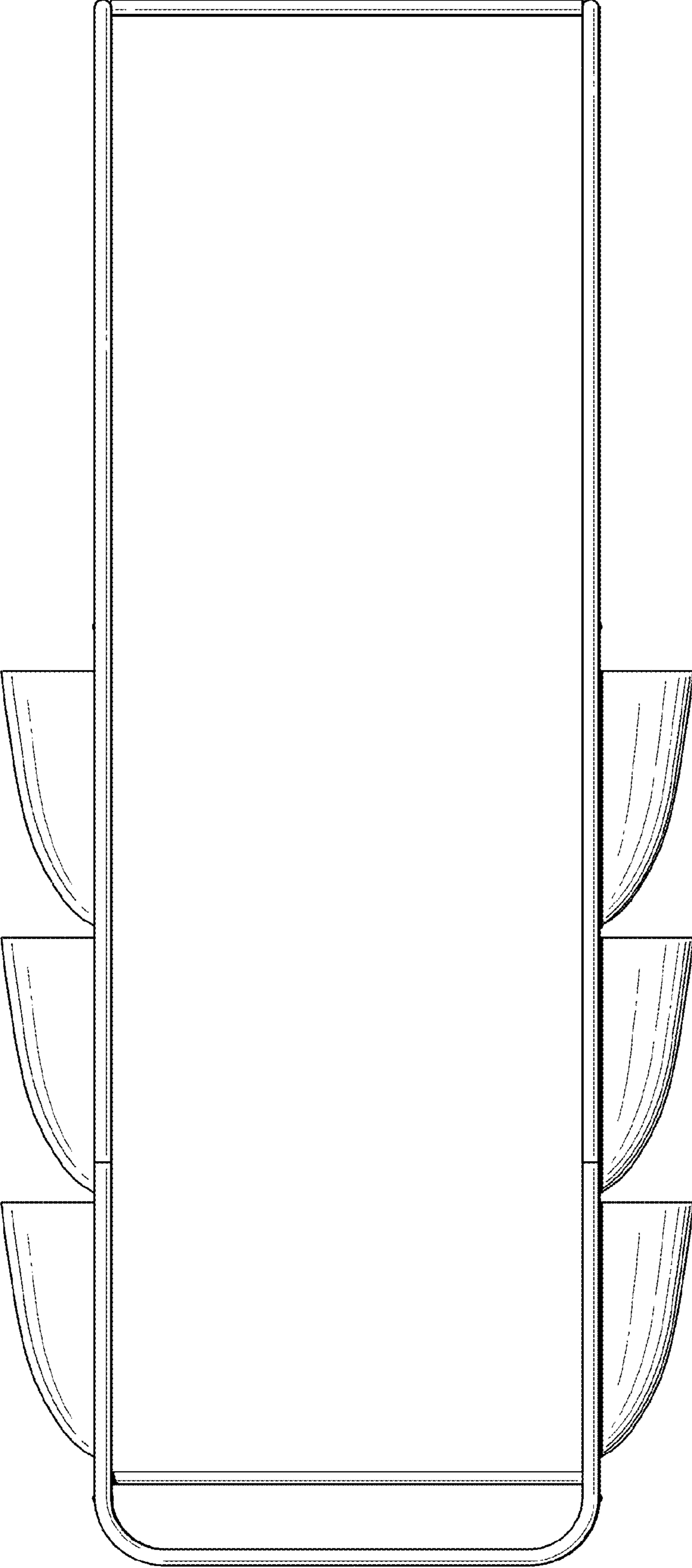


FIG. 3

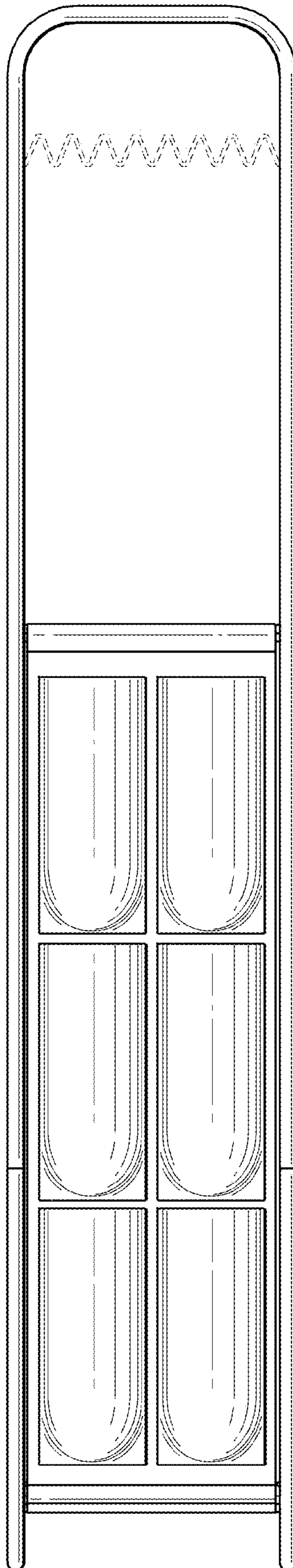


FIG. 4

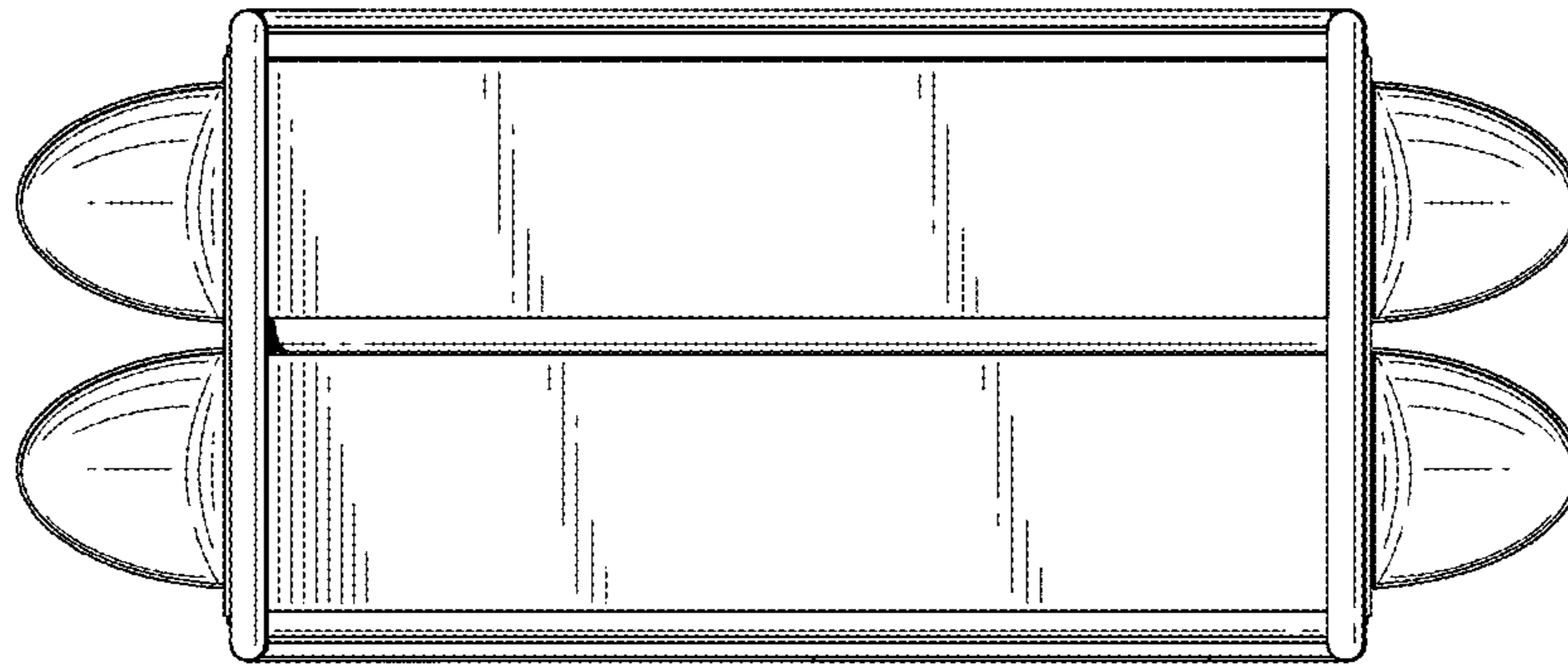


FIG. 5

