



US00D887187S

(12) **United States Design Patent**
Ravid

(10) **Patent No.:** **US D887,187 S**
(45) **Date of Patent:** **** Jun. 16, 2020**

(54) **BAR TOOLS STORAGE AND DISPLAY SHELF**

(71) Applicant: **Craftology Ltd.**, Bat Hefer (IL)

(72) Inventor: **Yuval Ravid**, Bat Hefer (IL)

(73) Assignee: **Craftology Ltd.**, Bat Hefer (IL)

(**) Term: **15 Years**

(21) Appl. No.: **29/684,355**

(22) Filed: **Mar. 20, 2019**

(51) **LOC (12) Cl.** **06-06**

(52) **U.S. Cl.**
USPC **D6/675.1**

(58) **Field of Classification Search**
USPC D6/672, 675, 675.1, 675.2, 675.3, 675.4, D6/675.5
CPC A47F 1/00; A47B 96/00; A47B 96/02; A47B 47/00; A47B 47/021
See application file for complete search history.

(56) **References Cited**

U.S. PATENT DOCUMENTS

3,154,028 A * 10/1964 Hamilton A47B 55/02 108/60
D230,165 S * 1/1974 Young et al. D30/106
3,997,139 A * 12/1976 Young A47B 37/00 248/165

D244,924 S * 7/1977 Scheibner D34/21
D255,853 S * 7/1980 Tome D6/657
D278,294 S * 4/1985 Dau D6/691.9
4,579,401 A * 4/1986 Mears A47B 43/00 312/258
D325,138 S * 4/1992 Levin D6/675.1
D436,466 S * 1/2001 Luong D6/675.1
D455,916 S * 4/2002 Fluhner D6/675.1
D545,506 S * 6/2007 Wang D30/106
D821,788 S * 7/2018 Velez D6/687
D855,358 S * 8/2019 Adler D6/644
D858,151 S * 9/2019 Li D6/675.1

* cited by examiner

Primary Examiner — Kelley A Donnelly

(74) *Attorney, Agent, or Firm* — Nathan & Associates;
Menachem Nathan

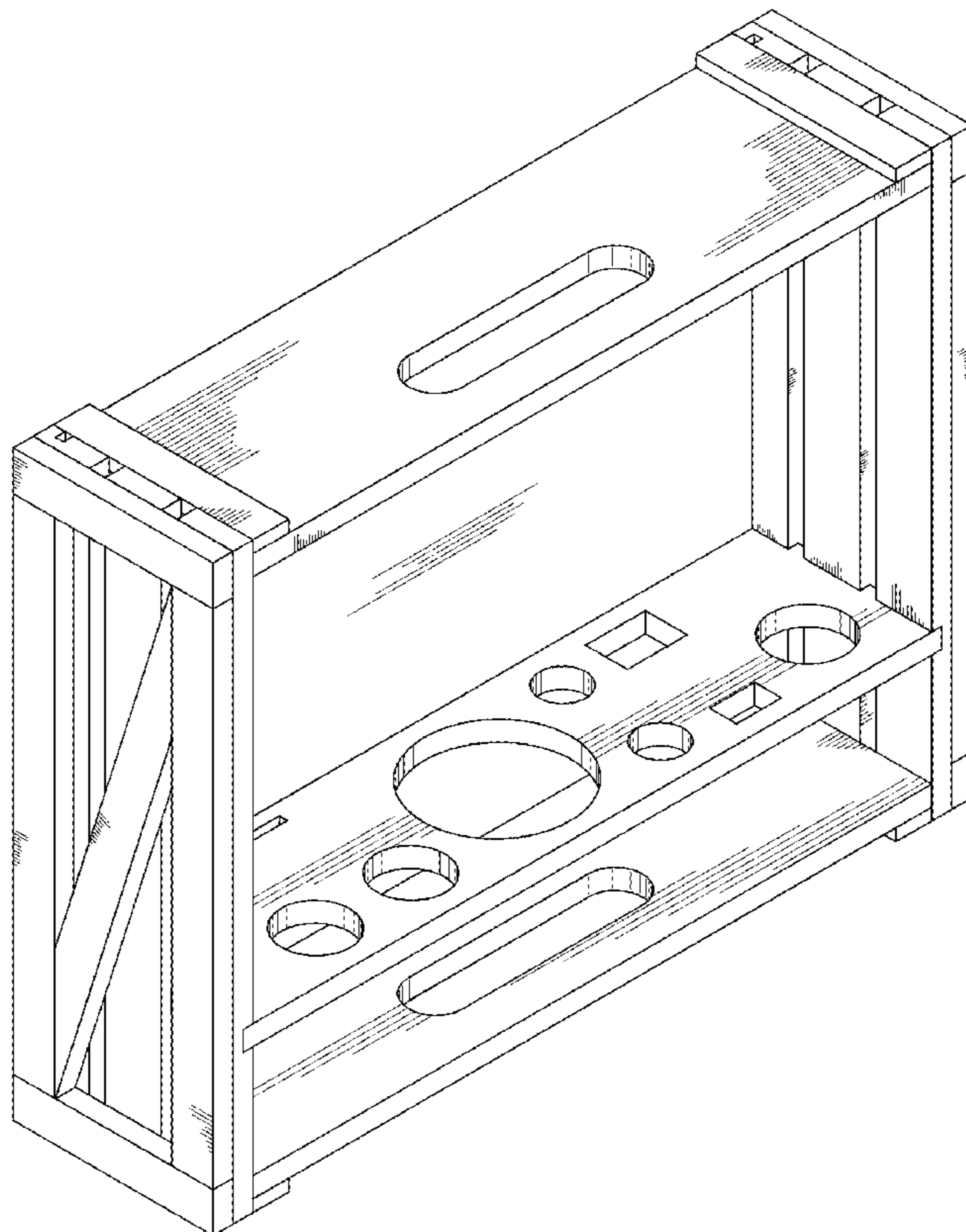
(57) **CLAIM**

I claim the ornamental design for a bar tools storage and display shelf, substantially as shown and described.

DESCRIPTION

FIG. 1 is a perspective view of a bar tools storage and display shelf in accordance with our new design;
FIG. 2 is a perspective view thereof;
FIG. 3 is a front view thereof;
FIG. 4 is a back view thereof;
FIG. 5 is a side view thereof;
FIG. 6 is a side view thereof;
FIG. 7 is a top view thereof; and,
FIG. 8 is a bottom view thereof.

1 Claim, 8 Drawing Sheets



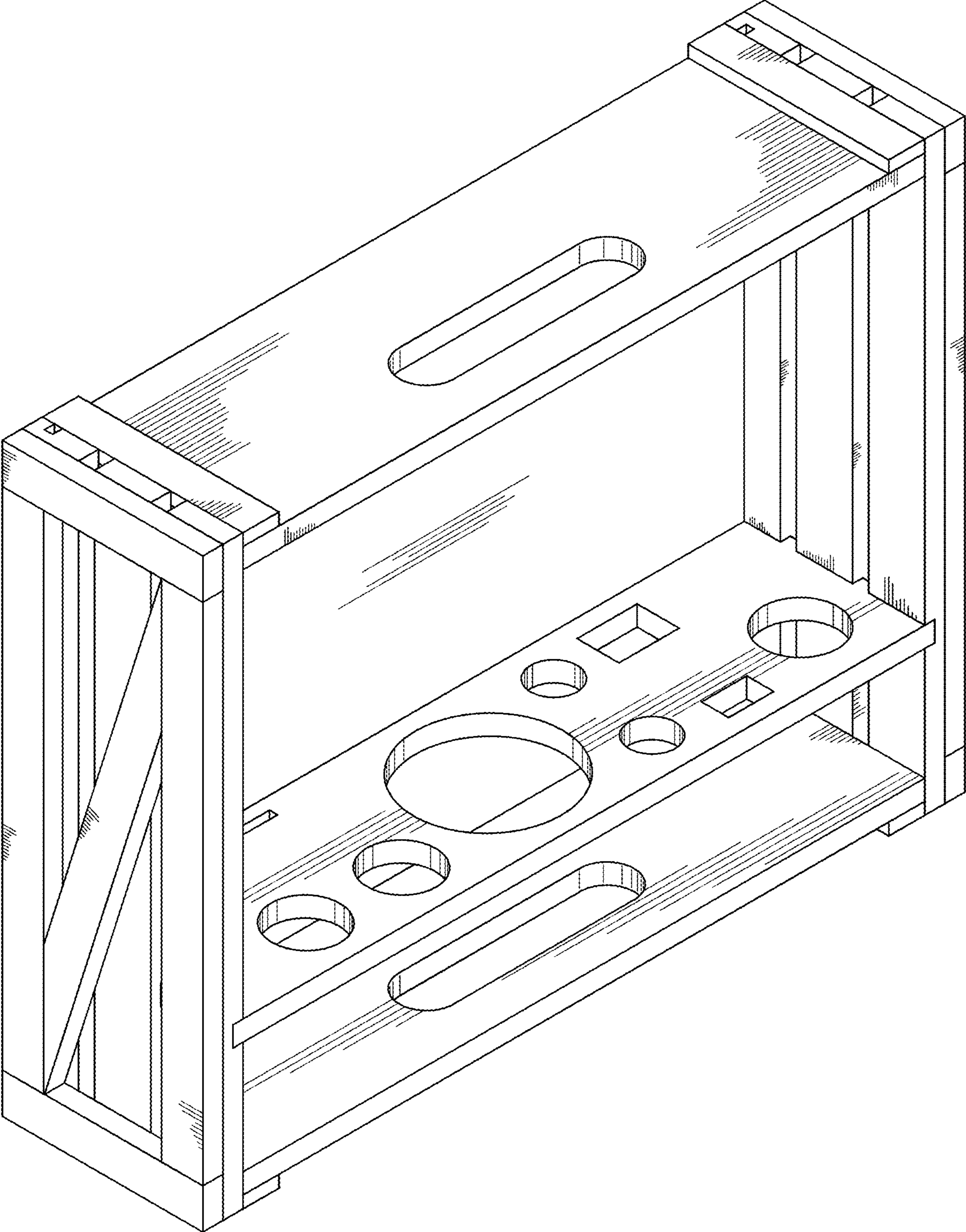


Fig. 1

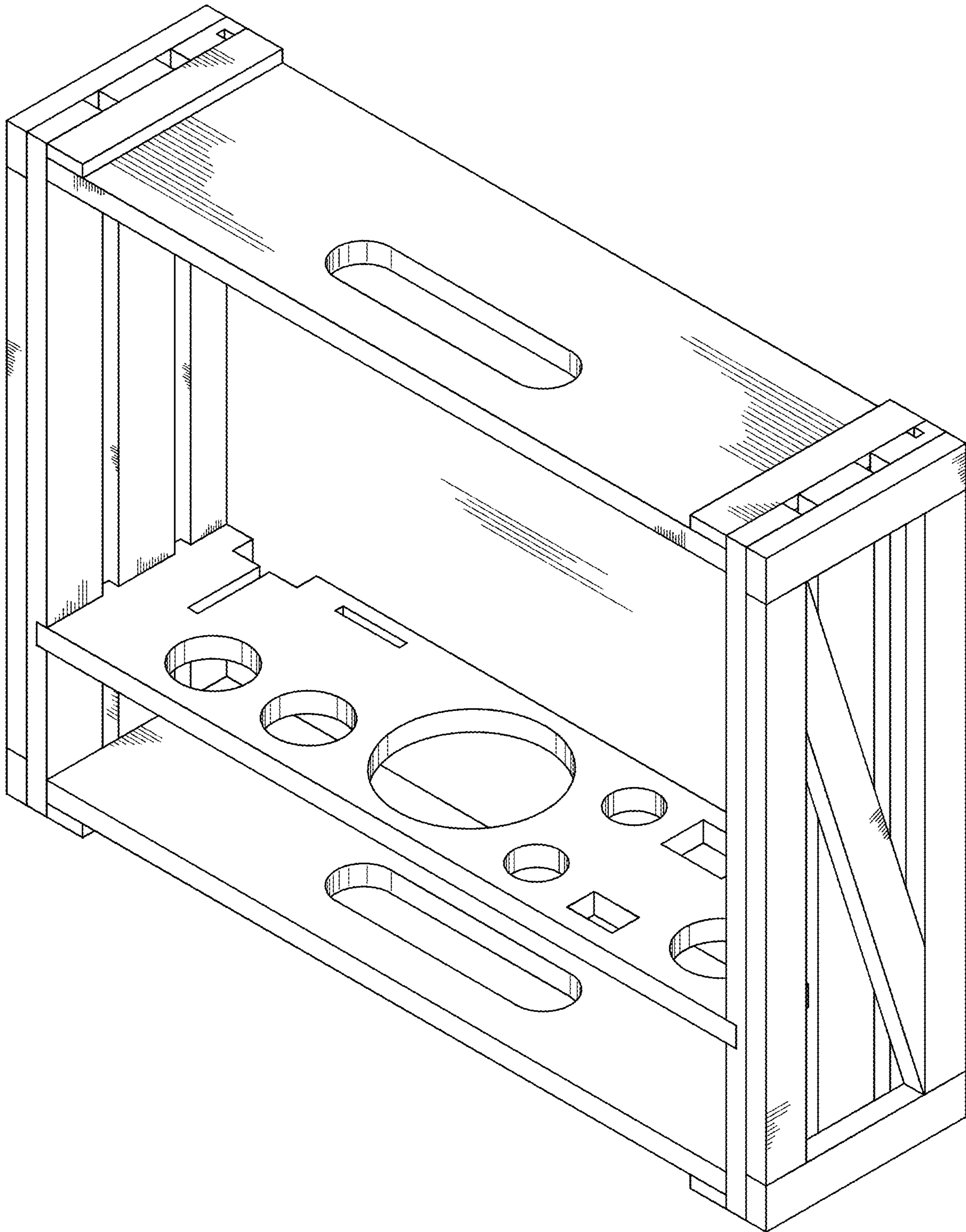


Fig. 2

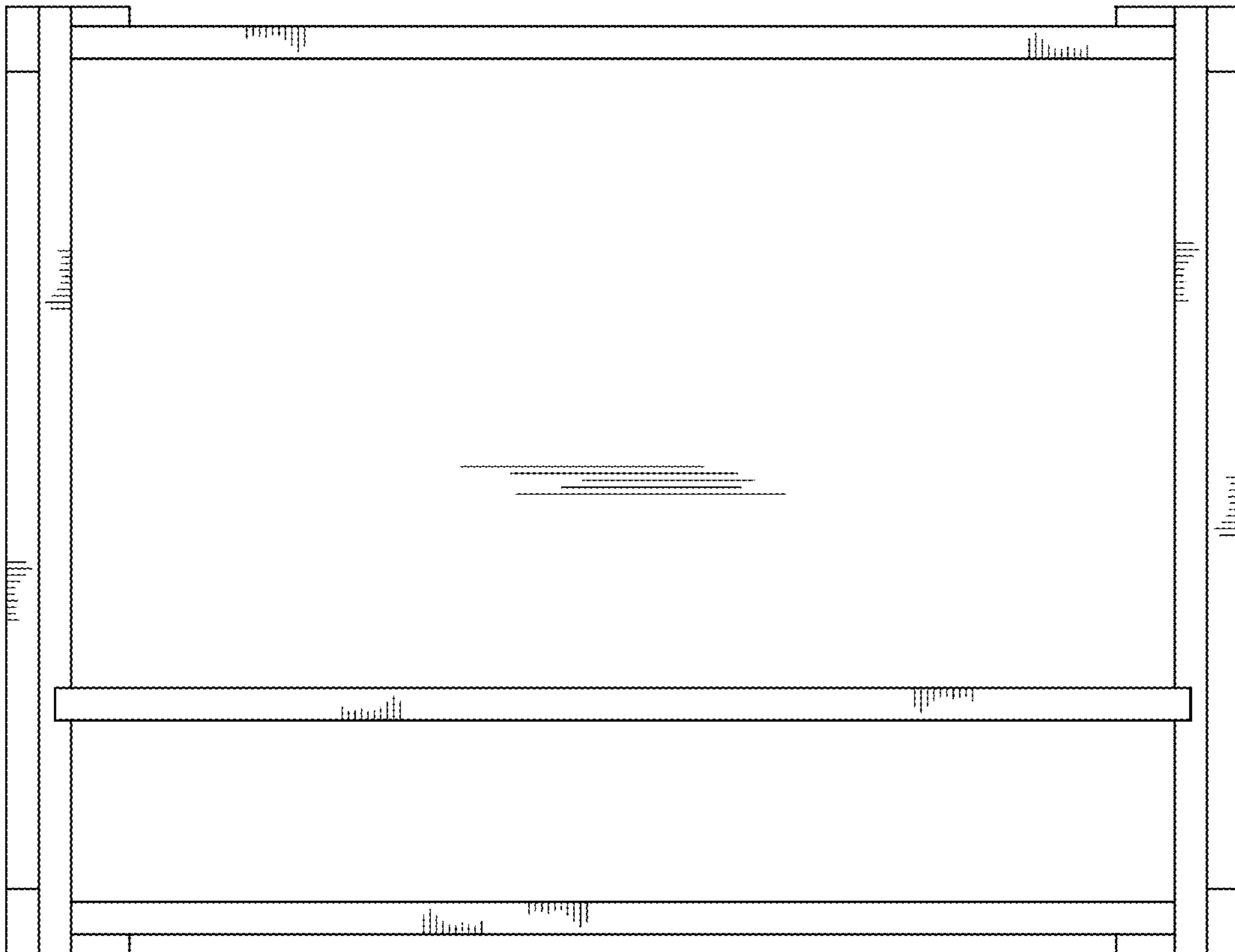


Fig. 3

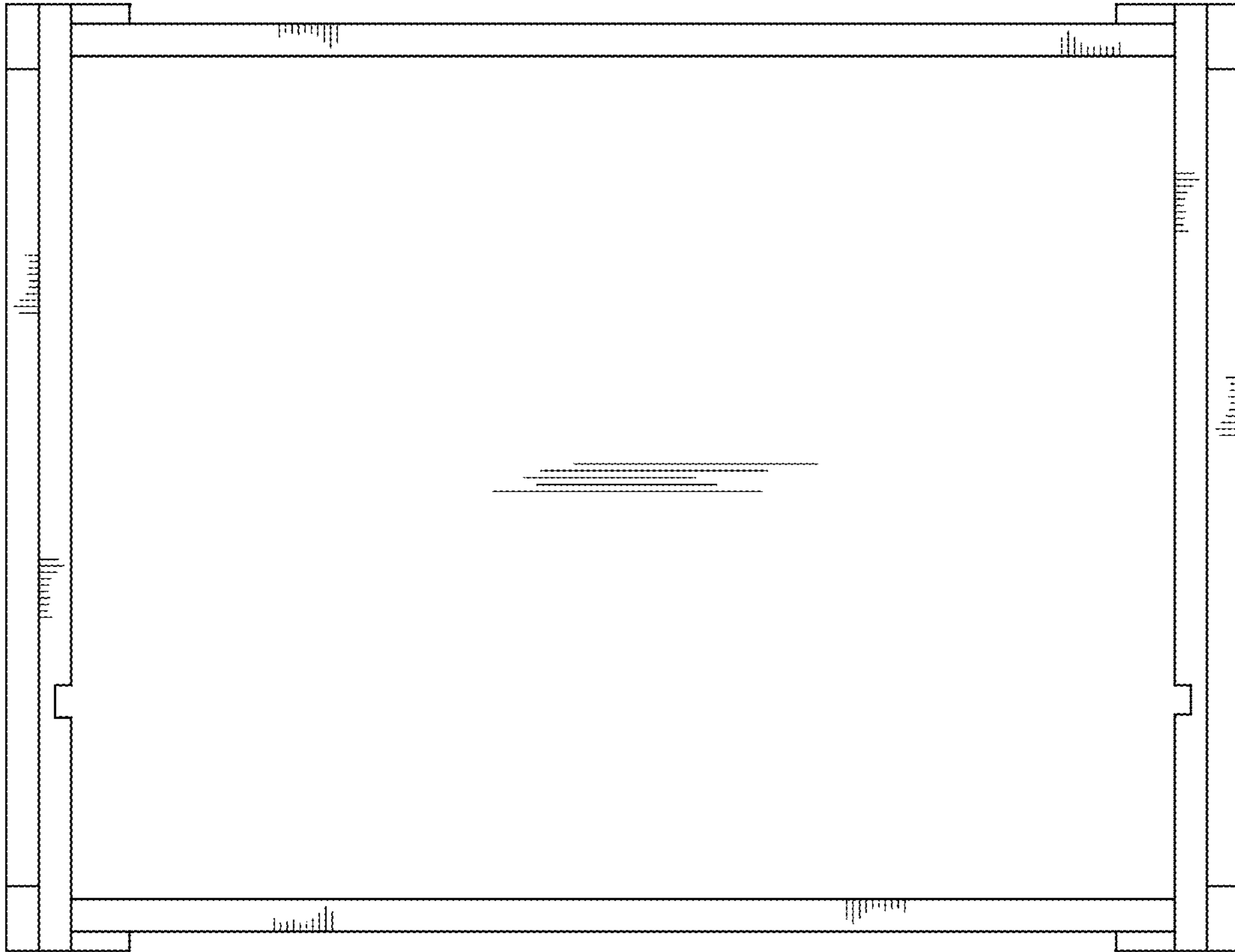


Fig. 4

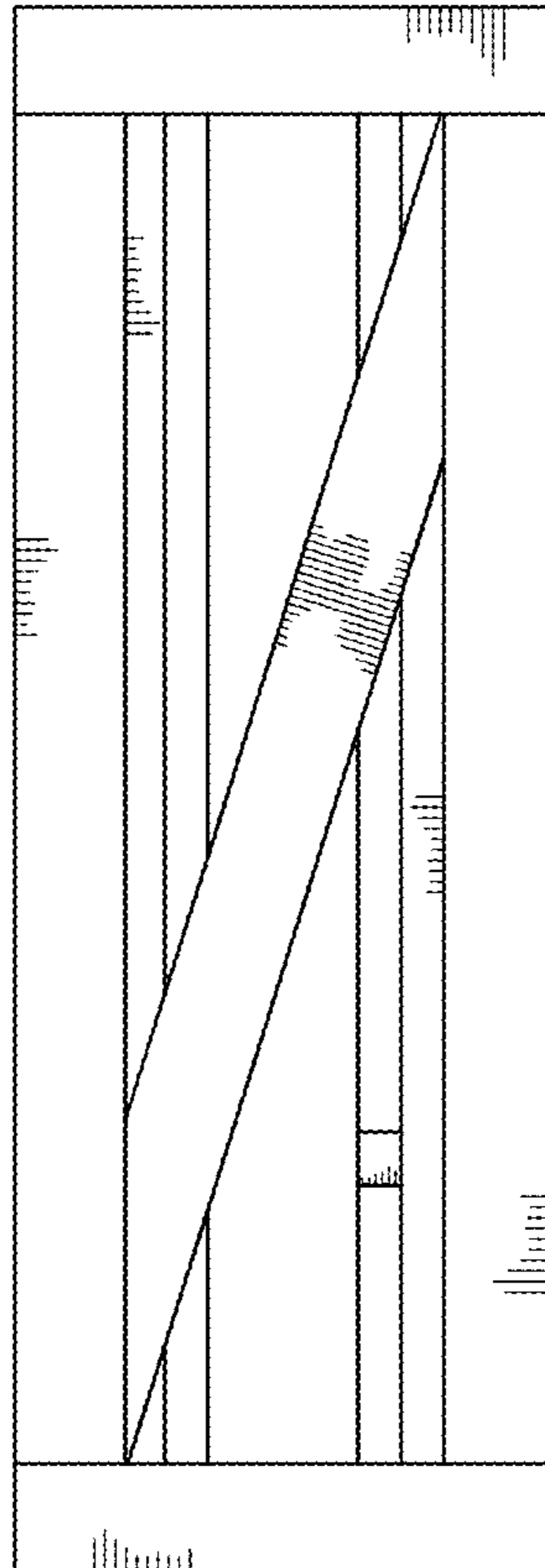


Fig. 5

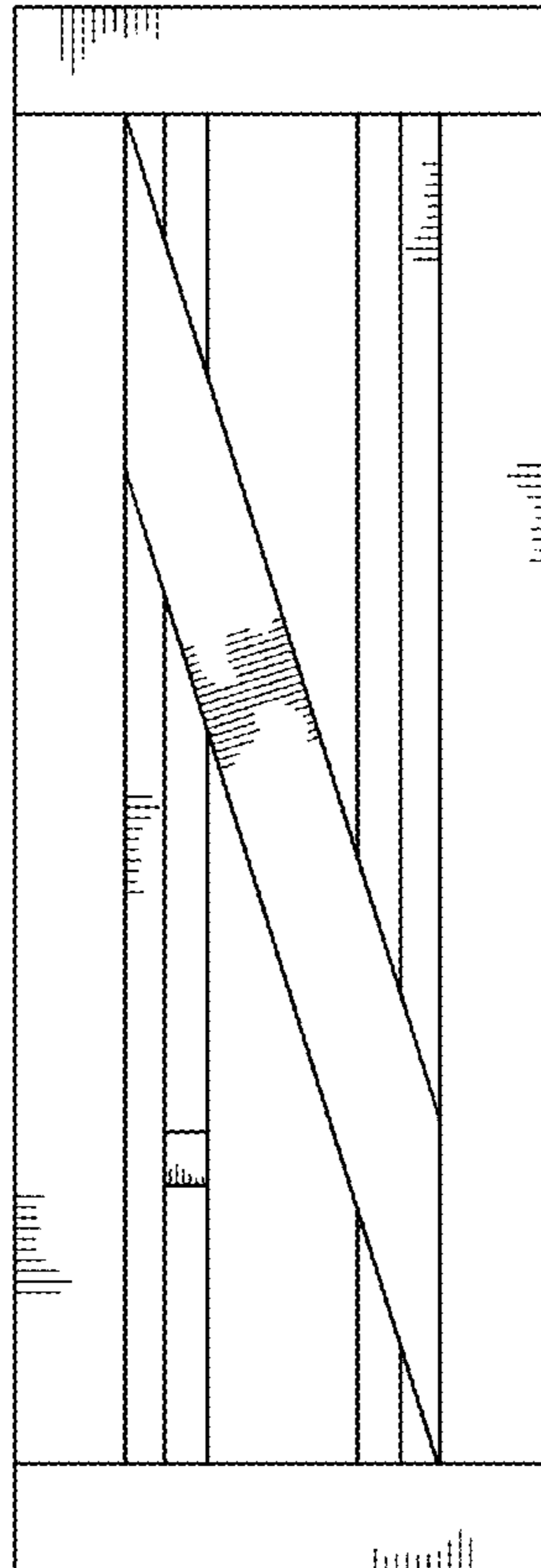


Fig. 6

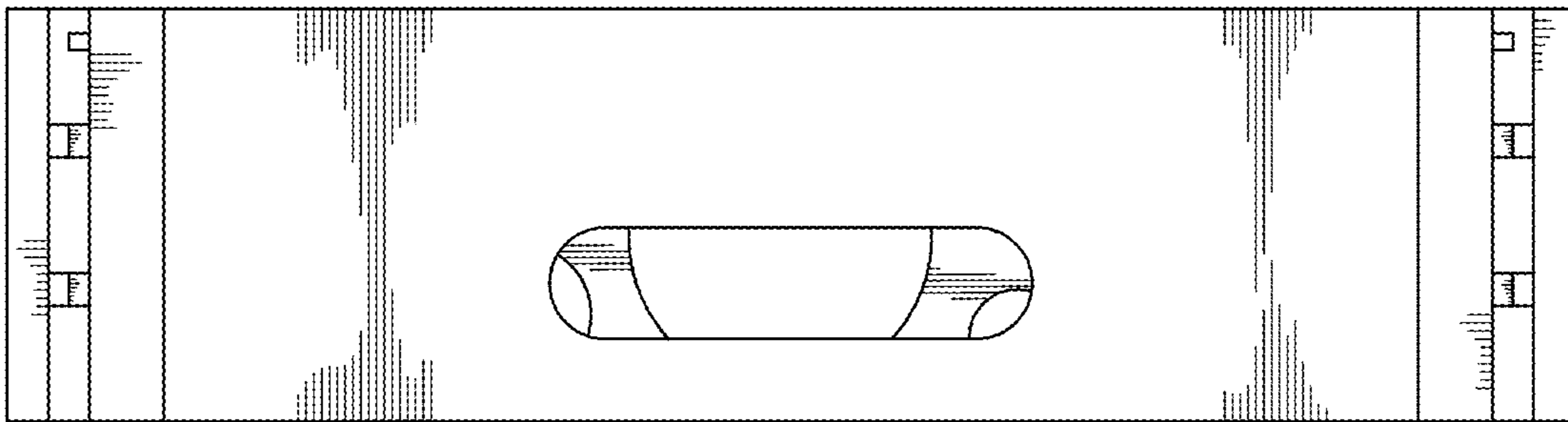


Fig. 7

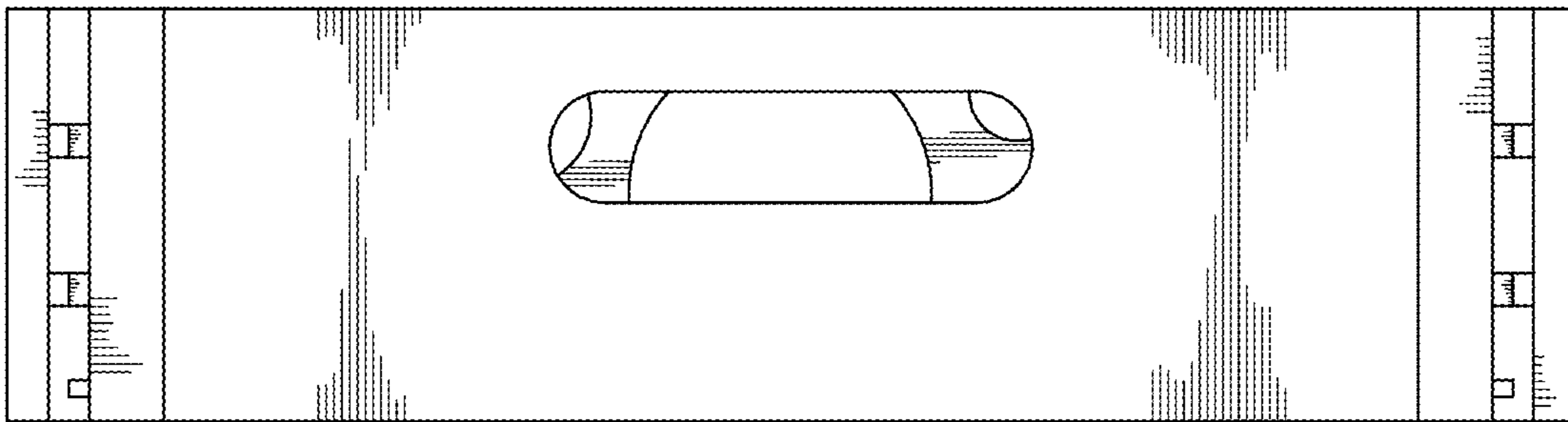


Fig. 8