



US00D887185S

(12) **United States Design Patent** (10) **Patent No.:** **US D887,185 S**
Brugger et al. (45) **Date of Patent:** **** Jun. 16, 2020**

(54) **RETAIL FIXTURE**
(71) Applicant: **Apple Inc.**, Cupertino, CA (US)
(72) Inventors: **Alice Marlin Brugger**, San Francisco, CA (US); **Manuel DeJesus**, San Francisco, CA (US); **Joshua Robert Edwards**, Santa Cruz, CA (US); **Jean-Marc Gady**, Los Altos, CA (US); **Wesley Bryan Hamm**, San Francisco, CA (US); **Russell John Kaaihue Heirakuji**, Cupertino, CA (US); **Allison Inouye**, San Francisco, CA (US); **Moritz Wilsberg**, Menlo Park, CA (US)

3,408,128 A 10/1968 Kump
D212,886 S 12/1968 Gordon
D218,325 S 8/1970 Sherman
3,721,413 A 3/1973 Robinson
3,740,881 A 6/1973 Finger
D232,289 S 8/1974 Moretine
4,116,509 A 9/1978 Smith
D250,868 S 1/1979 Ornatek
4,144,664 A 3/1979 De Korte
(Continued)

FOREIGN PATENT DOCUMENTS

EM 002886234-0011 2/2016
EM 002992065-0002 2/2016
WO DM-082406 10/2013

OTHER PUBLICATIONS

Japanese Patent Office document HB23000547, Nachrichten, Feb. 2011 (2 Pages).
Japanese Patent Office document HC14036518 (2 Pages).

Primary Examiner — Kelley A Donnelly
(74) *Attorney, Agent, or Firm* — Sterne, Kessler, Goldstein & Fox P.L.L.C.

(73) Assignee: **Apple Inc.**, Cupertino, CA (US)
(**) Term: **15 Years**
(21) Appl. No.: **29/655,973**
(22) Filed: **Jul. 9, 2018**
(51) **LOC (12) Cl.** **06-06**
(52) **U.S. Cl.**
USPC **D6/675**
(58) **Field of Classification Search**
USPC D6/672, 675, 675.1, 678, 678.1, 682, D6/682.3, 682.4, 683, 683.1
CPC A47B 73/00; A47B 73/002; A47B 47/00; A47B 47/008; A47B 47/25; A47F 5/00; A47F 5/0062
See application file for complete search history.

(57) **CLAIM**

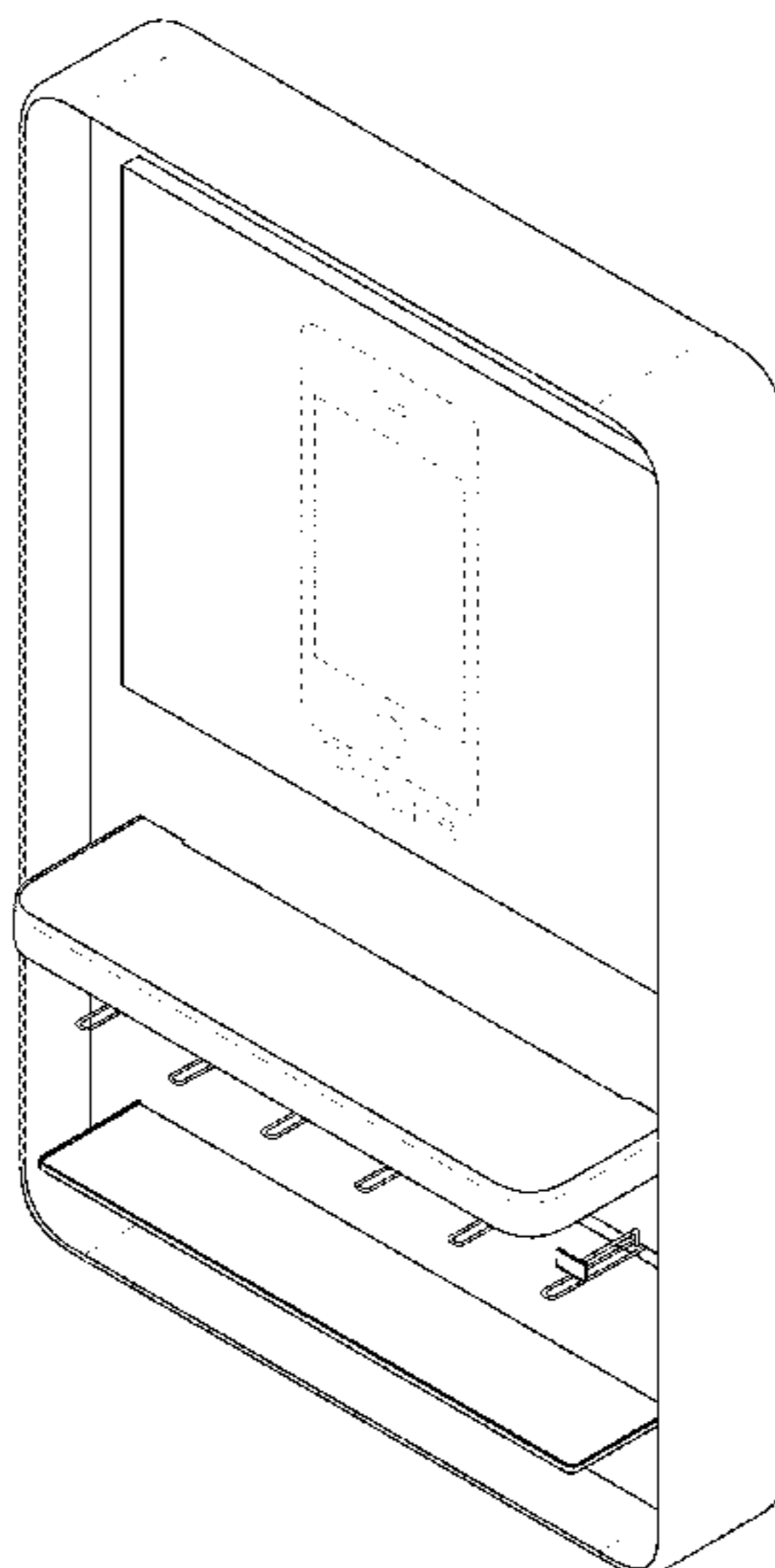
The ornamental design for a retail fixture, as shown and described.

DESCRIPTION

FIG. 1 is a top front perspective view of a retail fixture showing the claimed design;
FIG. 2 is a front view thereof;
FIG. 3 is a rear view thereof;
FIG. 4 is a left side view thereof;
FIG. 5 is a right side view thereof;
FIG. 6 is a top view thereof; and,
FIG. 7 is a bottom view thereof.
The broken lines in the figures show portions of the retail fixture that form no part of the claimed design.

(56) **References Cited**
U.S. PATENT DOCUMENTS
435,254 A 8/1890 Straughan
455,280 A 6/1891 Emerson
464,148 A 12/1891 Campbell
D41,125 S 1/1911 Klee
D144,844 S 5/1945 Dunham
3,014,773 A 12/1961 Foote, Jr. et al.

1 Claim, 5 Drawing Sheets



(56)

References Cited

U.S. PATENT DOCUMENTS

4,193,650 A	3/1980	Gray et al.	D554,907 S	11/2007	Edison et al.
D256,197 S	8/1980	Kates	D554,908 S	11/2007	Edison et al.
D262,664 S	1/1982	Willits, Jr.	D559,577 S	1/2008	Quinn
D264,731 S	6/1982	Shuman	D559,581 S	1/2008	Knoettgen-Nap
D265,618 S	8/1982	Robertson et al.	D576,426 S	9/2008	Yuen-Schat et al.
D274,203 S	6/1984	Evered	D584,075 S	1/2009	Hung
D277,057 S	1/1985	Franklin	D585,943 S	2/2009	Pymm et al.
D279,201 S	6/1985	Shuman	D590,630 S	4/2009	Singler et al.
D288,997 S	3/1987	Kraynak	D591,078 S	4/2009	Singler et al.
D290,204 S	6/1987	Bruget	D591,079 S	4/2009	Singler et al.
D291,512 S	8/1987	Everett	D591,531 S	5/2009	Sparkowski
D307,079 S	4/1990	Robertson	D591,974 S	5/2009	Singler et al.
D314,877 S	2/1991	Bush et al.	D591,979 S	5/2009	Singler et al.
D317,681 S	6/1991	Stewart et al.	D592,422 S	5/2009	Rheault
D321,100 S	10/1991	Dorrell	D593,775 S	6/2009	Singler et al.
D323,944 S	2/1992	Maas	D597,340 S	8/2009	Helgesen et al.
D324,701 S	3/1992	Capps	D607,669 S	1/2010	Trinh et al.
D329,155 S	9/1992	Schremmer	D607,670 S	1/2010	Trinh et al.
D335,963 S	6/1993	Tracey	D608,565 S	1/2010	Mori
D342,846 S	1/1994	Stefanowicz	D610,832 S	3/2010	Rheault
5,316,156 A	5/1994	Land et al.	D613,344 S	4/2010	Hradisky
D347,755 S	6/1994	Houston	D632,903 S	2/2011	Paul
D351,863 S	10/1994	Sarkisian et al.	D636,441 S	4/2011	Potts
5,369,553 A	11/1994	Trusiani	D637,421 S	5/2011	Theisen et al.
D354,638 S	1/1995	Todd et al.	D637,422 S	5/2011	Theisen et al.
D359,488 S	6/1995	Hui	D639,086 S	6/2011	Curbbun et al.
D362,236 S	9/1995	Dann et al.	D641,989 S	7/2011	Giroux et al.
D365,947 S	1/1996	Howard	D641,992 S	7/2011	Giroux et al.
D369,044 S	4/1996	Lechleiter et al.	D642,360 S	8/2011	West
5,577,817 A	11/1996	Reynolds	D642,390 S	8/2011	West
D377,012 S	12/1996	Oslund	D642,824 S	8/2011	Theisen et al.
5,607,070 A	3/1997	Hellyer	D644,039 S	8/2011	Naples et al.
D379,377 S	5/1997	Rath	D646,503 S	10/2011	Fiori
D389,345 S	1/1998	Grosfillex	D648,783 S	11/2011	Mathea
D392,686 S	3/1998	Sarkisian et al.	D649,192 S	11/2011	Beukema et al.
D395,677 S	6/1998	Gongora et al.	D653,475 S	2/2012	Thompson
D396,251 S	7/1998	Mortensen	D655,947 S	3/2012	Doane
D397,562 S	9/1998	DePottey et al.	D657,978 S	4/2012	Hamm et al.
D398,462 S	9/1998	Baluk et al.	D658,615 S	5/2012	Chiu
D398,653 S	9/1998	Hiraguchi et al.	D660,361 S	5/2012	Carver, Jr.
D400,737 S	11/1998	DePottey et al.	D661,123 S	6/2012	Curbbun et al.
D408,383 S	4/1999	Carter et al.	D661,124 S	6/2012	Curbbun et al.
5,890,607 A	4/1999	Maglione	D661,922 S	6/2012	Mitri
D410,036 S	5/1999	Washington	8,228,668 B2	7/2012	Asamarai et al.
D427,808 S	7/2000	Bedard	D671,535 S	11/2012	Terashima et al.
D434,451 S	11/2000	Grimshaw	D676,430 S	2/2013	Blaser
D434,929 S	12/2000	Heiny et al.	D678,696 S	3/2013	Hamm et al.
6,164,467 A	12/2000	DePottey et al.	D678,969 S	3/2013	Oldknow et al.
6,170,678 B1	1/2001	de la Fuente	D679,521 S	4/2013	Hamm et al.
D438,256 S	2/2001	Timmermans et al.	D680,350 S *	4/2013	Peake-Atkins D6/662.1
D438,403 S	3/2001	Greenburg	D682,581 S	5/2013	Kikkert et al.
D439,445 S	3/2001	Riga et al.	D683,982 S *	6/2013	Kikkert D6/674
D442,796 S	5/2001	Brozak, Jr.	D684,792 S *	6/2013	Kikkert D6/674
D443,308 S	6/2001	Kovell	D685,205 S *	7/2013	Kikkert D6/674
D446,821 S	8/2001	Decaux	D688,494 S	8/2013	Hamm et al.
6,357,609 B1	3/2002	Van Noord et al.	D691,838 S	10/2013	Hinkle
D457,016 S	5/2002	Dudley	D693,156 S	11/2013	Hamm et al.
D458,059 S	6/2002	Dudley	8,602,227 B1	12/2013	McDonald
D463,499 S	9/2002	Marcos	D700,901 S	3/2014	Giglio et al.
D465,529 S	11/2002	Hummell	D708,459 S	7/2014	Heirakuji et al.
D468,134 S	1/2003	Oikawa	D709,952 S	7/2014	Logan et al.
D470,892 S	2/2003	Linko, Sr.	D713,658 S	9/2014	Tio et al.
D478,582 S	8/2003	Becker et al.	D717,085 S	11/2014	Trinh et al.
D495,901 S	9/2004	Bosman	D717,573 S	11/2014	Fishman et al.
D497,485 S	10/2004	Resultan	D722,313 S	2/2015	Birgeoglu
D501,284 S	1/2005	Mount	D722,794 S	2/2015	Luong
D501,889 S	2/2005	Harris et al.	D723,025 S	2/2015	Birgeoglu
D509,543 S	9/2005	Hillstrom et al.	D723,026 S	2/2015	Birgeoglu
D515,846 S	2/2006	Reeves et al.	D725,108 S	3/2015	Yeon
D521,275 S	5/2006	Dusenberry	D725,947 S	4/2015	Tio et al.
D522,274 S	6/2006	Coval	D727,995 S	4/2015	Vilcovsky
D538,068 S	3/2007	Newhouse et al.	D728,281 S	5/2015	Heirakuji et al.
D538,556 S	3/2007	Arias	D728,283 S	5/2015	Weshler et al.
D543,561 S	5/2007	Fogarty et al.	D730,852 S	6/2015	Park et al.
7,228,654 B2	6/2007	Stravitz	D734,965 S	7/2015	Tio et al.
			D737,604 S	9/2015	Bridger et al.
			D741,091 S	10/2015	Tio et al.
			D742,455 S	11/2015	Denby et al.
			D742,870 S	11/2015	Berini

(56)

References Cited

U.S. PATENT DOCUMENTS

D750,970 S	3/2016	Moreno	D796,234 S	9/2017	Thaler et al.
D753,754 S	4/2016	Vilcovsky et al.	D806,447 S	1/2018	Burton et al.
D756,137 S	5/2016	Abelmann et al.	D806,448 S	1/2018	Burton et al.
D758,105 S	6/2016	Taraczky	D807,086 S	1/2018	Tio et al.
D758,106 S	6/2016	Hamm et al.	D815,864 S	4/2018	Burton et al.
D763,605 S	8/2016	Bridger et al.	D820,619 S	6/2018	Brugger et al.
D767,922 S	10/2016	Jussila	D821,116 S	6/2018	Hamm et al.
D769,651 S	10/2016	Tio et al.	D821,117 S	6/2018	Gorman et al.
D770,203 S	11/2016	Thaler et al.	D824,702 S	8/2018	Tio et al.
D777,478 S *	1/2017	Krauss D6/675	D824,894 S *	8/2018	Marasco D14/307
D778,087 S	2/2017	Mandon et al.	D852,274 S	6/2019	Lim et al.
D779,240 S	2/2017	Tio et al.	D867,035 S *	11/2019	Brugger D6/675
D779,859 S	2/2017	Richardson et al.	D867,036 S *	11/2019	Brugger D6/675
D785,975 S	5/2017	Thaler et al.	D877,546 S *	3/2020	Spielmann D6/675
D785,978 S	5/2017	Brown et al.	D877,548 S *	3/2020	Brugger D6/675
D790,260 S	6/2017	Tio et al.	2005/0279033 A1	12/2005	Faber et al.
D795,751 S	8/2017	Roth et al.	2007/0170823 A1	7/2007	Stannis et al.
			2014/0306584 A1	10/2014	Demars
			2016/0217718 A1	7/2016	Silver
			2017/0127832 A1	5/2017	Klacking

* cited by examiner

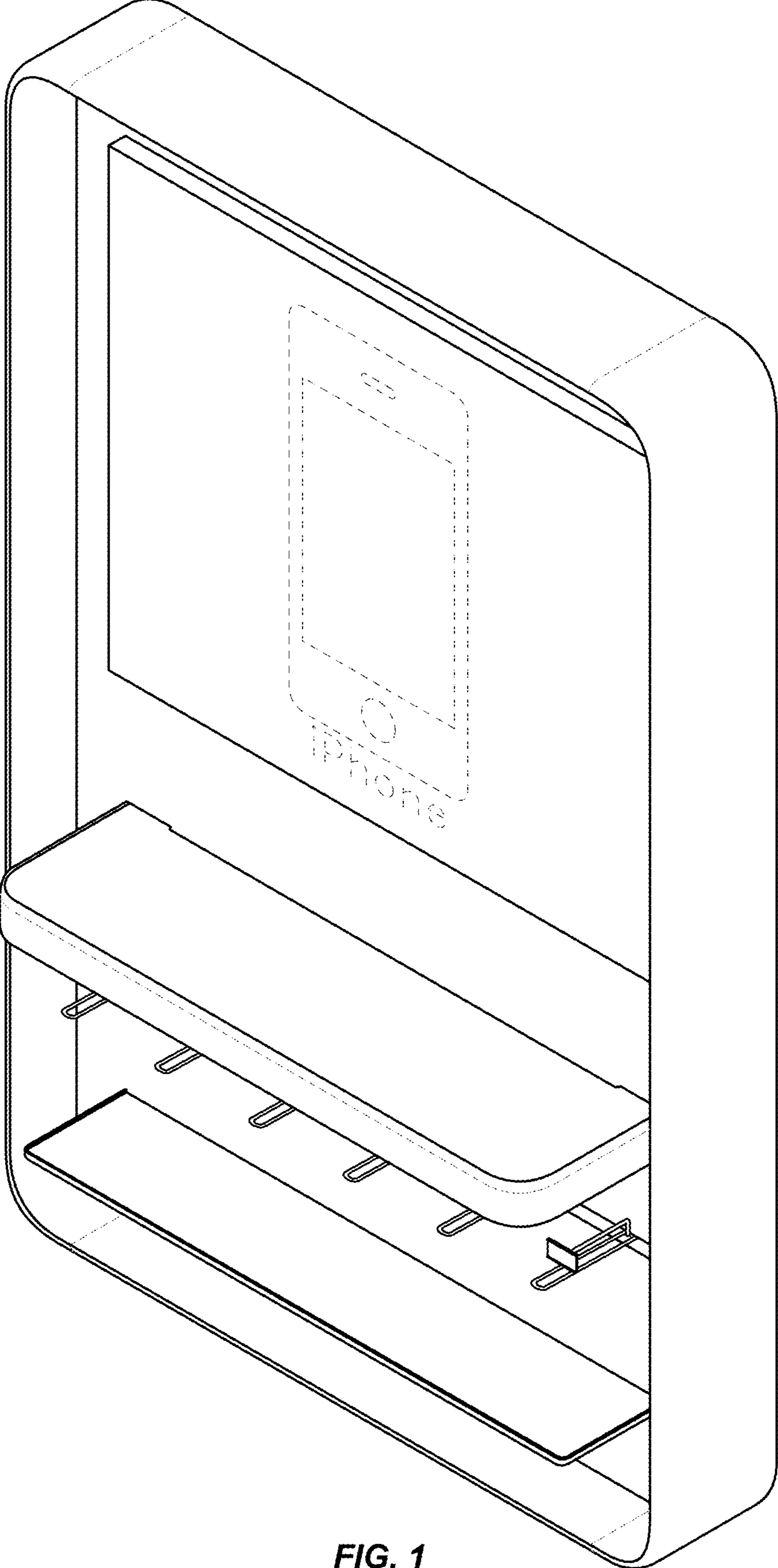


FIG. 1

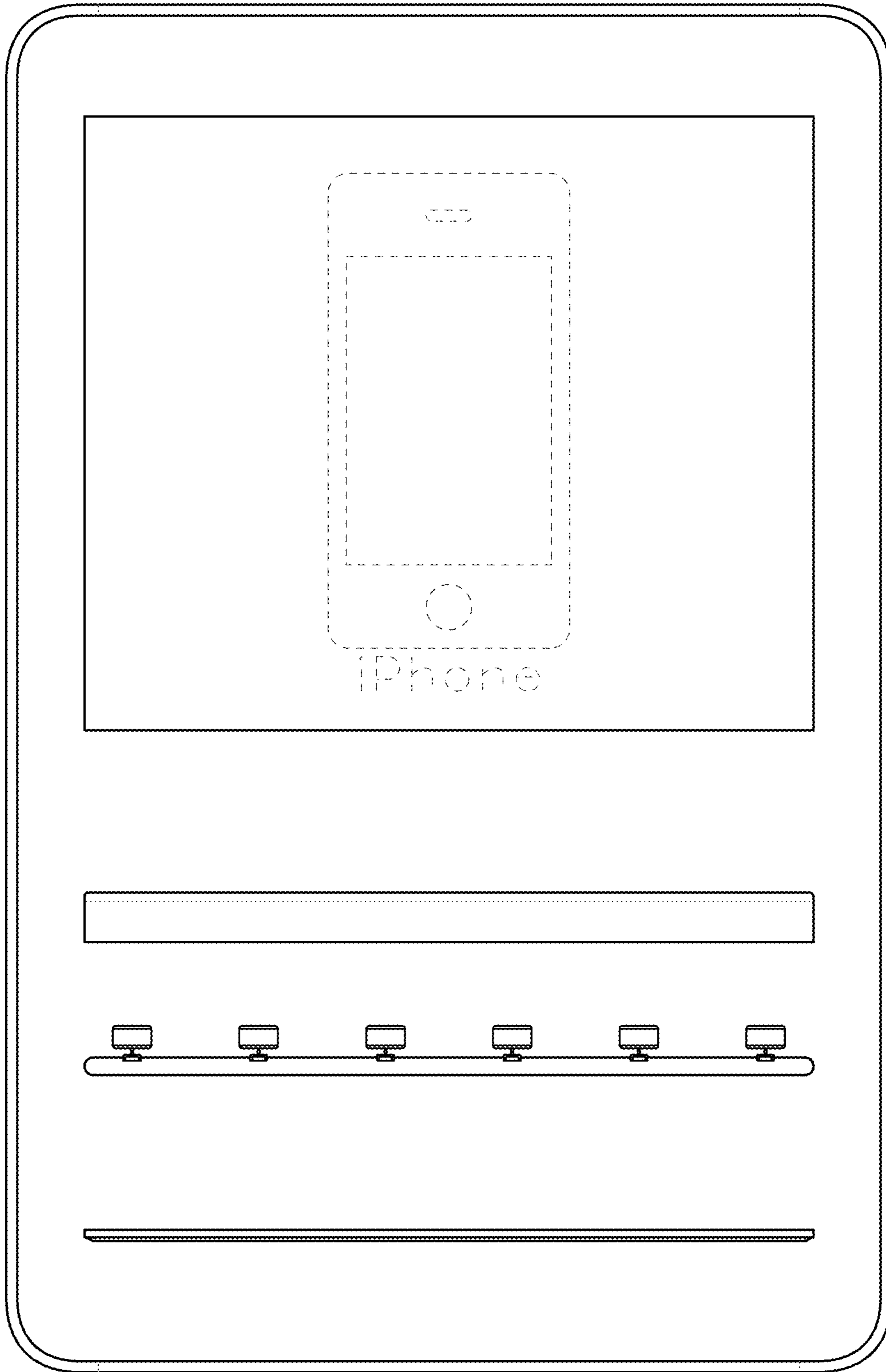


FIG. 2

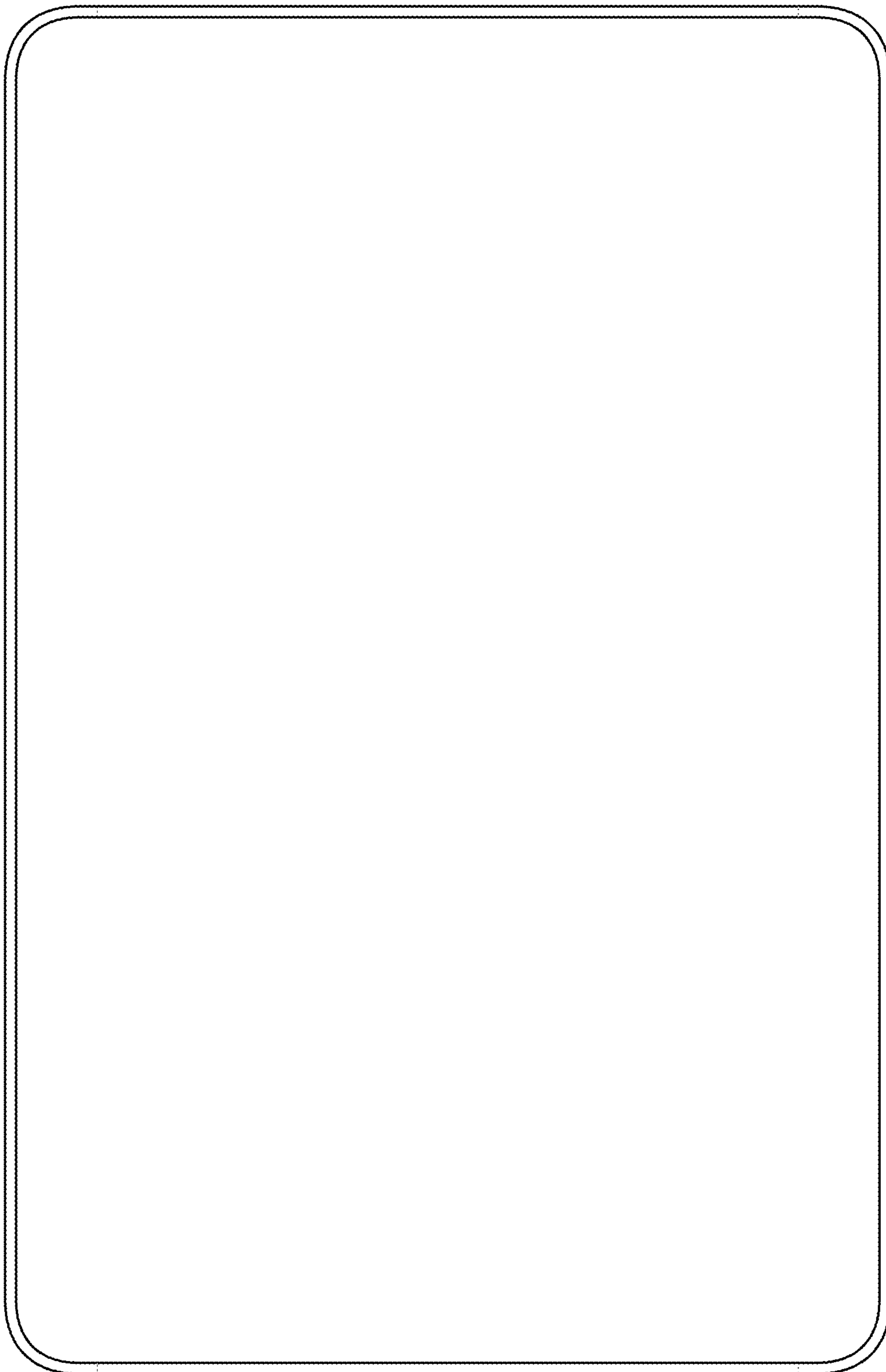


FIG. 3

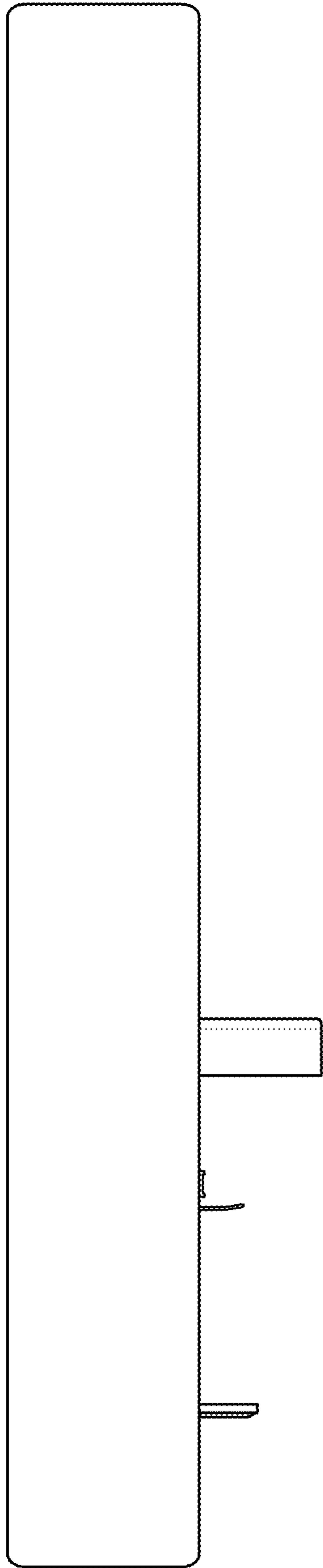


FIG. 4

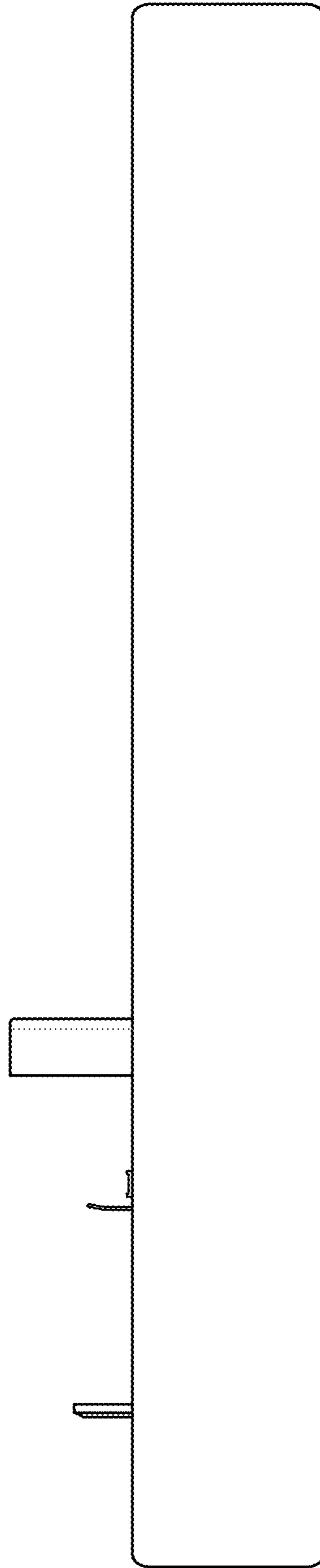


FIG. 5

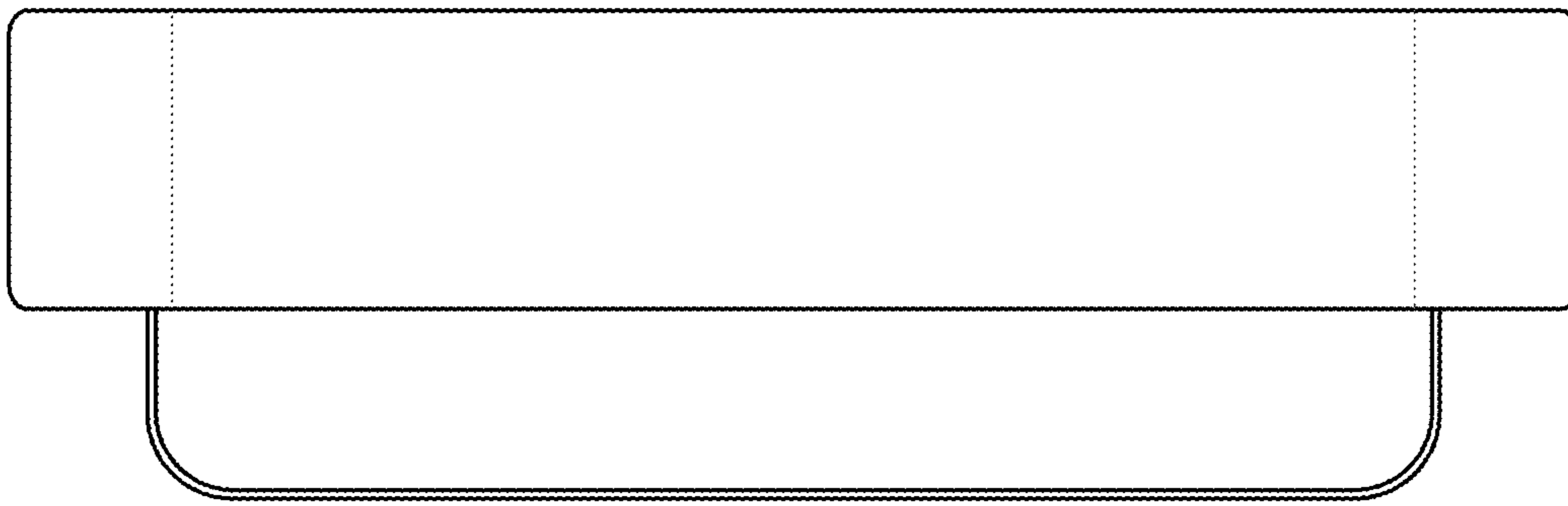


FIG. 6

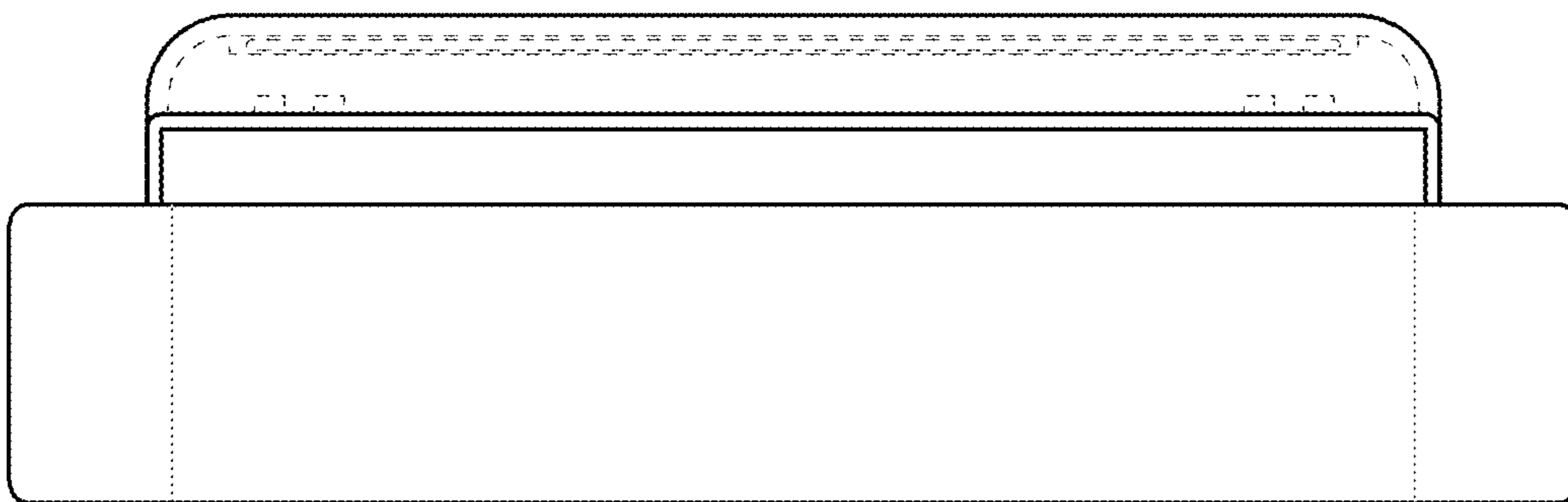


FIG. 7