



US00D887184S

(12) **United States Design Patent**
Tsuchiyama

(10) **Patent No.:** **US D887,184 S**
(45) **Date of Patent:** **** *Jun. 16, 2020**

- (54) **WIRING STORAGE FURNITURE**
- (71) Applicant: **OKAMURA CORPORATION**,
Yokohama-shi, Kanagawa (JP)
- (72) Inventor: **Waku Tsuchiyama**, Yokohama (JP)
- (73) Assignee: **Okamura Corporation**, Yokohama-shi,
Kanagawa (JP)
- (*) Notice: This patent is subject to a terminal disclaimer.
- (**) Term: **15 Years**
- (21) Appl. No.: **29/643,058**
- (22) Filed: **Apr. 4, 2018**

(30) **Foreign Application Priority Data**

Oct. 5, 2017 (JP) 2017-022093

- (51) **LOC (12) Cl.** **06-06**
- (52) **U.S. Cl.**
USPC **D6/675**
- (58) **Field of Classification Search**
USPC D3/273-274; D9/642, 759; D14/308;
D6/629, 657, 663-664, 672, 672.1, 675,
D6/675.1, 675.2, 682, 682.1, 682.2
CPC .. H02B 1/26; A47B 81/00; B25H 3/00; B25H
3/04; H05K 5/00
See application file for complete search history.

(56) **References Cited**

U.S. PATENT DOCUMENTS

- D165,536 S * 12/1951 Marshall D6/664
- D313,980 S * 1/1991 Ikeda D14/308

- D427,191 S * 6/2000 Hashizume D14/308
- D553,879 S * 10/2007 Juneau D6/671
- D693,153 S * 11/2013 Kwok D6/661
- D732,318 S * 6/2015 Engebretson D6/657
- D741,094 S * 10/2015 Martell D6/702
- D787,239 S * 5/2017 Denby D6/657
- D796,234 S * 9/2017 Thaler D6/675
- D799,861 S * 10/2017 Krusin D6/671.1
- D802,658 S * 11/2017 Takino B41J 2/14
D18/56
- D859,892 S * 9/2019 Tio D6/675
- 2016/0255957 A1 * 9/2016 Tsuchiyama A47B 13/02

* cited by examiner

Primary Examiner — Kelley A Donnelly

(74) *Attorney, Agent, or Firm* — Sughrue Mion, PLLC

(57) **CLAIM**

The ornamental design for a wiring storage furniture, as shown and described.

DESCRIPTION

FIG. 1 is a perspective view of a wiring storage furniture. FIG. 2 is a front elevation view thereof. FIG. 3 is a rear elevation view thereof. FIG. 4 is a right side elevation view thereof. A left side elevation view is a mirror image of the right side elevation view. FIG. 5 is a top plan view thereof. FIG. 6 is a bottom plan view thereof. FIG. 7 is an enlarged cross-sectional view taken along the line 7-7 in FIG. 2; and, FIG. 8 is a cross-sectional view taken along the line 8-8 in FIG. 2. The broken lines shown in the drawings illustrate portions of the wiring storage furniture that form no part of the claimed design.

1 Claim, 8 Drawing Sheets

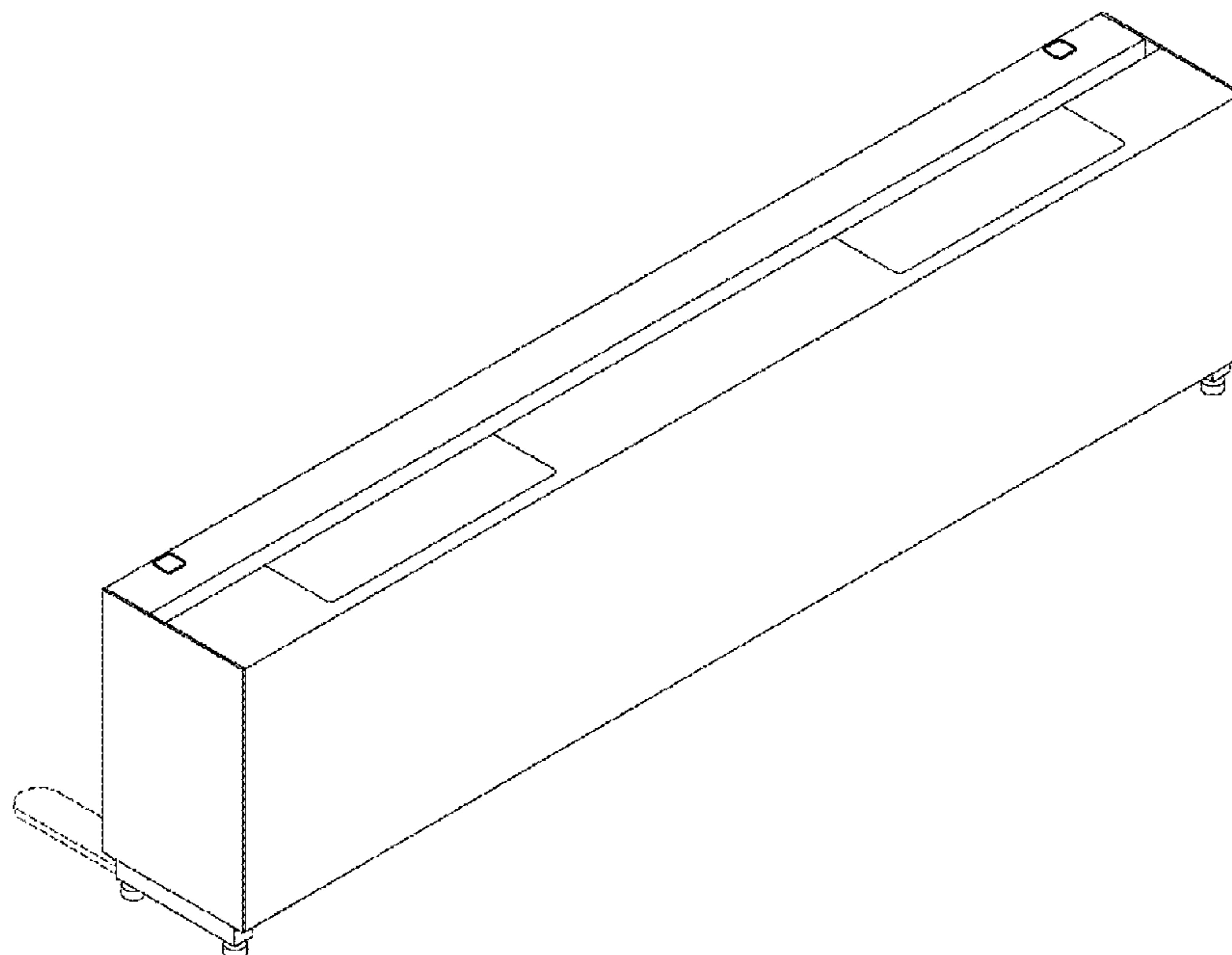


FIG. 1

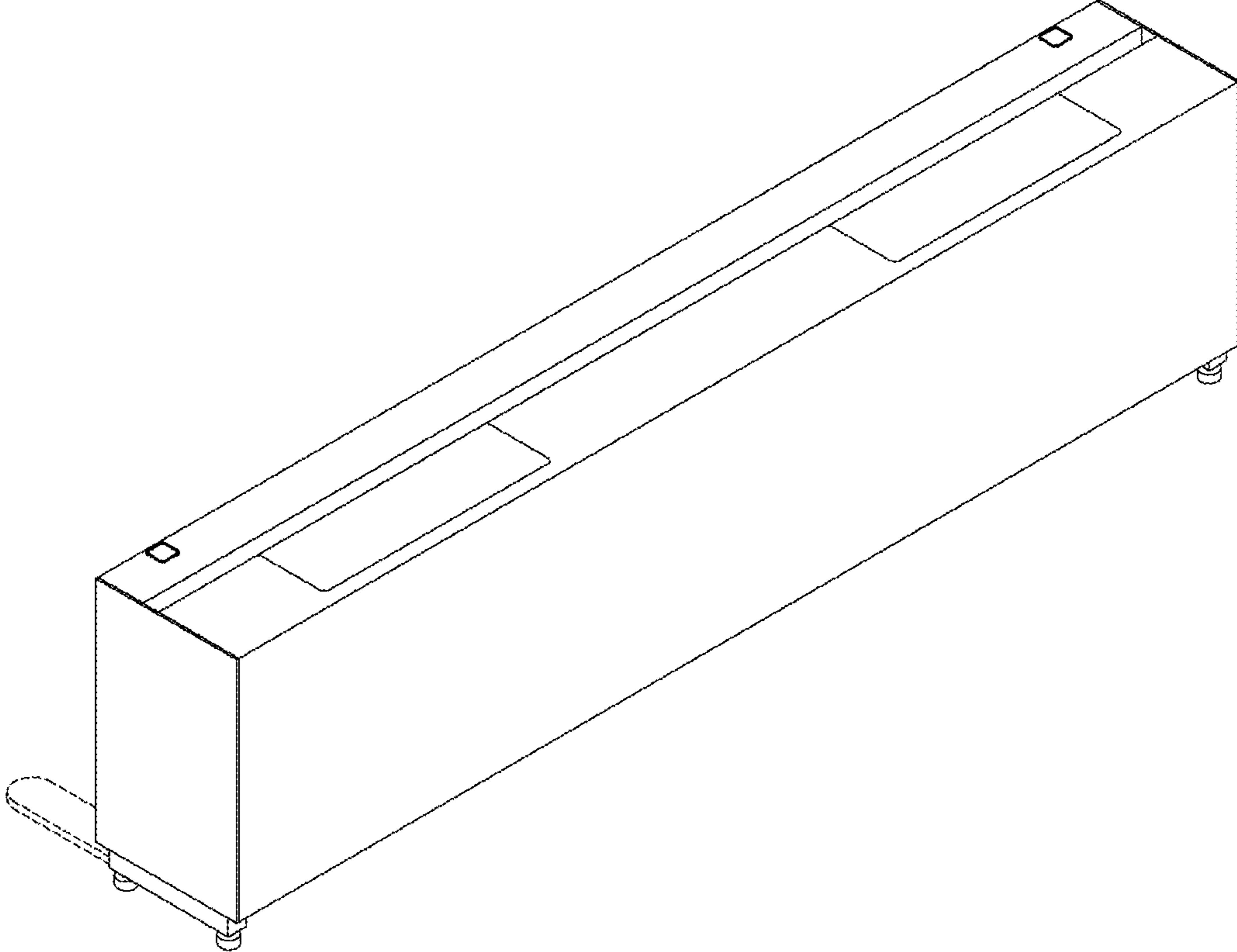


FIG. 2

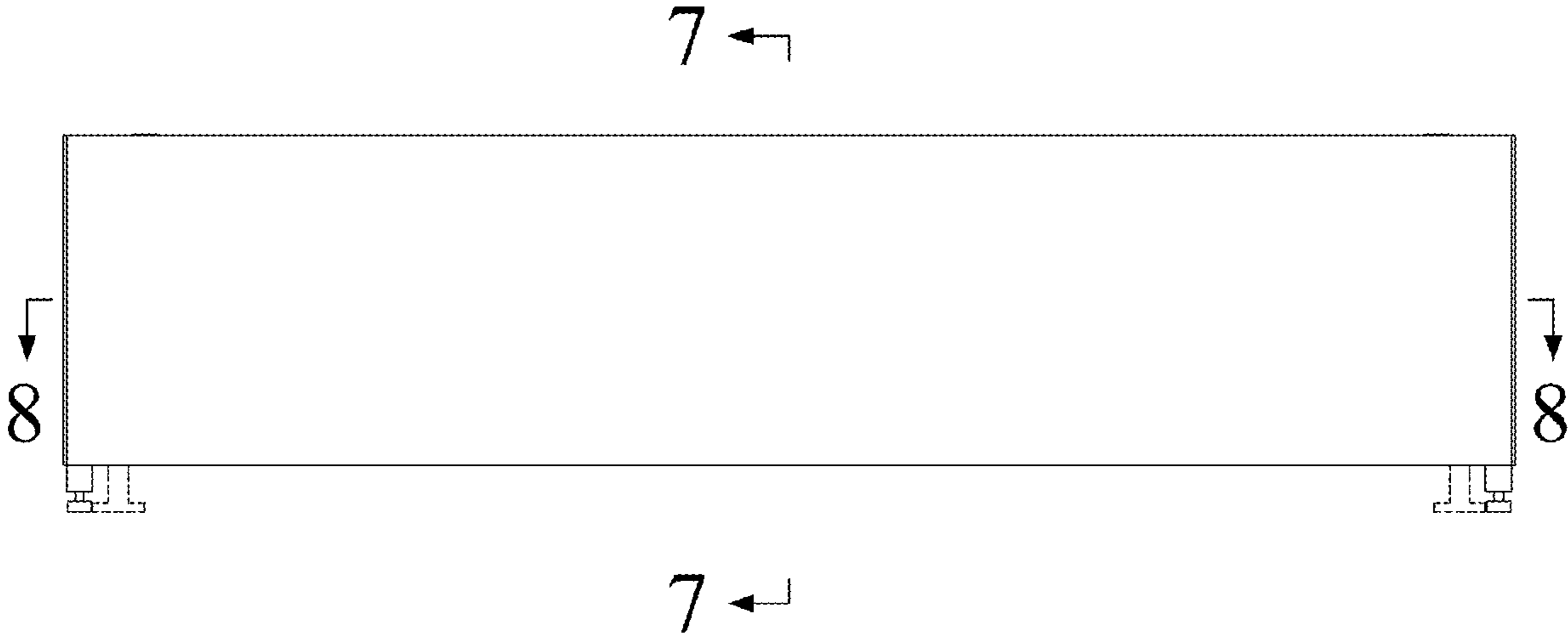


FIG. 3

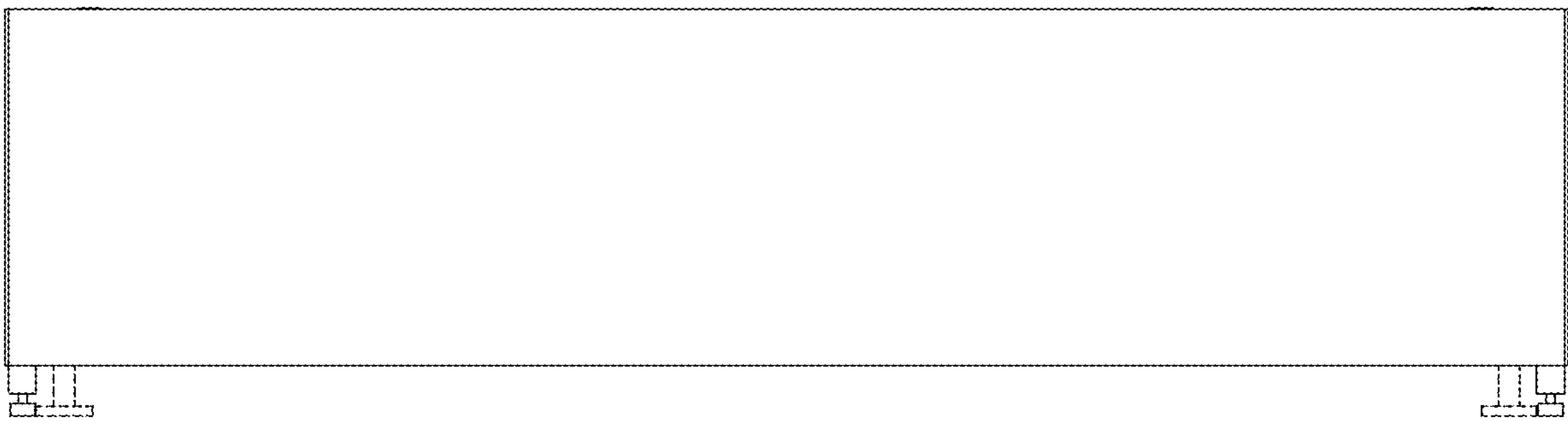


FIG. 4

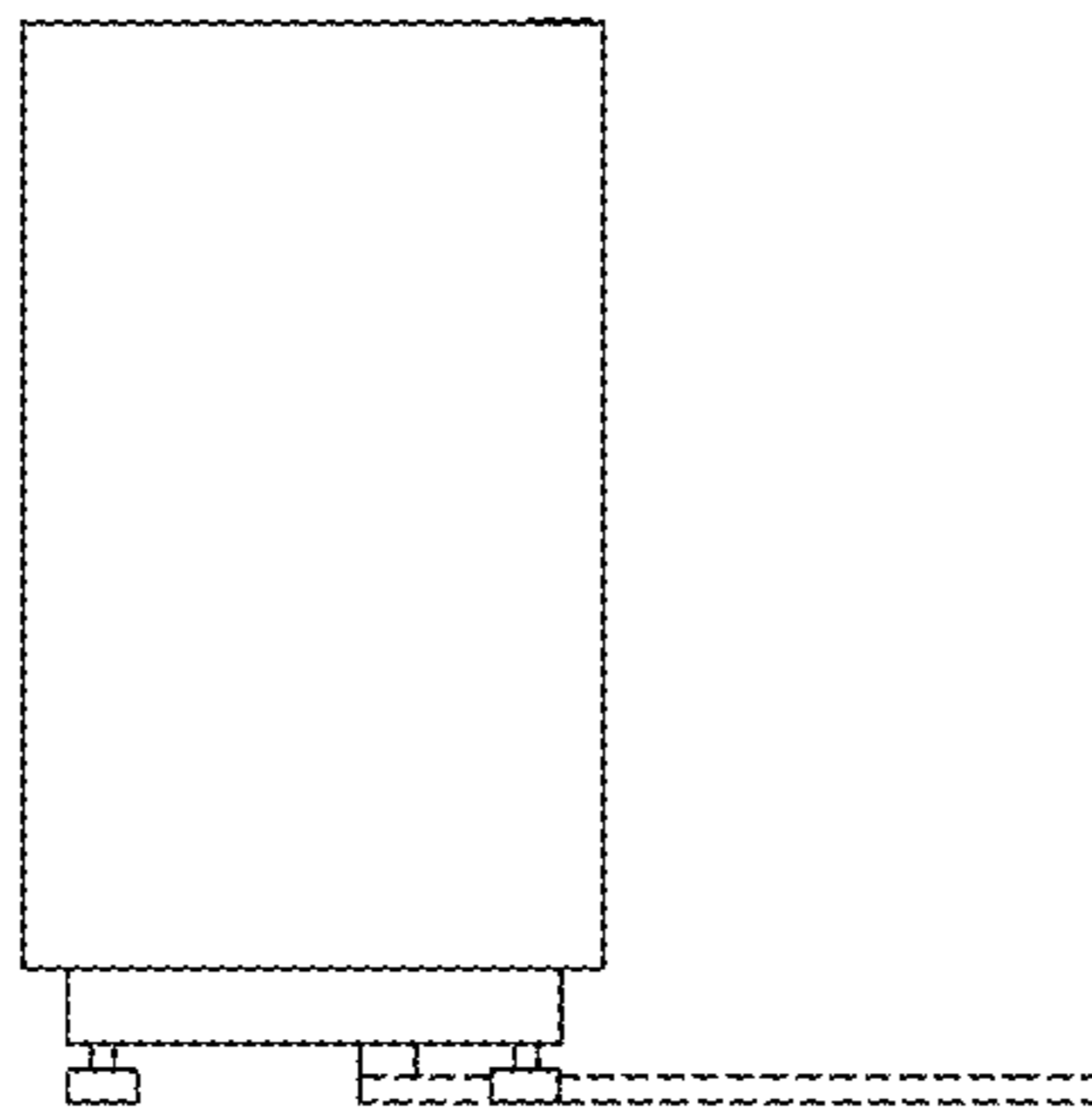


FIG. 5

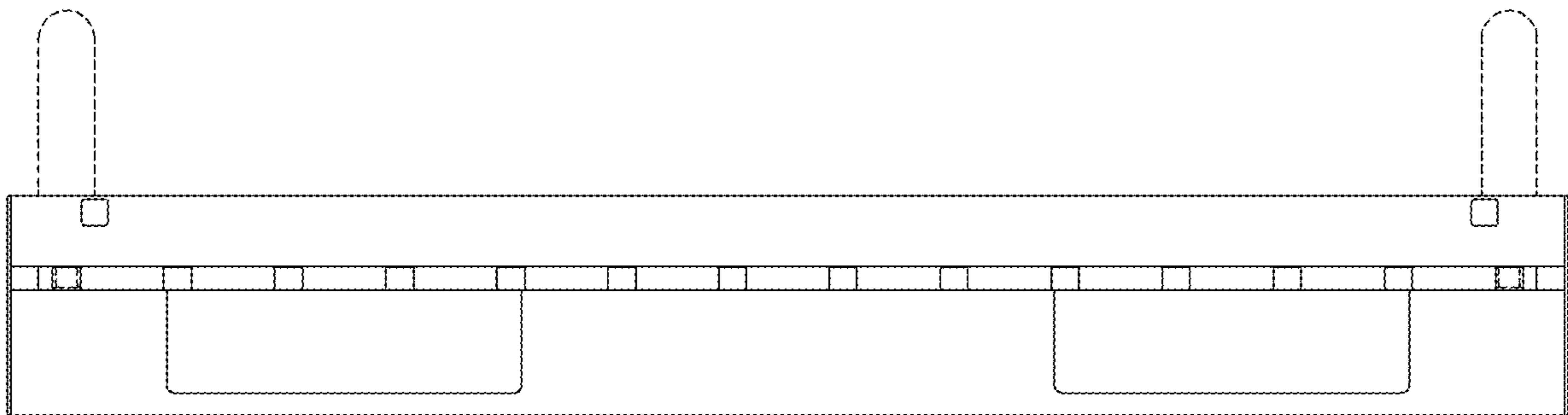


FIG. 6

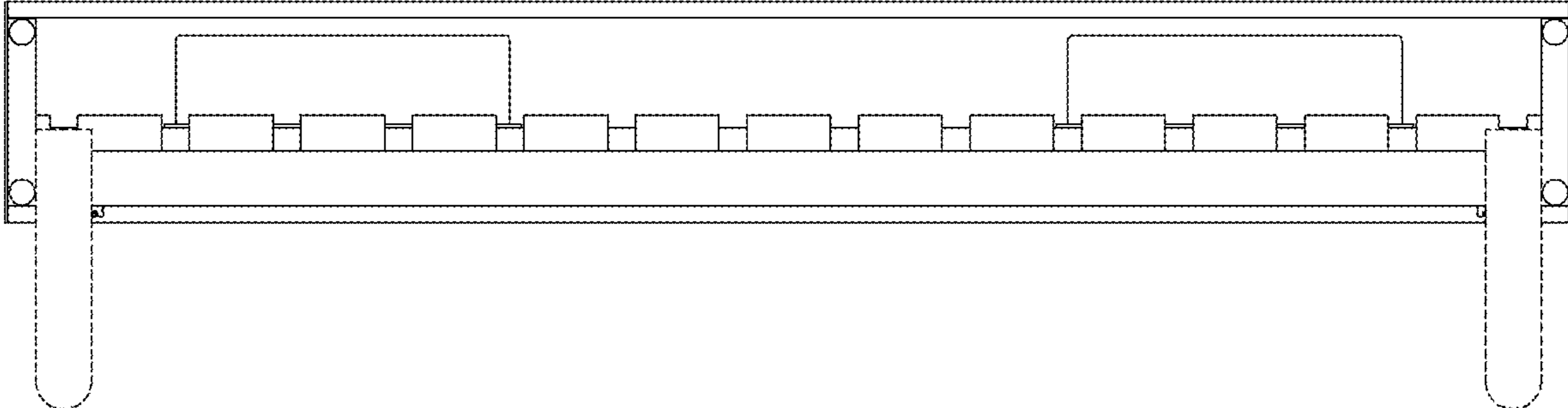


FIG. 7

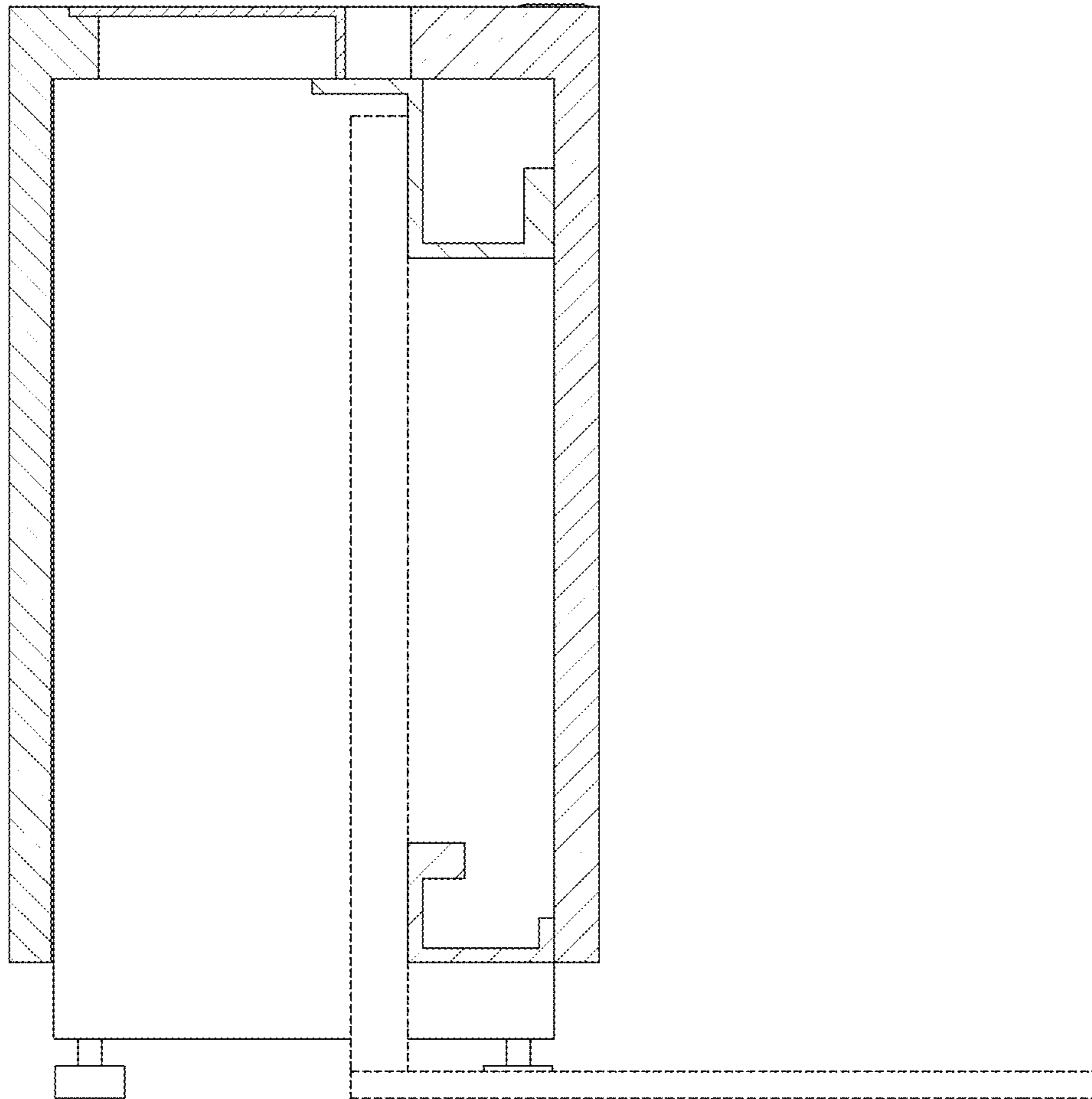


FIG. 8

