



US00D887183S

(12) **United States Design Patent** (10) **Patent No.:** **US D887,183 S**
Ying (45) **Date of Patent:** **** Jun. 16, 2020**

(54) **FOLDABLE DESK**

(71) Applicant: **Zhejiang Wuyi Kaisheng Aluminum Industry Co., Ltd**, Jinhua, Zhejiang Province (CN)

(72) Inventor: **Jiexue Ying**, Yongkang (CN)

(73) Assignee: **ZHEJIANG WUYI KAISHENG ALUMINUM INDUSTRY CO., LTD**, Jinhua (CN)

(**) Term: **15 Years**

(21) Appl. No.: **29/661,097**

(22) Filed: **Aug. 24, 2018**

(30) **Foreign Application Priority Data**

Apr. 20, 2018 (CN) 2018 3 0165583

(51) **LOC (12) Cl.** **06-03**

(52) **U.S. Cl.**
USPC **D6/656.17**

(58) **Field of Classification Search**
 USPC ... D6/641, 642, 656, 656.11–656.17, 656.19
 CPC .. A47B 3/00; A47B 3/002; A47B 3/06; A47B 3/08; A47B 3/0803; A47B 3/0818; A47B 3/087; A47B 2003/0824; A47B 7/00; A47B 13/00; A47B 13/003; A47B 13/02; A47B 13/04; A47B 13/06; A47B 13/08; A47B 13/081; A47B 13/10; A47B 13/12; A47B 9/00; A47B 17/00; A47B 21/00; A47B 21/02; A47B 2200/0001; A47B 2200/0011; A47B 2200/002; A47B 2200/0055; A47B 2200/00029; A47B 2200/0035; A47B 2200/0036; A47B 2200/0043

See application file for complete search history.

(56) **References Cited**

U.S. PATENT DOCUMENTS

D299,798	S	*	2/1989	Sottsas	D6/656.16
D322,729	S	*	12/1991	Diffrient	D6/656.17
D557,522	S	*	12/2007	Stapleton	D6/656.17
D710,133	S	*	8/2014	Scharer	A47B 13/081
						D6/656.17
9,591,919	B2	*	3/2017	Ergun	A47B 9/02
D877,544	S	*	3/2020	Hu	A47B 9/02
						D6/656.16
2005/0235886	A1	*	10/2005	Koning	A47B 3/0818
						108/132
2012/0073476	A1	*	3/2012	Lai	A47B 13/00
						108/2
2015/0196115	A1	*	7/2015	Favaro	A47C 4/00
						297/330
2016/0260019	A1	*	9/2016	Riquelme Ruiz	A47B 21/007
2016/0324309	A1	*	11/2016	Kassanoff	A47B 13/081
2019/0200752	A1	*	7/2019	van Hooft	A47B 13/003
2019/0328130	A1	*	10/2019	Egger	A47B 9/12

* cited by examiner

Primary Examiner — Mary Ann Calabrese

(74) *Attorney, Agent, or Firm* — Bayramoglu Law Offices LLC

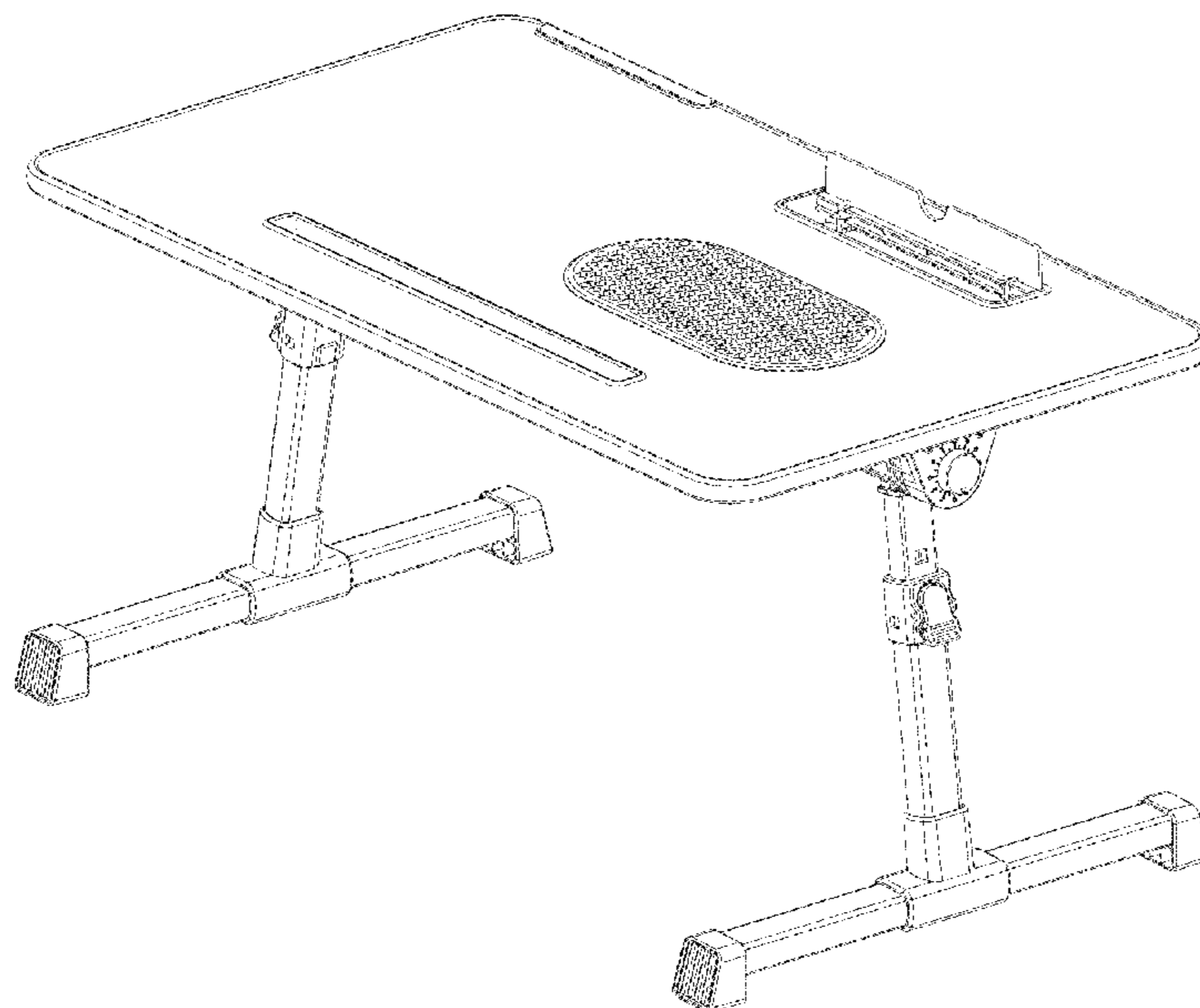
(57) **CLAIM**

The ornamental design for a foldable desk, as shown and described.

DESCRIPTION

FIG. 1 is a perspective view of a foldable desk according to my new design;
 FIG. 2 is a right side elevation view thereof;
 FIG. 3 is a left side elevation view thereof;
 FIG. 4 is a front elevation view thereof;
 FIG. 5 is a rear elevation view thereof;
 FIG. 6 is a top plan view thereof; and,
 FIG. 7 is a bottom plan view thereof.

1 Claim, 7 Drawing Sheets



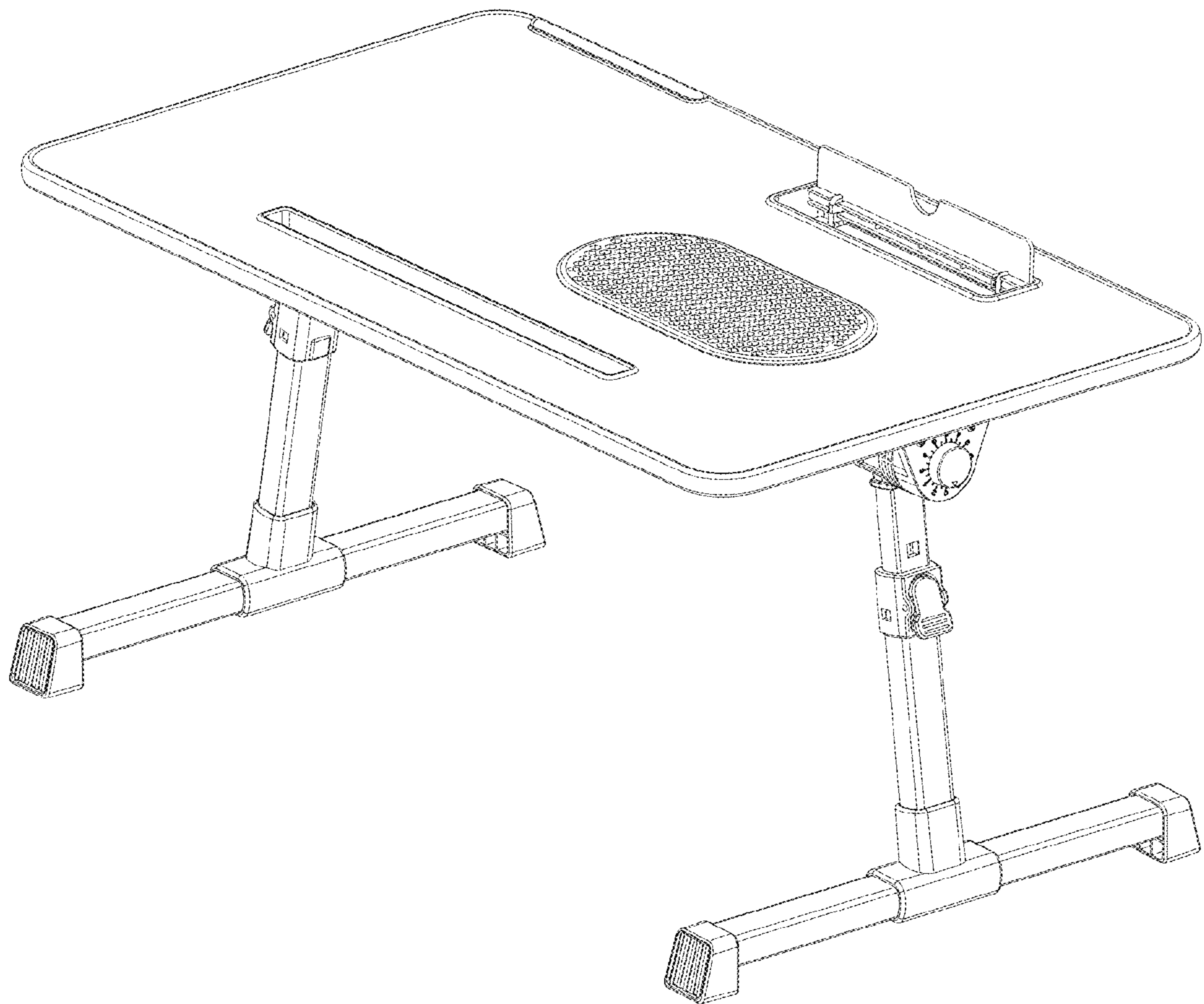


FIG. 1

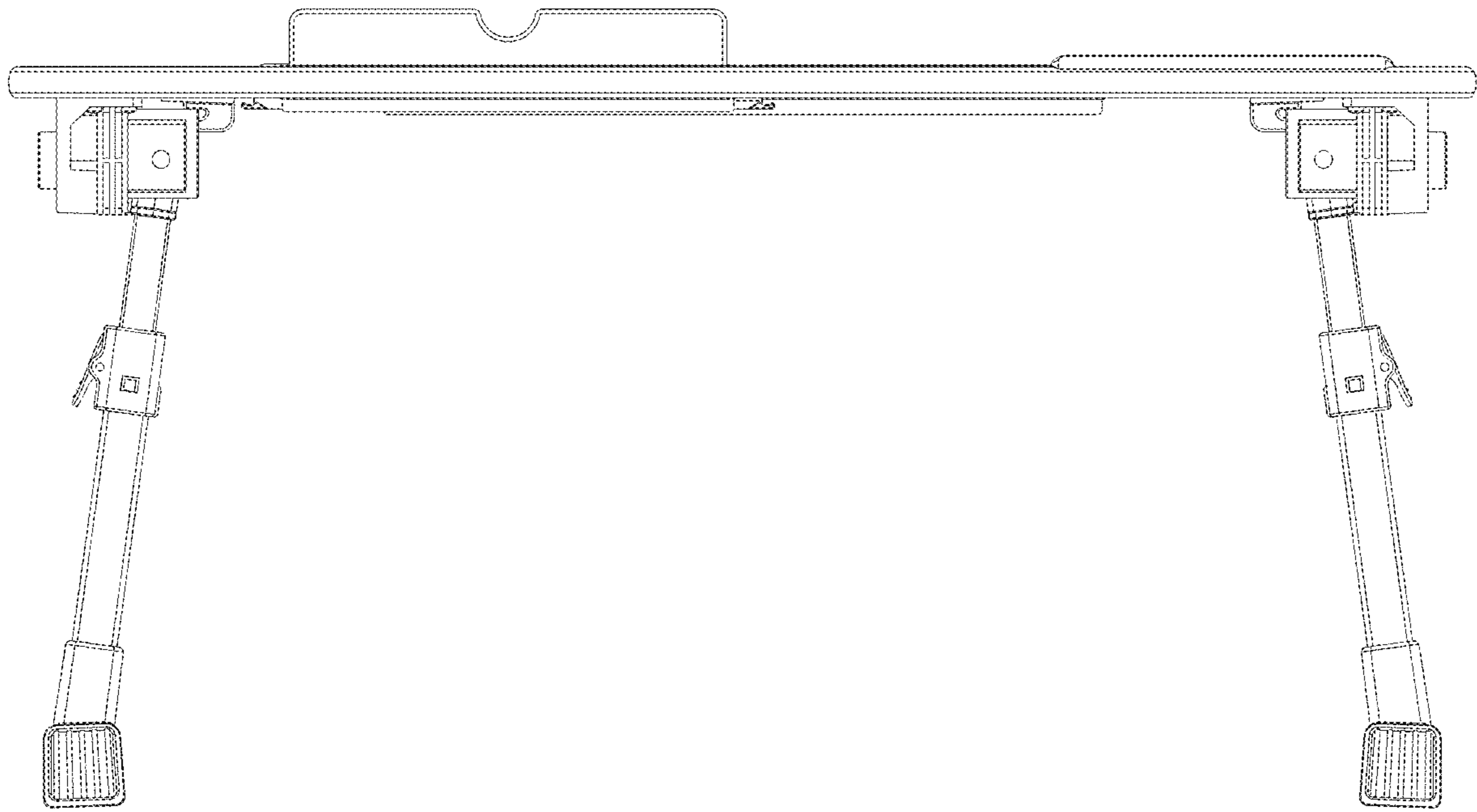


FIG. 2

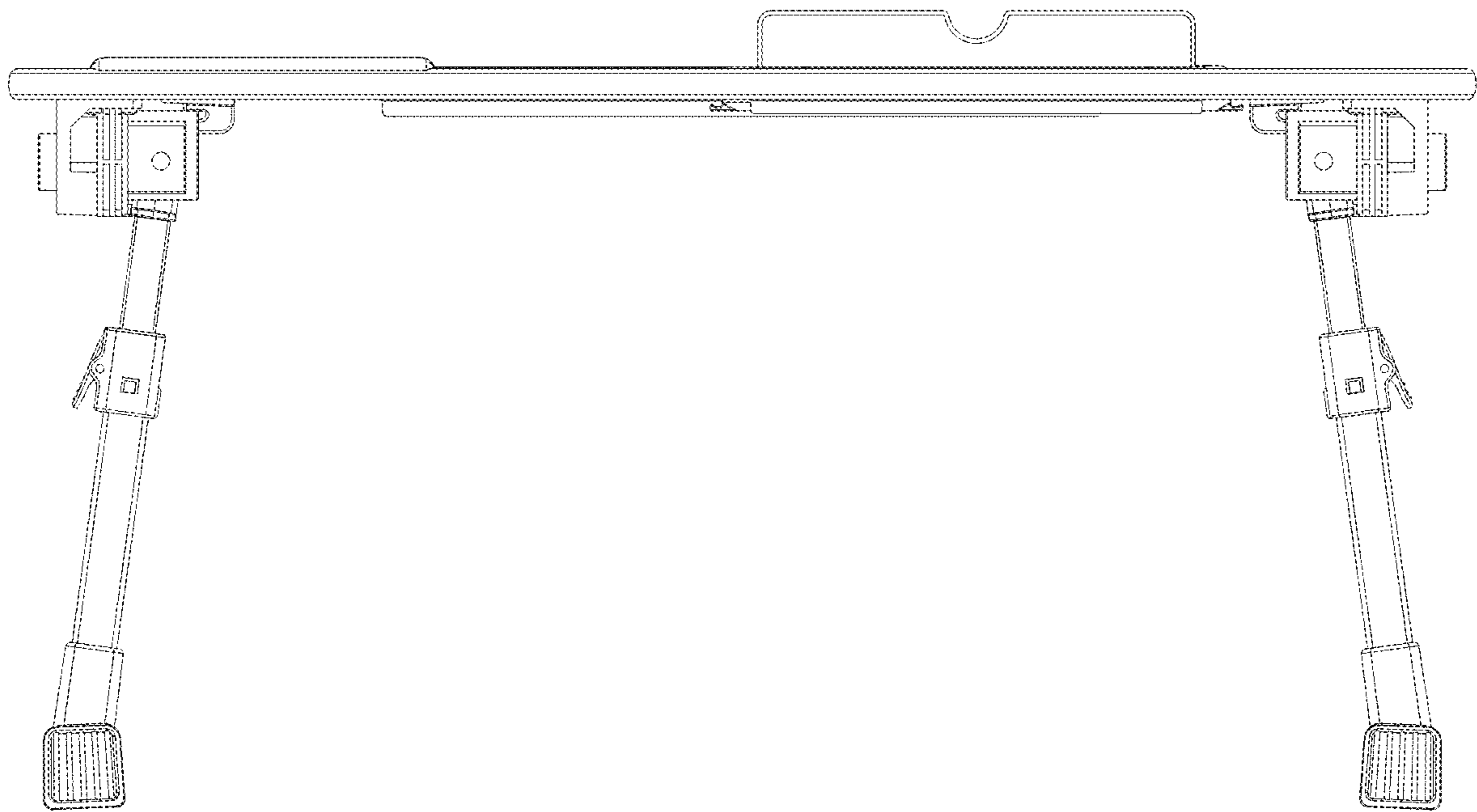


FIG. 3

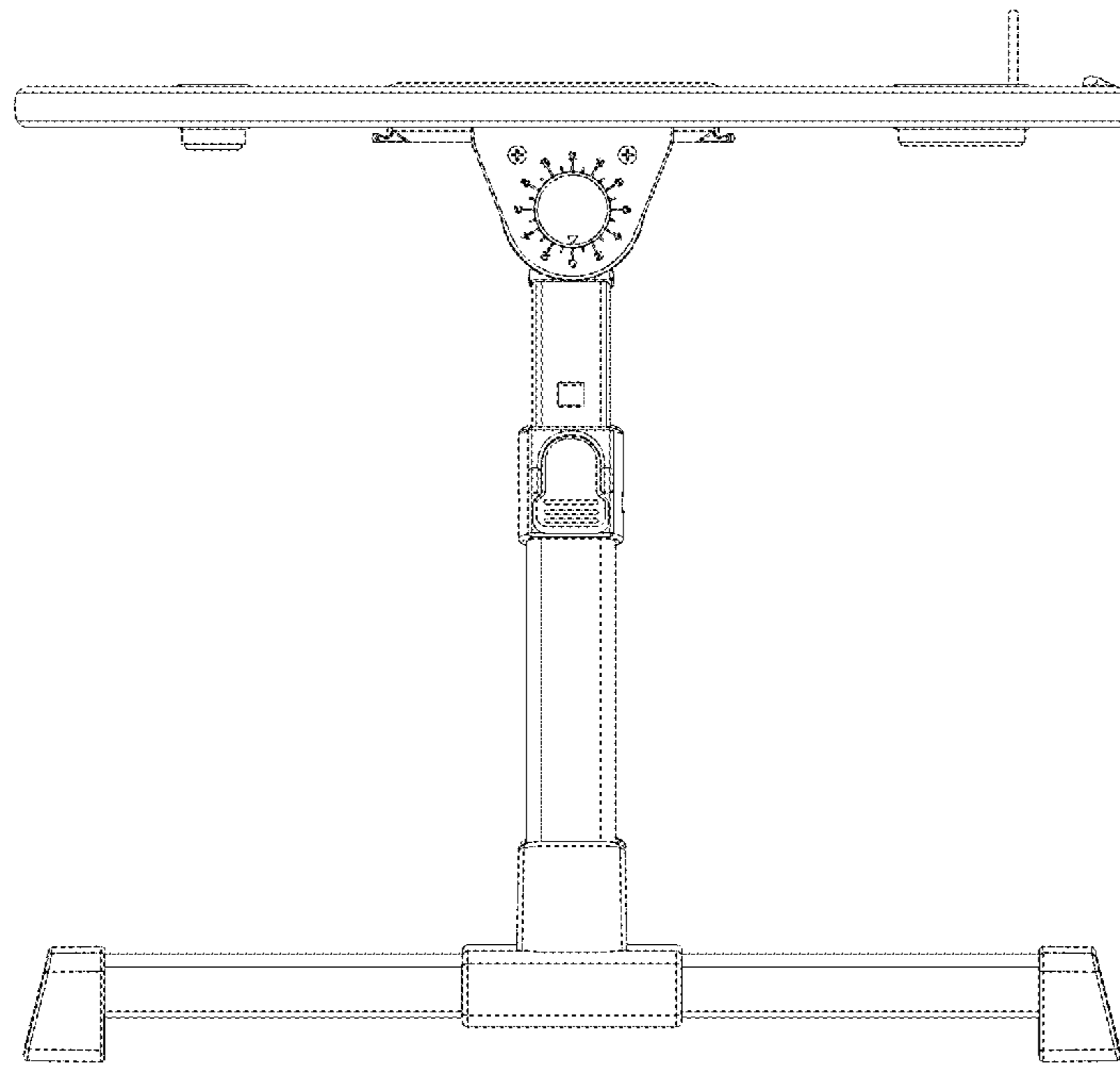


FIG. 4

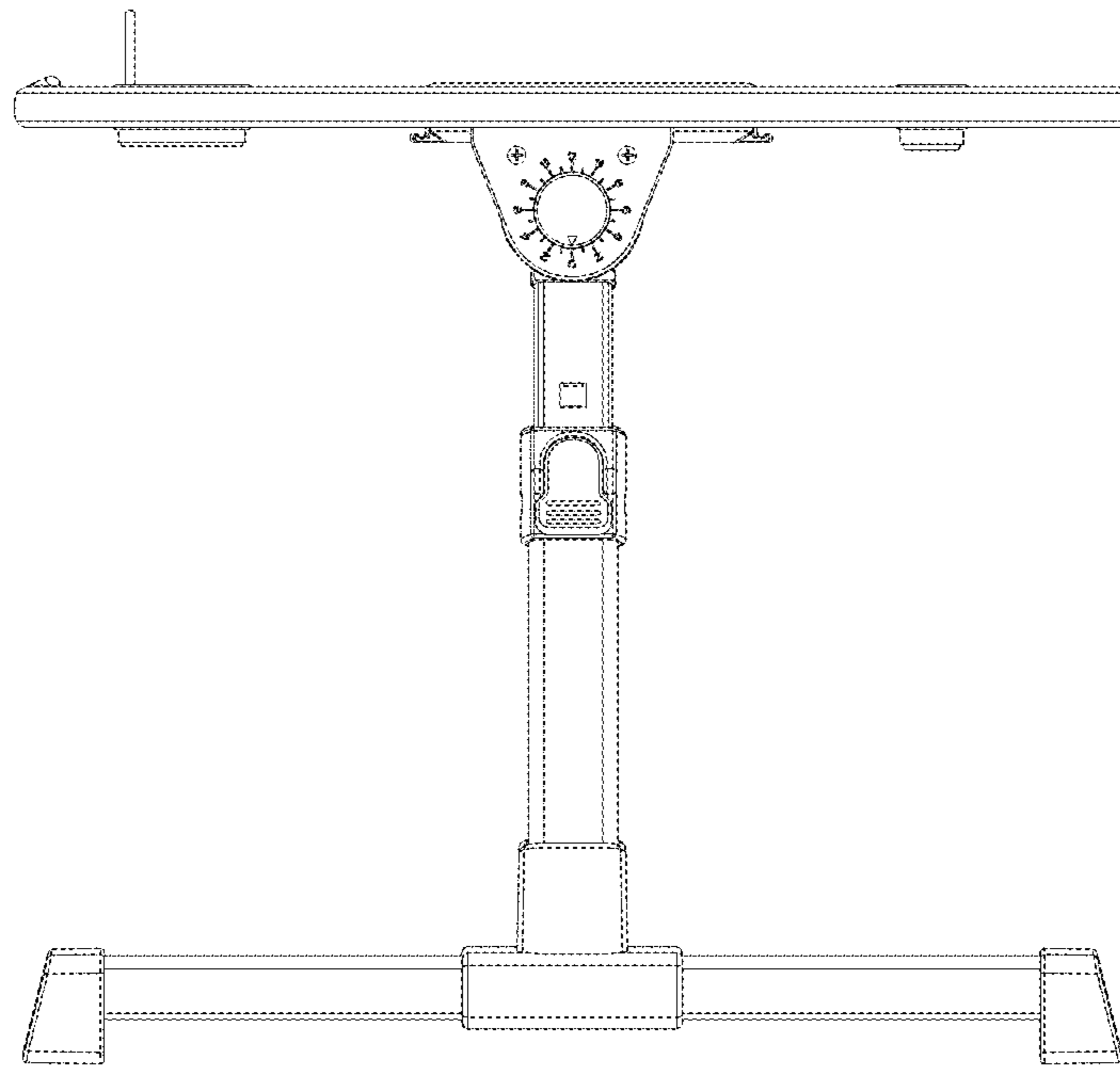


FIG. 5

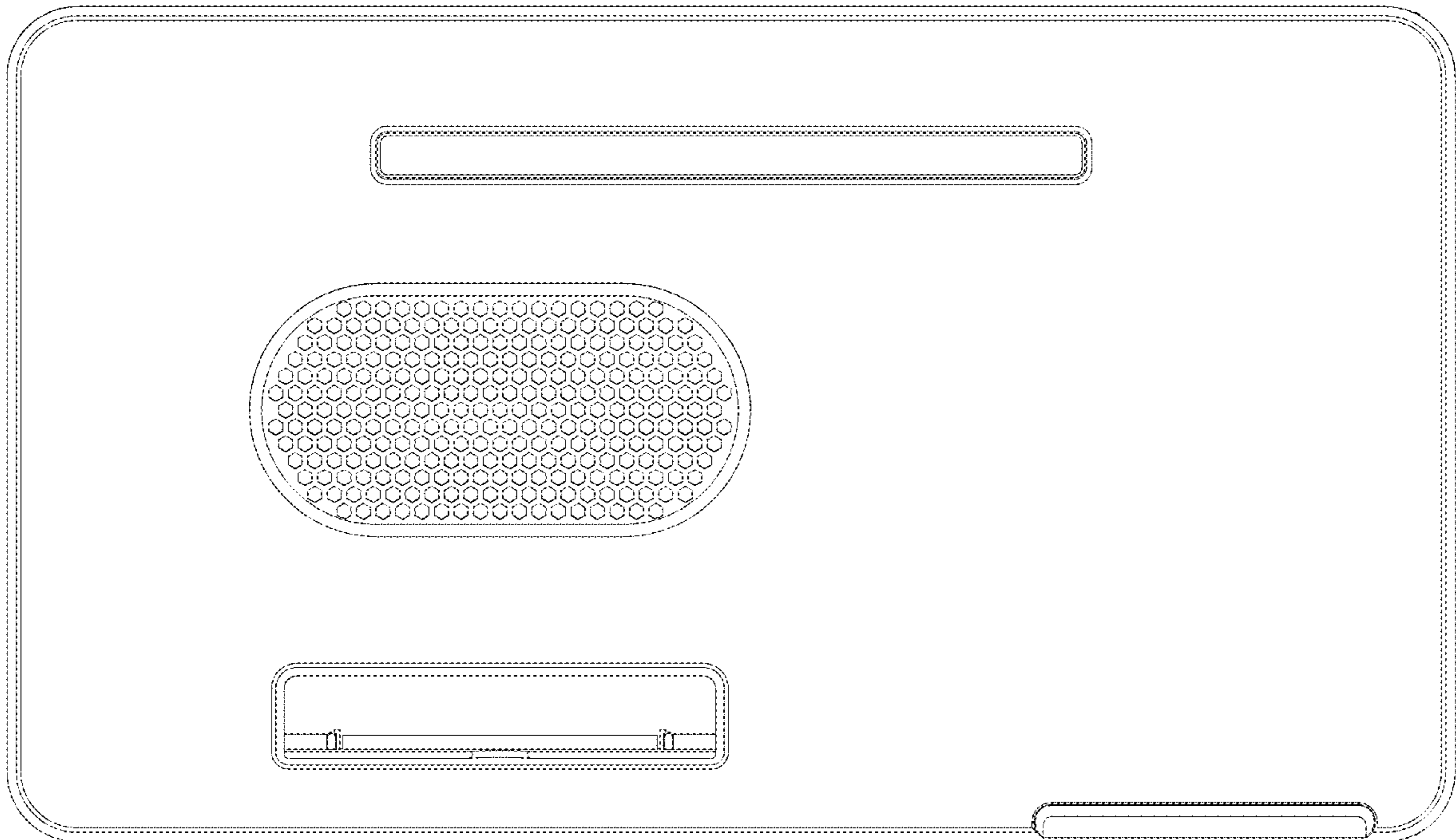


FIG. 6

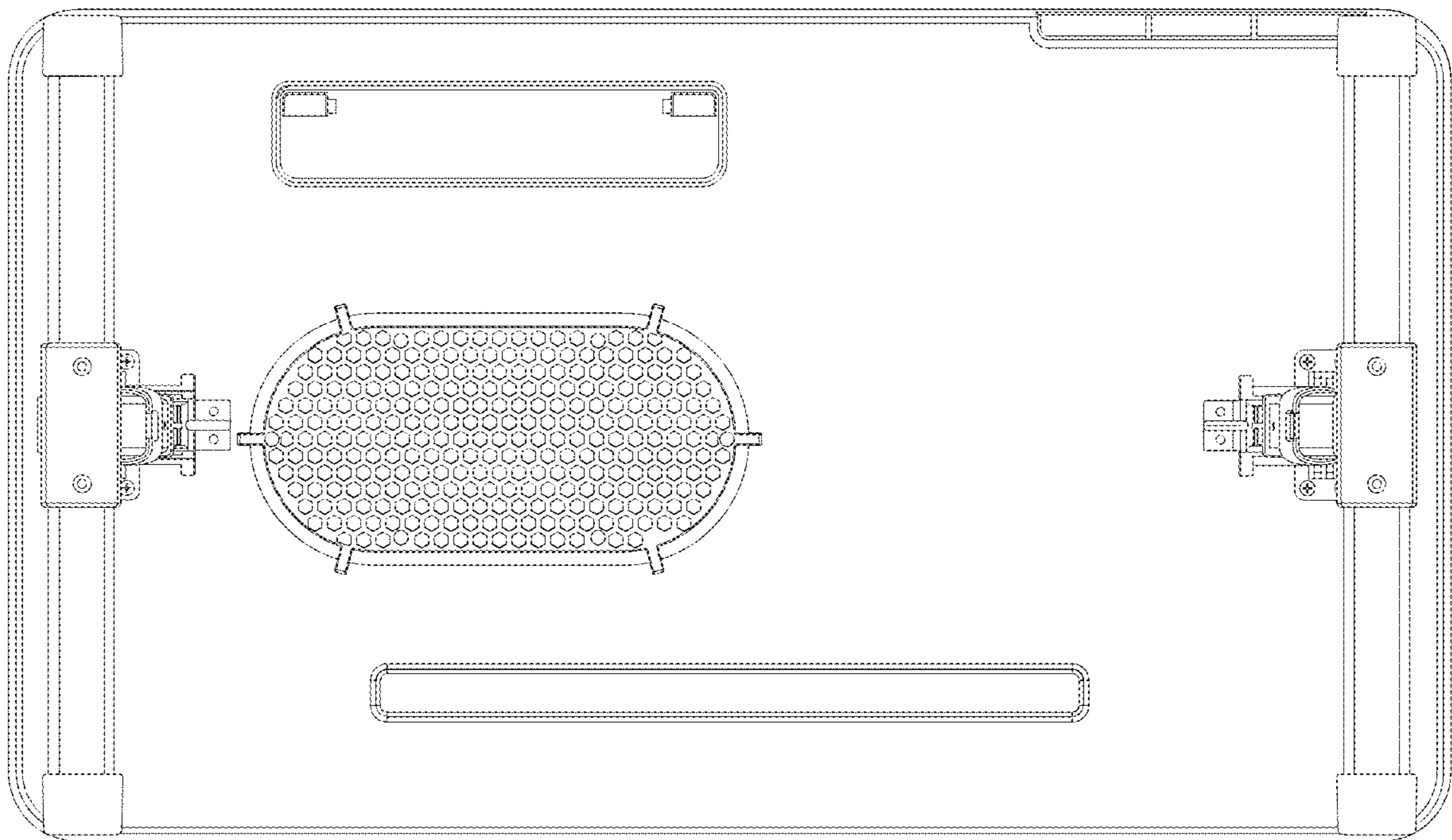


FIG. 7