



US00D887181S

(12) **United States Design Patent** (10) **Patent No.:** **US D887,181 S**  
**Hu** (45) **Date of Patent:** **\*\* Jun. 16, 2020**

(54) **HEIGHT ADJUSTABLE DESK WITH SINGLE COLUMN**

(71) Applicant: **Yajun Hu**, El Dorado Hills, CA (US)

(72) Inventor: **Yajun Hu**, El Dorado Hills, CA (US)

(73) Assignees: **Yajun Hu**, El Dorado Hills, CA (US);  
**EUREKA LLC**, El Dorado Hills, CA (US)

(\*\*) Term: **15 Years**

(21) Appl. No.: **29/665,022**

(22) Filed: **Sep. 28, 2018**

(51) **LOC (12) Cl.** ..... **06-03**

(52) **U.S. Cl.**  
USPC ..... **D6/655.2**

(58) **Field of Classification Search**  
 USPC ... D6/641, 642, 648, 648.1-648.4, 649, 654,  
 D6/655, 655.17, 655.18, 655.2, 655.21  
 CPC .... A47B 7/00; A47B 9/00; A47B 9/06; A47B  
 9/08; A47B 9/20; A47B 2009/006; A47B  
 13/00; A47B 13/02; A47B 13/08; A47B  
 13/01; A47B 13/12; A47B 17/00; A47B  
 21/00; A47B 21/02; A47B 21/00314;  
 A47B 21/0371; A47B 2021/0307; A47B  
 2021/10322; A47B 2021/0335; A47B  
 2200/0001; A47B 2200/0002; A47B  
 2200/0003; A47B 2200/0011; A47B  
 2200/002; A47B 2200/0021; A47B  
 2200/0035; A47B 2200/0039; A47B  
 2200/004; A47B 2200/0042; A47B  
 2200/0046; A47B 2200/005; A47B  
 2200/0051; A47B 2200/0052

See application file for complete search history.

(56) **References Cited**

U.S. PATENT DOCUMENTS

D478,225 S	8/2003	Wang	
D499,273 S	12/2004	Chang	
D499,576 S	12/2004	Long	
D526,812 S	8/2006	Chen	
D547,970 S	8/2007	Chou	
D549,009 S	8/2007	Lin	
D781,617 S *	3/2017	Flaherty	D6/655
9,591,919 B2	3/2017	Ergun et al.	
D785,989 S *	5/2017	Flaherty	D6/696
9,635,932 B2	5/2017	Kelley et al.	
D832,623 S *	11/2018	Flaherty	D6/655
D852,548 S *	7/2019	Hu	D6/655
D865,404 S *	11/2019	Hu	D6/655.13
D879,513 S *	3/2020	Pei	A47B 3/0815
			D6/656.15
2007/0095257 A1 *	5/2007	Hernandez	A47B 3/0815
			108/115
2018/0192769 A1 *	7/2018	Xiang	A47B 21/02

\* cited by examiner

*Primary Examiner* — Mary Ann Calabrese

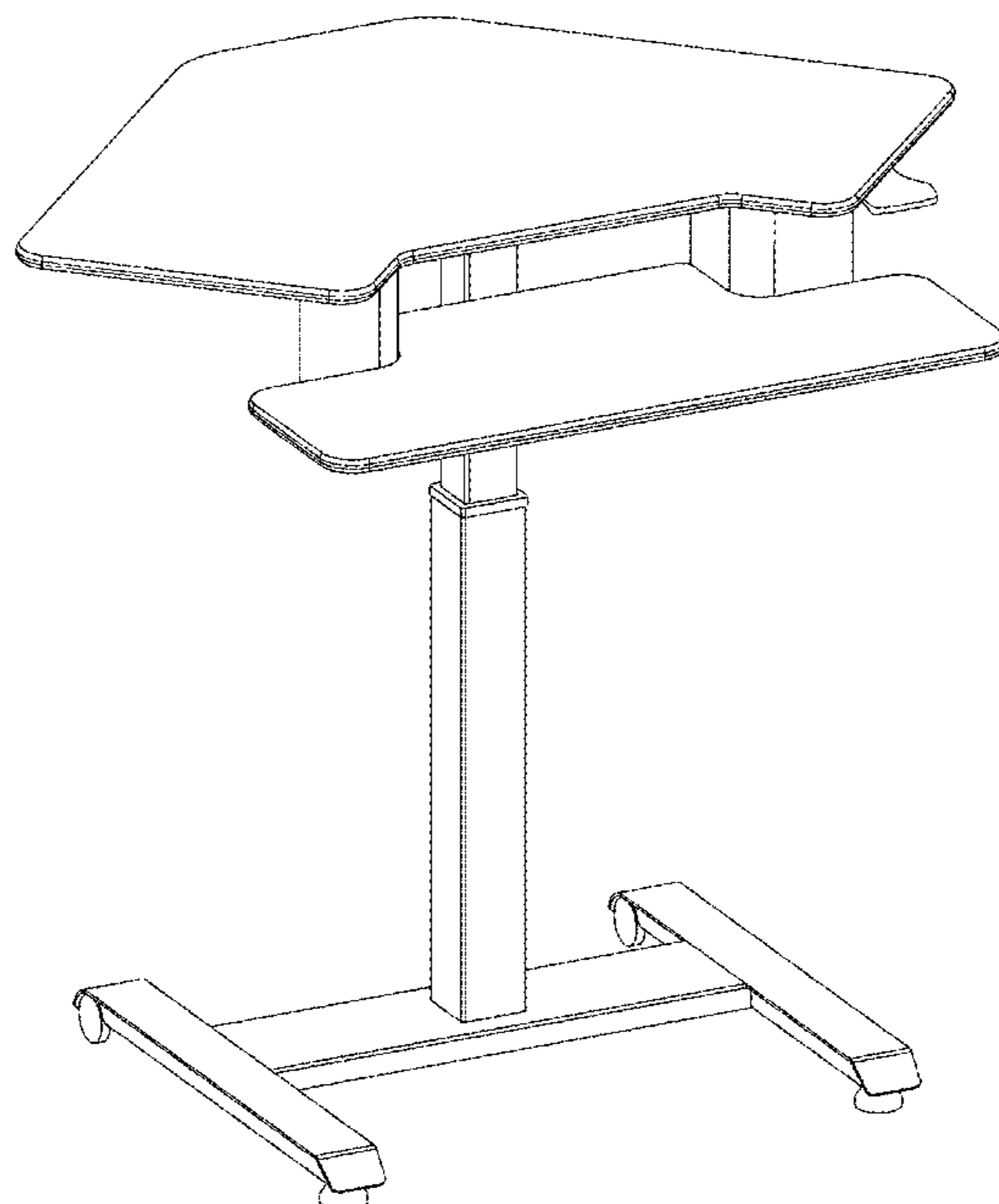
(57) **CLAIM**

The ornamental design for a height adjustable desk with single column, as shown and described.

**DESCRIPTION**

FIG. 1 is a perspective view of the height adjustable desk with single column, showing my new design;  
 FIG. 2 is a front view thereof;  
 FIG. 3 is a bottom view thereof;  
 FIG. 4 is a top view thereof;  
 FIG. 5 is a rear side view thereof;  
 FIG. 6 is a left side view thereof; and,  
 FIG. 7 is a right side view thereof.

**1 Claim, 7 Drawing Sheets**



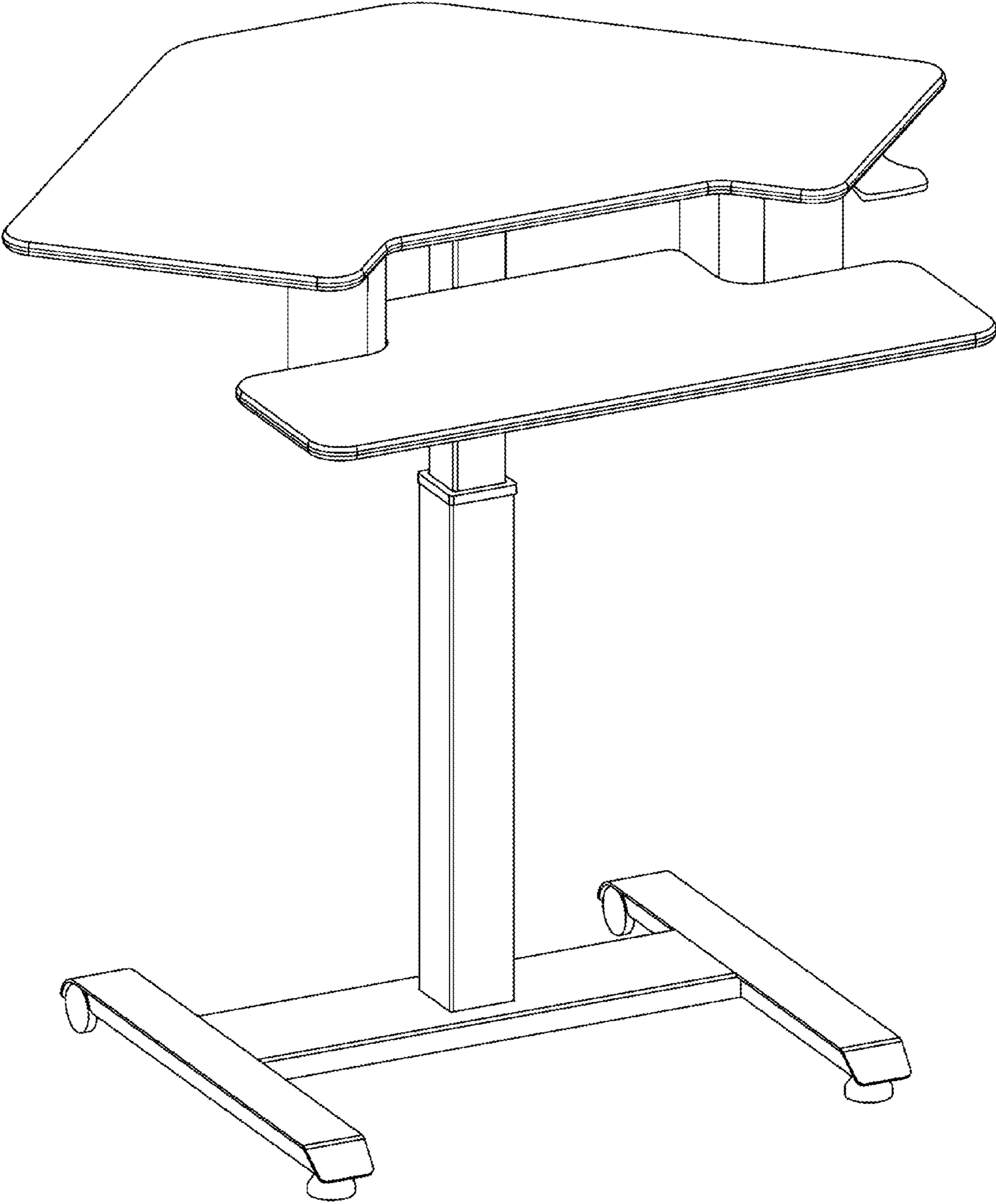


FIG.1

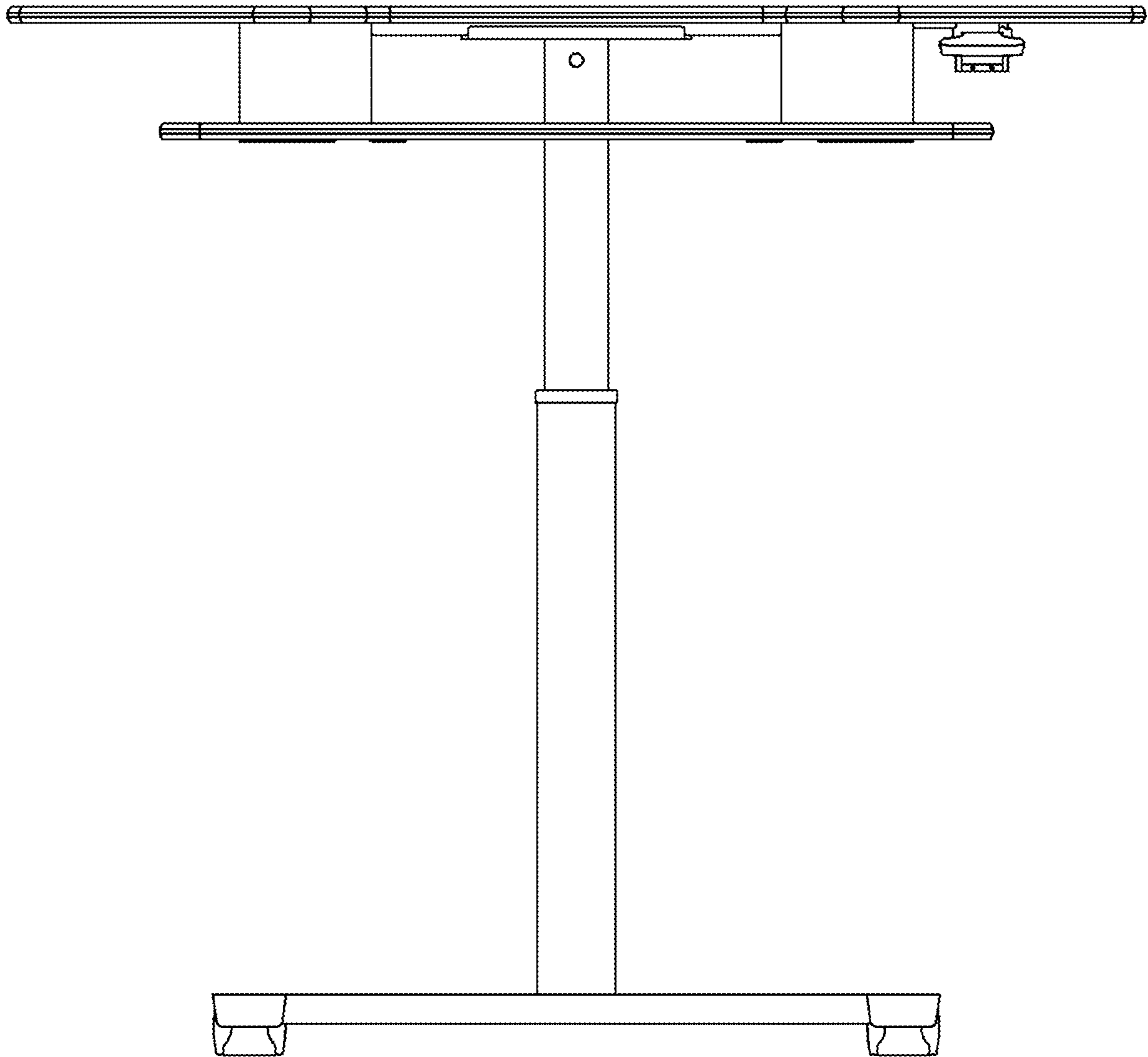


FIG.2

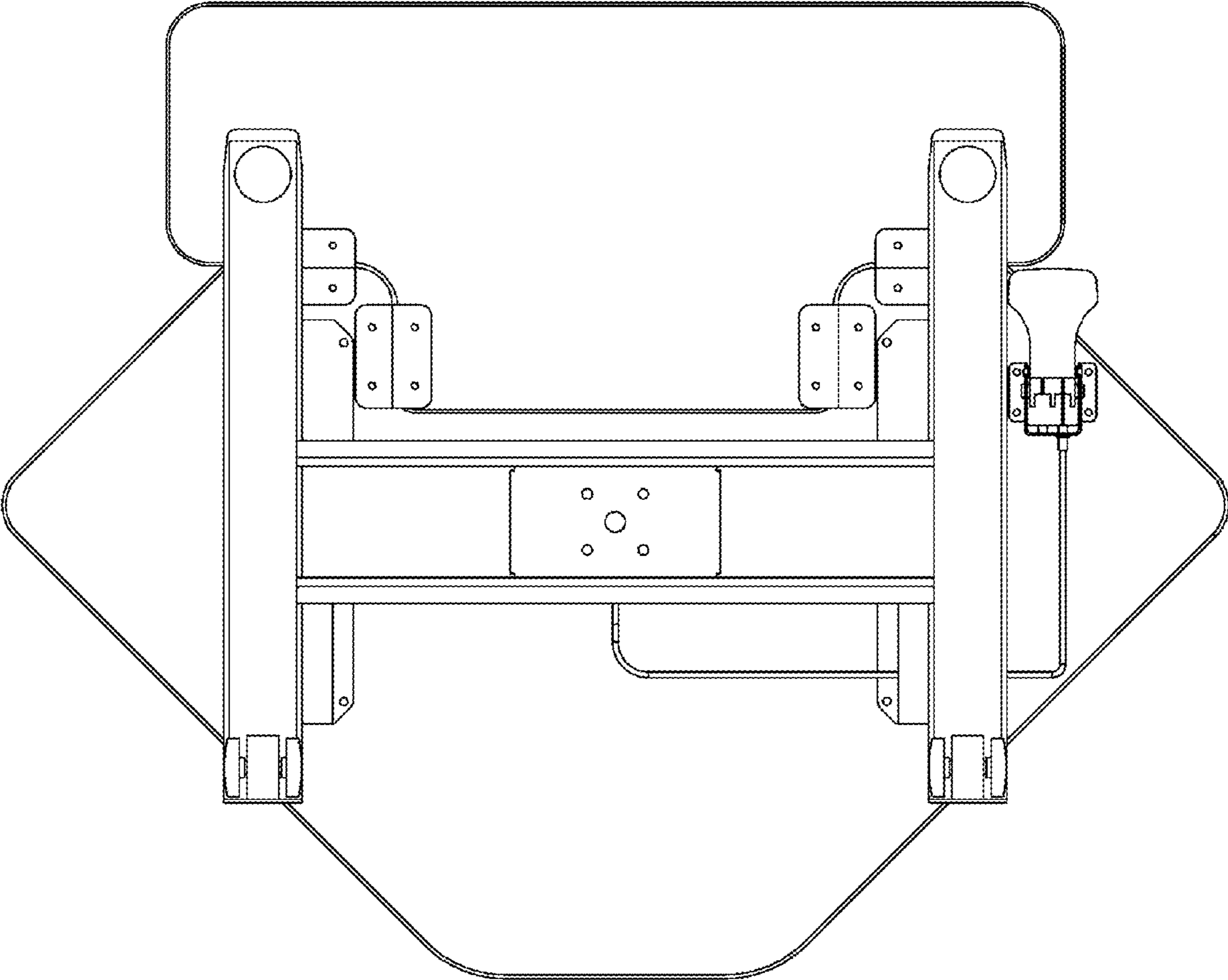


FIG.3

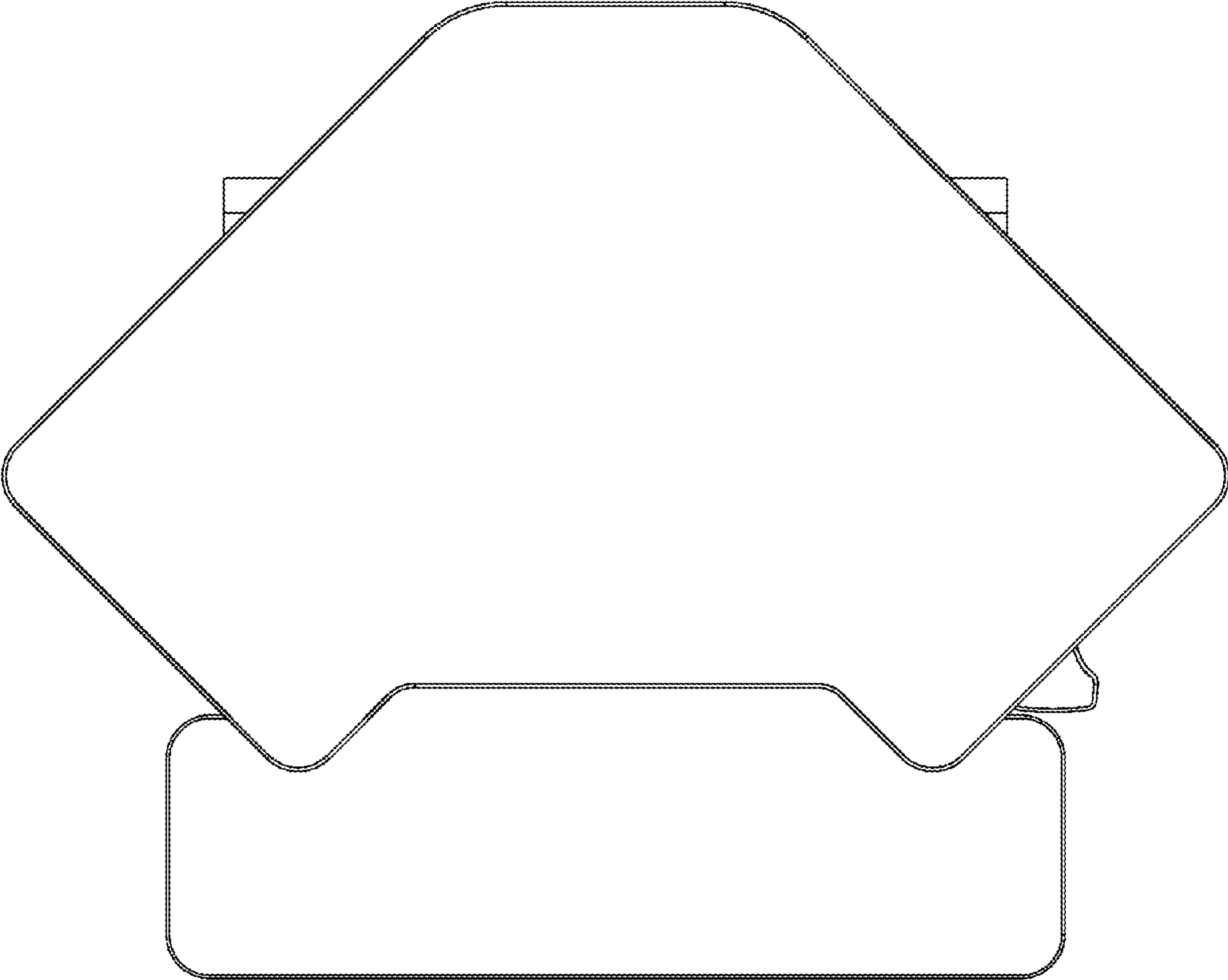


FIG.4

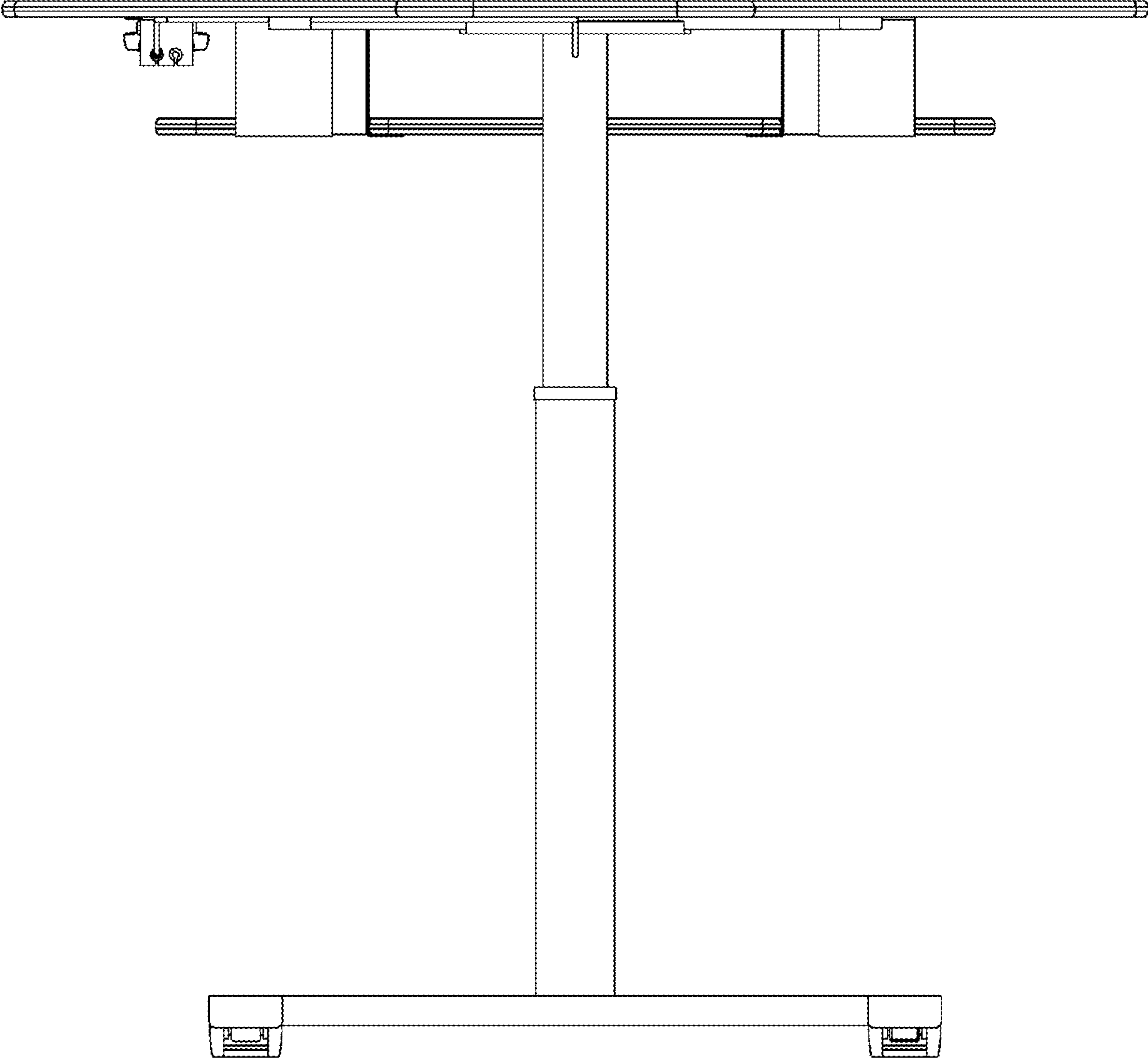


FIG.5

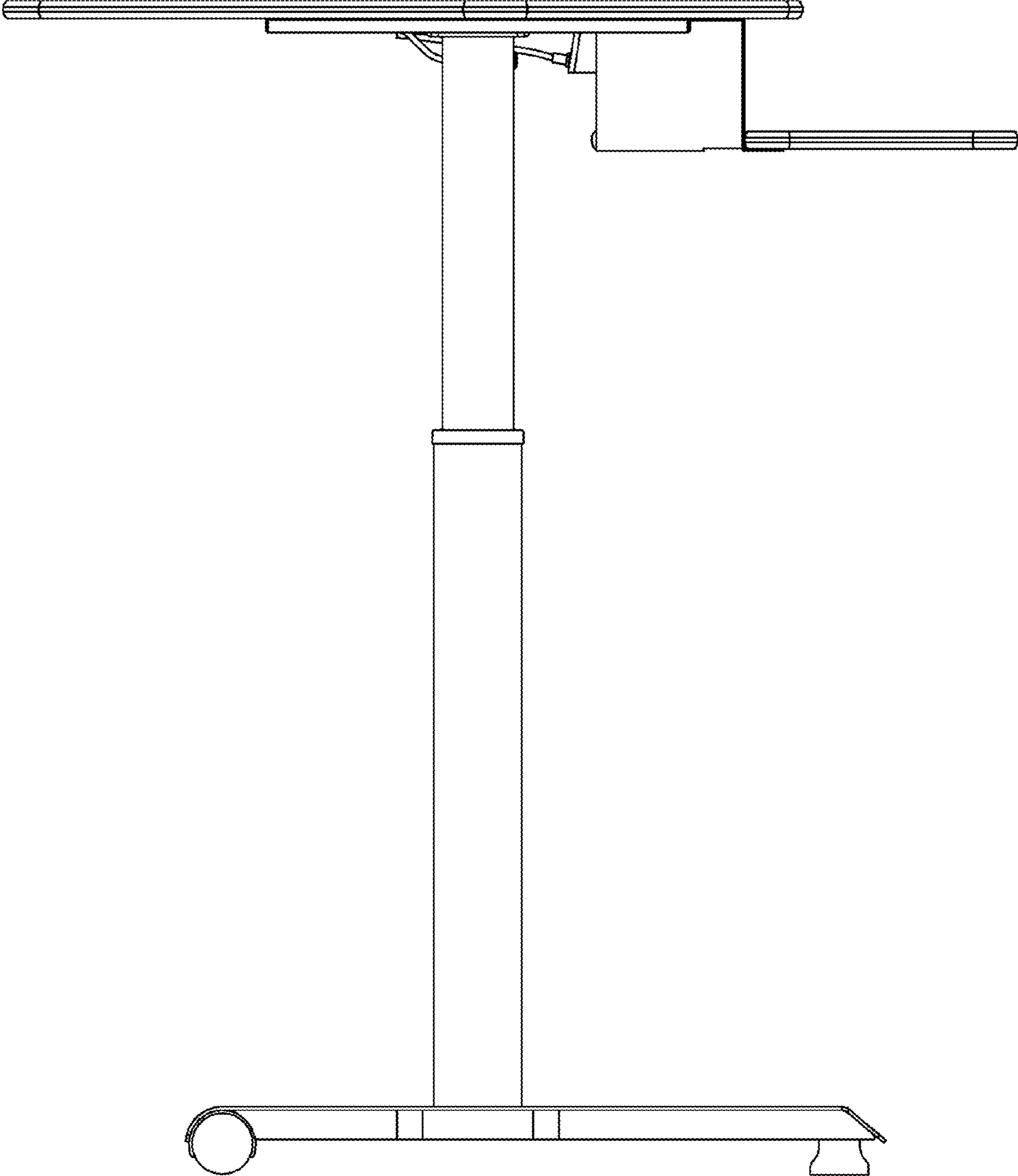


FIG.6

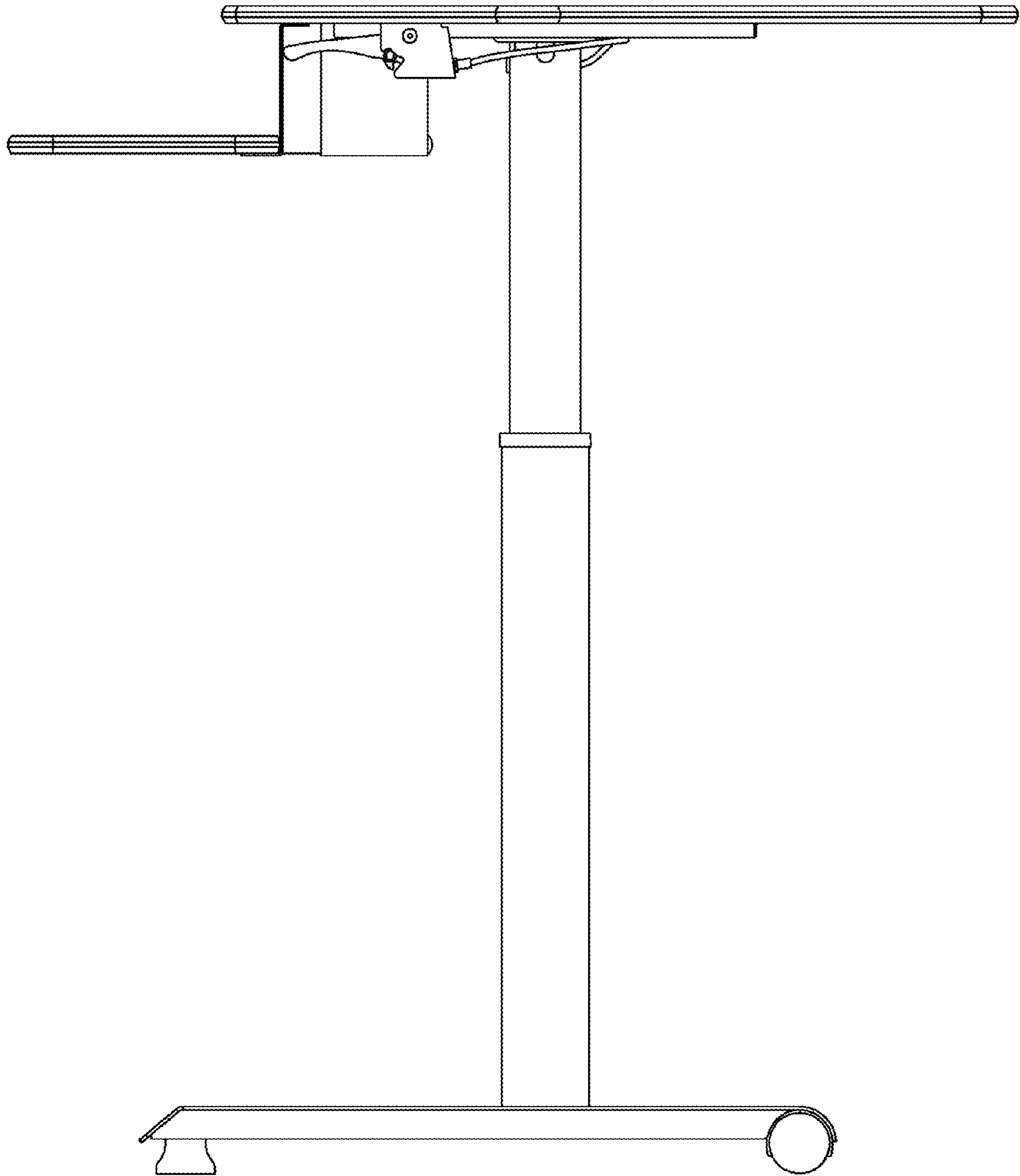


FIG.7