



US00D887180S

(12) **United States Design Patent**  
**Noble et al.**

(10) **Patent No.:** **US D887,180 S**  
(45) **Date of Patent:** **\*\* Jun. 16, 2020**

(54) **UTILITY DESK**

(71) Applicant: **Kansas State University Research Foundation**, Manhattan, KS (US)

(72) Inventors: **Tim de Noble**, Manhattan, KS (US); **Nathan Howe**, Eskeridge, KS (US); **Richard Thompson**, Manhattan, KS (US); **David Richter-O'Connell**, Manhattan, KS (US); **Lisa Shubert**, Wamego, KS (US)

(73) Assignee: **Kansas State University Research Foundation**, Manhattan, KS (US)

(\*\*) Term: **15 Years**

(21) Appl. No.: **29/602,623**

(22) Filed: **May 2, 2017**

(51) **LOC (12) Cl.** ..... **06-03**

(52) **U.S. Cl.**  
USPC ..... **D6/643**

(58) **Field of Classification Search**  
USPC ..... D6/640, 641, 642, 643, 643.1, 644, 645,  
D6/647, 648, 649, 650, 652, 652.1, 652.2,  
(Continued)

(56) **References Cited**

**U.S. PATENT DOCUMENTS**

D200,649 S \* 3/1965 Johnson ..... D6/642  
D232,009 S \* 7/1974 Schmitt ..... D6/652.2  
(Continued)

**OTHER PUBLICATIONS**

Cool DIY Computer Desk, posted at Shelterness.com, posted on Oct. 11, 2010, site visited Jul. 25, 2019. online, available from

internet: <https://www.shelterness.com/cool-diy-computer-desk-with-cord-management/> (Year: 2010).\*

*Primary Examiner* — Mary Ann Calabrese

*Assistant Examiner* — Catherine Ho

(74) *Attorney, Agent, or Firm* — Hovey Williams LLP

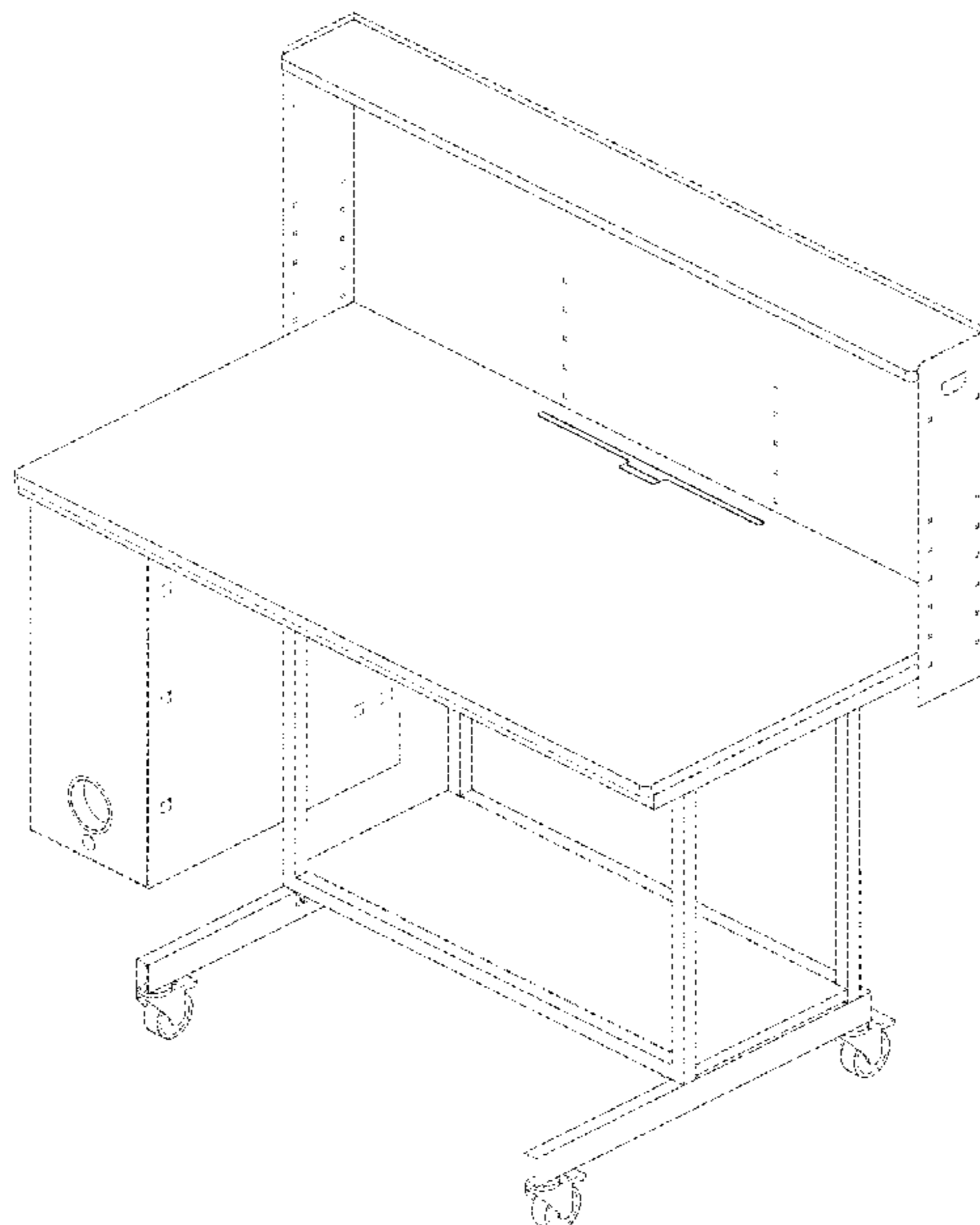
(57) **CLAIM**

The ornamental design for a utility desk, as shown and described.

**DESCRIPTION**

FIG. 1 is an upper front perspective view of the first embodiment of a utility desk, showing our new design; FIG. 2 is an upper perspective view of the rear of the utility desk of FIG. 1; FIG. 3 is a front elevation view of the utility desk of FIG. 1; FIG. 4 is a side elevation view of the utility desk of FIG. 1; FIG. 5 is a rear elevation view of the utility desk of FIG. 1; FIG. 6 is a side elevation view of the utility desk of FIG. 1; FIG. 7 is a top plan view of the utility desk of FIG. 1; FIG. 8 is a bottom plan view of the utility desk of FIG. 1; FIG. 9 is an upper front perspective view of the second embodiment of a utility desk, showing our new design; FIG. 10 is an upper perspective view of the rear of the utility desk of FIG. 9; FIG. 11 is a front elevation view of the utility desk of FIG. 9; FIG. 12 is a side elevation view of the utility desk of FIG. 9; FIG. 13 is a rear elevation view of the utility desk of FIG. 9; FIG. 14 is a top plan view of the utility desk of FIG. 9; and, FIG. 15 is a bottom plan view of the utility desk of FIG. 9. All broken line portion of the figure drawings is included to show portions of the article that form no part of the claimed design.

**1 Claim, 14 Drawing Sheets**



# US D887,180 S

Page 2

(58) **Field of Classification Search**

USPC ..... D6/653, 653.1, 656.16, 656.17, 700,  
D6/708.24, 656.19, 655.23, 654.23,  
D6/653.23, 682.1, 309, 667; D9/457  
CPC . A47F 3/00; A47F 3/142; A47B 57/00; A47B  
57/30; A47B 57/40; A47B 87/00; E04B  
2/744; E04B 2/7407; E04B 2/7416; E04B  
2002/7483

See application file for complete search history.

(56) **References Cited**

U.S. PATENT DOCUMENTS

3,964,606 A \* 6/1976 Hogg ..... B65D 5/0209  
206/395  
D283,094 S \* 3/1986 Strand ..... D6/654  
5,067,611 A \* 11/1991 Hagmann ..... B65D 75/366  
206/380  
5,168,988 A \* 12/1992 Johnnston ..... B42D 15/045  
206/0.81  
D368,388 S \* 4/1996 Schainholz ..... D6/644

D377,506 S \* 1/1997 Shaw ..... D20/43  
D408,732 S \* 4/1999 Gaffney ..... D9/415  
D416,289 S \* 11/1999 Mastrangelo ..... D20/22  
6,029,587 A \* 2/2000 Rozier, Jr. .... A47B 9/14  
108/147.21  
D458,046 S \* 6/2002 Citterio ..... D6/654.11  
D478,508 S \* 8/2003 Kumakura ..... D9/415  
D482,970 S \* 12/2003 Kumakura ..... D9/415  
D524,653 S \* 7/2006 Baumgarten ..... D9/457  
D547,097 S \* 7/2007 Bastian ..... D6/707  
D560,085 S \* 1/2008 Glass ..... D6/656.17  
D584,139 S \* 1/2009 Himeda ..... D9/415  
D615,401 S \* 5/2010 Ouimette ..... D20/22  
8,926,029 B2 \* 1/2015 Han ..... F16M 11/046  
312/108  
D725,945 S \* 4/2015 Delmedico ..... D6/656.19  
D781,695 S \* 3/2017 Schouten ..... D9/415  
D819,371 S \* 6/2018 Cao ..... D6/656.16  
D828,704 S \* 9/2018 Sakakibara ..... D6/642  
D862,128 S \* 10/2019 Hu ..... D6/656.11  
2001/0003264 A1 \* 6/2001 Shapton ..... A47B 5/06  
108/50.02

\* cited by examiner

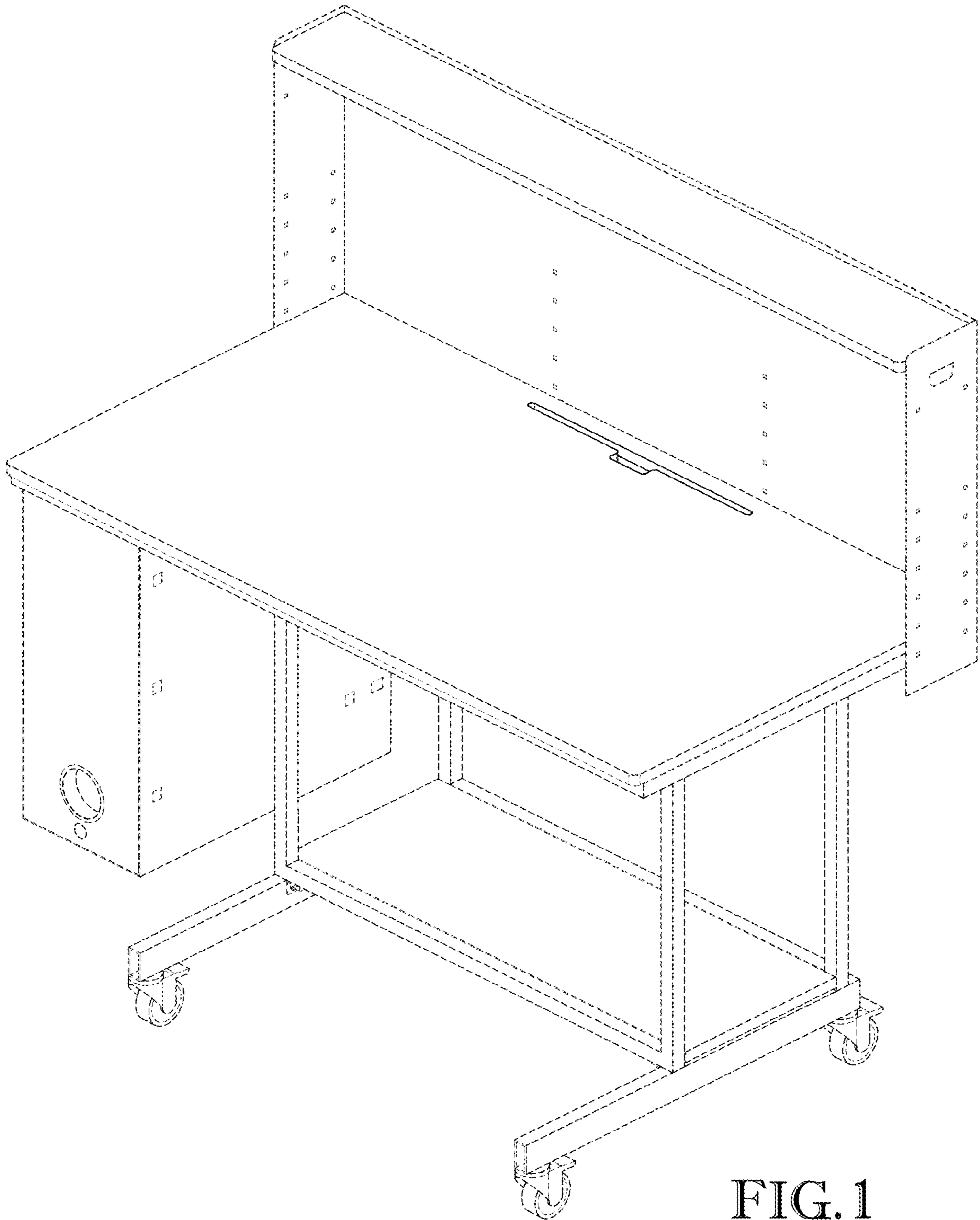


FIG. 1

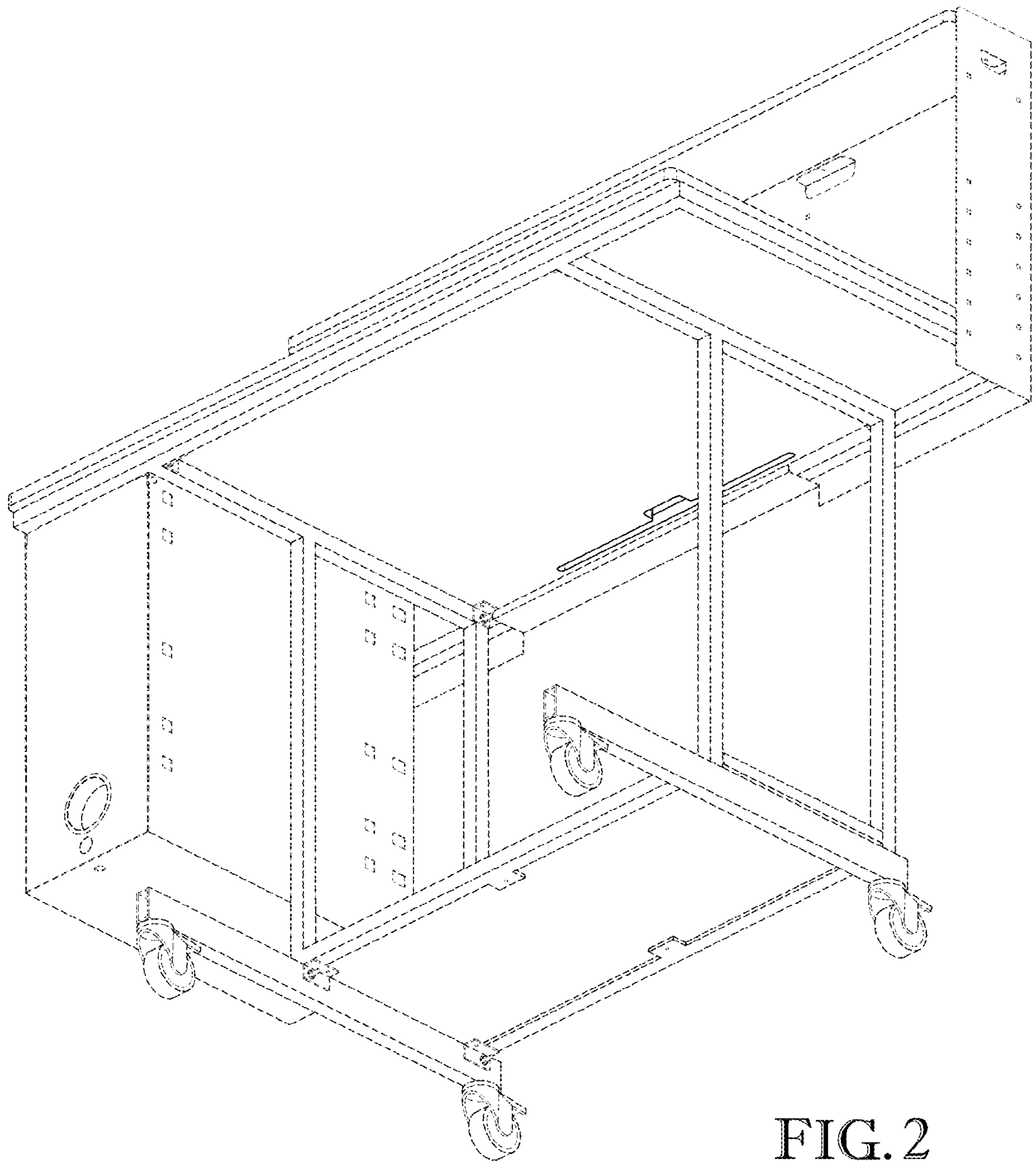


FIG. 2

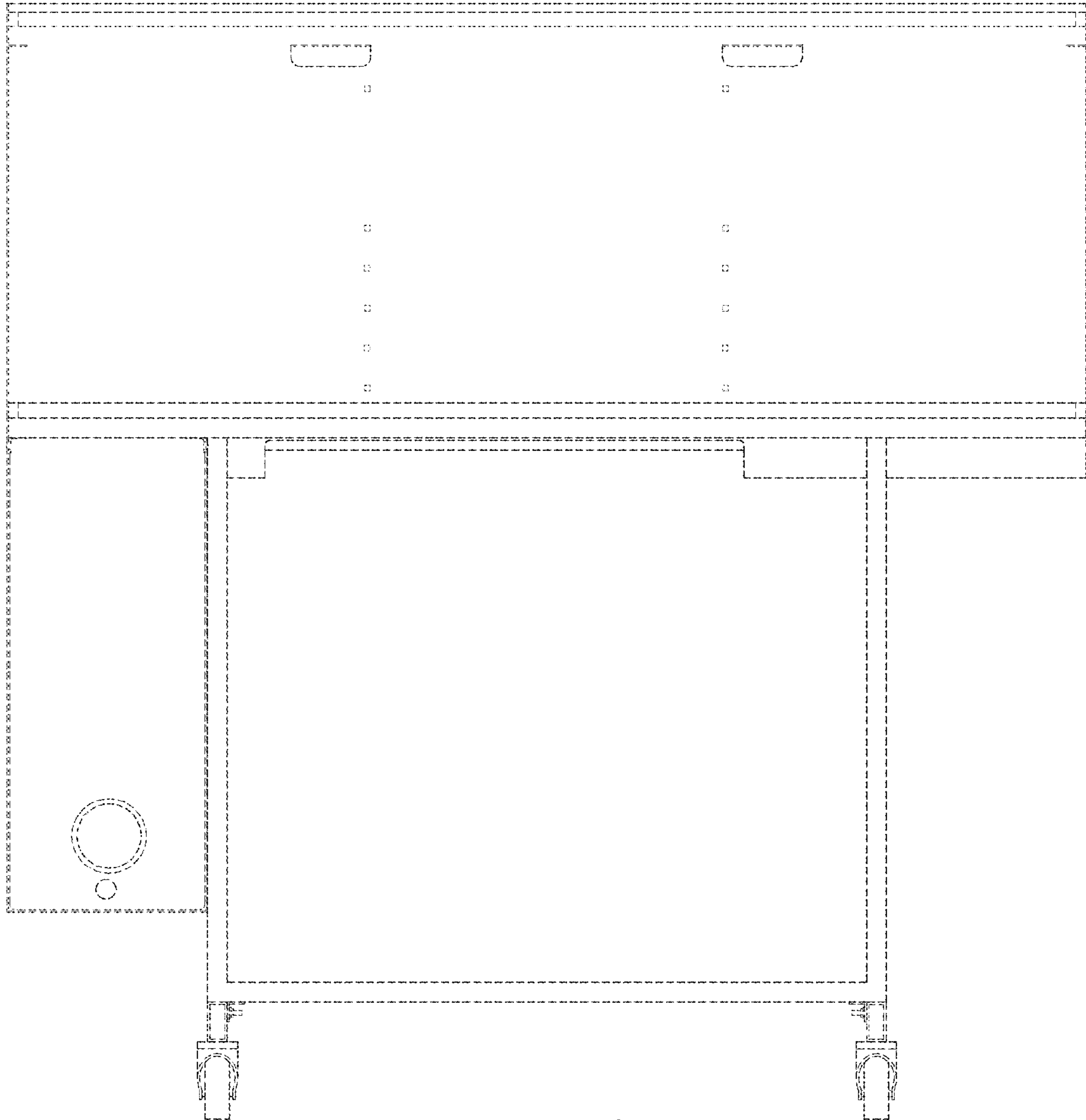


FIG. 3

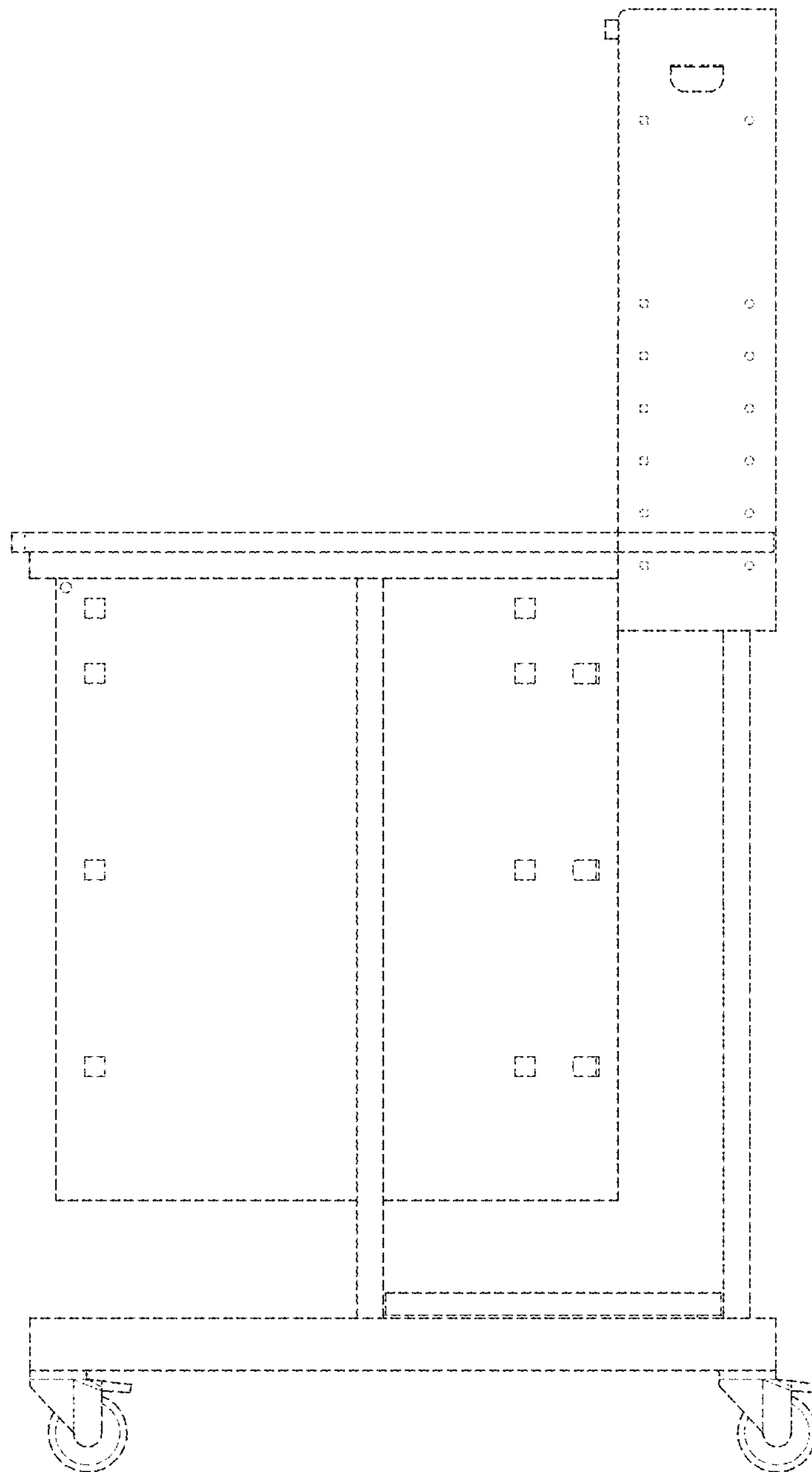


FIG. 4

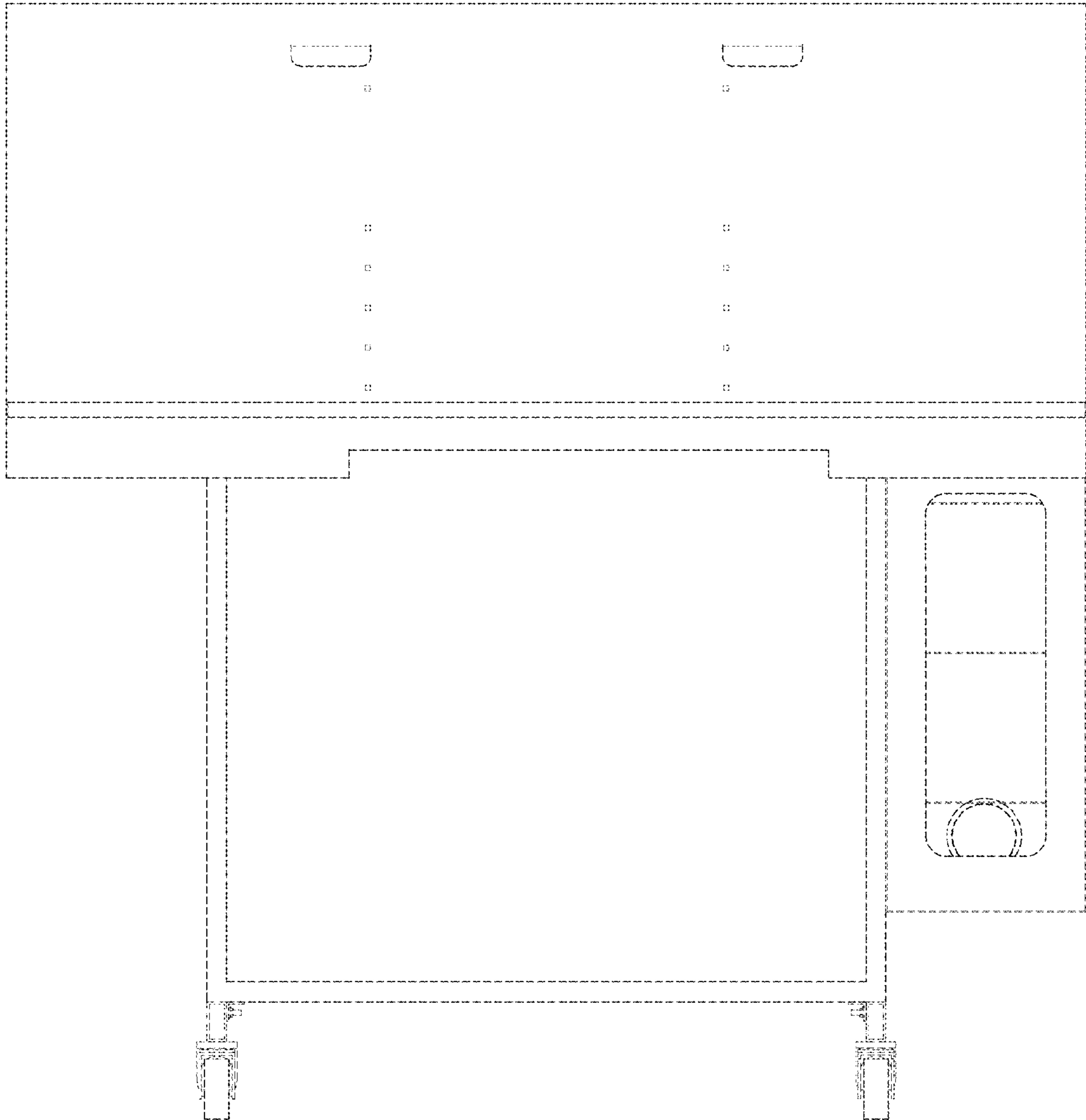


FIG. 5

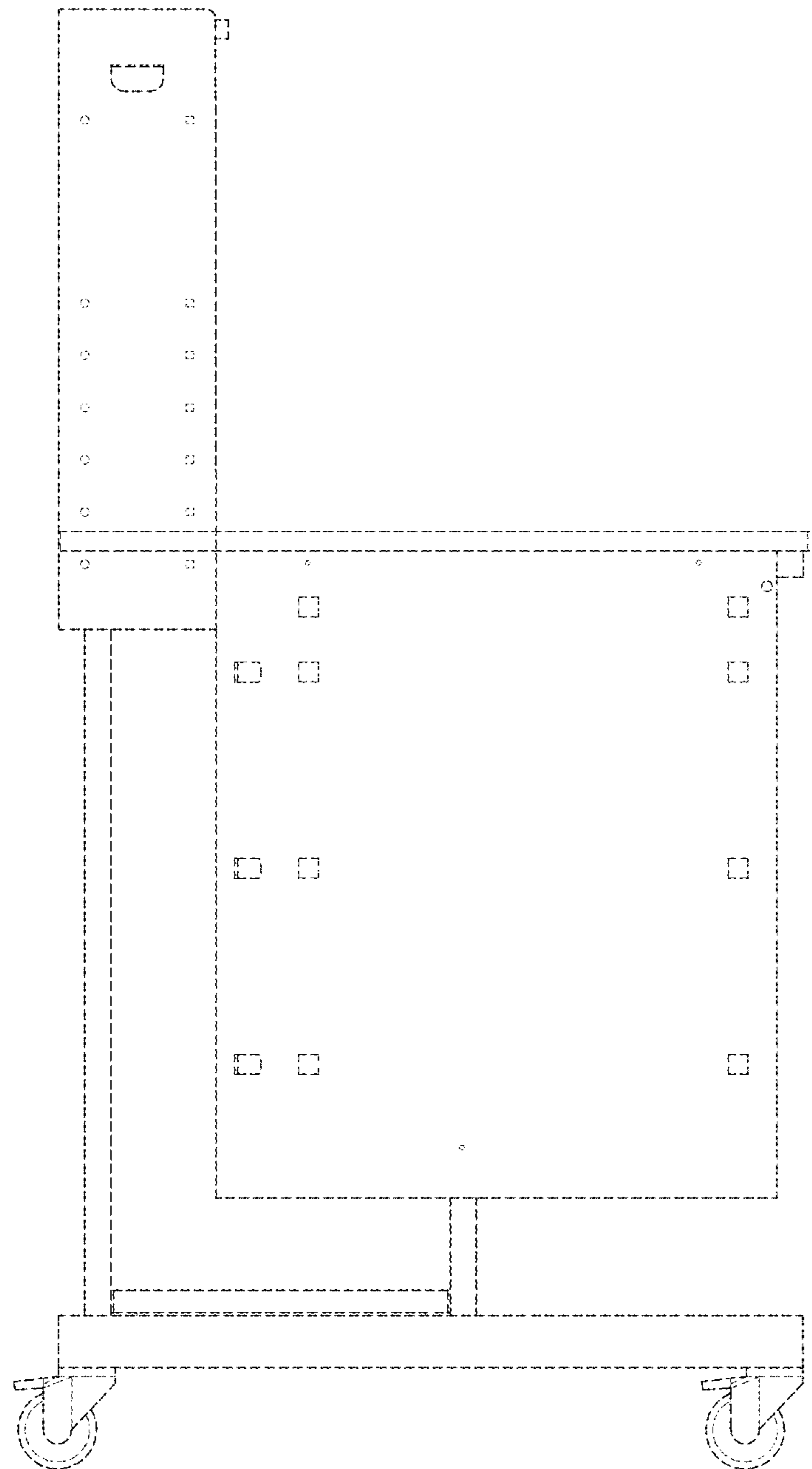


FIG. 6



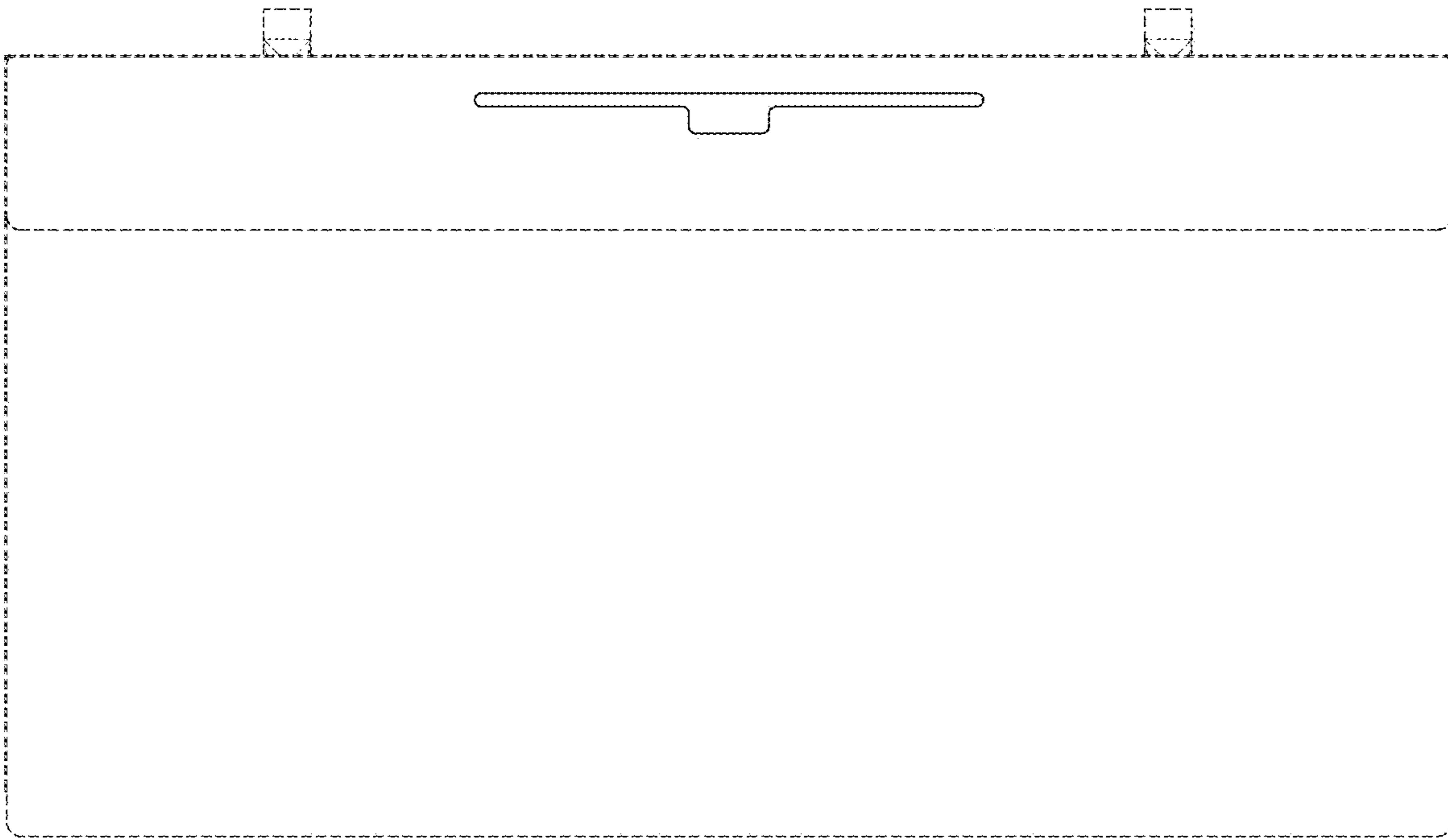


FIG. 7

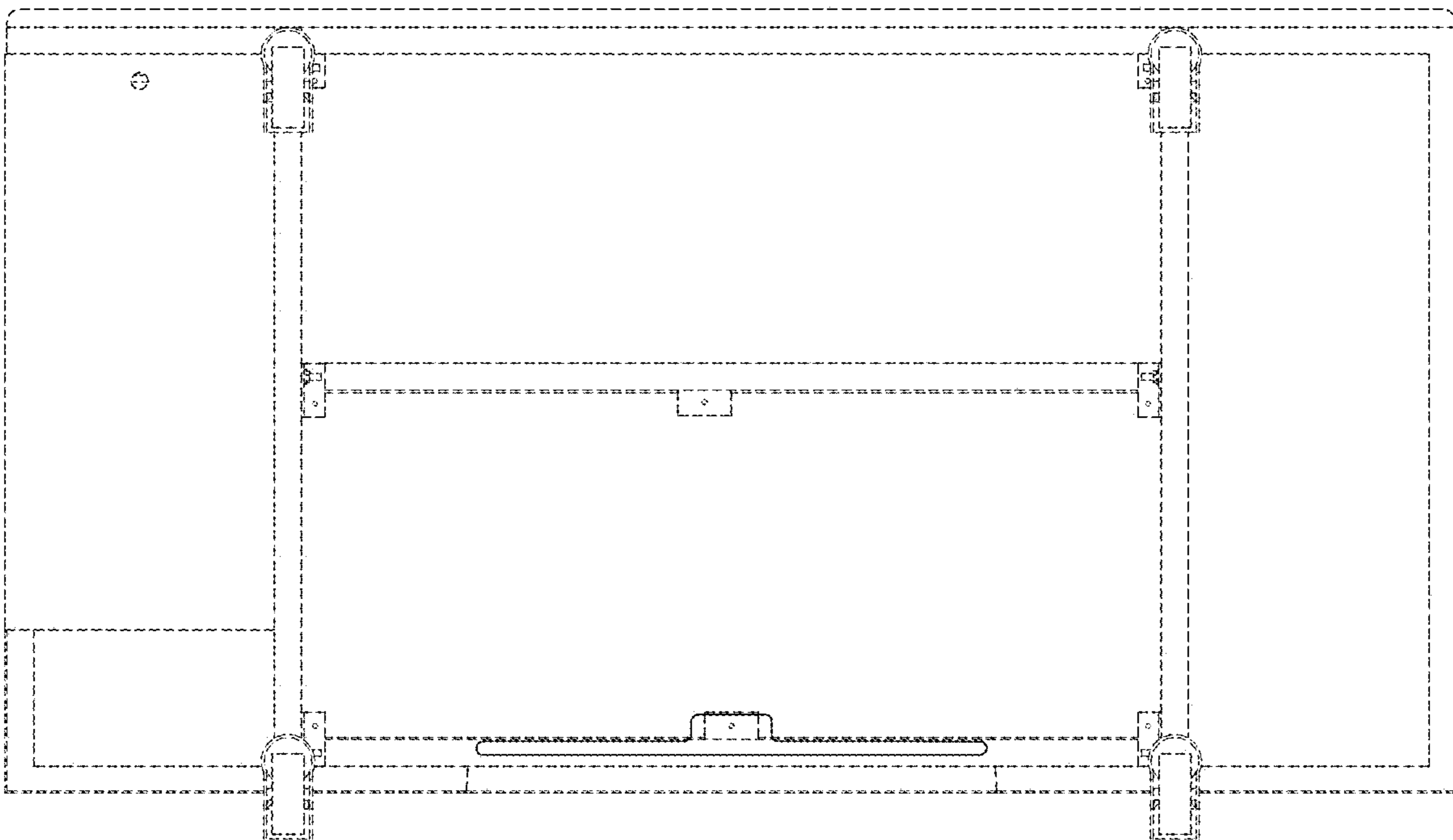
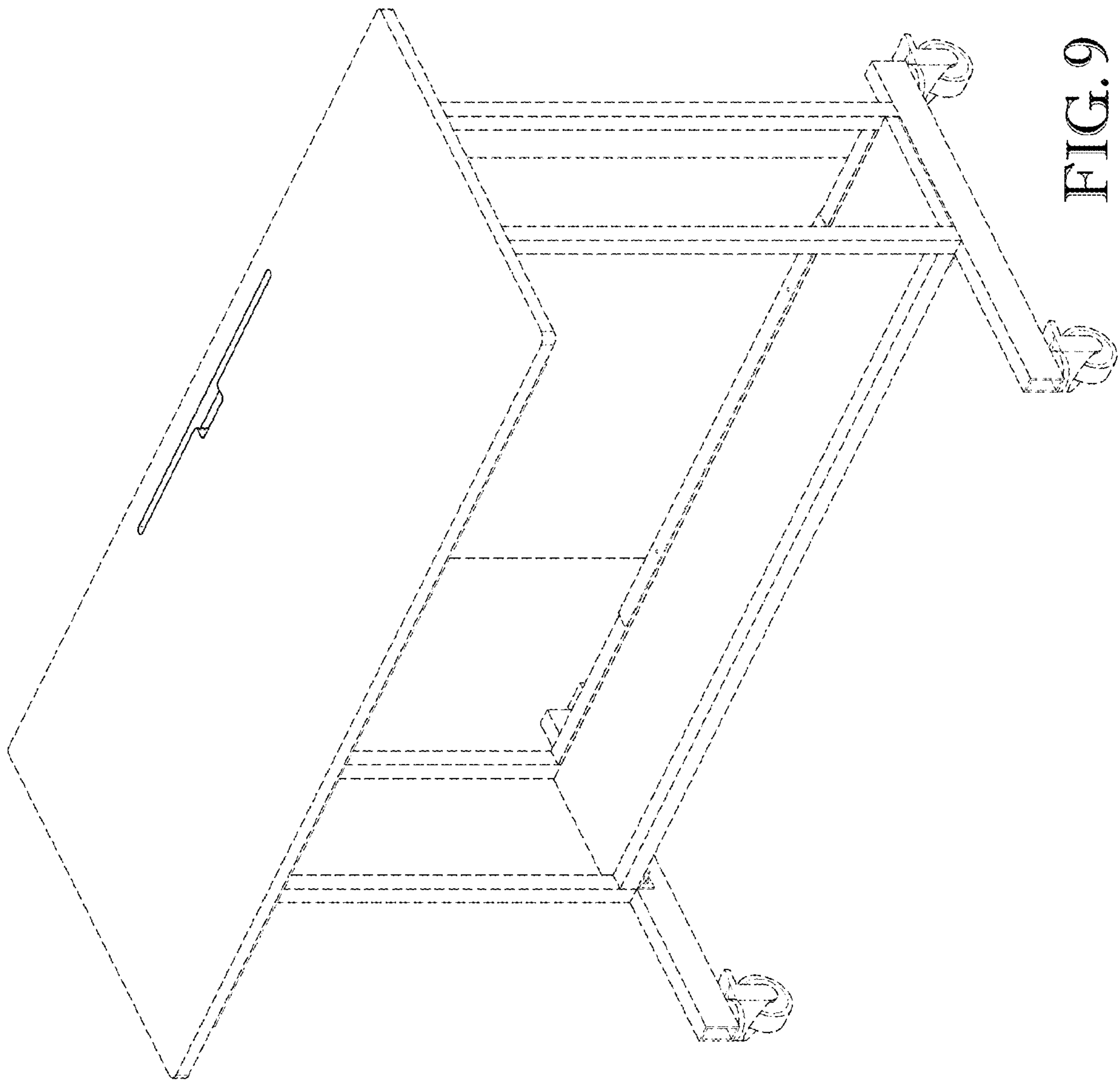


FIG. 8



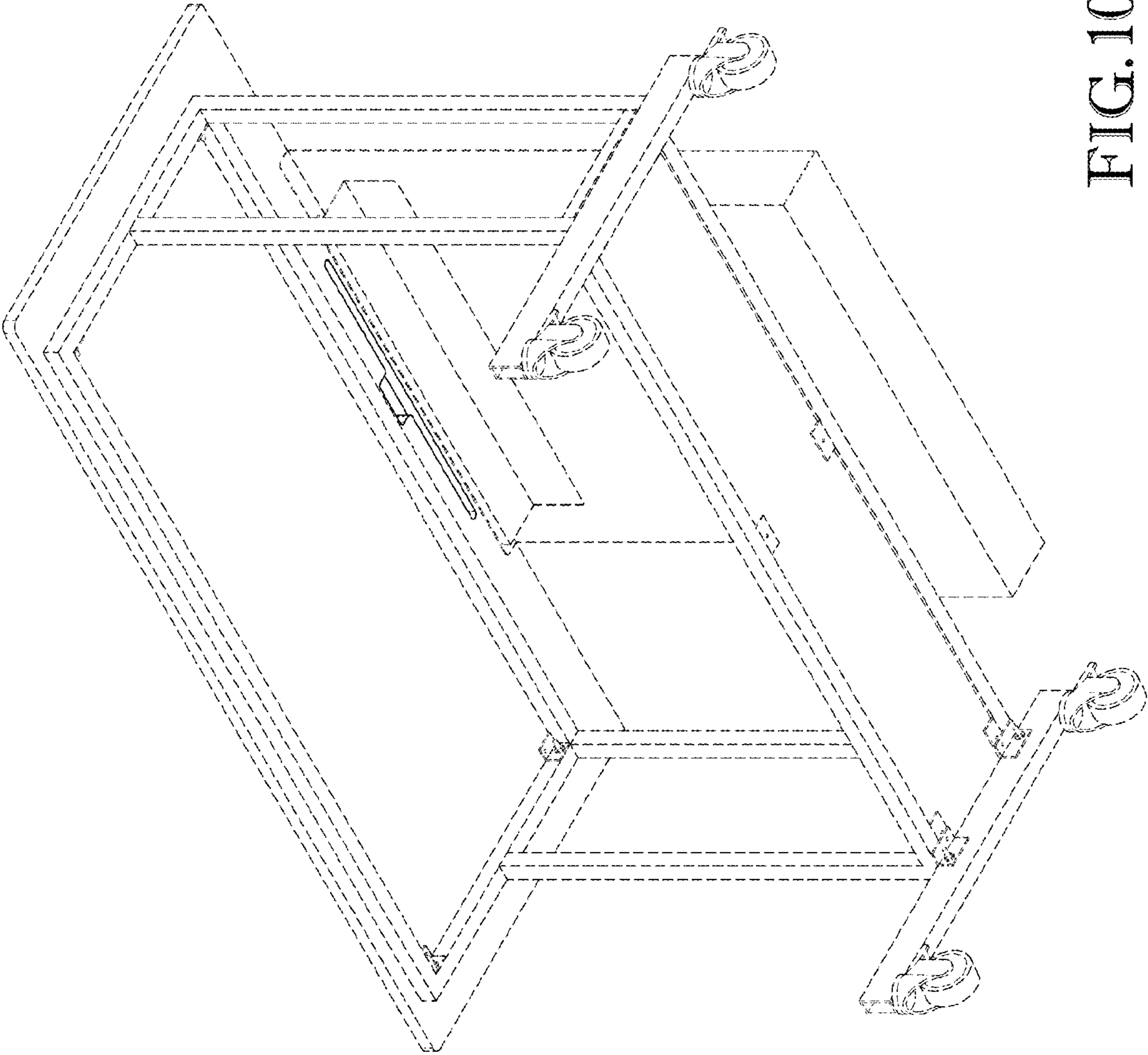


FIG. 10

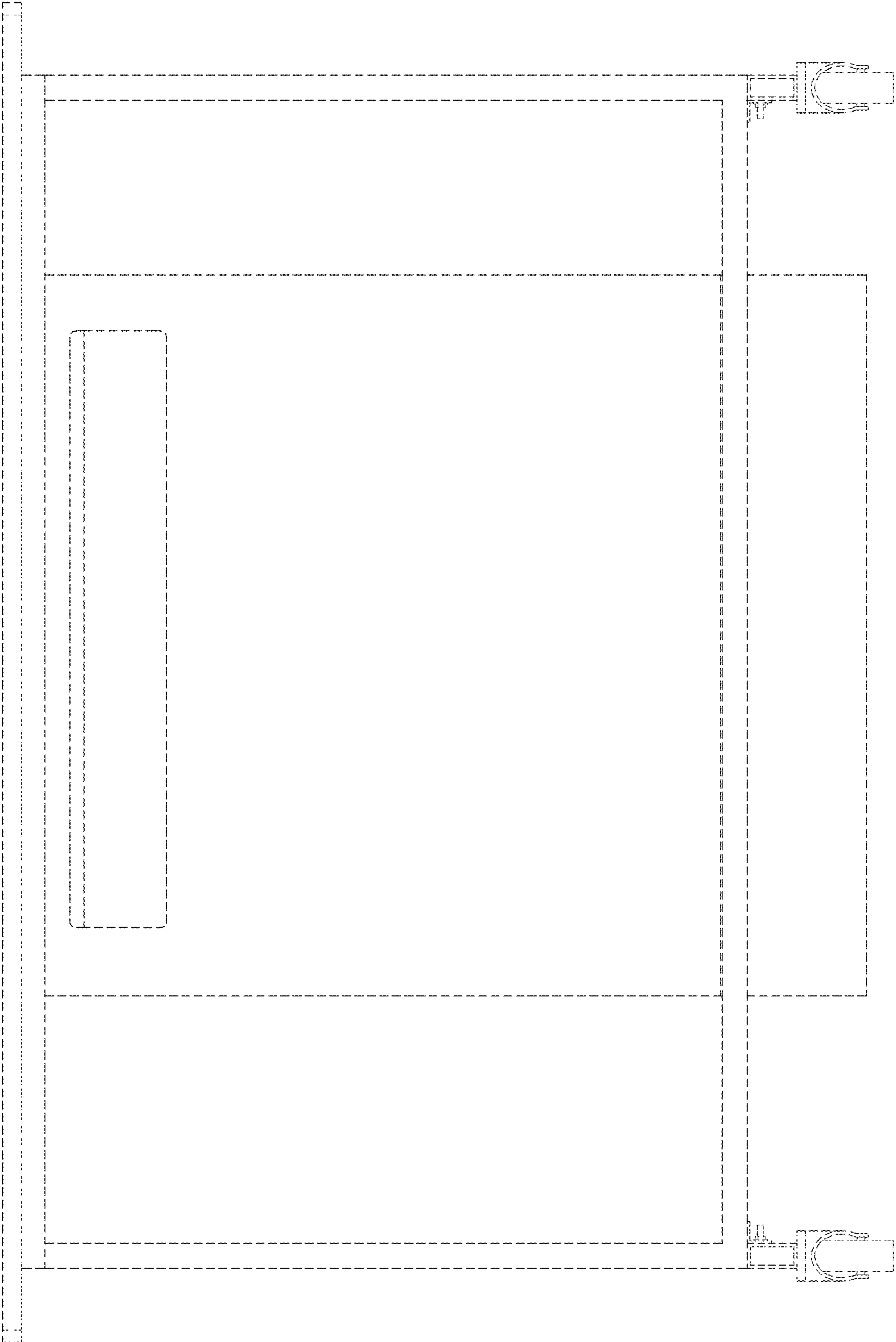


FIG. 11

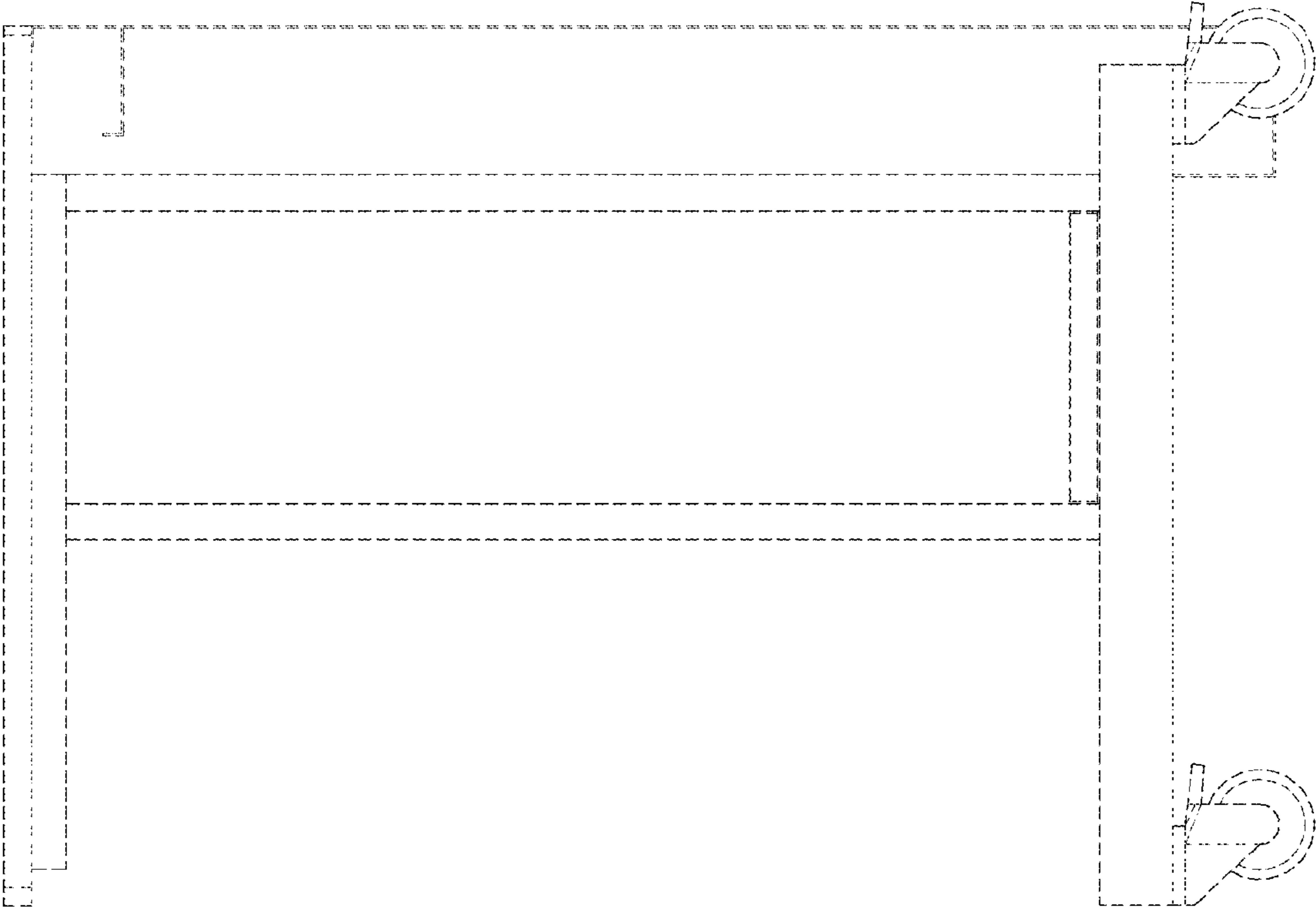


FIG. 12

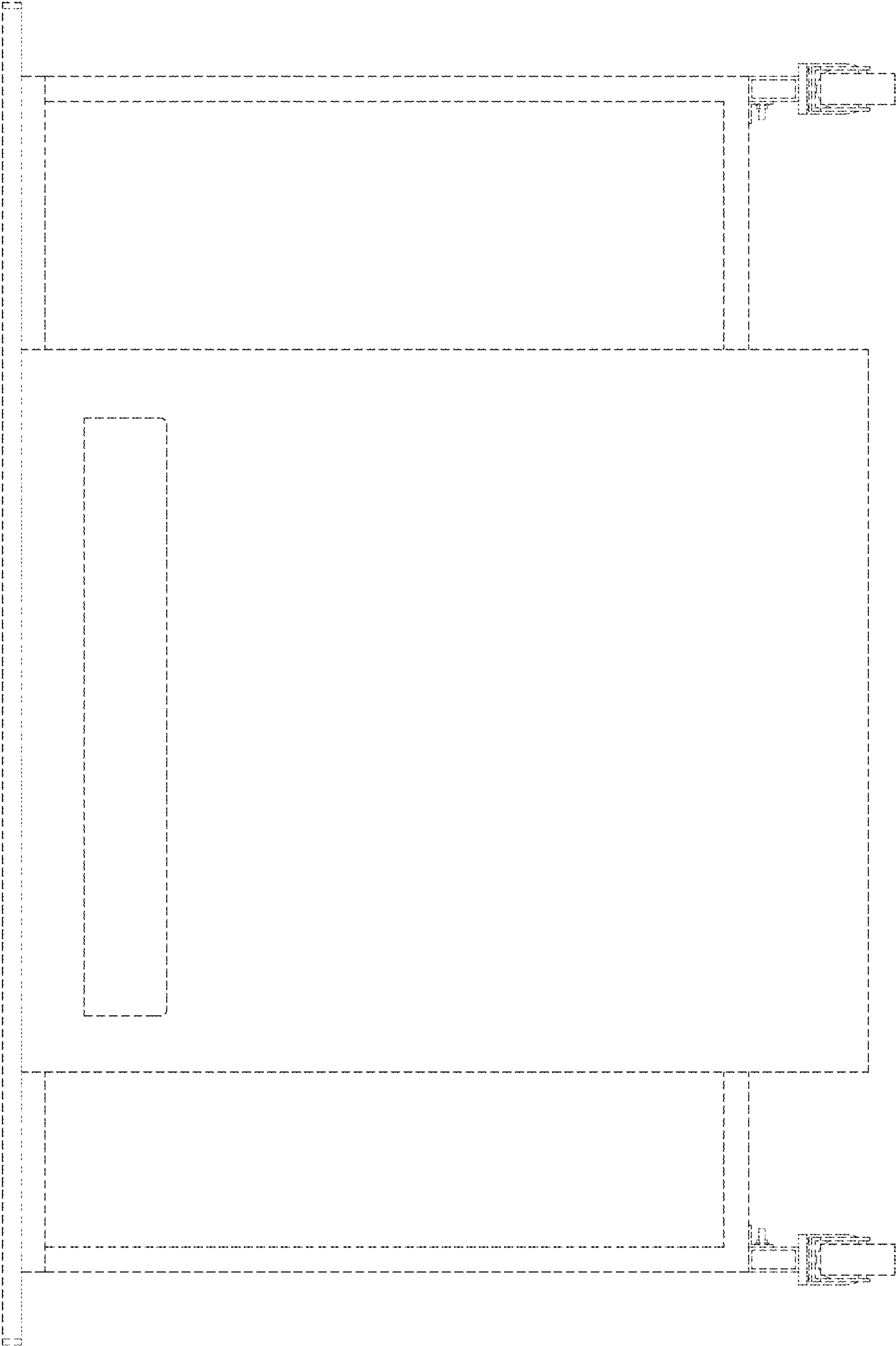


FIG. 13

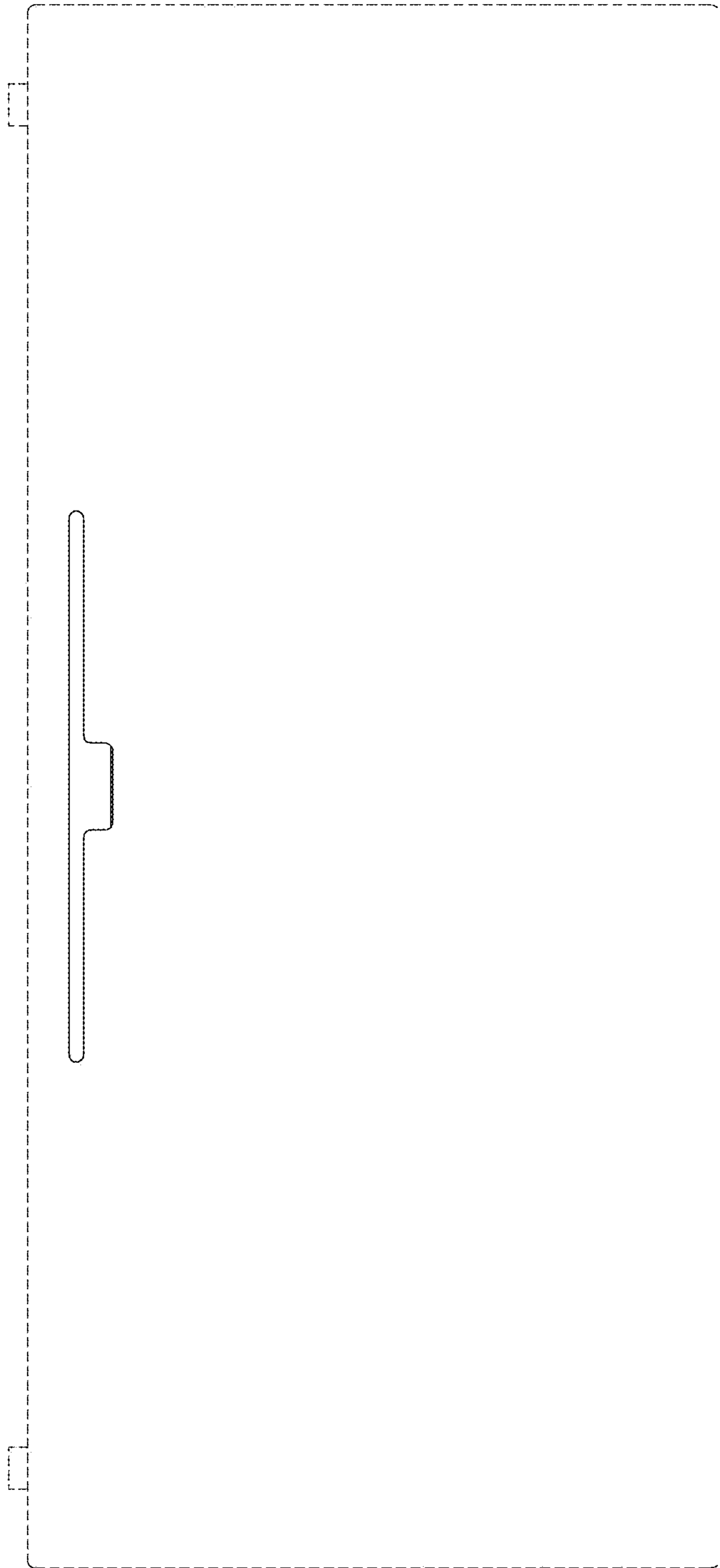


FIG. 14

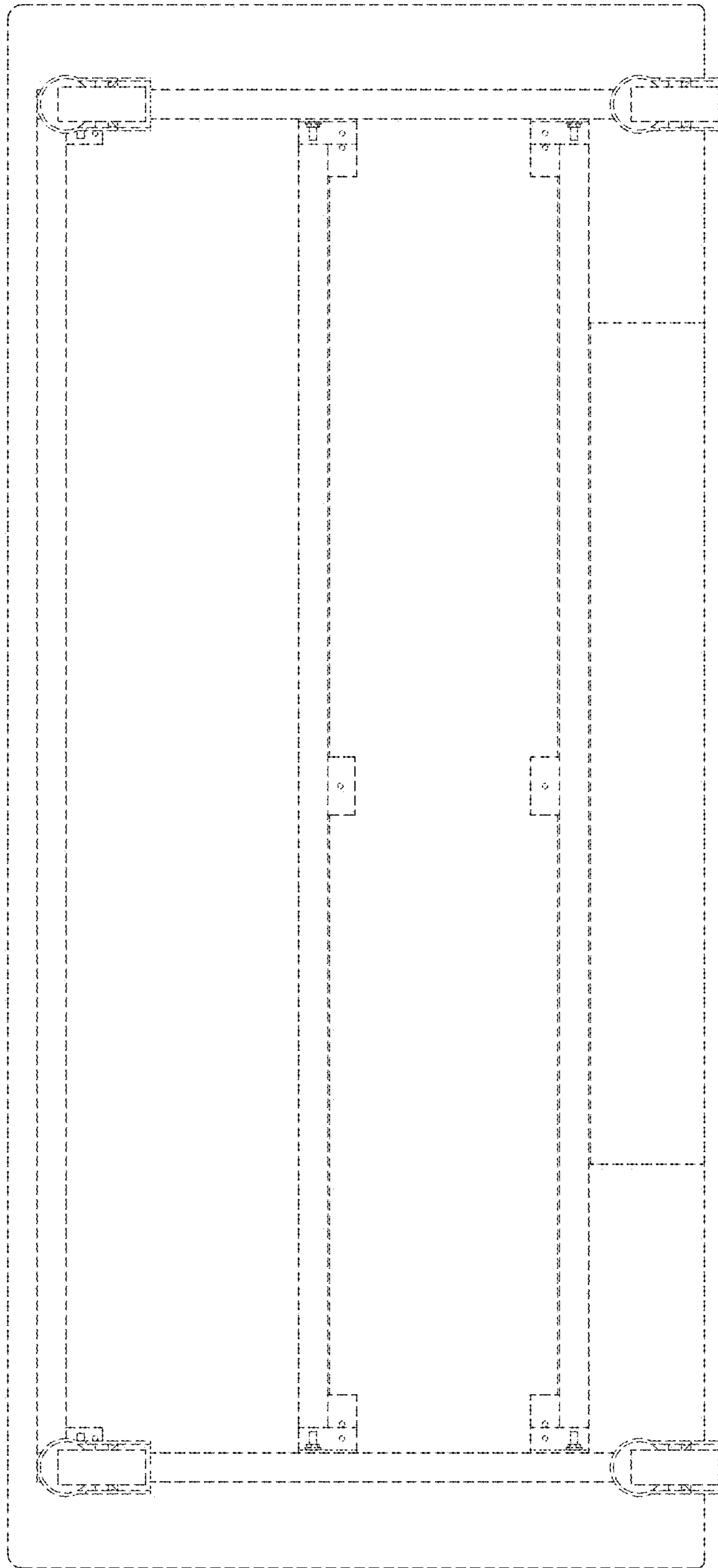


FIG. 15