



US00D887177S

(12) **United States Design Patent**
Amoyal et al.

(10) **Patent No.:** **US D887,177 S**
(45) **Date of Patent:** **** Jun. 16, 2020**

(54) **DETACHABLE BED COVERING**

(71) Applicants: **Justin Amoyal**, Ashburn, VA (US);
Josh Potler, N. Miami Beach, FL (US)

(72) Inventors: **Justin Amoyal**, Ashburn, VA (US);
Josh Potler, N. Miami Beach, FL (US)

(73) Assignee: **Florida Lis, Inc.**, Ft. Lauderdale, FL (US)

(**) Term: **15 Years**

(21) Appl. No.: **29/629,942**

(22) Filed: **Dec. 18, 2017**

(51) **LOC (12) Cl.** **06-13**

(52) **U.S. Cl.**
USPC **D6/603**

(58) **Field of Classification Search**
USPC D6/596, 602, 603
CPC A47G 9/02; A47G 9/0207; A47G 9/0238
See application file for complete search history.

(56) **References Cited**

U.S. PATENT DOCUMENTS

1,547,085	A *	7/1925	Tucker	A47G 9/0207
					2/69.5
3,508,285	A *	4/1970	Marquette	A47G 9/023
					5/486
5,713,089	A *	2/1998	Ferrante	A47G 9/0207
					5/486
6,311,347	B1 *	11/2001	Limardi	A47G 9/0223
					5/482
7,676,864	B2 *	3/2010	Lee	A47G 9/0207
					5/482
D623,381	S *	9/2010	Flannery	D2/728
D628,424	S *	12/2010	Duffey	D6/602
D728,274	S *	5/2015	Landon	D6/602
2003/0217411	A1 *	11/2003	Bradley	A47G 9/023
					5/486

(Continued)

Primary Examiner — R. Johnson

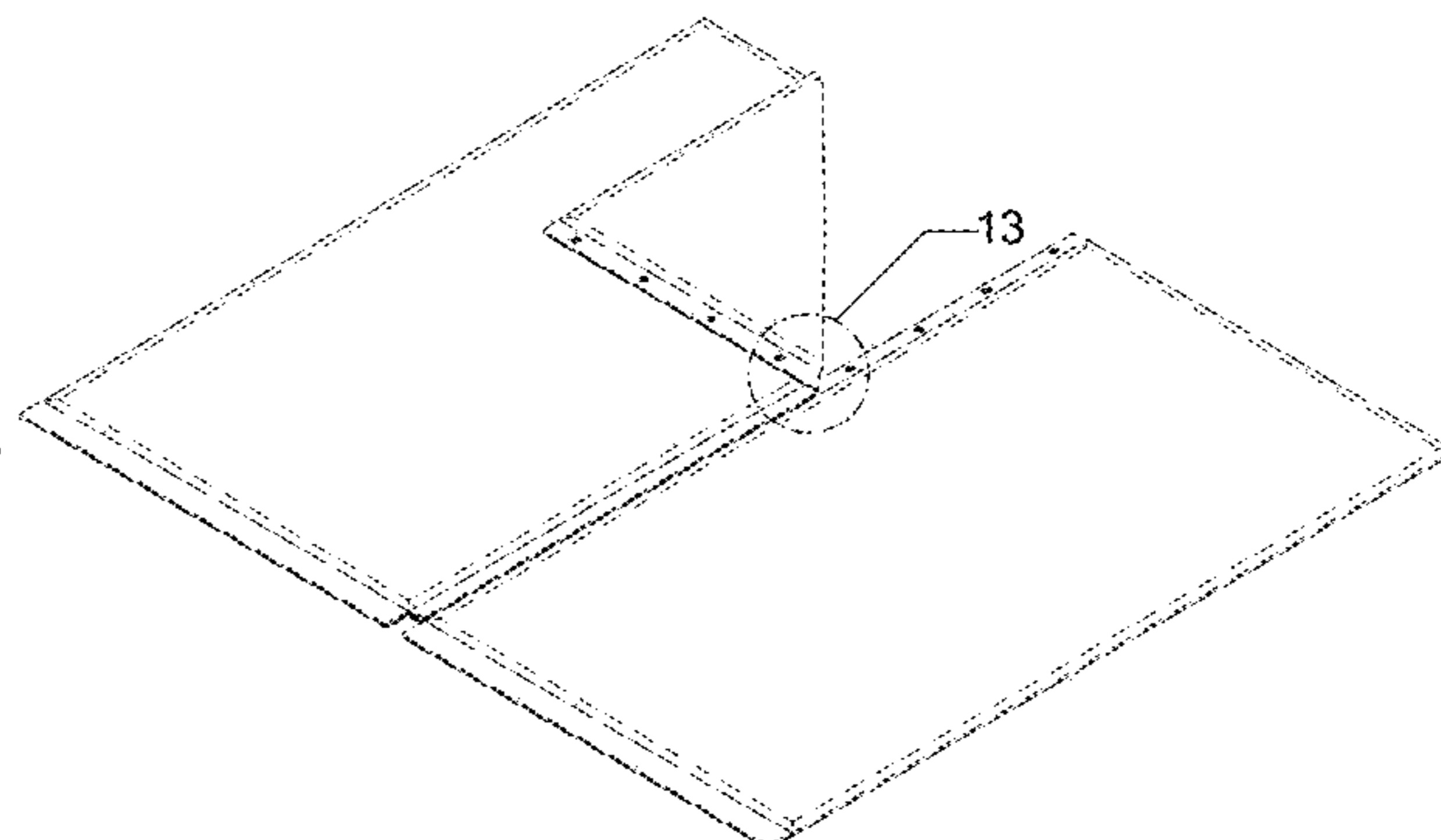
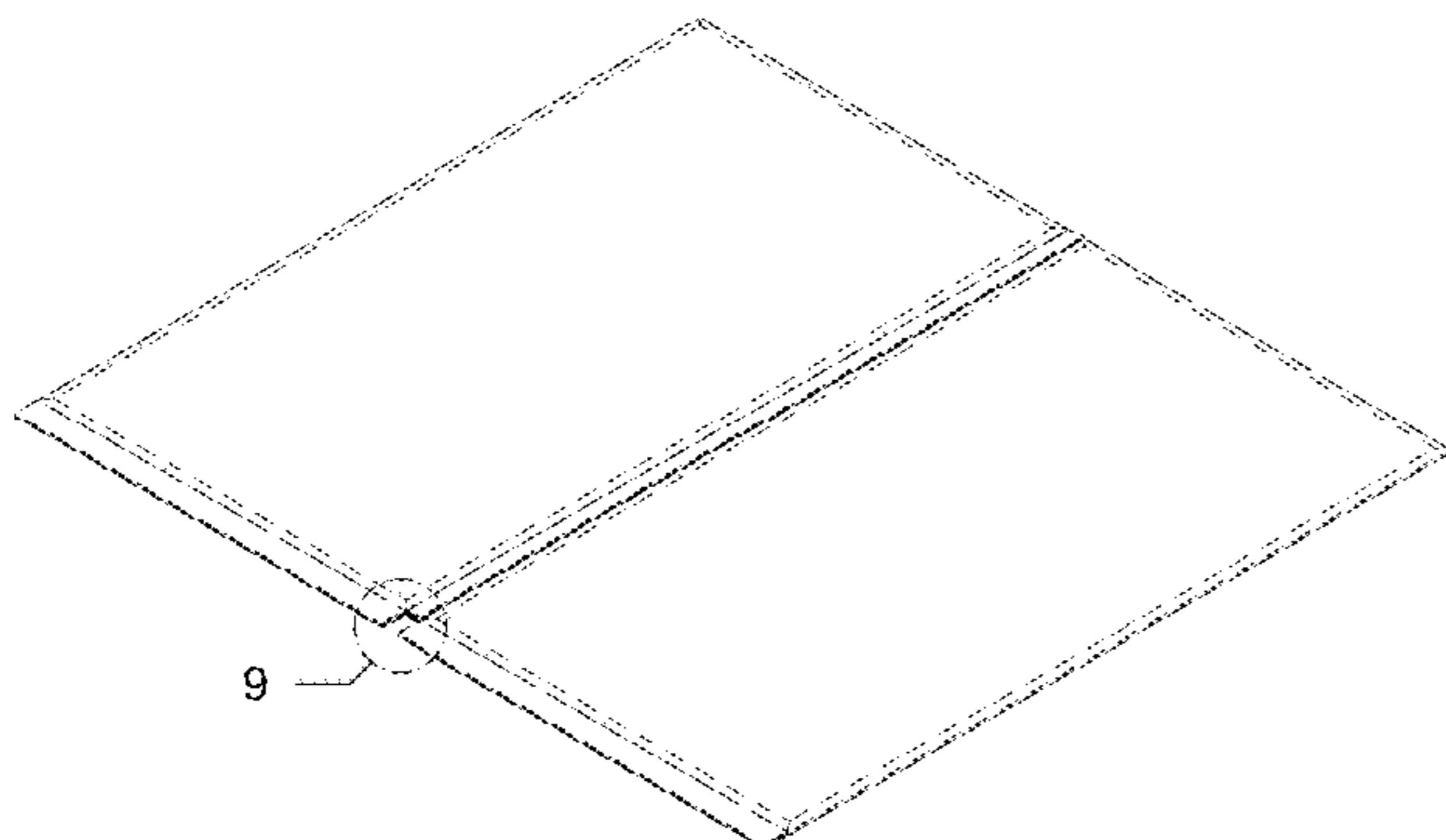
(57) **CLAIM**

The ornamental design for a detachable bed covering, as shown and described.

DESCRIPTION

FIG. 1 is a top, isometric view of a detachable bed covering showing our new design;
 FIG. 2 is a bottom, rear isometric view thereof;
 FIG. 3 is a front elevation view thereof;
 FIG. 4 is a rear elevation view thereof;
 FIG. 5 is a left side elevation view thereof;
 FIG. 6 is a right side elevation view thereof;
 FIG. 7 is a top plan view thereof;
 FIG. 8 is a bottom plan view thereof;
 FIG. 9 is an enlarged view thereof, taken from a section in FIG. 1;
 FIG. 10 is an enlarged view thereof, taken from a section in FIG. 2;
 FIG. 11 is a top, front, isometric view showing the components of the bed covering partially detached;
 FIG. 12 is a bottom, rear, isometric view thereof, showing the components of bed covering partially detached;
 FIG. 13 is an enlarged view thereof, taken from a section in FIG. 11, showing the components of the bed covering partially detached;
 FIG. 14 is a top, front, isometric view showing the two components of the bed covering completely detached;
 FIG. 15 is a bottom, rear, isometric view, showing the two components of the bed covering completely detached;
 FIG. 16 is an enlarged view thereof, taken from a section in FIG. 14, showing the two components of the bed covering completely detached; and,
 FIG. 17 is an enlarged view thereof, taken from a section, in FIG. 15, showing the two components of the bed covering completely detached.
 The broken lines indicate the enlarged sections of the design and form no part of the claim.

1 Claim, 15 Drawing Sheets



(56)

References Cited

U.S. PATENT DOCUMENTS

2006/0031987 A1* 2/2006 Stanfield A47G 9/0207
5/486
2012/0167305 A1* 7/2012 Davis A47G 9/0207
5/486
2016/0135622 A1* 5/2016 Zhou A47G 9/0223
5/413 R
2019/0059618 A1* 2/2019 Jovic A47G 9/04

* cited by examiner

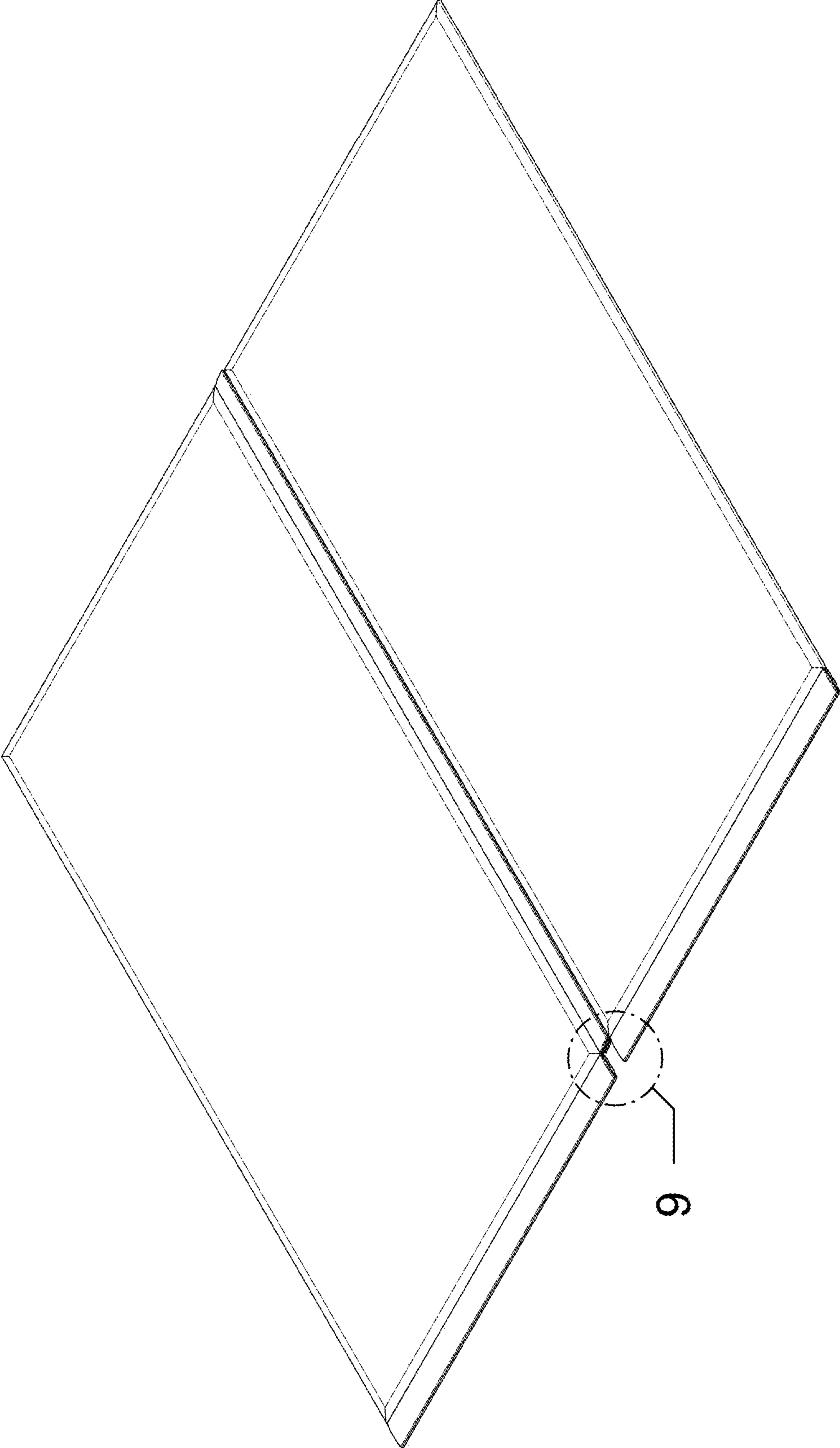


FIG. 1

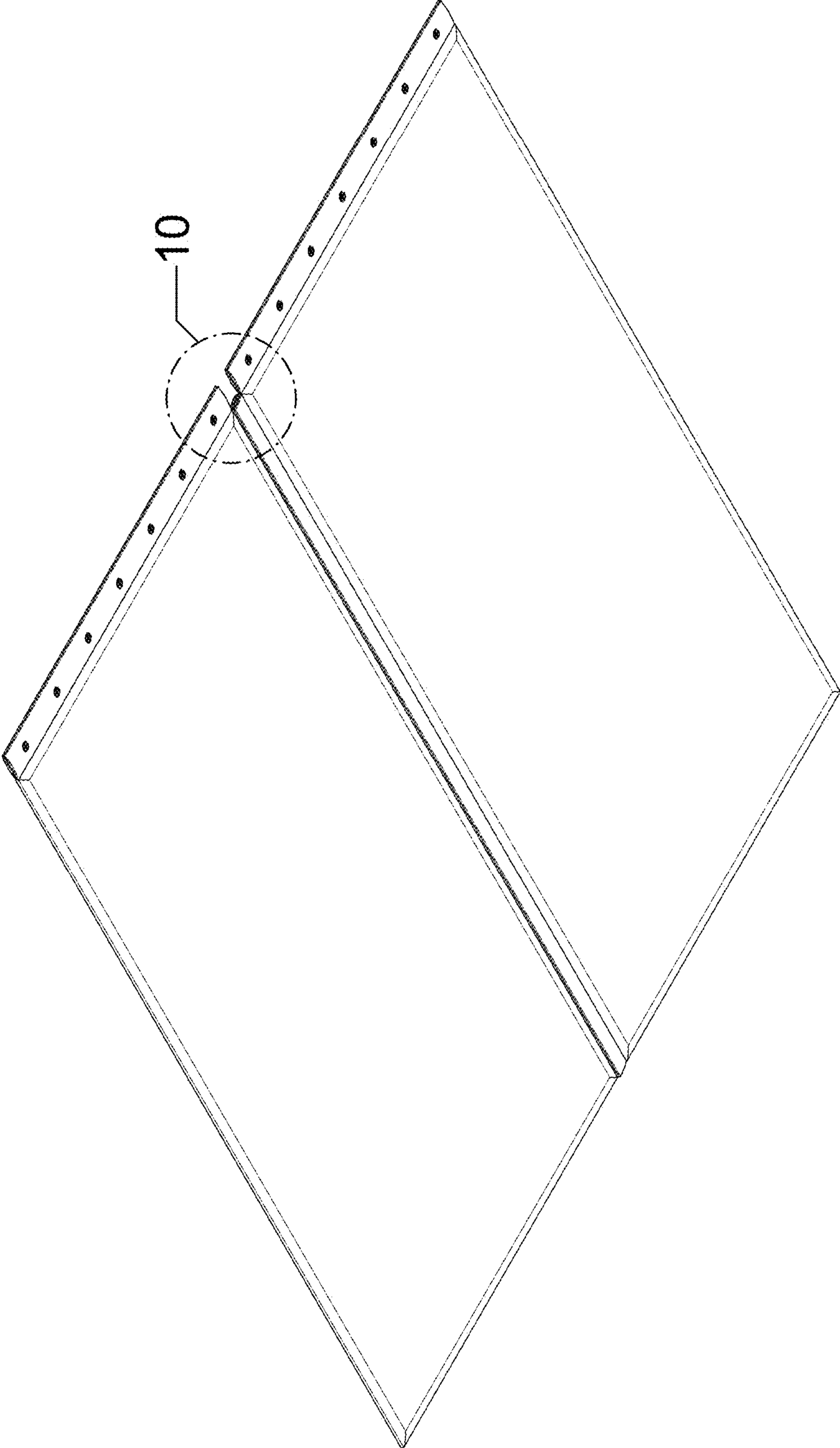


FIG. 2



FIG. 3



FIG. 4



FIG. 5



FIG. 6

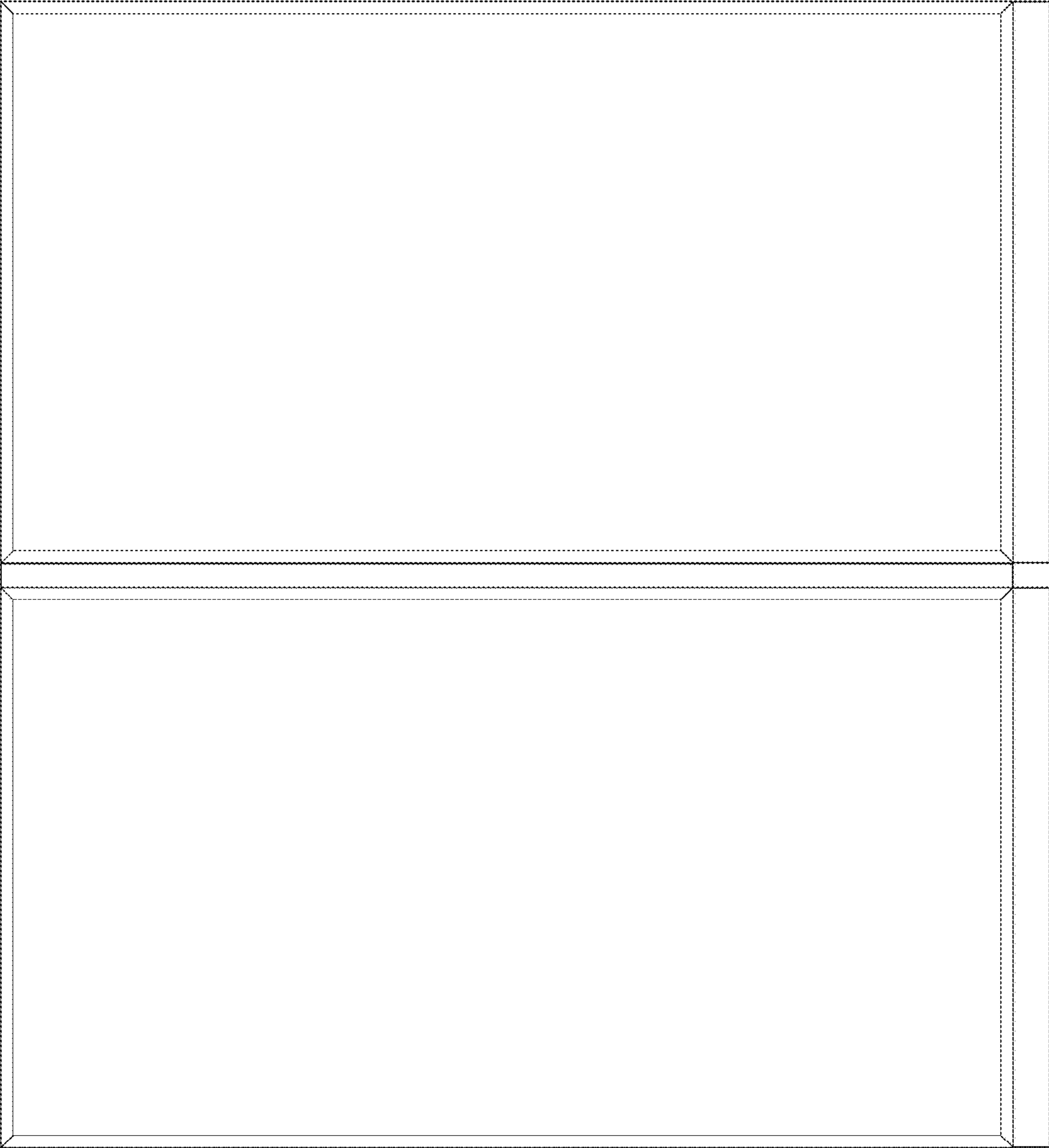


FIG. 7

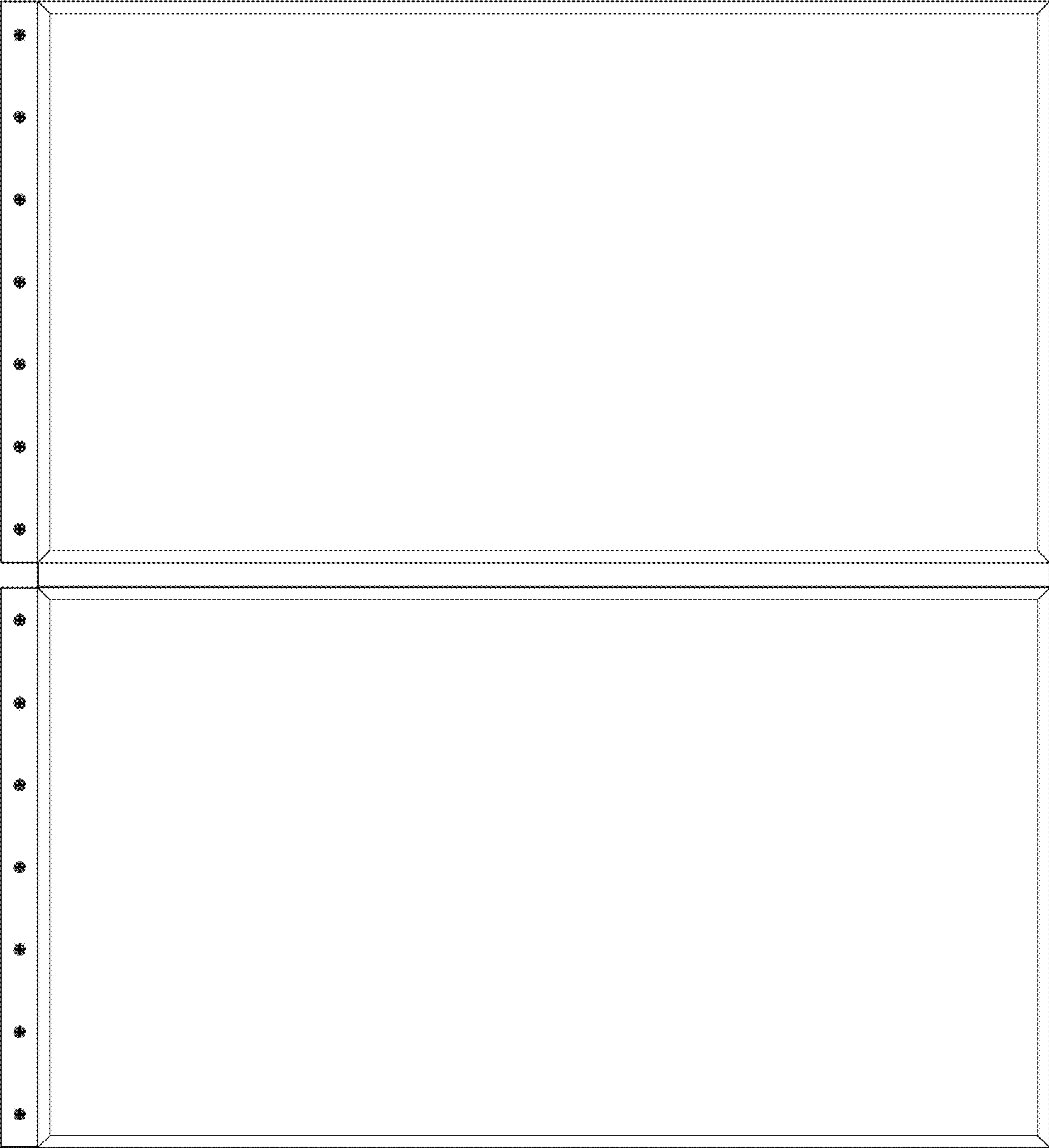


FIG. 8

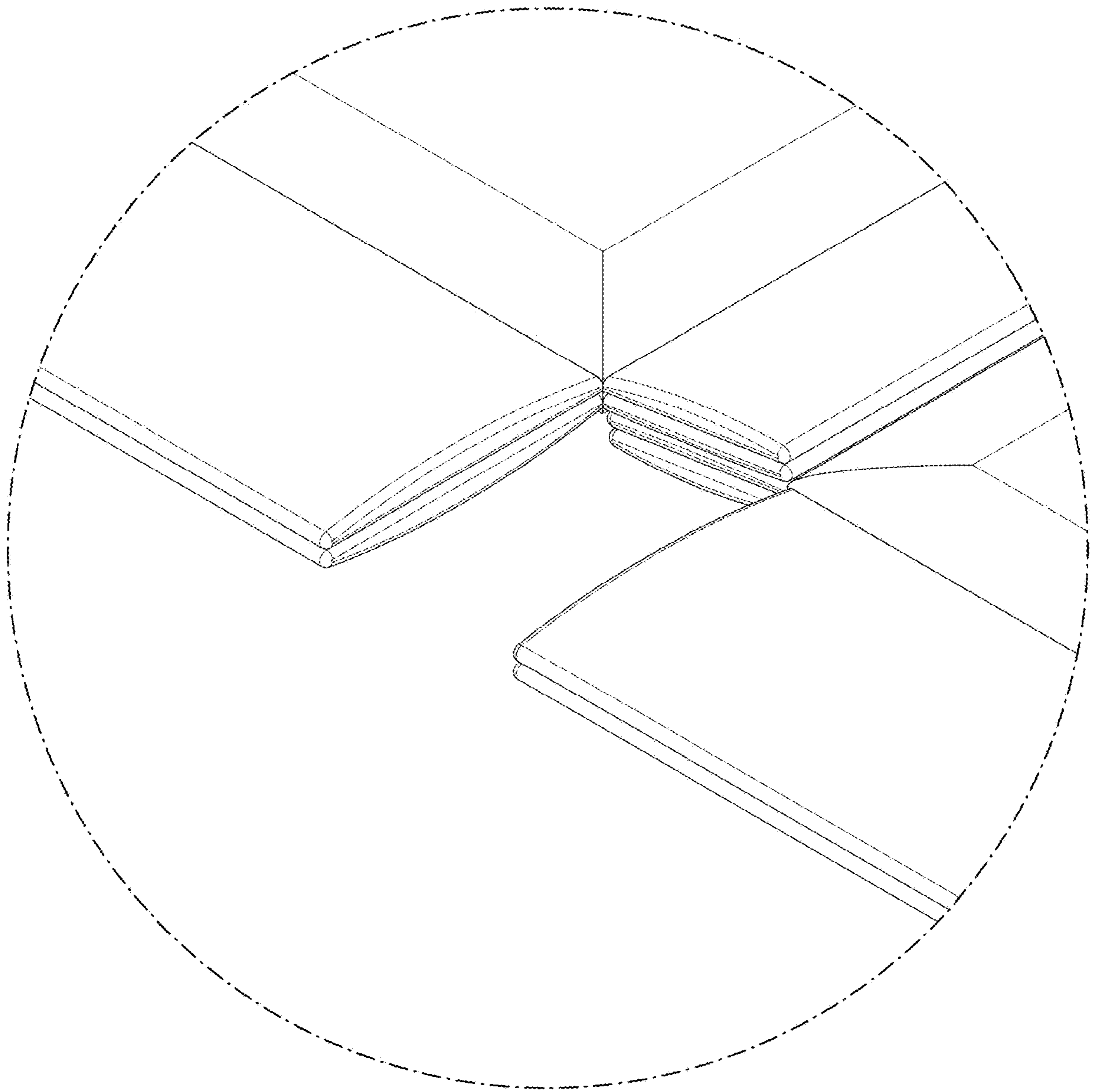


FIG. 9

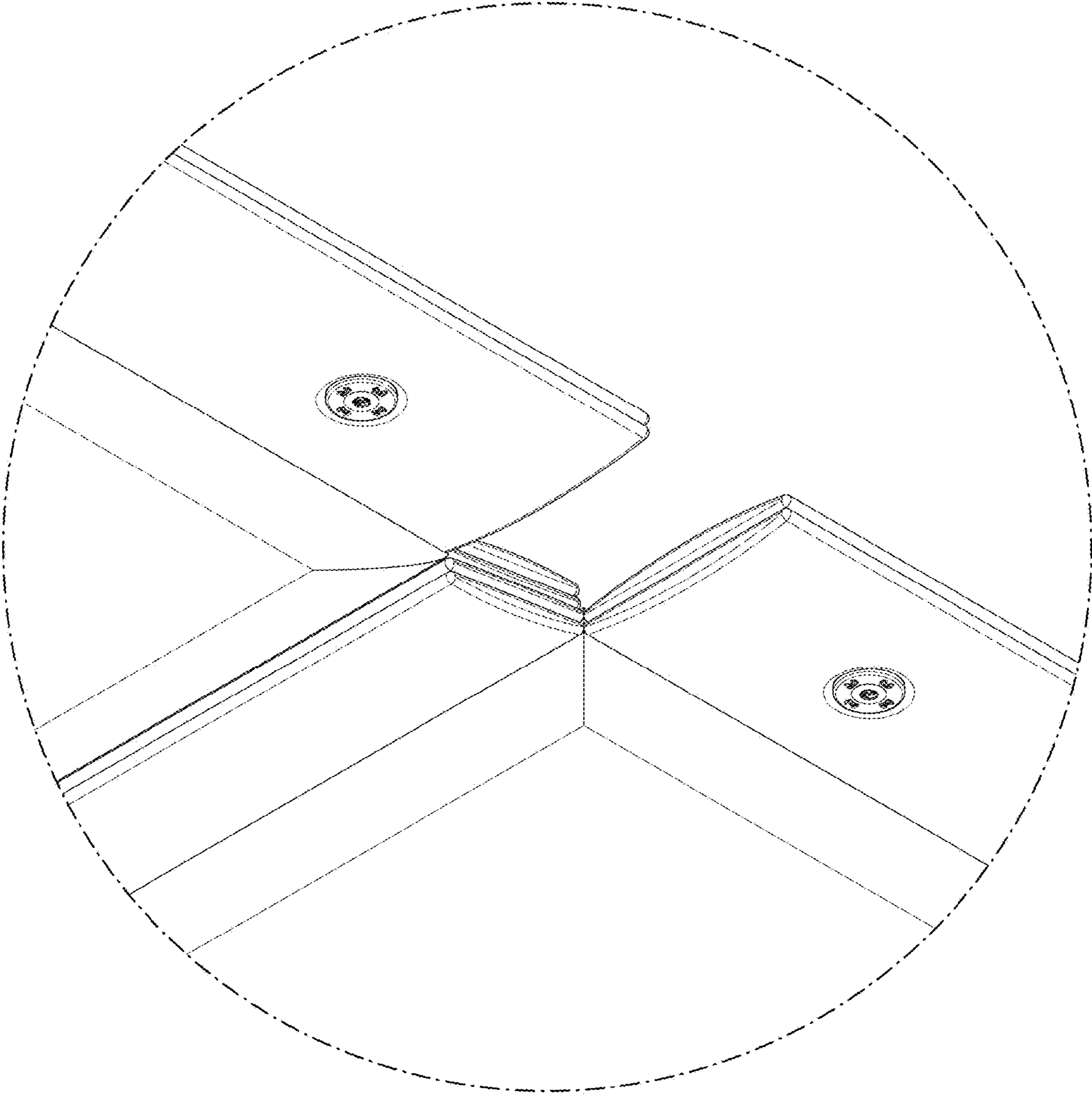


FIG. 10

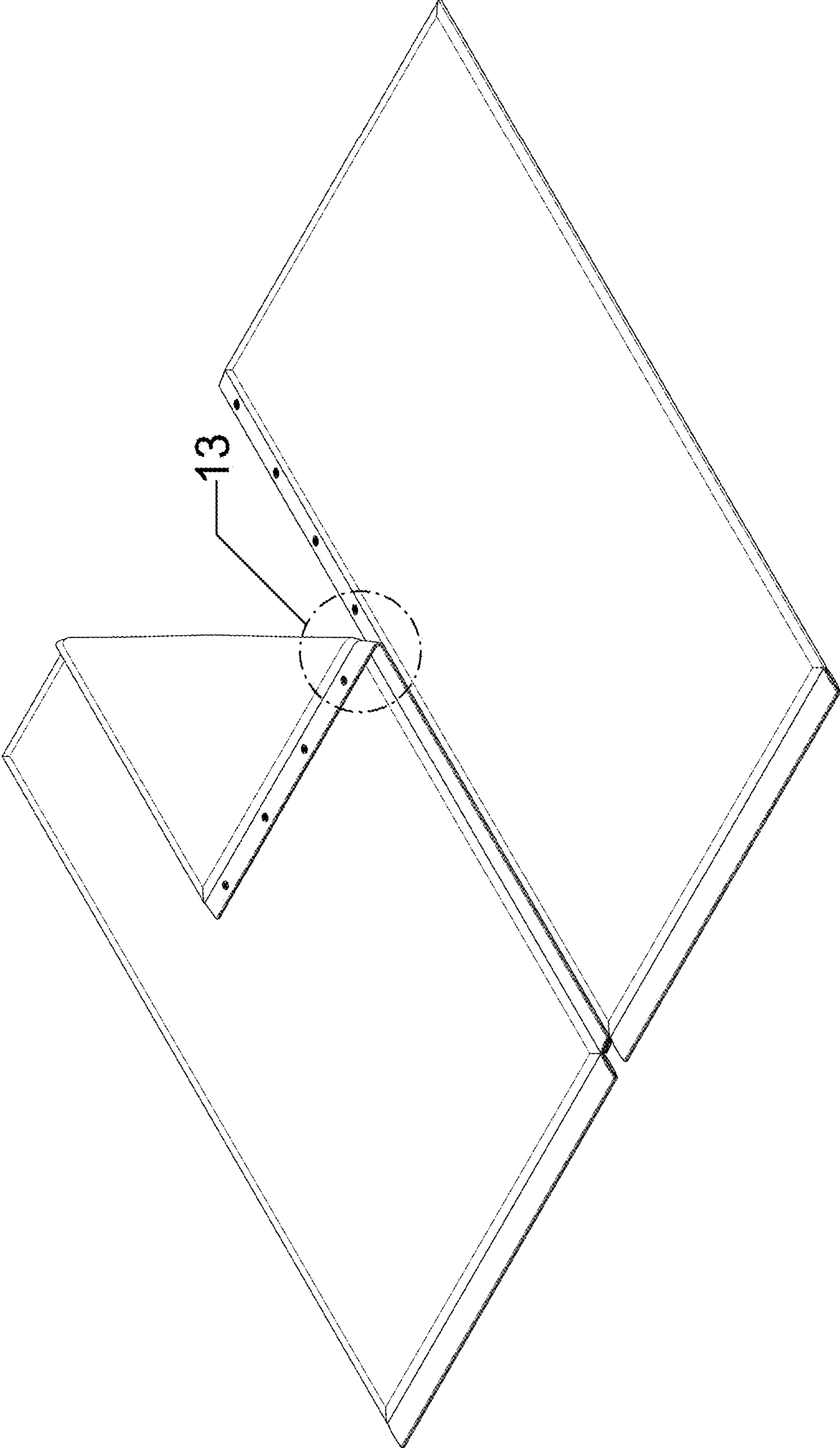


FIG. 11

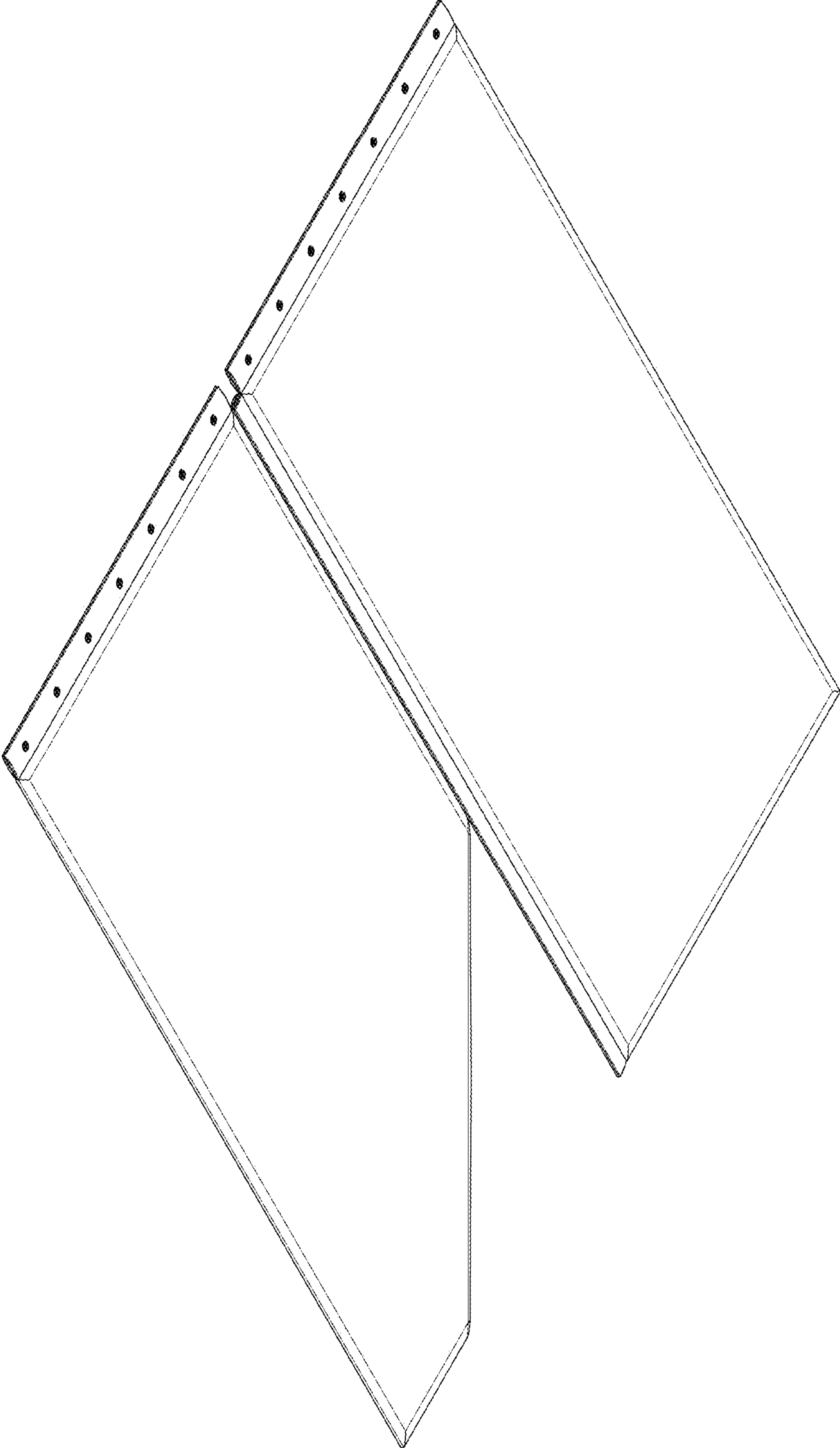


FIG. 12

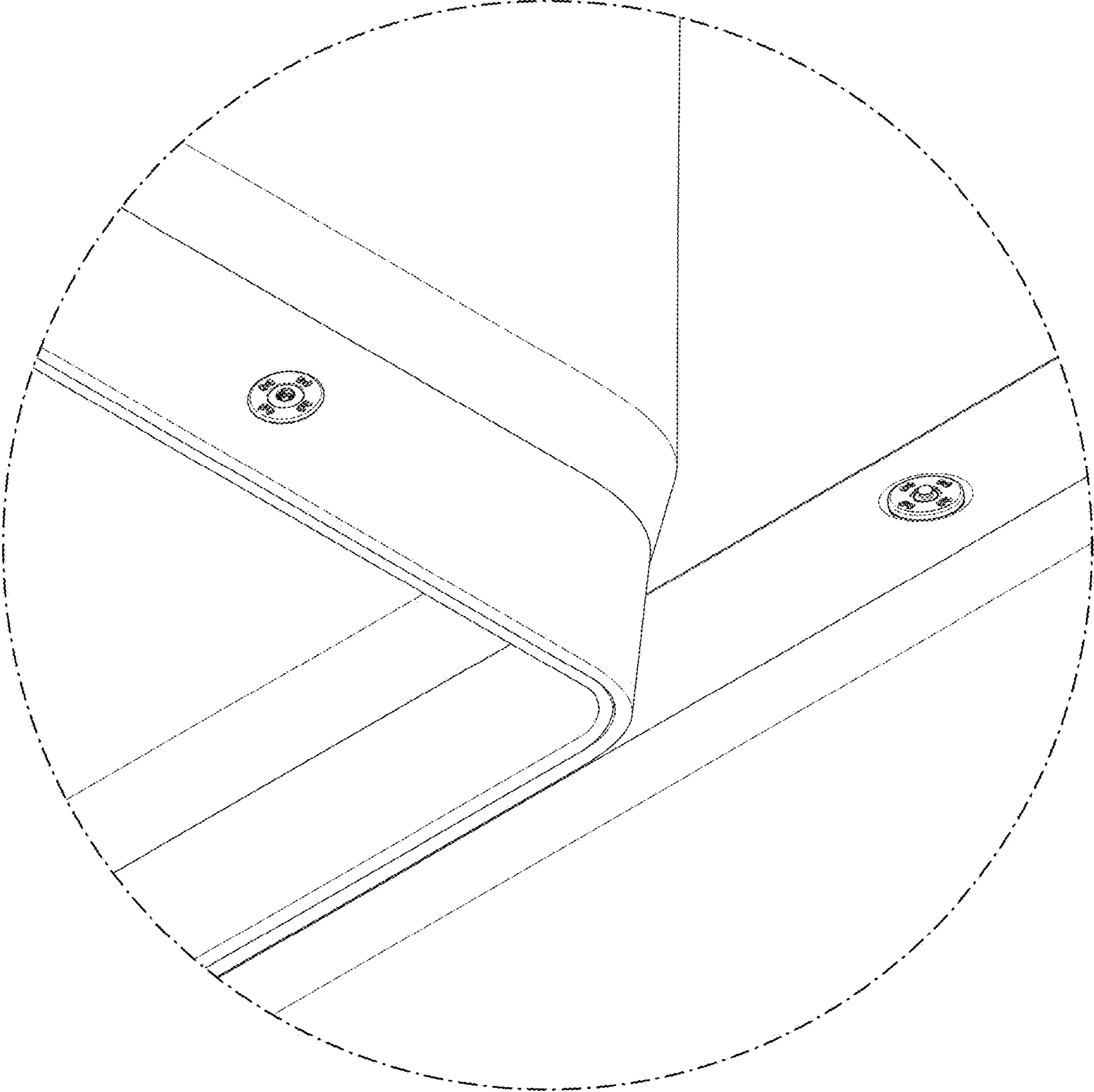


FIG. 13

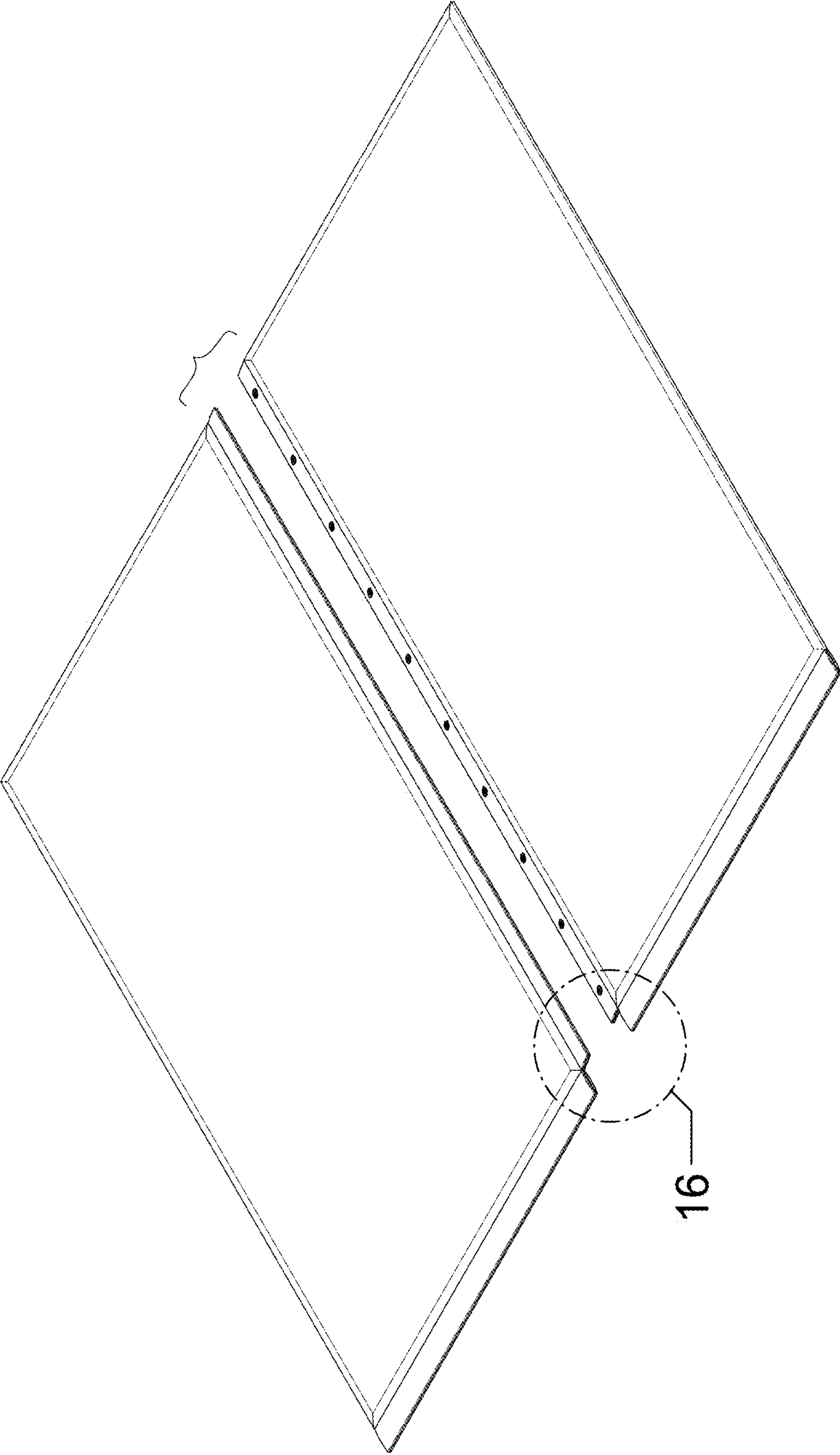


FIG. 14

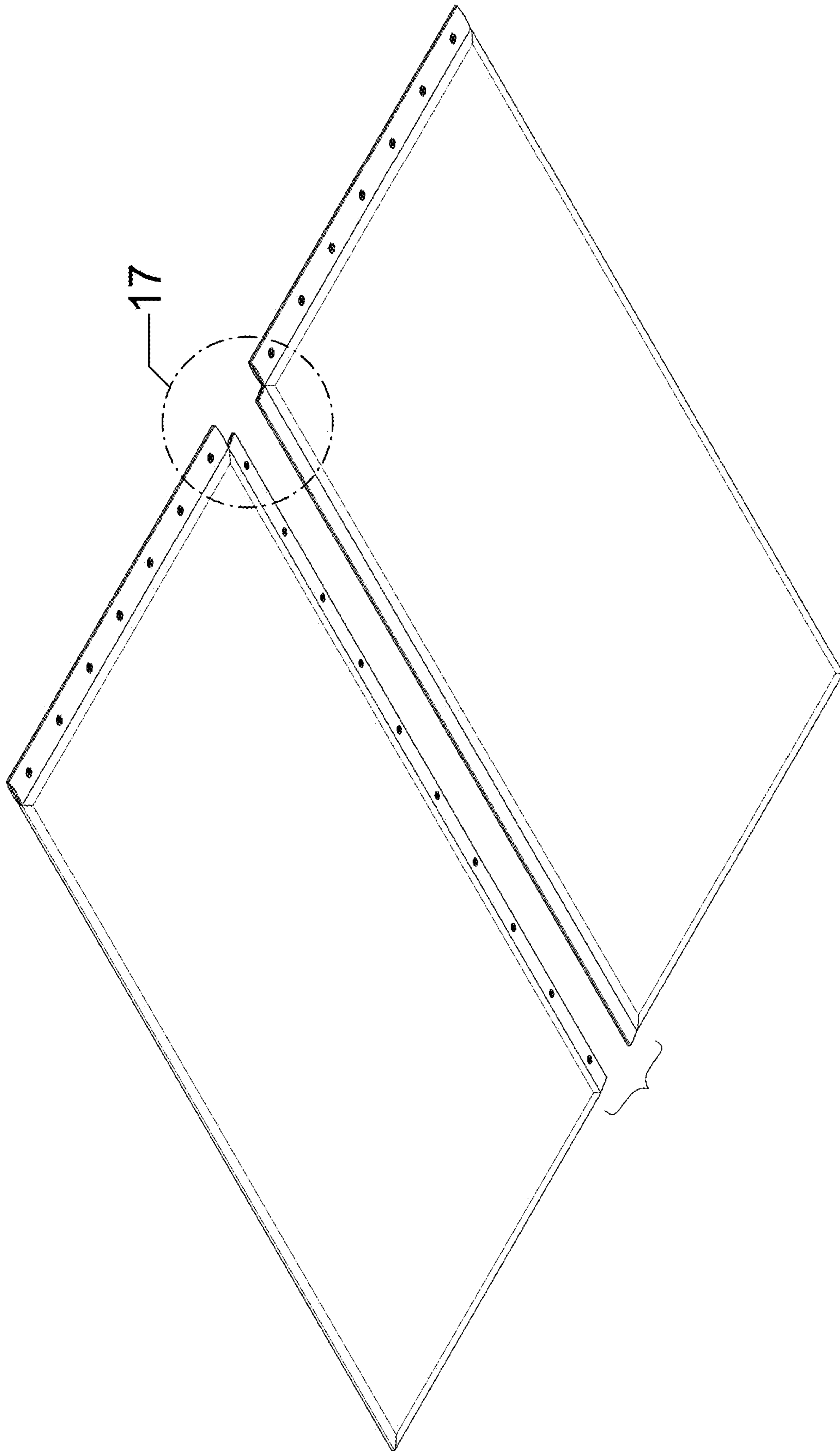


FIG. 15

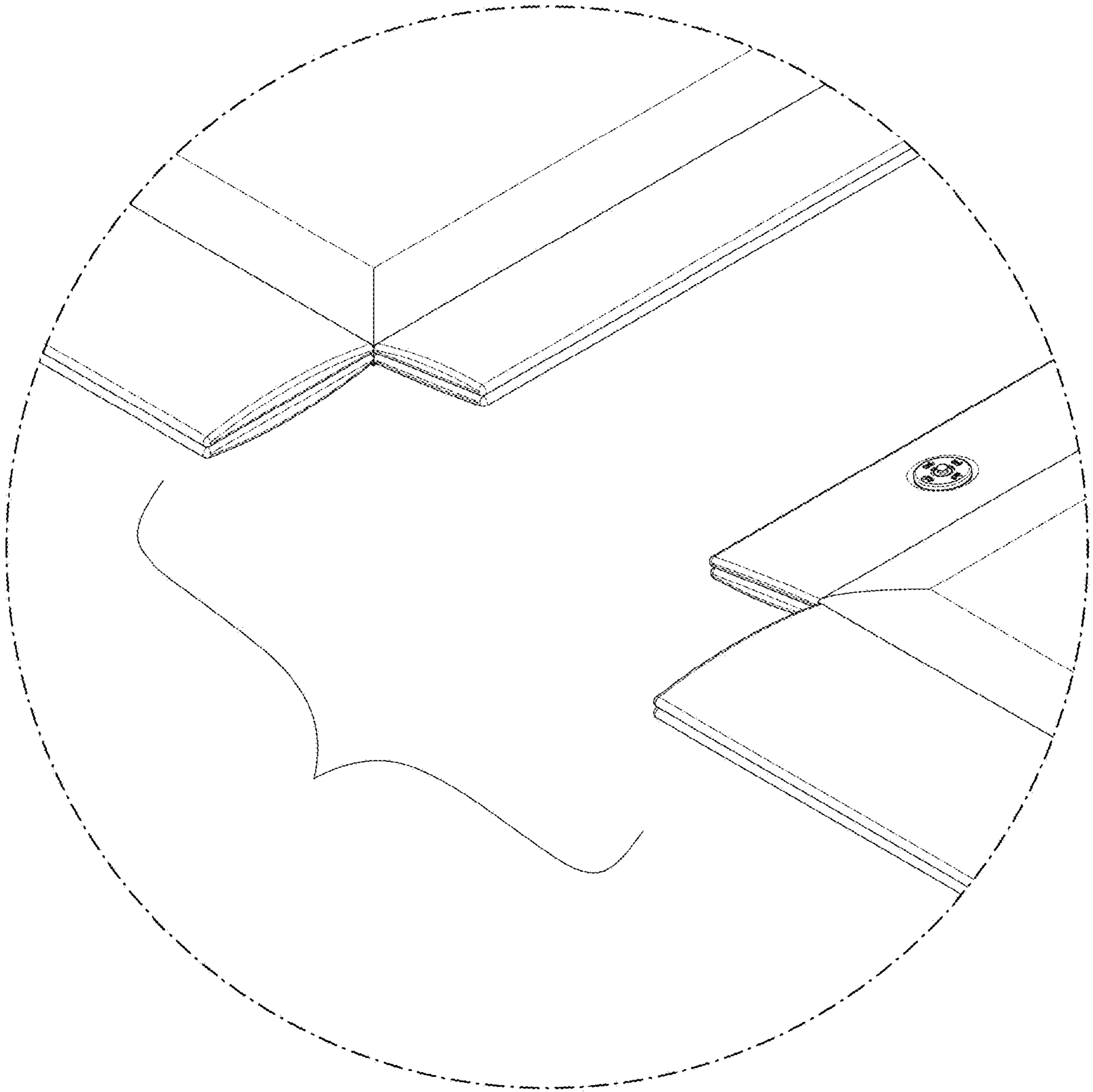


FIG. 16

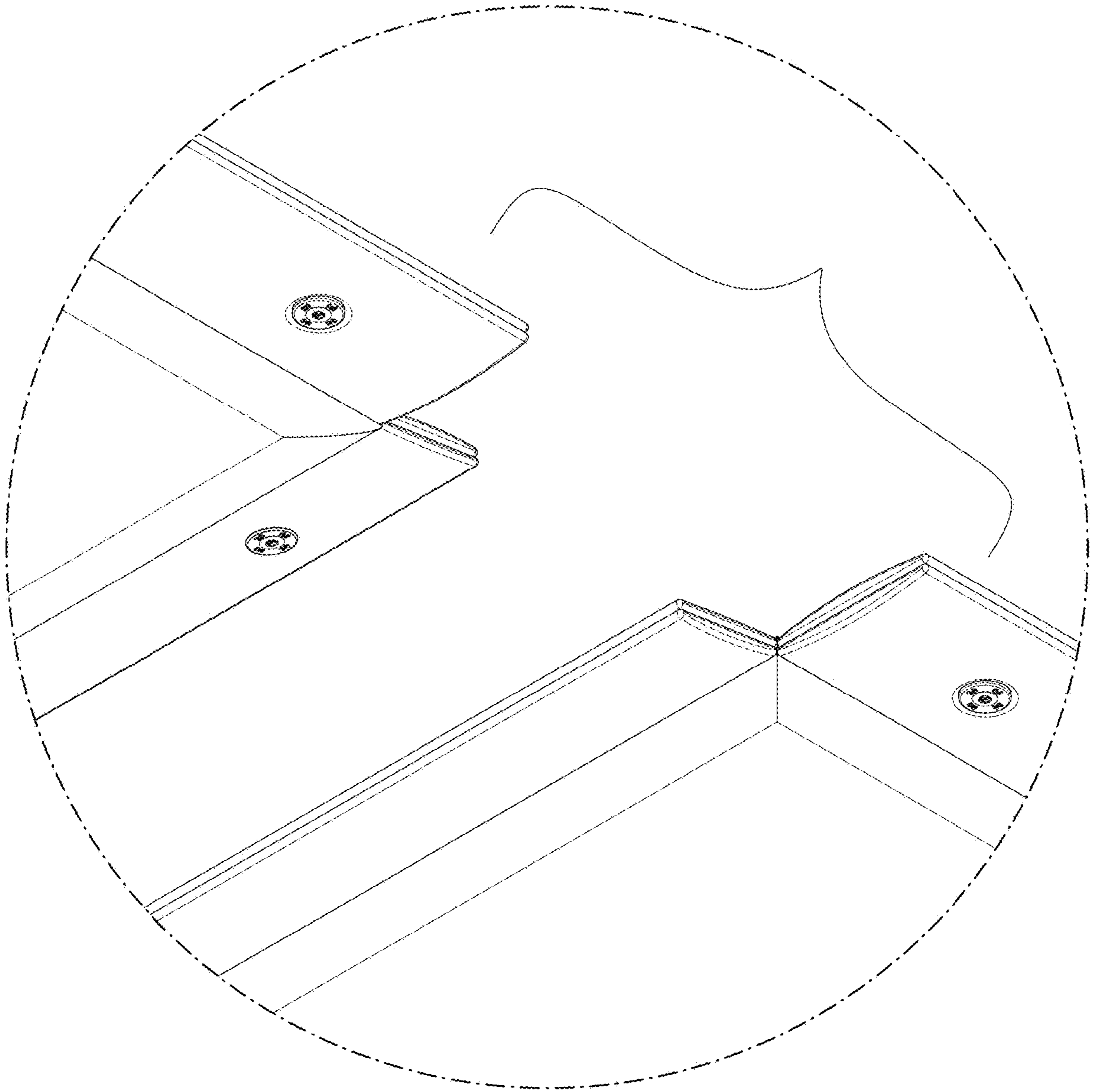


FIG. 17