



US00D887175S

(12) **United States Design Patent** (10) **Patent No.:** **US D887,175 S**
Loos (45) **Date of Patent:** **** Jun. 16, 2020**

(54) **NECK SUPPORT PILLOW**
(71) Applicant: **Proper Pillow**, Carlsbad, CA (US)
(72) Inventor: **Richard Loos**, Encinitas, CA (US)
(73) Assignee: **Proper Pillow**, Carlsbad, CA (US)
(**) Term: **15 Years**
(21) Appl. No.: **29/681,404**
(22) Filed: **Feb. 25, 2019**

Related U.S. Application Data

(60) Continuation-in-part of application No. 16/030,845, filed on Jul. 9, 2018, which is a division of application No. 13/659,876, filed on Oct. 24, 2012, now abandoned, which is a continuation-in-part of application No. 13/250,915, filed on Sep. 30, 2011, now abandoned, and a continuation of application No. PCT/US2011/054405, filed on Sep. 30, 2011.
(51) **LOC (12) Cl.** **06-09**
(52) **U.S. Cl.**
USPC **D6/601**
(58) **Field of Classification Search**
USPC D6/595-597, 601, 604-606
CPC A47C 27/00; A47C 27/08; A47C 27/12;
A47C 27/14; A47C 7/18; A47C 7/185;
A47C 7/20; A47C 23/00; A47C 27/001;
A47C 27/05; A47C 27/053; A47C
27/056; A47C 27/06; A47C 27/142; A47C
21/00; A47C 21/026; A47G 9/00; A47G
9/06; A47G 9/08; A47G 9/086; A47G
9/1009; A47G 9/10; A47G 9/1027; A47G
9/1054; A47G 9/1063; A47G 9/1072;
A47G 9/1045; A47G 9/1081; A47G
9/109; A47G 2009/1018; A47G 2009/003
See application file for complete search history.

(56) **References Cited**
U.S. PATENT DOCUMENTS
D261,681 S * 11/1981 Chandler 5/630
4,777,855 A * 10/1988 Cohen A47G 9/10
5/636
D336,809 S * 6/1993 Emery D6/601
D339,949 S * 10/1993 Wei 5/648
D342,409 S * 12/1993 Gambin 5/631
7,316,041 B2 * 1/2008 Guez A47G 9/10
5/636
D876,127 S * 2/2020 Park D6/601
2018/0263375 A1 * 9/2018 Stewart A47C 20/025

FOREIGN PATENT DOCUMENTS

WO WO-2006020545 A2 * 2/2006 A47G 9/10
* cited by examiner

Primary Examiner — R. Johnson
(74) *Attorney, Agent, or Firm* — Michael D. Eisenberg

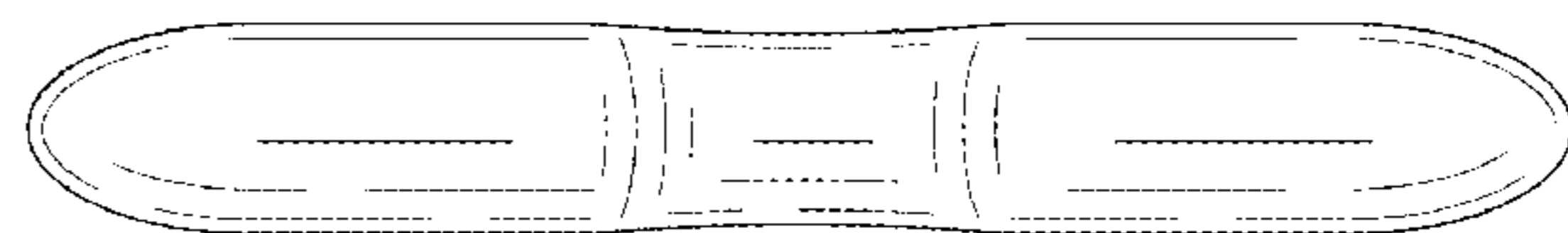
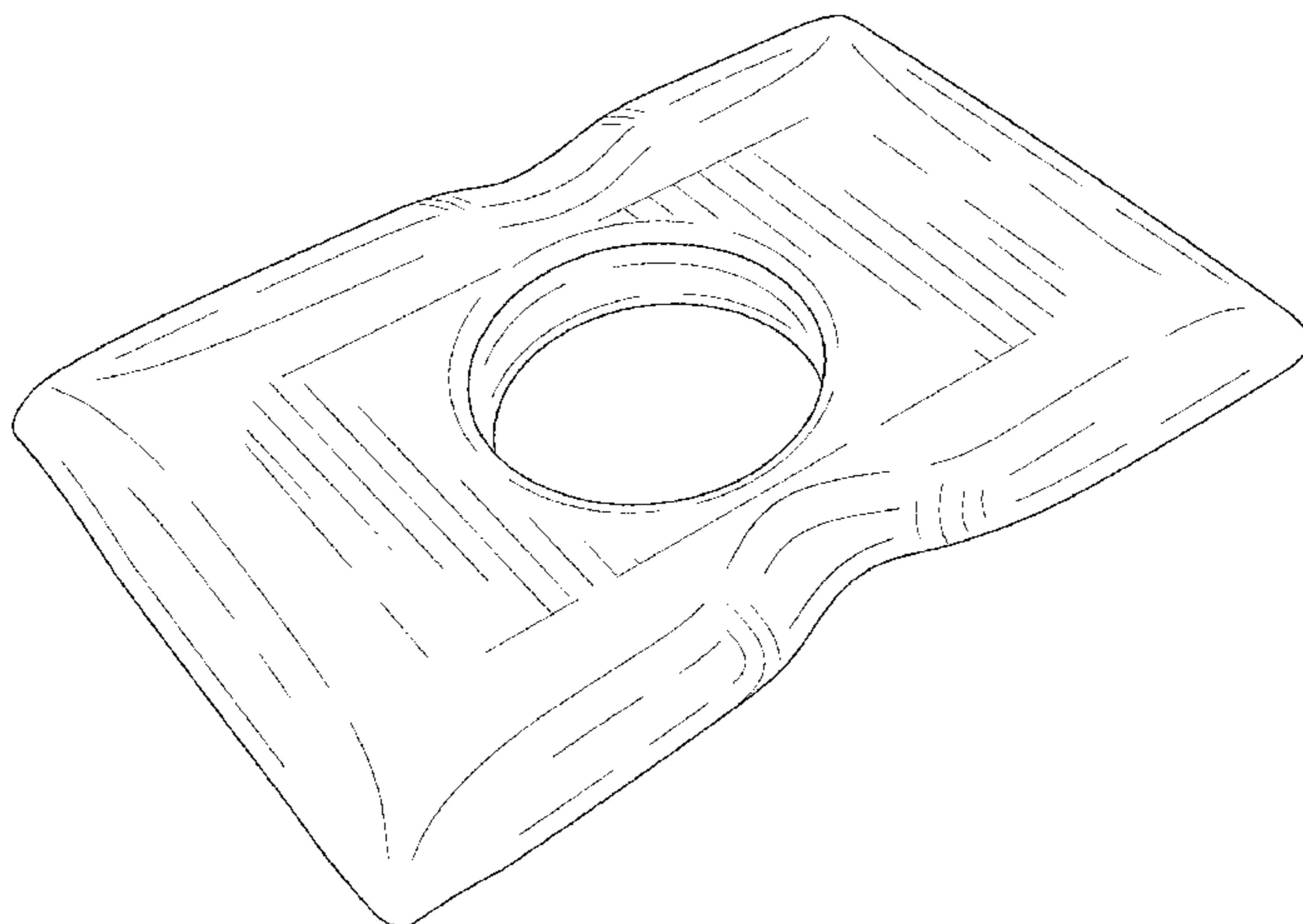
(57) **CLAIM**

The ornamental design for a neck support pillow, as shown and described.

DESCRIPTION

FIG. 1 is a perspective view of a neck support pillow showing my new design;
FIG. 2 is a front view of the neck support pillow;
FIG. 3 is a right side view of the neck support pillow;
FIG. 4 is a top view of the neck support pillow;
FIG. 5 is a rear view of the neck support pillow;
FIG. 6 is a left side view of the neck support pillow; and,
FIG. 7 is a bottom view of the neck support pillow.

1 Claim, 3 Drawing Sheets



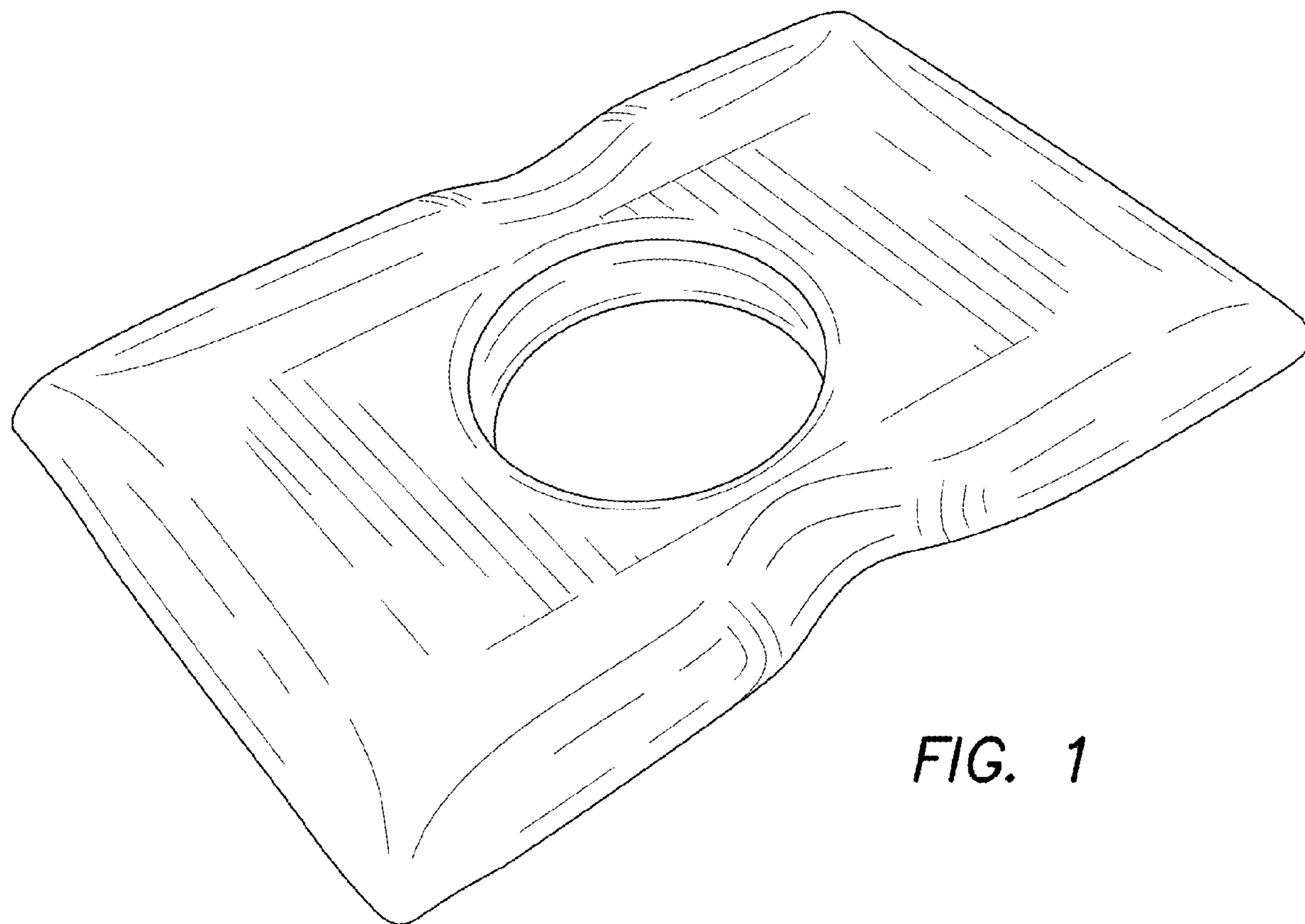


FIG. 1

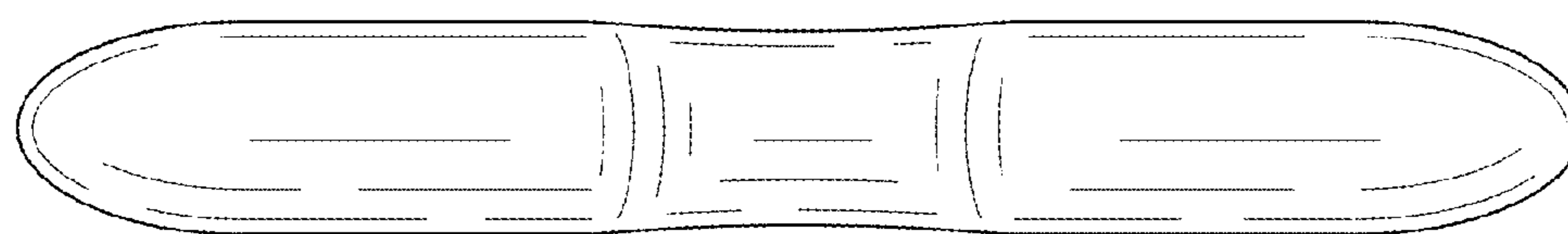


FIG. 2

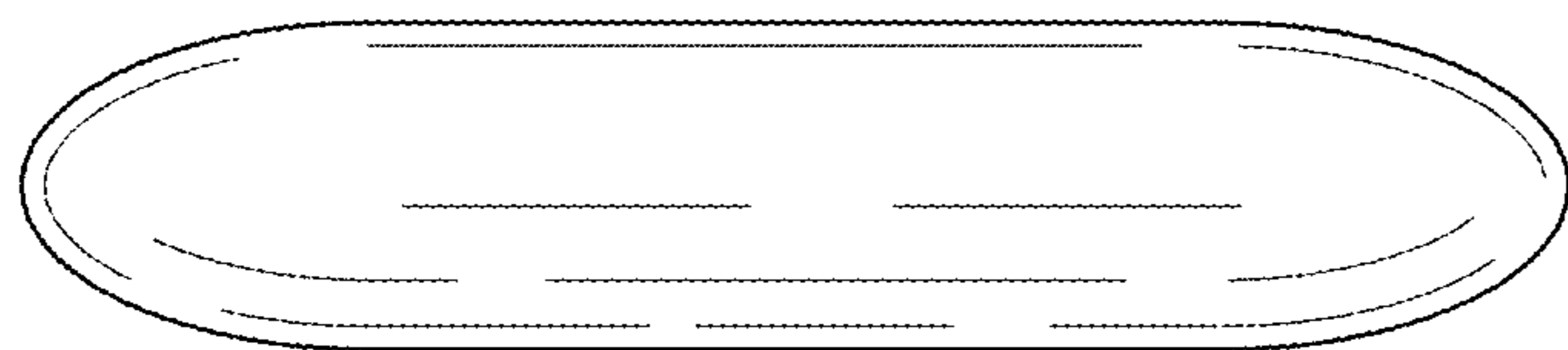


FIG. 3

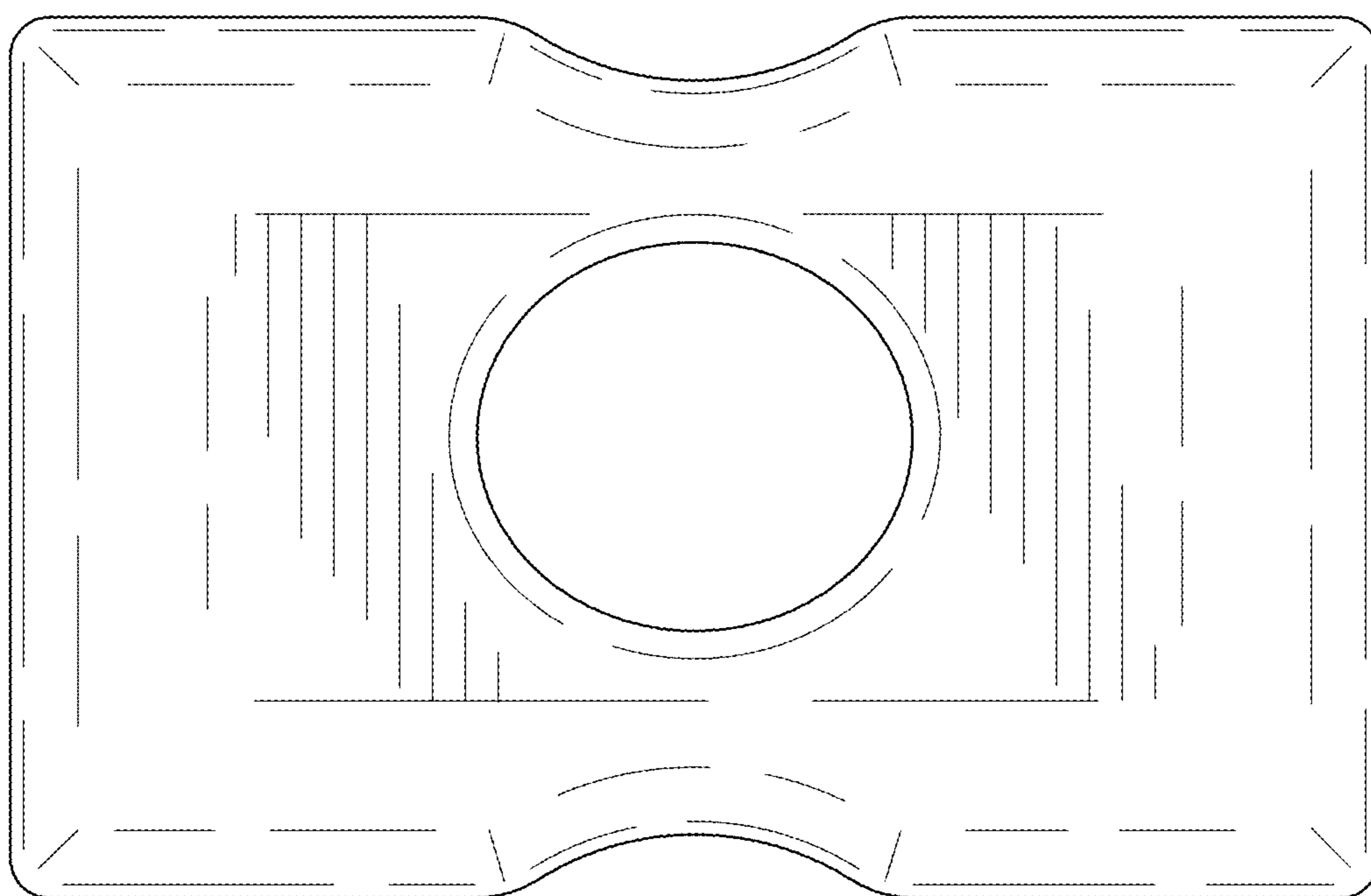


FIG. 4

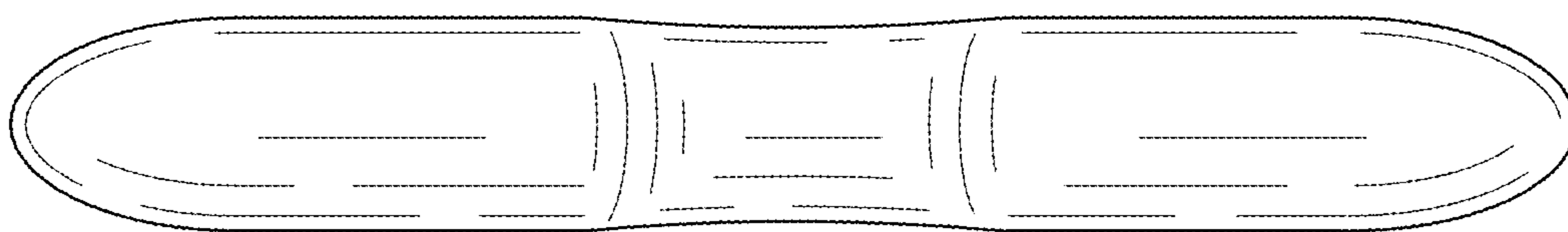


FIG. 5

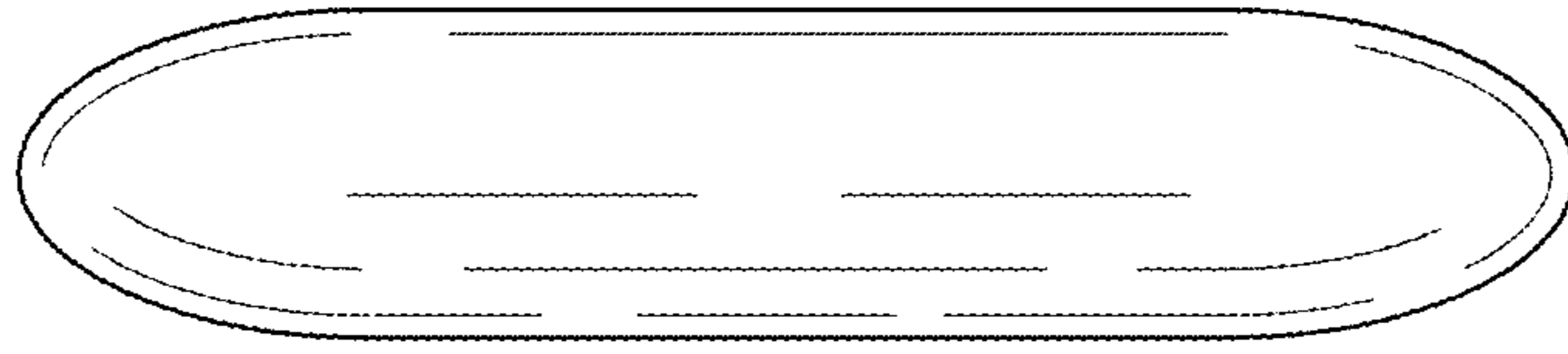


FIG. 6

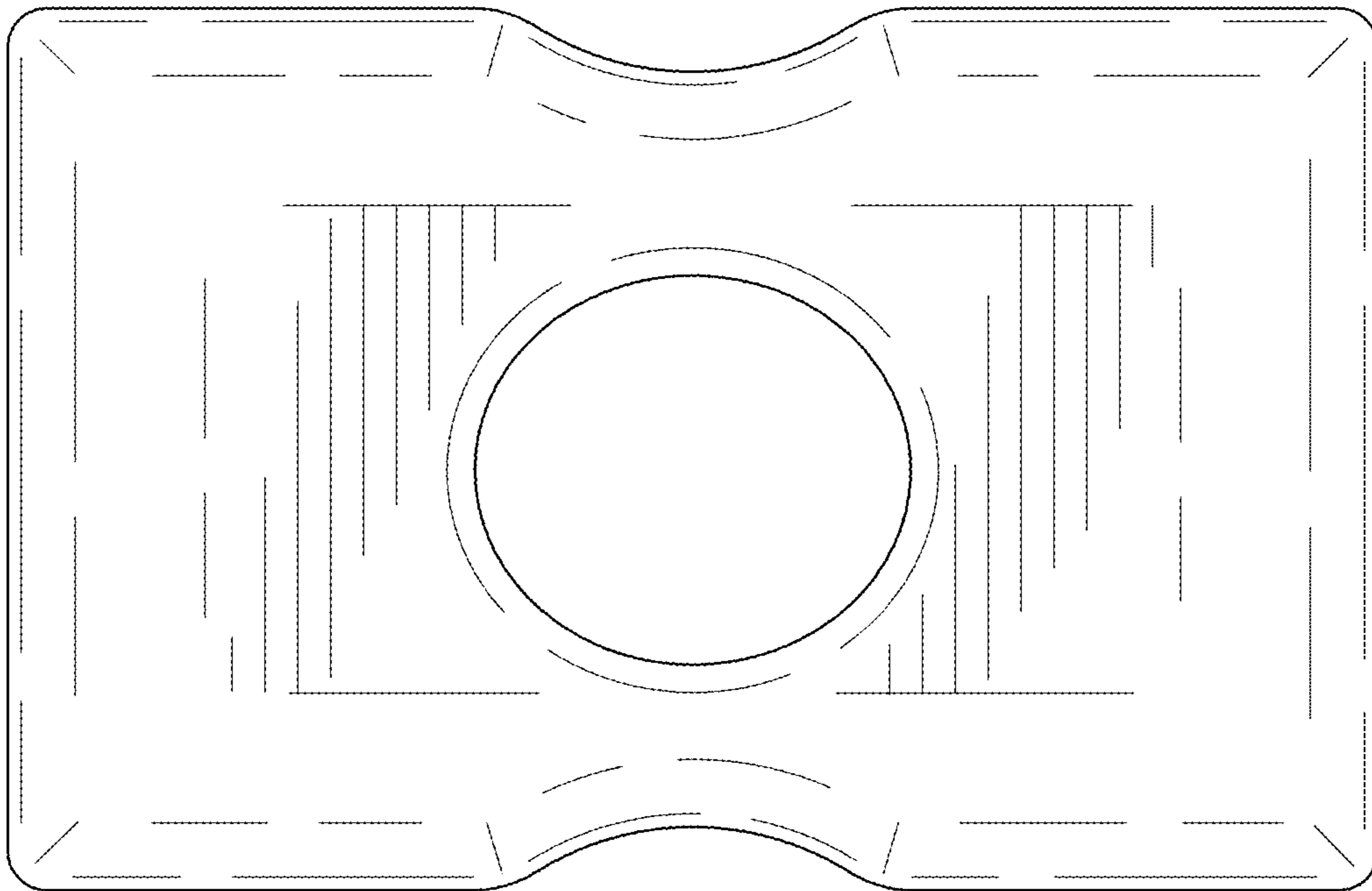


FIG. 7