



US00D887171S

(12) **United States Design Patent**  
**Goldfarb**

(10) **Patent No.:** **US D887,171 S**

(45) **Date of Patent:** **\*\* Jun. 16, 2020**

- (54) **DISPENSING CONTAINER**
- (71) Applicant: **Edward Goldfarb**, Hollywood, FL  
(US)
- (72) Inventor: **Edward Goldfarb**, Hollywood, FL  
(US)
- (\*\*) Term: **15 Years**
- (21) Appl. No.: **29/668,177**
- (22) Filed: **Oct. 29, 2018**
- (51) **LOC (12) Cl.** ..... **07-01**
- (52) **U.S. Cl.**  
USPC ..... **D6/542; D7/300; D7/313; D6/545**
- (58) **Field of Classification Search**  
USPC ..... D7/305-311, 313, 300; D15/82;  
222/129.1, 146.6; D6/545, 542  
CPC ..... B67D 1/36; B67D 2210/0065; B67D  
1/0009; B67D 3/0061; B67D 3/045;  
B65D 83/00; B65D 23/104; A47K 5/122;  
A47J 31/4482; A47J 31/369; A47J  
31/407; A47J 31/10; A47J 31/467; A47J  
31/0615; A47J 31/32  
See application file for complete search history.

D604,545	S	*	11/2009	Law	.....	D6/545
D616,683	S	*	6/2010	Law	.....	D6/545
D620,292	S	*	7/2010	Kim	.....	D6/545
D629,237	S	*	12/2010	Boshuizen	.....	D6/545
D636,214	S	*	4/2011	Parker	.....	D7/306
8,225,958	B2	*	7/2012	Nielsen	.....	B67D 3/045 220/281
D705,571	S	*	5/2014	Middendorp	.....	D6/545
D726,444	S	*	4/2015	Giovannoni	.....	D6/545
D726,445	S	*	4/2015	Giovannoni	.....	D6/545
D753,947	S	*	4/2016	Saadeh	.....	D7/306
D770,799	S	*	11/2016	Albo	.....	D6/545
D808,703	S	*	1/2018	Saadeh	.....	D7/306
D818,740	S	*	5/2018	Berkowitz	.....	D6/542
9,993,120	B2	*	6/2018	Xie	.....	F04B 13/00
D826,618	S	*	8/2018	Hare	.....	D7/313
D827,353	S	*	9/2018	Hare	.....	D7/313
2009/0294517	A1	*	12/2009	Zimmerman	.....	B65D 5/542 229/117.01

\* cited by examiner

*Primary Examiner* — Marianne N Pandozzi  
(74) *Attorney, Agent, or Firm* — Maier & Maier, PLLC

(57) **CLAIM**

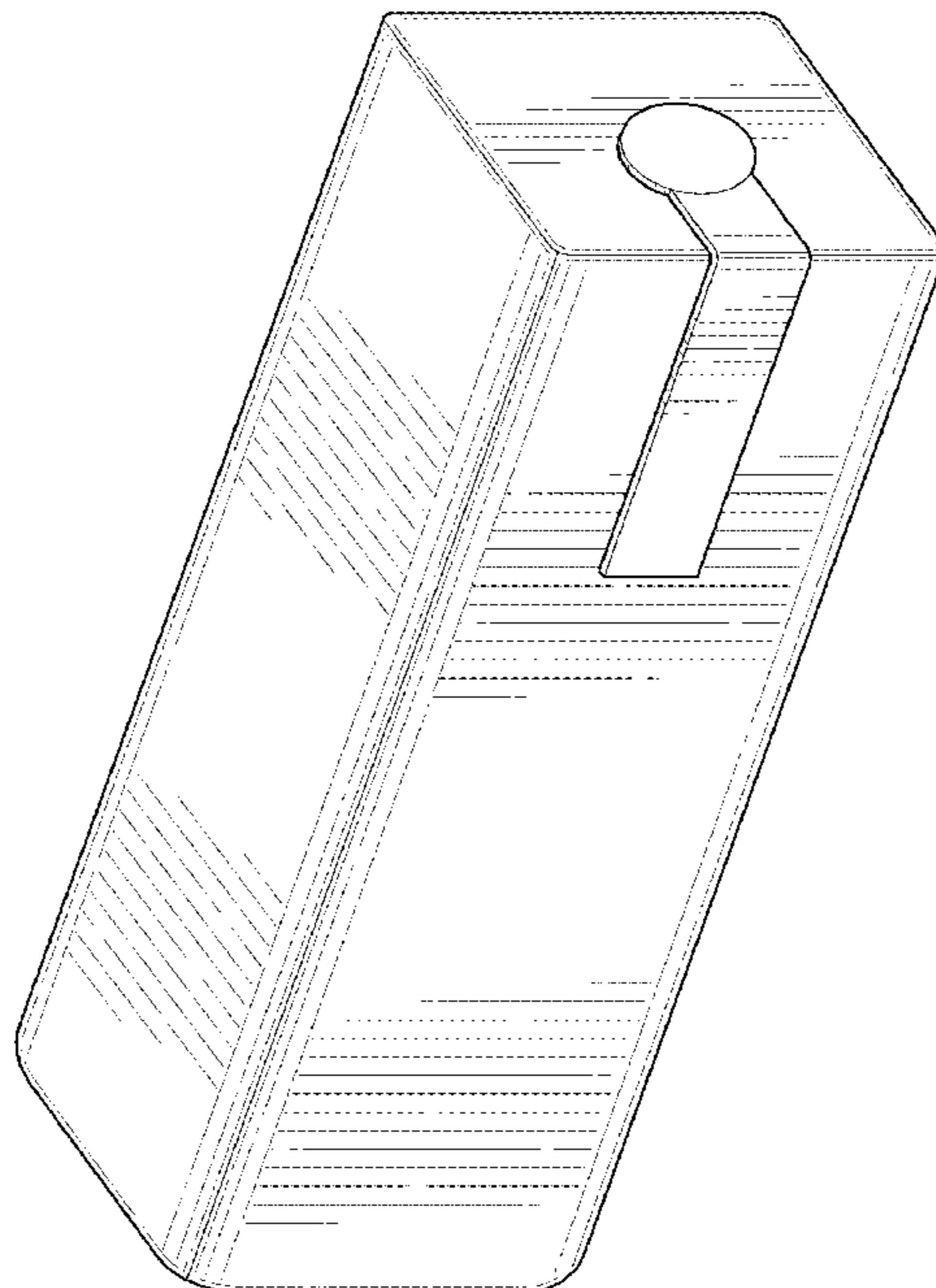
The ornamental design for a dispensing container, as shown and described.

**DESCRIPTION**

FIG. 1 is a top rear perspective view of a dispensing container;  
FIG. 2 is a bottom rear perspective view thereof;  
FIG. 3 is a front view thereof;  
FIG. 4 is a rear view thereof;  
FIG. 5 is a right side view thereof;  
FIG. 6 is a left side view thereof;  
FIG. 7 is a top view thereof; and,  
FIG. 8 is a bottom view thereof.

**1 Claim, 7 Drawing Sheets**

- (56) **References Cited**  
U.S. PATENT DOCUMENTS
- 4,657,176 A \* 4/1987 Matsubara ..... B65D 31/08  
220/908
- D312,184 S \* 11/1990 De Luca ..... D6/542
- D322,377 S \* 12/1991 Fender ..... D6/545
- 6,404,837 B1 \* 6/2002 Thompson ..... A47K 5/1208  
377/13
- D553,407 S \* 10/2007 Orgna ..... D6/545
- D578,331 S \* 10/2008 Tomic ..... D6/545
- D595,523 S \* 7/2009 Pattberg ..... D6/545



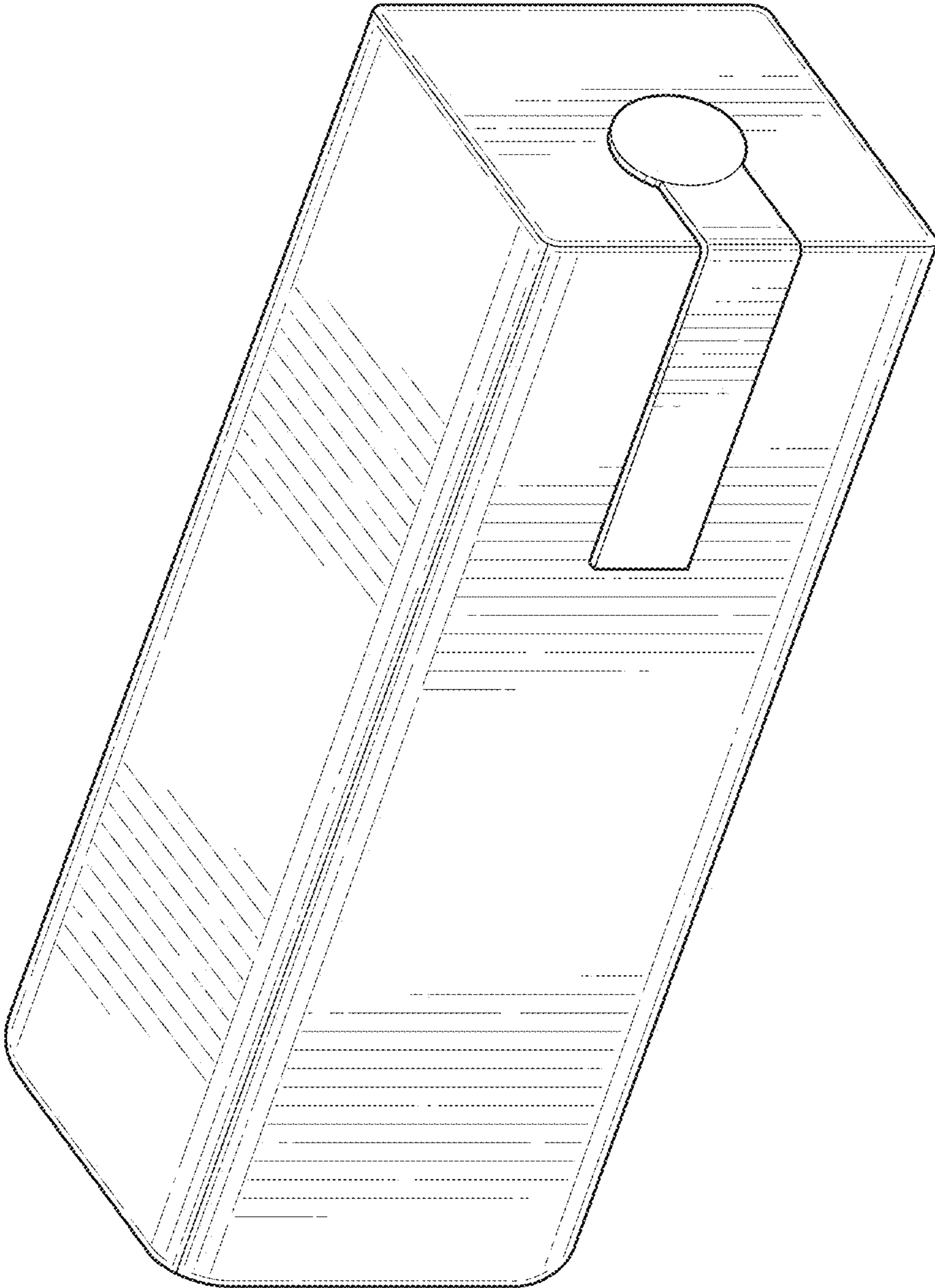


FIG. 1

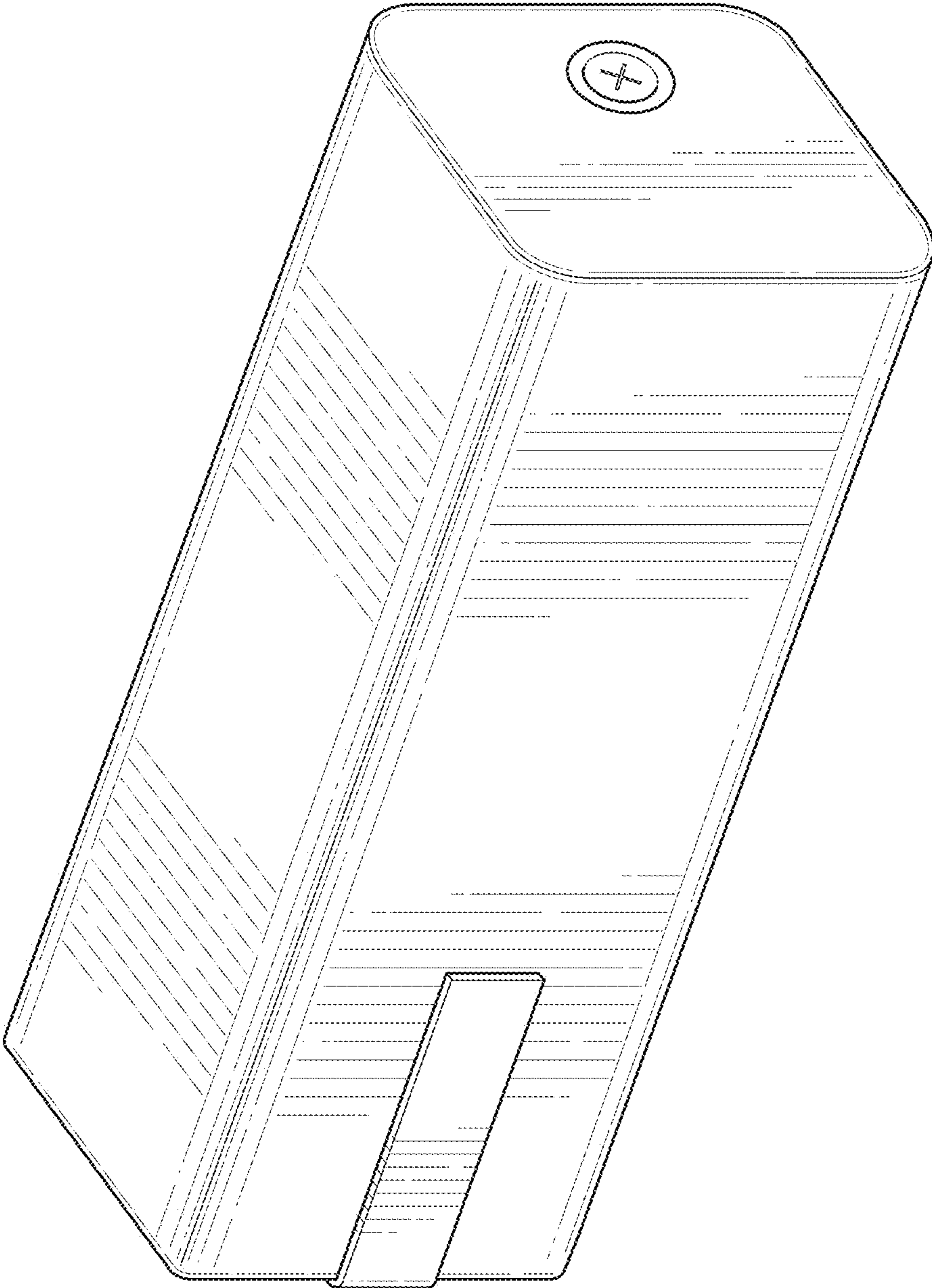
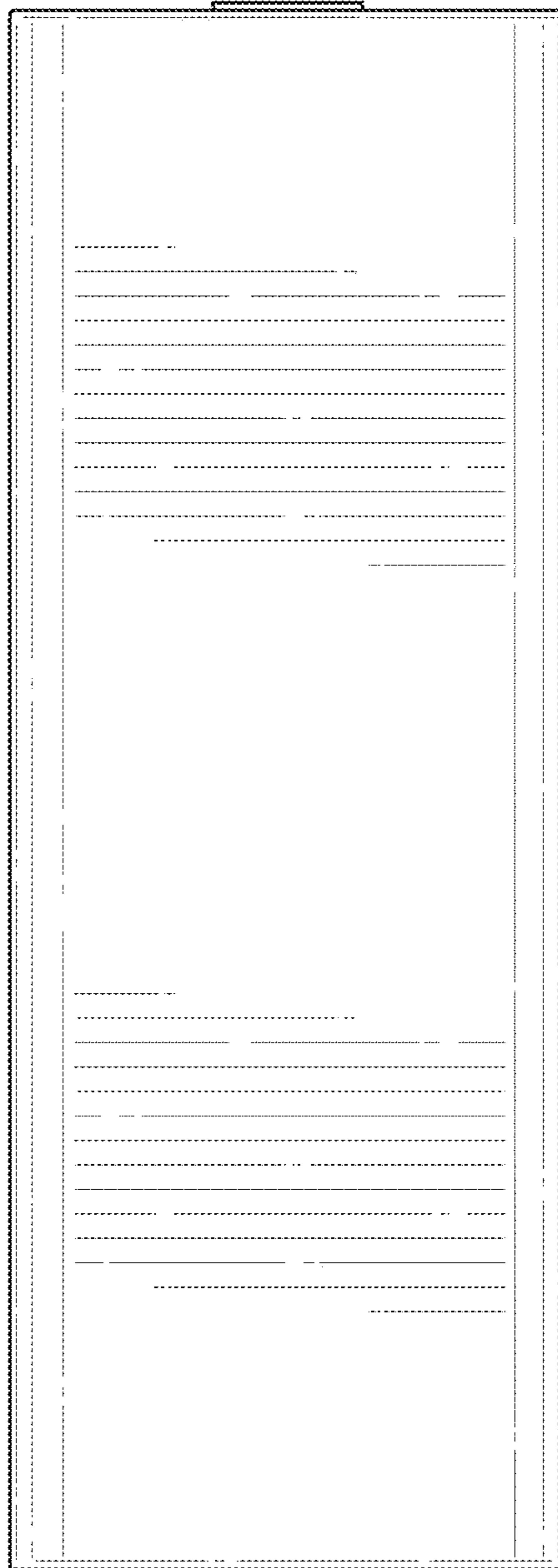


FIG. 2



**FIG. 3**

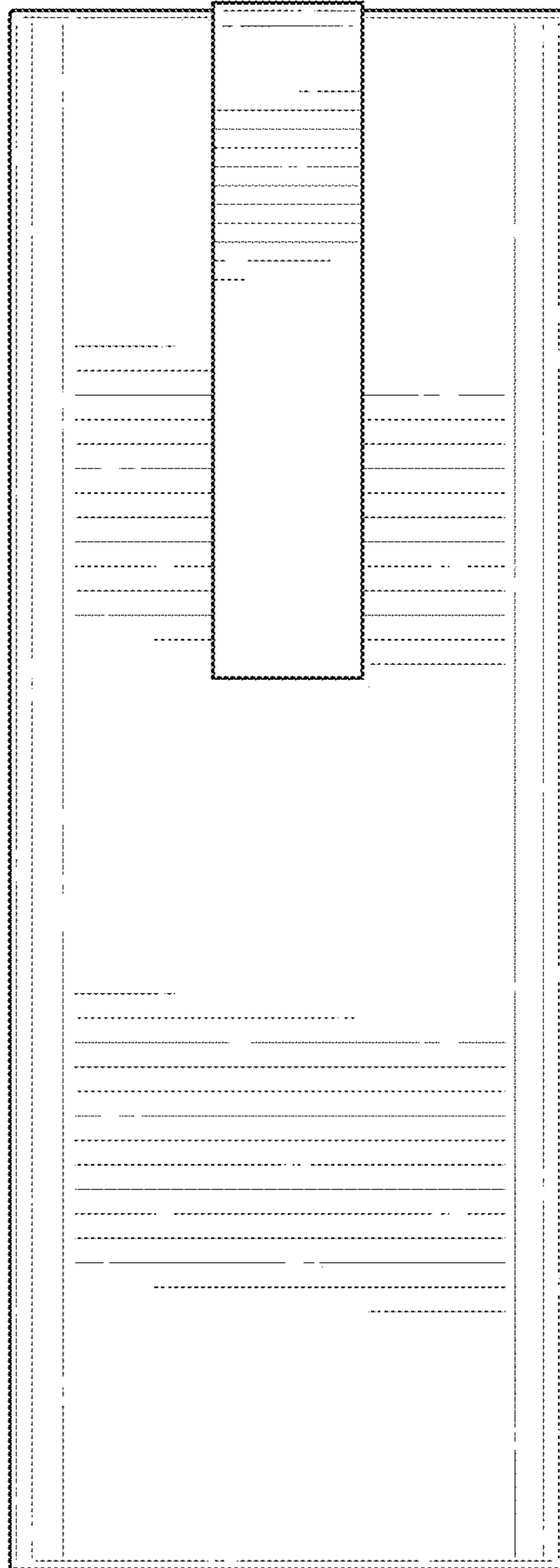
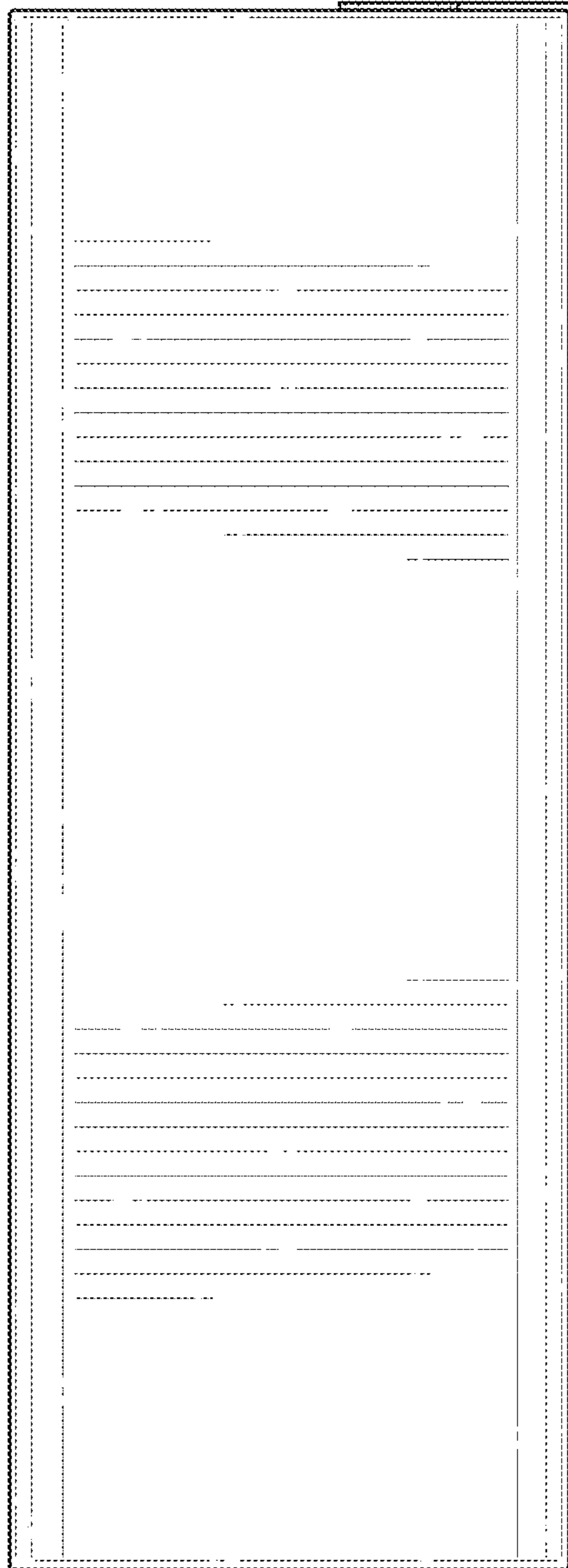


FIG. 4



**FIG. 5**

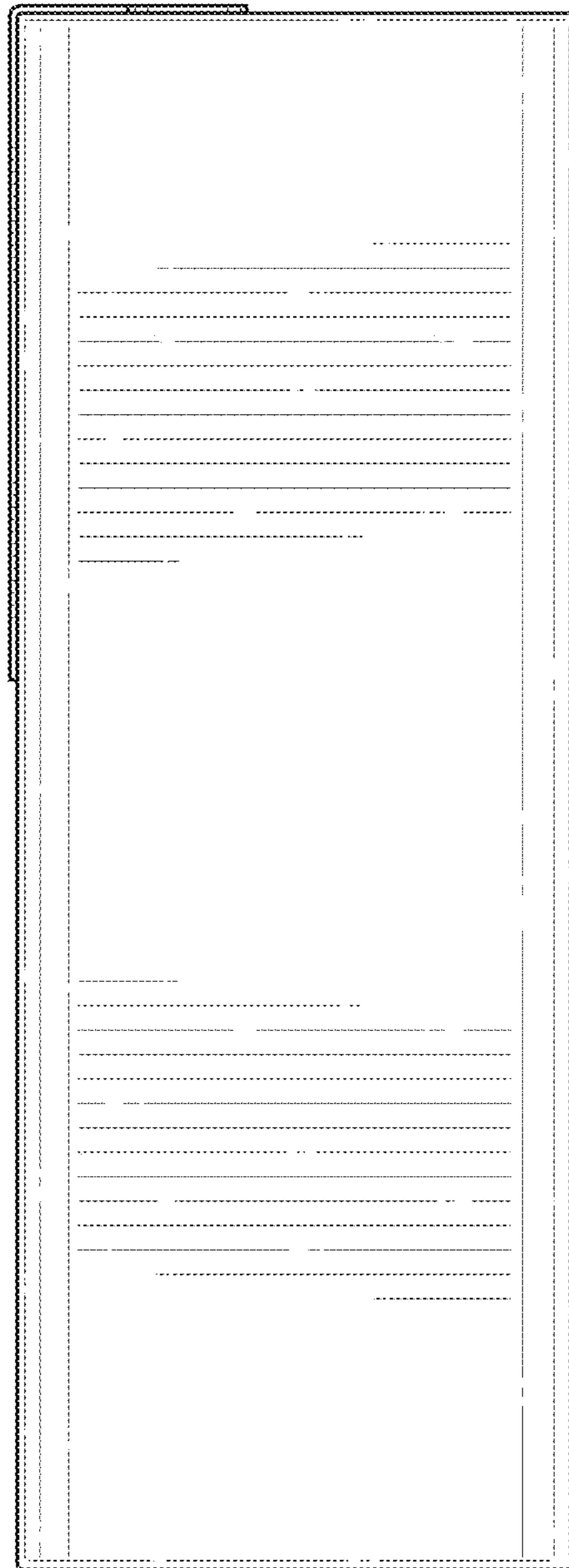
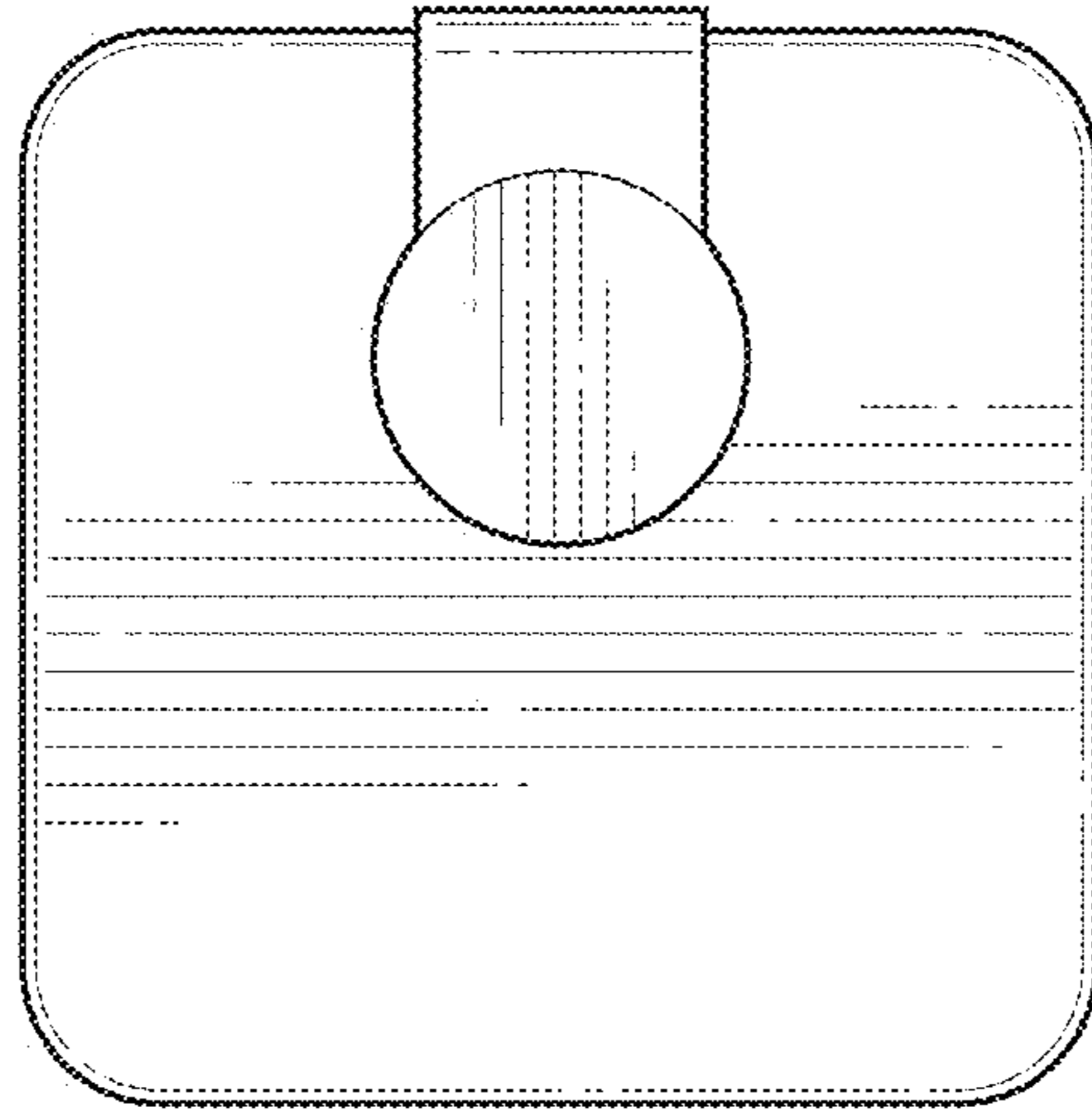
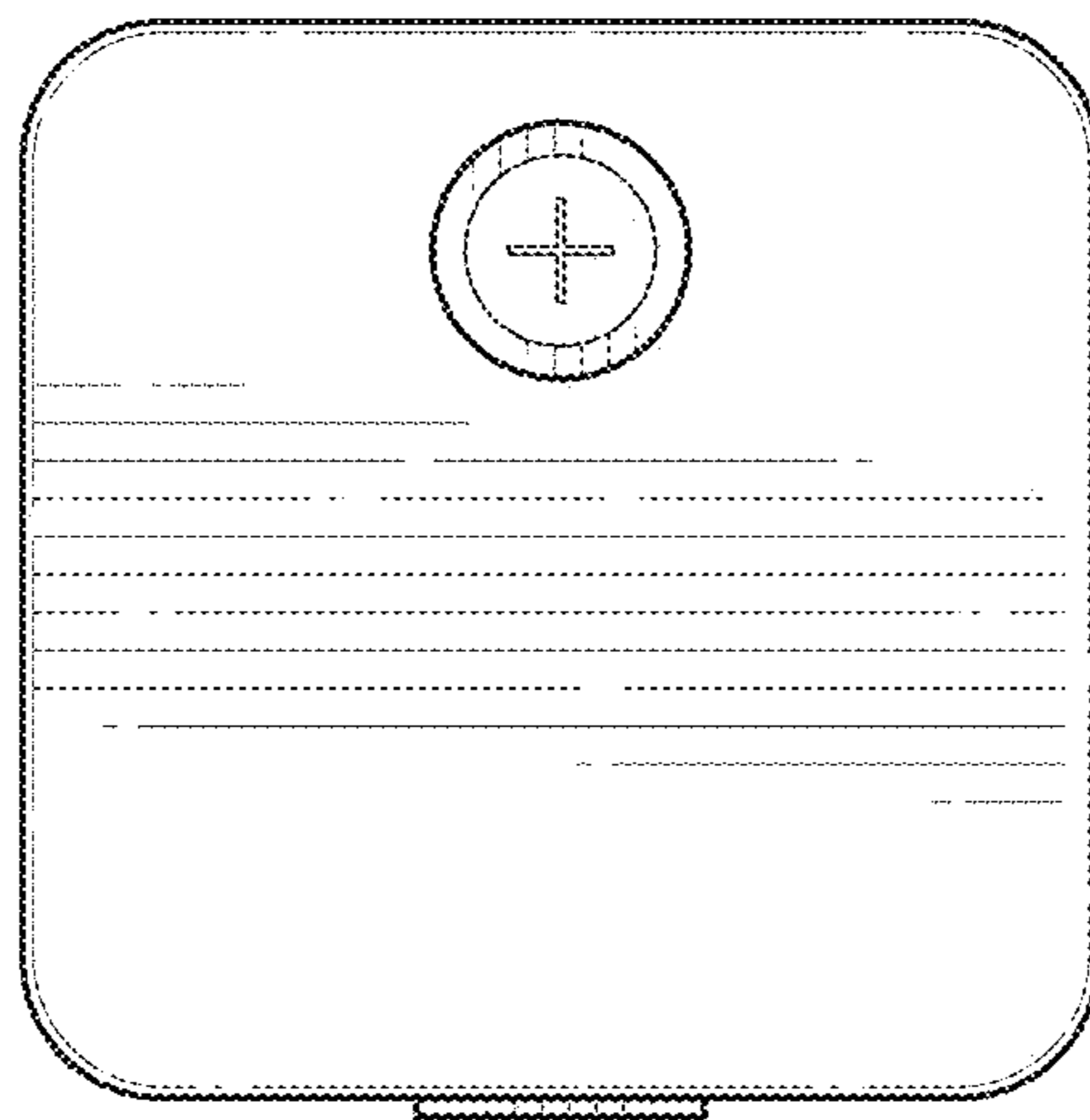


FIG. 6



**FIG. 7**



**FIG. 8**