



US00D887170S

(12) **United States Design Patent**
Lopez

(10) **Patent No.:** **US D887,170 S**
(45) **Date of Patent:** **** Jun. 16, 2020**

(54) **SOAP DISH**

(71) Applicant: **JOBAR INTERNATIONAL, INC.**,
Carson, CA (US)

(72) Inventor: **Octavio Lopez**, San Pedro, CA (US)

(73) Assignee: **JOBAR INTERNATIONAL, INC.**,
Carson, CA (US)

(**) Term: **15 Years**

(21) Appl. No.: **29/650,099**

(22) Filed: **Jun. 4, 2018**

(51) **LOC (12) Cl.** **23-02**

(52) **U.S. Cl.**
USPC **D6/532**

(58) **Field of Classification Search**
USPC D6/542, 545, 543, 544, 532, 536;
206/77.1; 221/282-283, 96, 132;
222/92, 105, 173, 180, 181.1, 181.2,
222/181.3, 282, 283

CPC B01L 3/52; B05B 11/3014; B05B 9/0403;
B05B 9/0426; C11D 17/08; A45D 19/02;
A47K 5/12; A47K 5/1202; A47K 5/1211;
A47K 5/02; A47K 1/08; A47K 5/00;
B67D 7/0255; A61Q 19/00; B65D 83/00

See application file for complete search history.

(56) **References Cited**

U.S. PATENT DOCUMENTS

D386,343 S * 11/1997 Moore D6/532
D416,415 S * 11/1999 Ming-Hsiao D6/540

D679,530 S * 4/2013 Gilboe D6/540
D777,470 S * 1/2017 Ho D6/536
D803,598 S * 11/2017 Li D6/536
D824,692 S * 8/2018 Kwiatkowski D6/536
D839,619 S * 2/2019 Umholtz D6/356

* cited by examiner

Primary Examiner — Wan Laymon

Assistant Examiner — Mark Booker

(74) *Attorney, Agent, or Firm* — Lewis Roca Rothgerber
Christie LLP

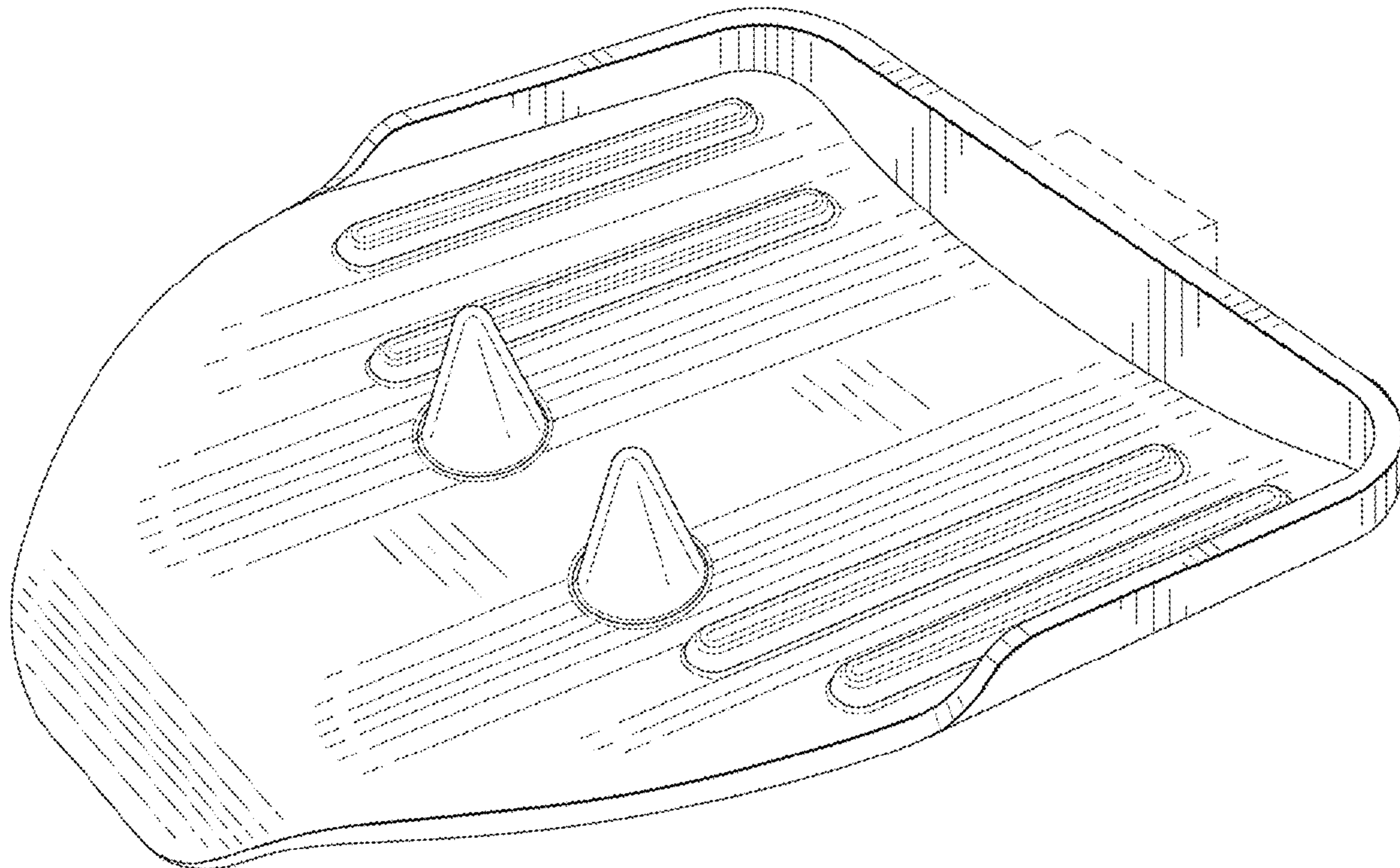
(57) **CLAIM**

The ornamental design for a soap dish, as shown and described.

DESCRIPTION

FIG. 1 is a perspective view of a soap dish design.
FIG. 2 is a top view thereof;
FIG. 3 is a left side view which is a mirror image of a right side view thereof;
FIG. 4 is a bottom view thereof;
FIG. 5 is a front view thereof;
FIG. 6 is a rear view thereof;
FIG. 7 is a perspective view mounted on a pedestal thereof; and,
FIG. 8 is a perspective view mounted on a pedestal thereof.
The broken lines shown in the figures represent portions of the soap dish that form no part of the claimed design. The dash-dot-dot-dash broken lines represents boundaries to the claimed design and form no part of the claimed design.

1 Claim, 7 Drawing Sheets



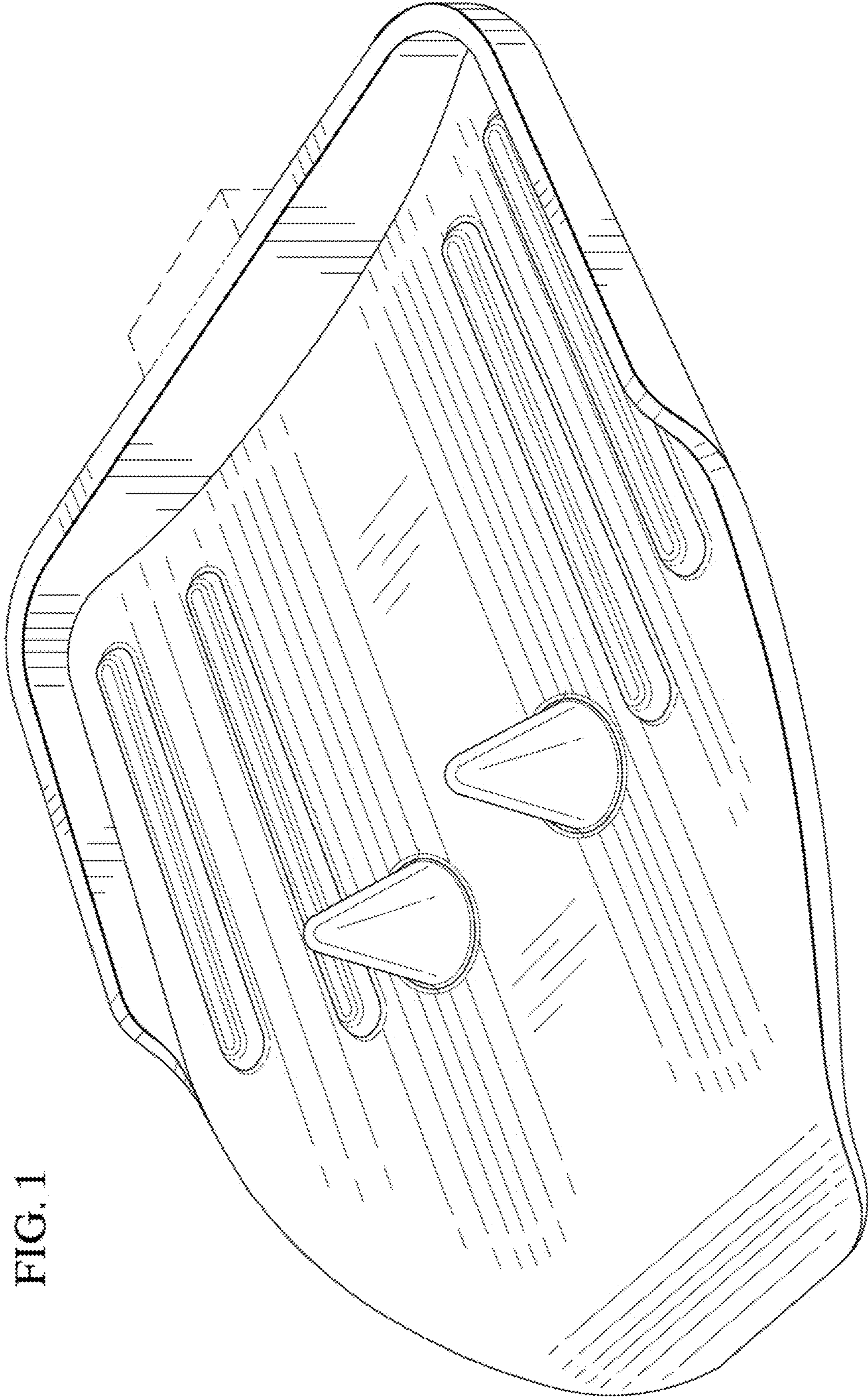


FIG. 1

FIG. 2

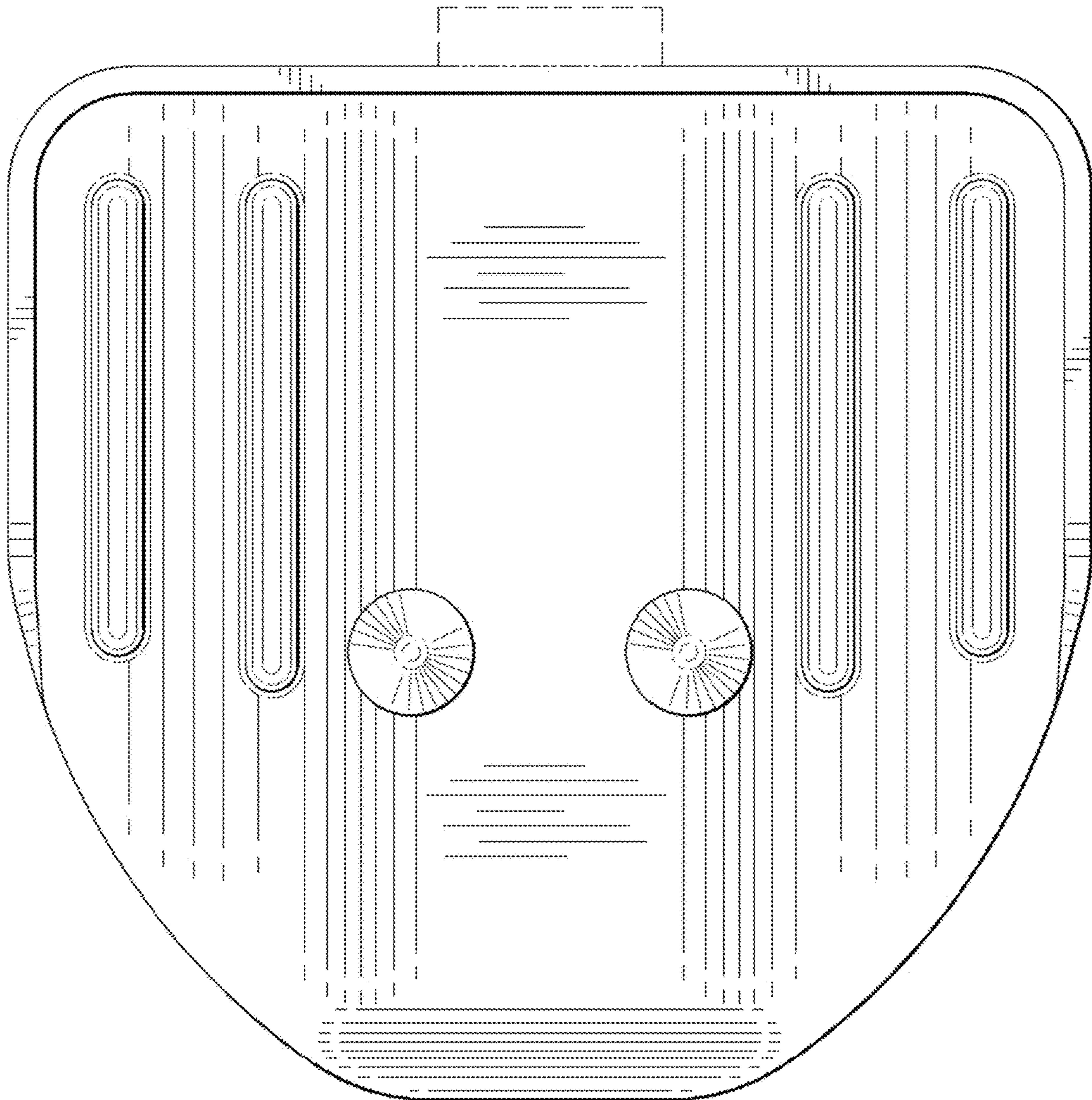


FIG. 3

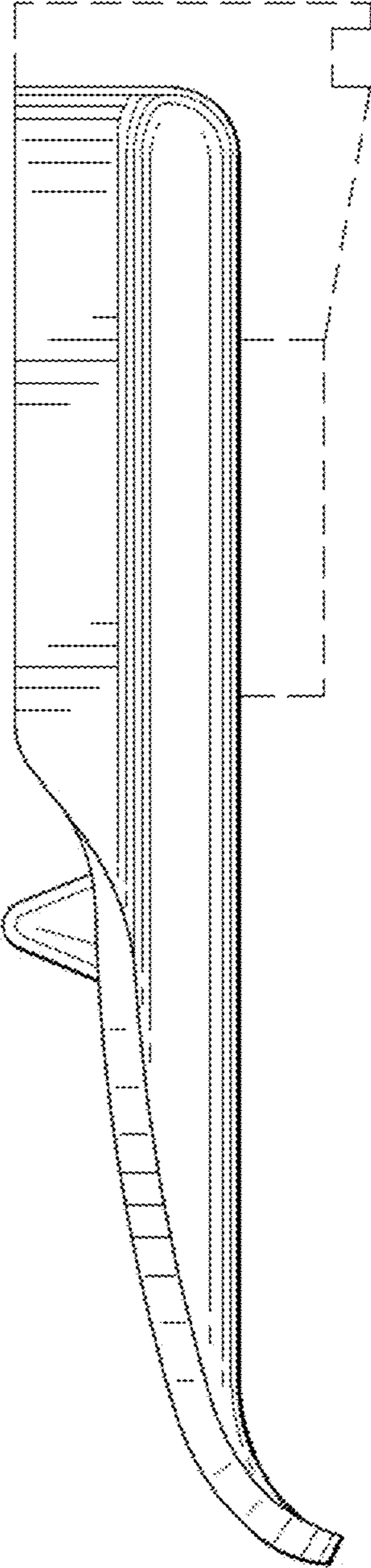


FIG. 4

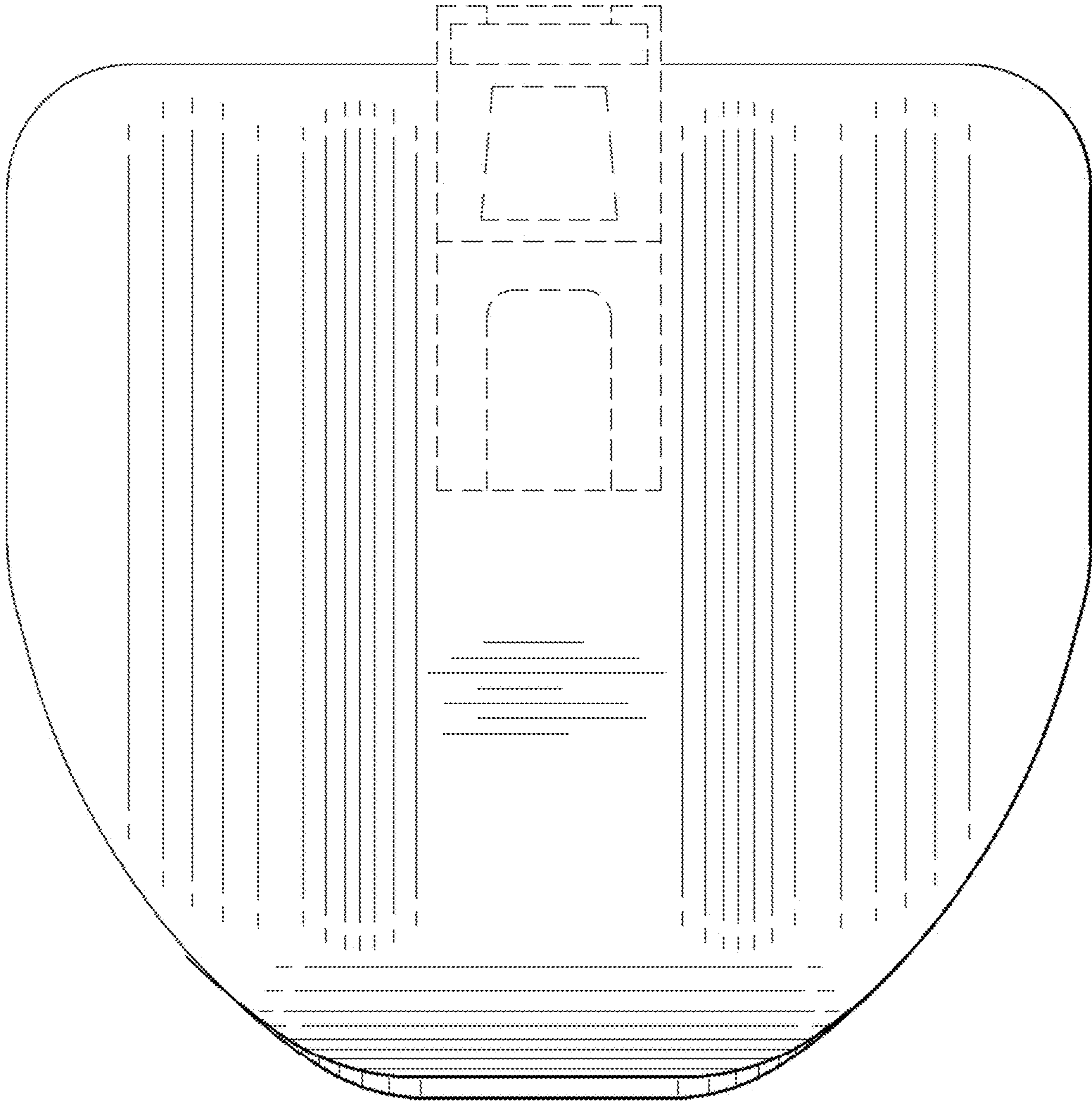


FIG. 5

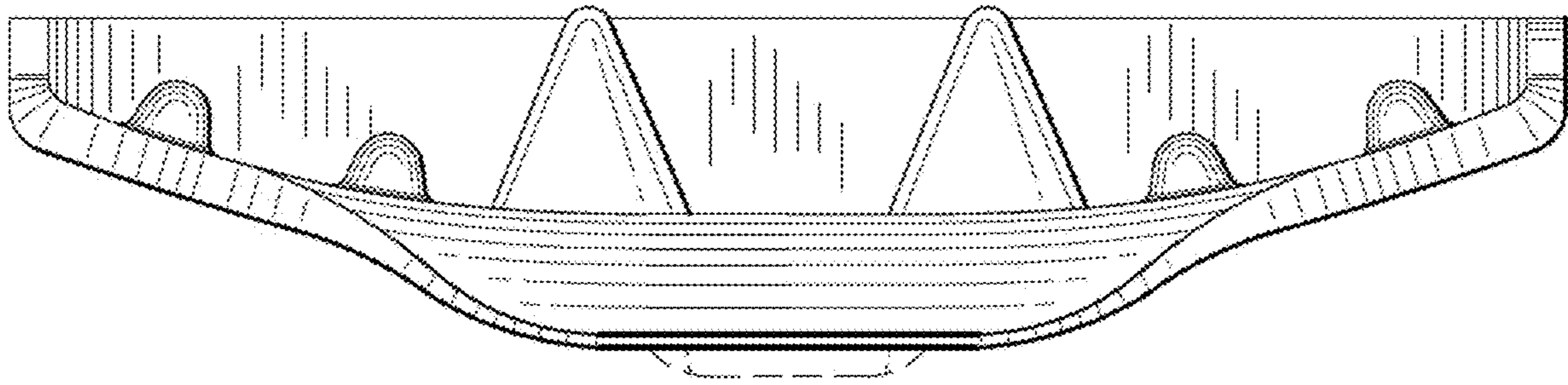


FIG. 6

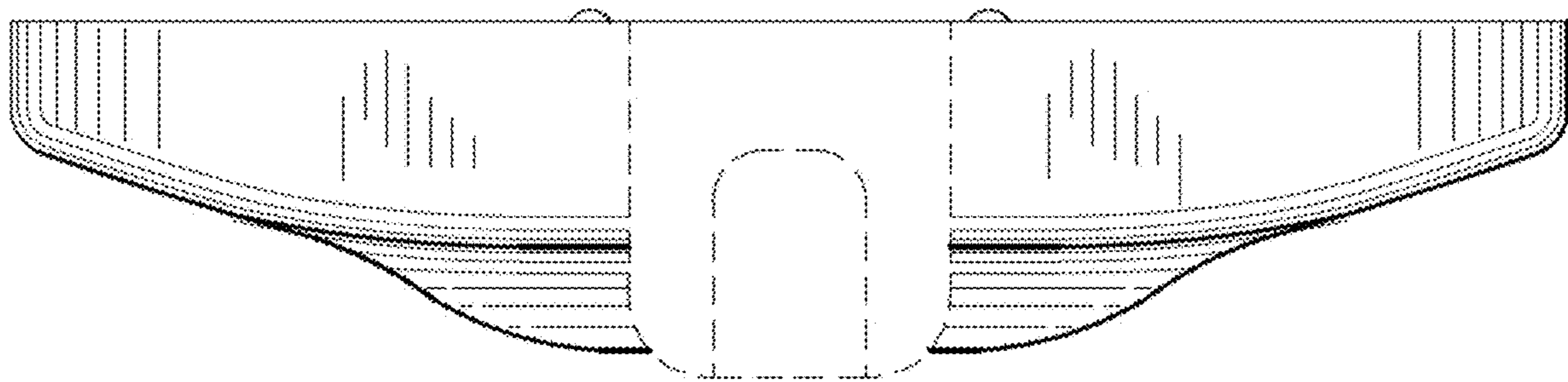
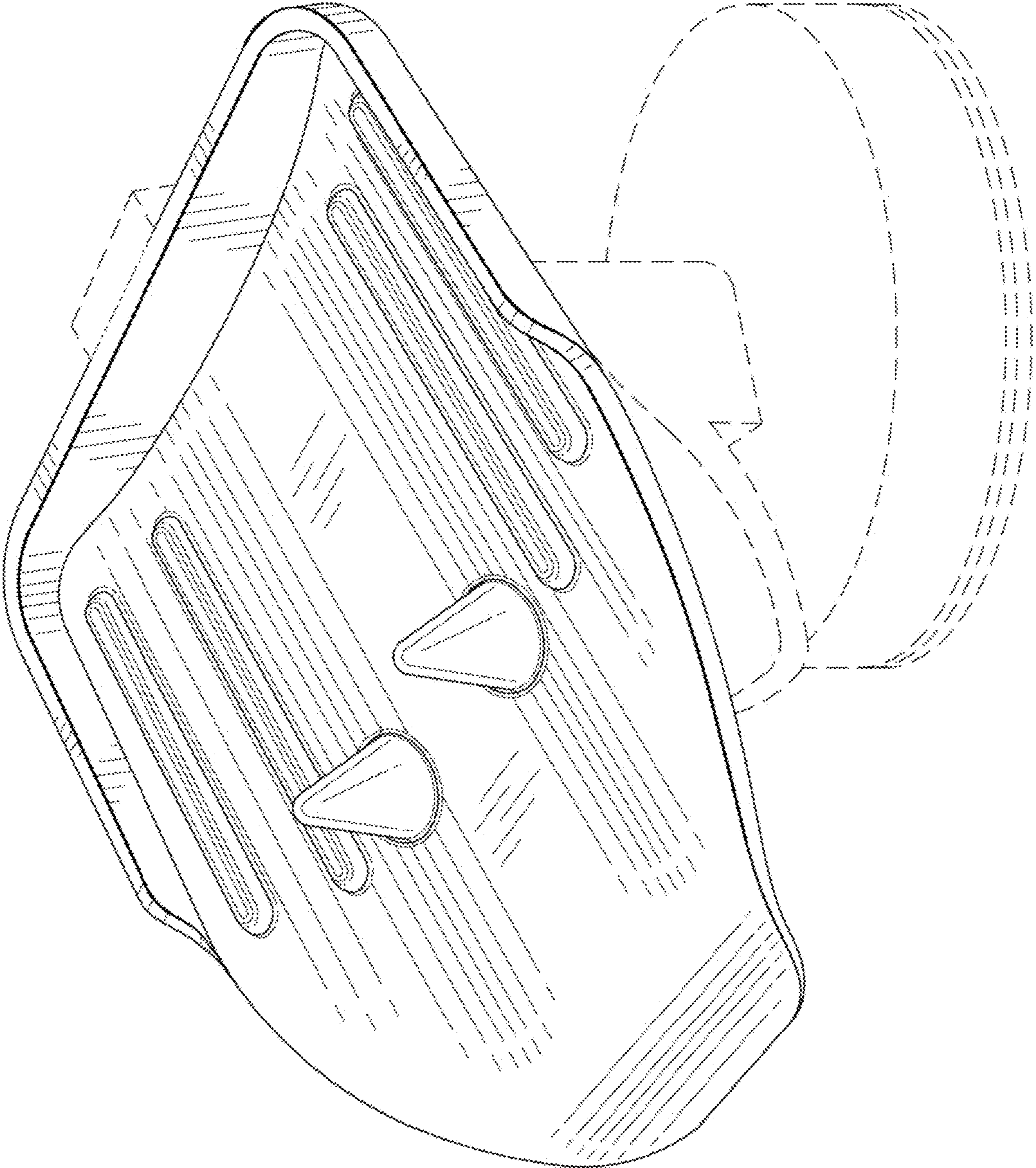


FIG. 7



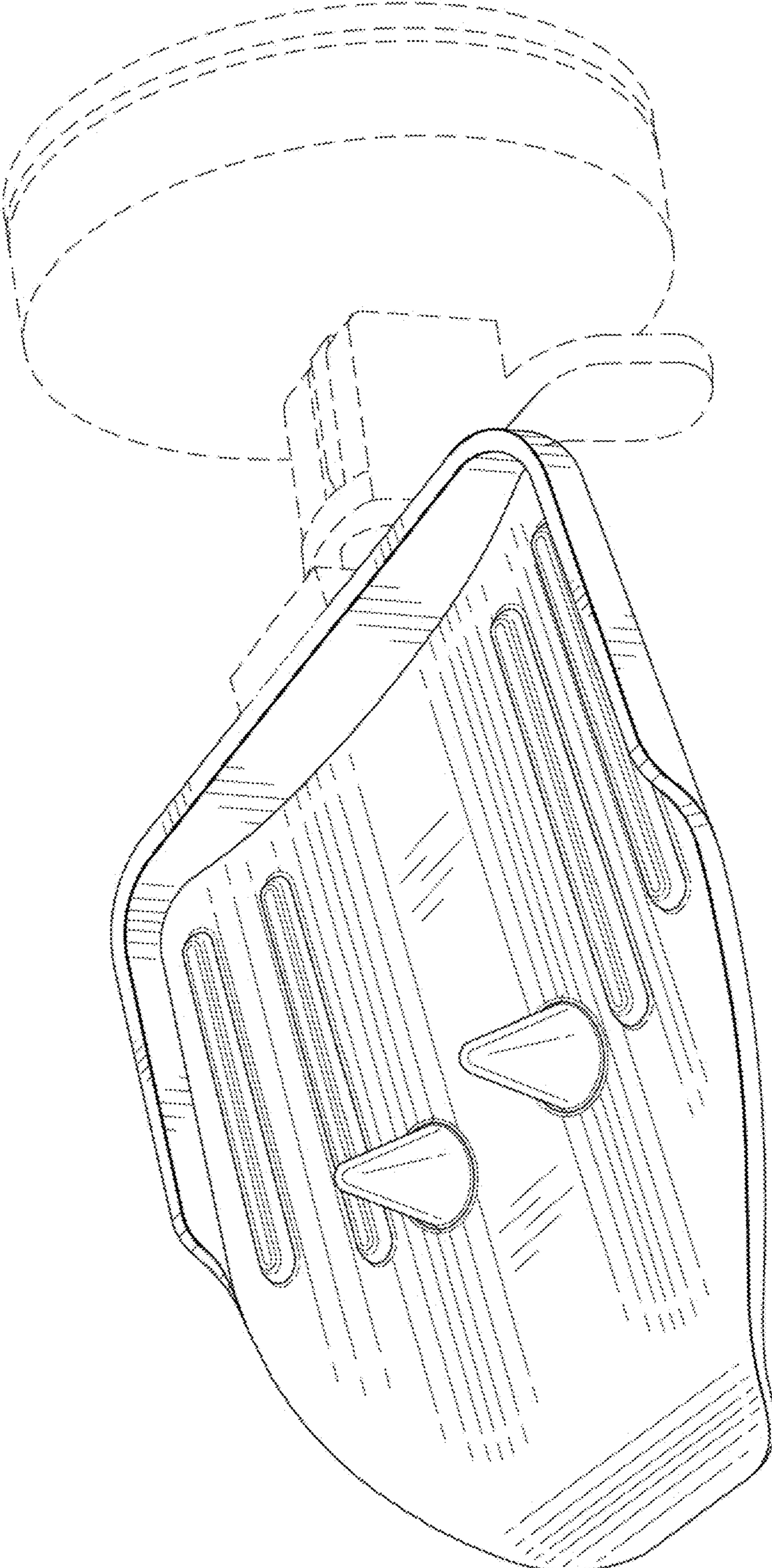


FIG. 8