



US00D887169S

(12) **United States Design Patent**  
**Kauffman et al.**

(10) **Patent No.:** **US D887,169 S**

(45) **Date of Patent:** **\*\* Jun. 16, 2020**

(54) **PAPER TOWEL HOLDER**

(71) Applicant: **FC Brands Limited**, Central Hong Kong (HK)

(72) Inventors: **Heather Tomasetti Kauffman**, Larchmont, NY (US); **Pieter Schouten**, Berkeley, CA (US); **Tal Chitayat**, New York, NY (US); **David Dennys Chitayat**, Shanghai (CN)

(73) Assignee: **FC Brands Limited**, Central Hong Kong (HK)

(\*\*) Term: **15 Years**

(21) Appl. No.: **29/682,081**

(22) Filed: **Mar. 1, 2019**

(51) **LOC (12) Cl.** ..... **20-02**

(52) **U.S. Cl.**  
USPC ..... **D6/521**

(58) **Field of Classification Search**  
USPC ..... D6/521, 518, 519, 520, 522; 206/389, 206/391; 211/13.1, 45, 59.1, 89.01; 242/570, 590, 597.7; 248/309.1, 309.2  
CPC ..... A47K 10/04; A47K 10/02; A47K 10/10; A47K 10/3836; A47K 2010/324; A47K 2010/389; B08B 1/006  
See application file for complete search history.

(56) **References Cited**

**U.S. PATENT DOCUMENTS**

D373,918 S \* 9/1996 Joergensen ..... D6/521  
D452,398 S \* 12/2001 Hollinger ..... D6/522

D479,072 S \* 9/2003 Duncan ..... D6/521  
D520,785 S \* 5/2006 Joseph ..... D6/521  
D545,599 S \* 7/2007 Yu ..... D6/521  
D610,382 S \* 2/2010 Yang ..... D6/521  
D635,806 S \* 4/2011 Bodum ..... D6/521

\* cited by examiner

*Primary Examiner* — Wan Laymon

*Assistant Examiner* — Mark Booker

(74) *Attorney, Agent, or Firm* — Pierce Atwood LLP

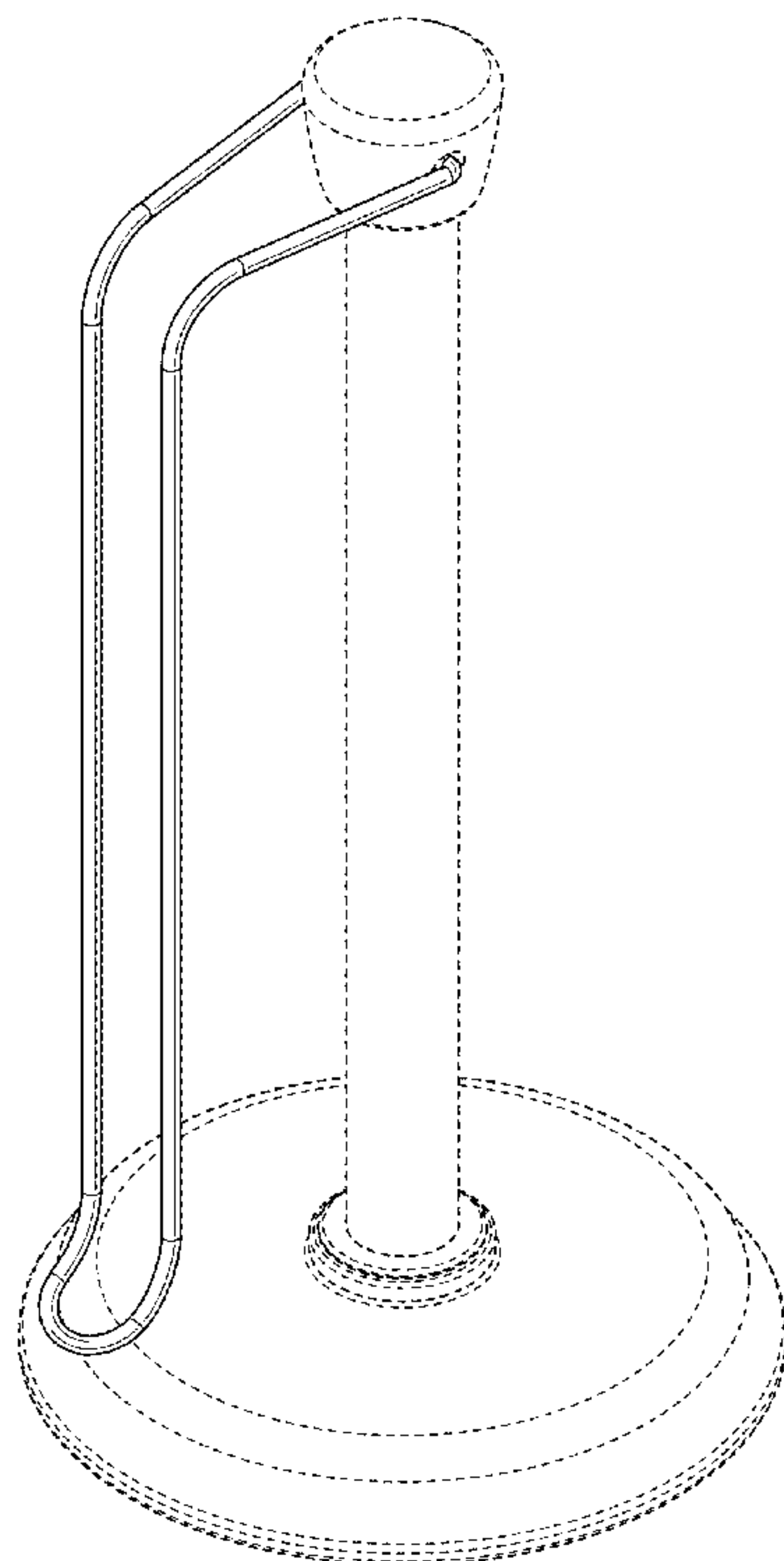
(57) **CLAIM**

The ornamental design for a paper towel holder, as shown and described.

**DESCRIPTION**

FIG. 1 is a front perspective view of a paper towel holder showing our new design;  
FIG. 2 is a front elevation view thereof;  
FIG. 3 is a rear elevation view thereof;  
FIG. 4 is a right side elevation view thereof;  
FIG. 5 is a left side elevation view thereof;  
FIG. 6 is the top plan view thereof; and,  
FIG. 7 is the bottom plan view thereof.  
The broken lines in the drawings depict portions of the paper towel holder that form no part of the claimed design. In particular, the paper towel holder base and associated rod form no part of the claimed design.

**1 Claim, 7 Drawing Sheets**



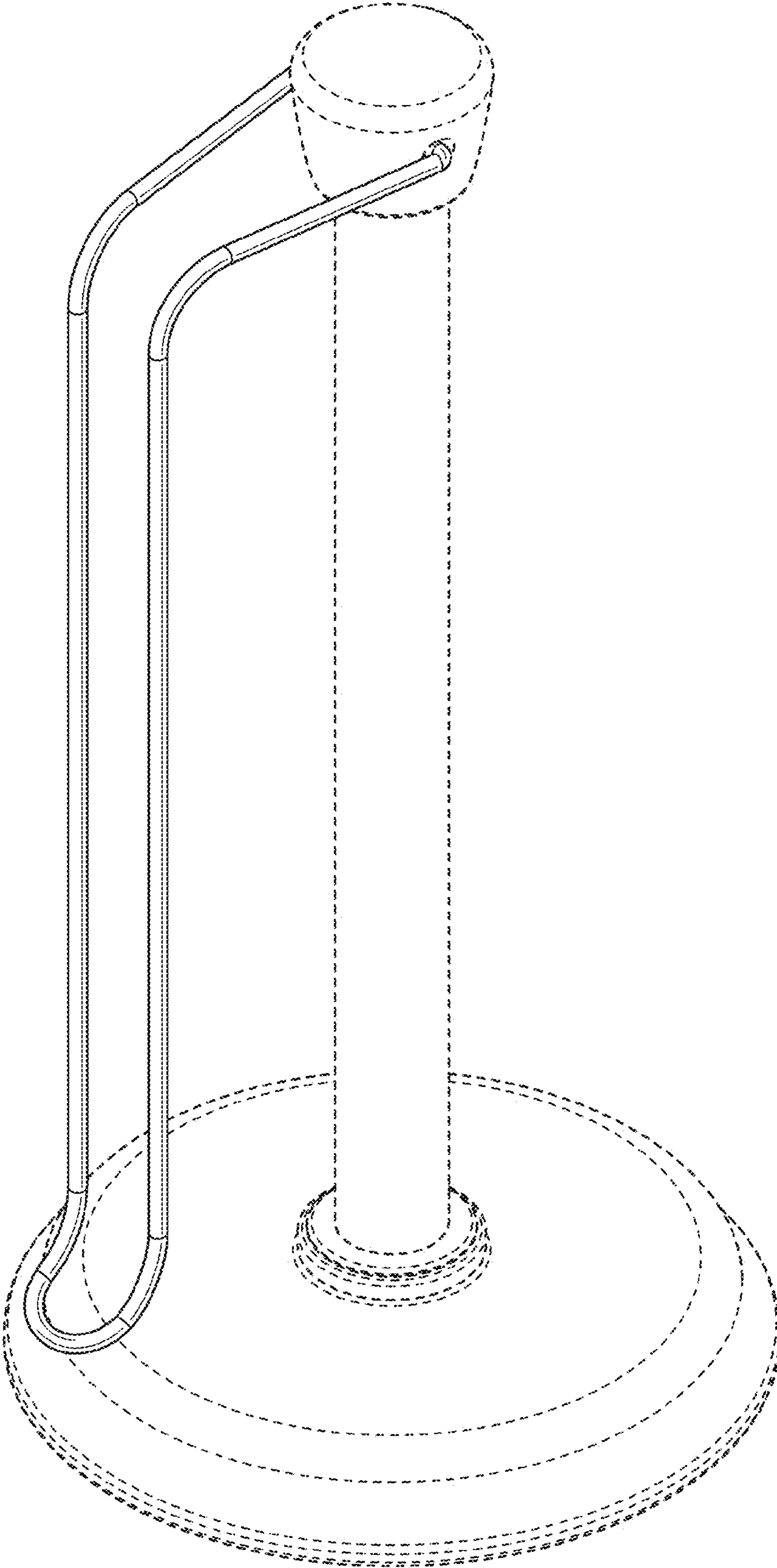


FIG. 1

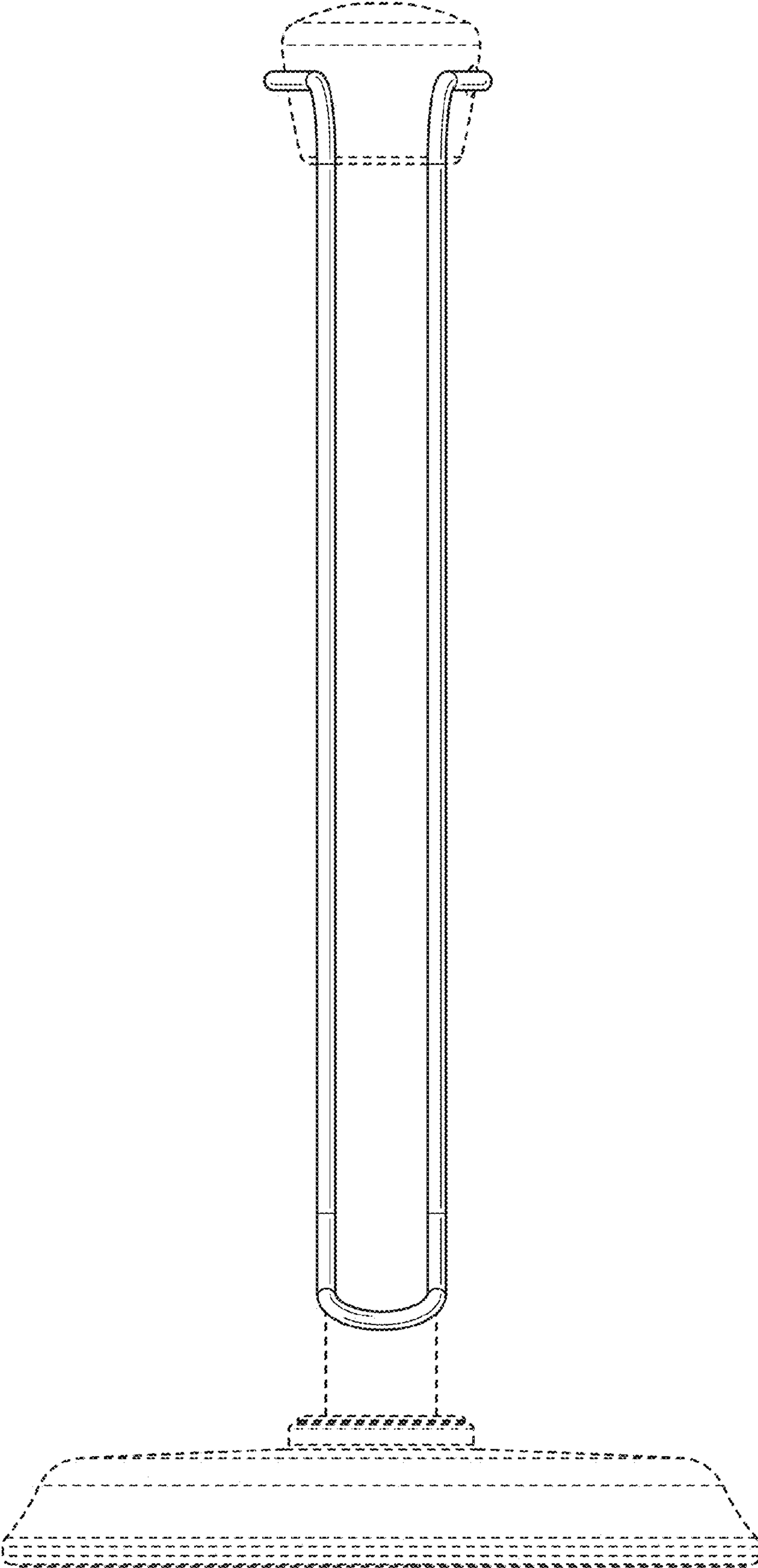


FIG. 2

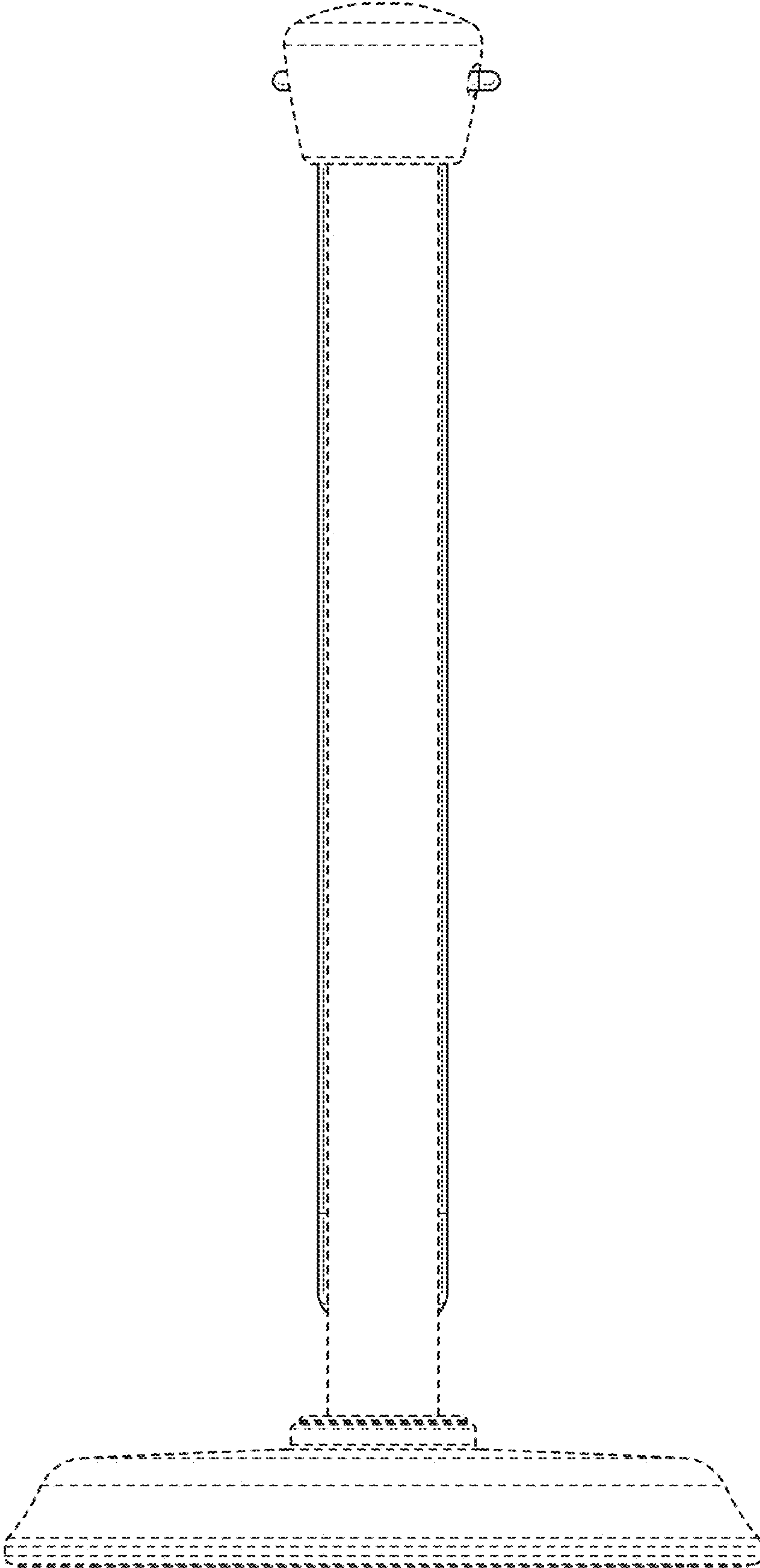


FIG. 3

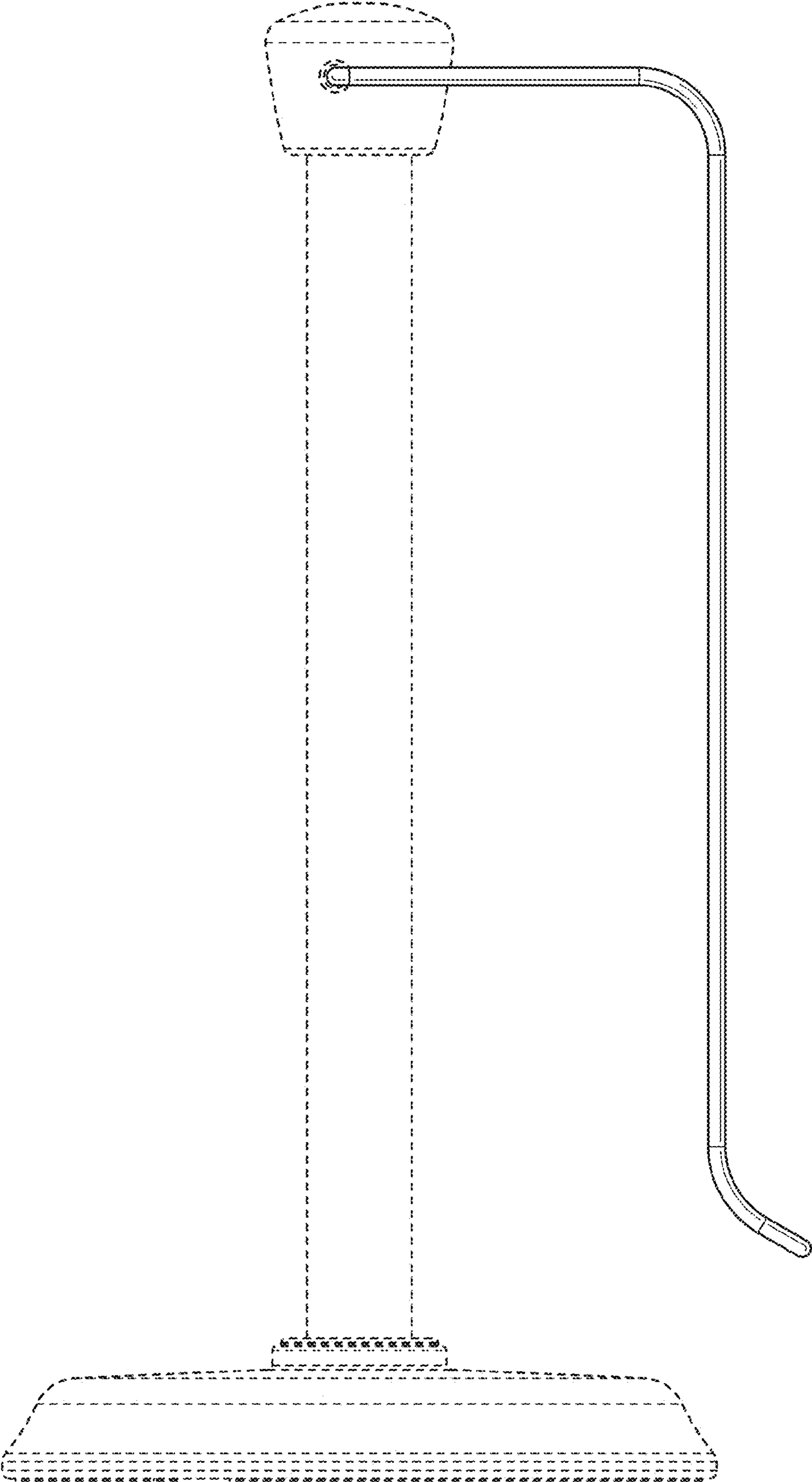


FIG. 4

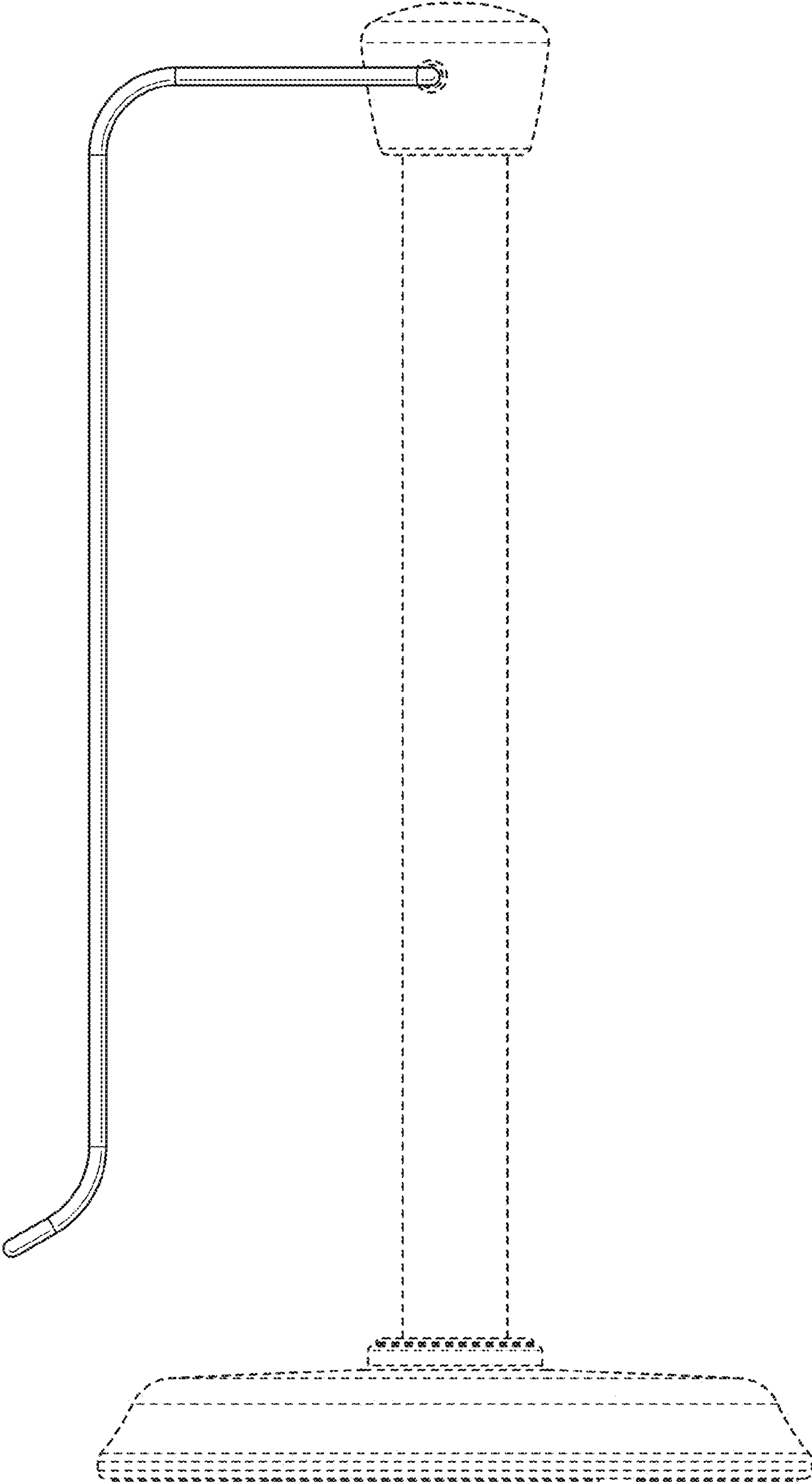


FIG. 5



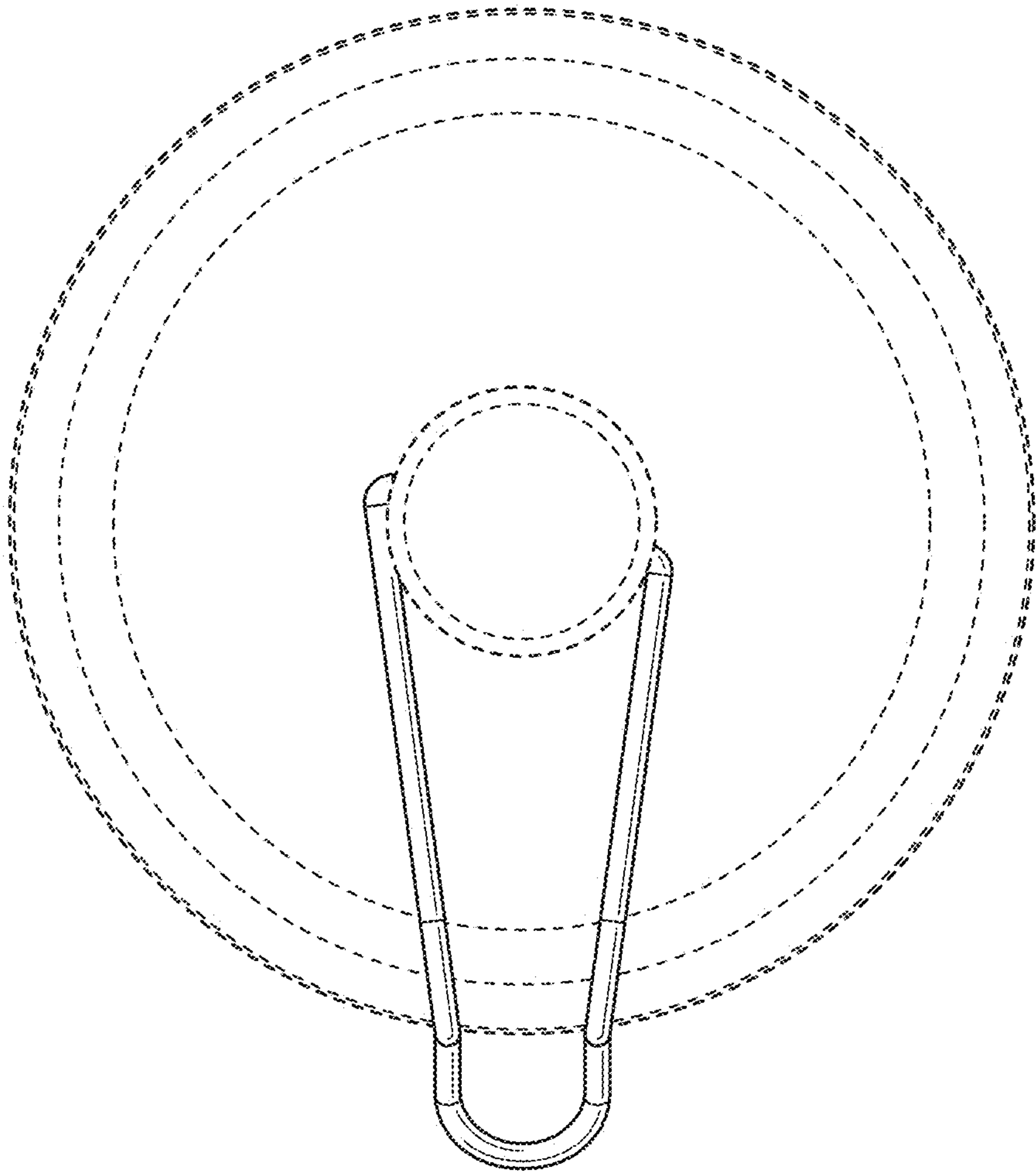


FIG. 6

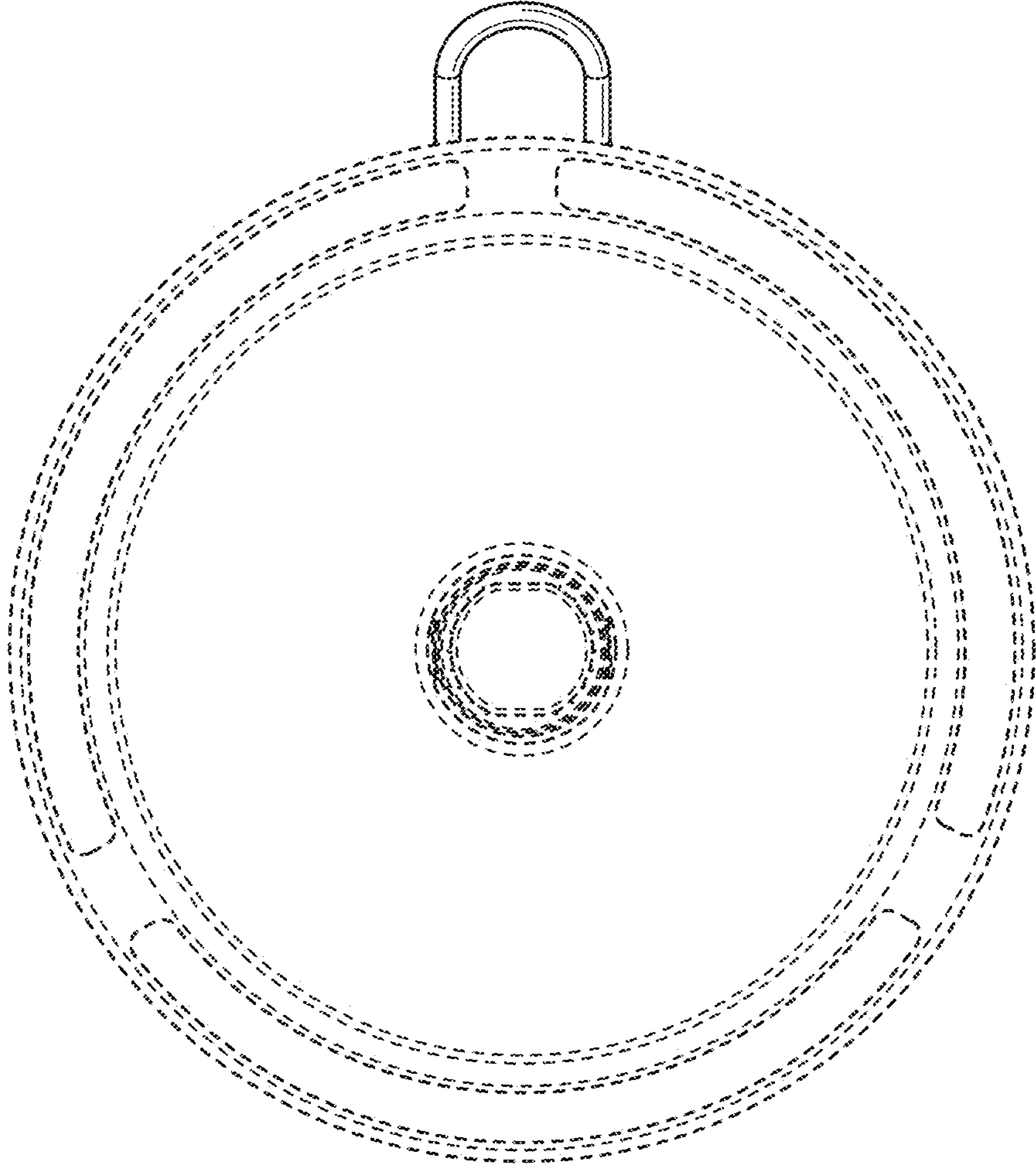


FIG. 7