



US00D887167S

(12) **United States Design Patent** (10) **Patent No.:** **US D887,167 S**  
**Carr et al.** (45) **Date of Patent:** **\*\* Jun. 16, 2020**

(54) **FLOOR MAT HANGER**  
(71) Applicant: **Custom Accessories Inc.**, Richmond, IL (US)

4,718,546 A 1/1988 Kolton et al.  
5,257,694 A 11/1993 Wallach  
6,422,524 B1 7/2002 Spagnuolo et al.  
(Continued)

(72) Inventors: **Jason D. Carr**, Bentleigh East (AU);  
**Warwick J. Brown**, North Melbourne (AU); **Marcus Krigsman**, Rosana (AU)

**FOREIGN PATENT DOCUMENTS**

AU 2013200875 A1 8/2014  
AU 2013202939 A1 8/2014  
(Continued)

(73) Assignee: **Custom Accessories Inc.**, Richmond, IL (US)

**OTHER PUBLICATIONS**

(\*\*) Term: **15 Years**  
(21) Appl. No.: **29/625,559**  
(22) Filed: **Nov. 10, 2017**

U.S. Patent and Trademark Office; Search Report and Written Opinion in International Patent Application No. PCT/US2017/042839 dated Sep. 29, 2017; 10 pages.

*Primary Examiner* — Wan Laymon  
*Assistant Examiner* — Mark Booker

**Related U.S. Application Data**

(62) Division of application No. 29/571,525, filed on Jul. 19, 2016, now Pat. No. Des. 815,852.

(74) *Attorney, Agent, or Firm* — Leydig, Voit & Mayer, Ltd.

(51) **LOC (12) Cl.** ..... **06-08**  
(52) **U.S. Cl.**  
USPC ..... **D6/513**

(57) **CLAIM**

The ornamental design for the floor mat hanger, as shown and described.

(58) **Field of Classification Search**  
USPC ..... D6/513, 315, 327, 512, 319; 223/85-98;  
248/215, 339; 30/123; D9/415  
CPC ..... A47G 25/26; A47G 25/28; A47G 25/30;  
A47G 25/32; A47G 25/34; A47G 25/36;  
A47G 25/38; A47G 25/442; A47G  
25/625; A47G 25/743; A47G 25/1407;  
A47G 25/1457; A47G 2025/1492; A47F  
7/18; A47F 7/19; A47F 7/22  
See application file for complete search history.

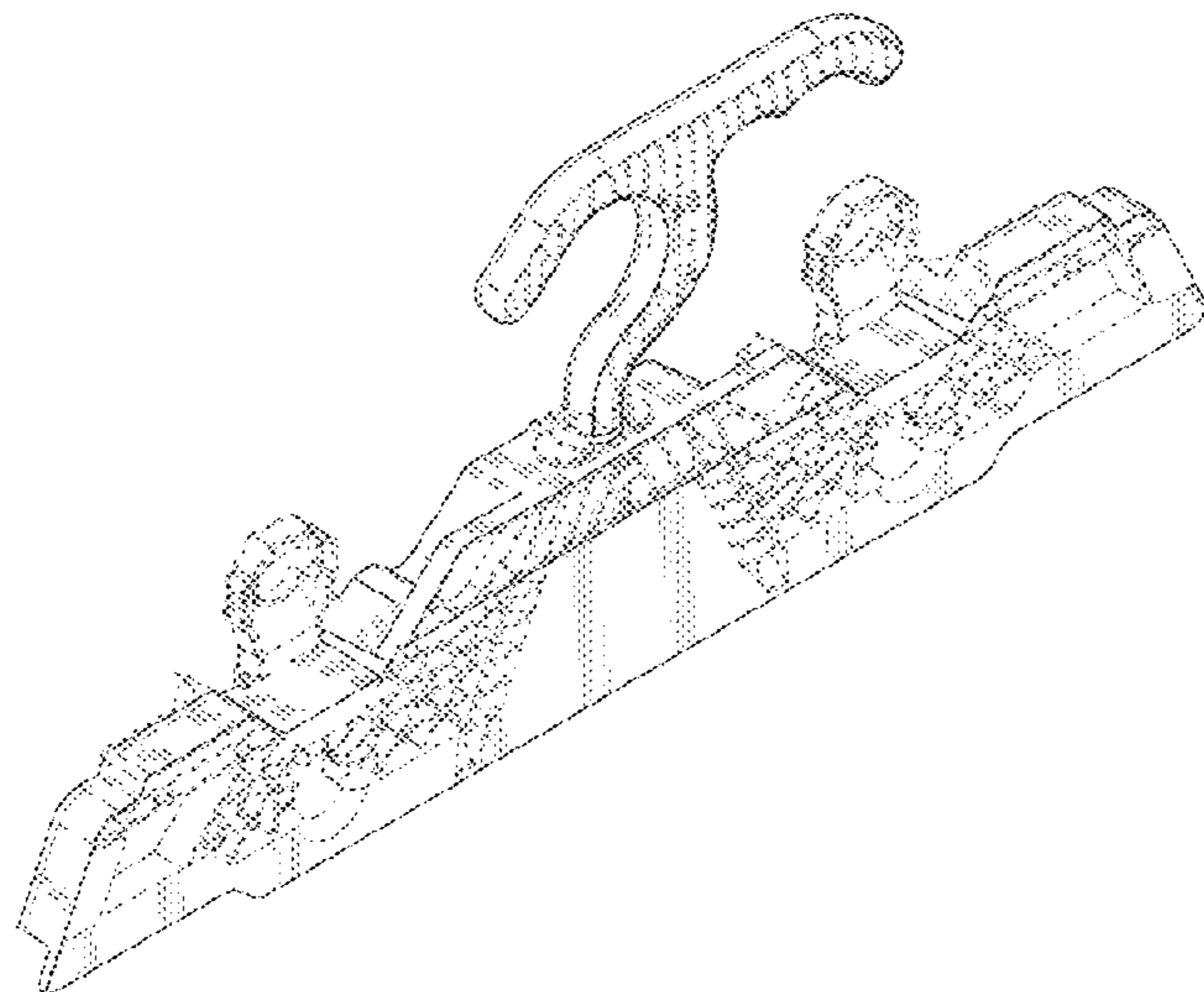
**DESCRIPTION**

FIG. 1 is a front perspective view of a floor mat hanger showing my new design;  
FIG. 2 is a rear perspective view thereof;  
FIG. 3 is a front elevation view thereof;  
FIG. 4 is a rear elevation view thereof;  
FIG. 5 is a left side elevation view thereof;  
FIG. 6 is a right side elevation view thereof;  
FIG. 7 is a top view thereof; and,  
FIG. 8 is a bottom view thereof.  
The broken dash lines shown in the drawing views represent non-claimed subject matter, and neither the lines themselves nor anything within the lines form any part of the claimed invention.

(56) **References Cited**  
U.S. PATENT DOCUMENTS

2,370,391 A 2/1945 Bolten et al.  
3,710,996 A 1/1973 Smilow et al.  
3,963,154 A 6/1976 Schwartz et al.  
4,074,838 A 2/1978 Blasnik et al.  
D287,085 S \* 12/1986 Leeds ..... D6/327

**1 Claim, 6 Drawing Sheets**



(56)

**References Cited**

U.S. PATENT DOCUMENTS

6,758,379 B1 7/2004 Elwell  
7,389,885 B2 6/2008 Masanek, Jr.  
8,087,520 B2 1/2012 Milella, Jr. et al.  
9,004,276 B2 4/2015 Brown et al.  
9,301,625 B2 4/2016 Fiumefreddo et al.  
D757,454 S \* 5/2016 Alesi ..... D6/315  
D792,113 S \* 7/2017 Tsujimoto ..... D6/319  
2004/0217249 A1 11/2004 Eisenbraun  
2013/0340259 A1\* 12/2013 Huang ..... A47F 7/16  
30/123  
2015/0102190 A1\* 4/2015 Fiumefreddo ..... A47F 5/0006  
248/215  
2016/0023840 A1 1/2016 Matthews et al.

FOREIGN PATENT DOCUMENTS

DE 29500448 U1 4/1995  
EP 2135529 A1 12/2009  
GB 2203033 A 10/1988  
GB 2377631 A 1/2003

\* cited by examiner

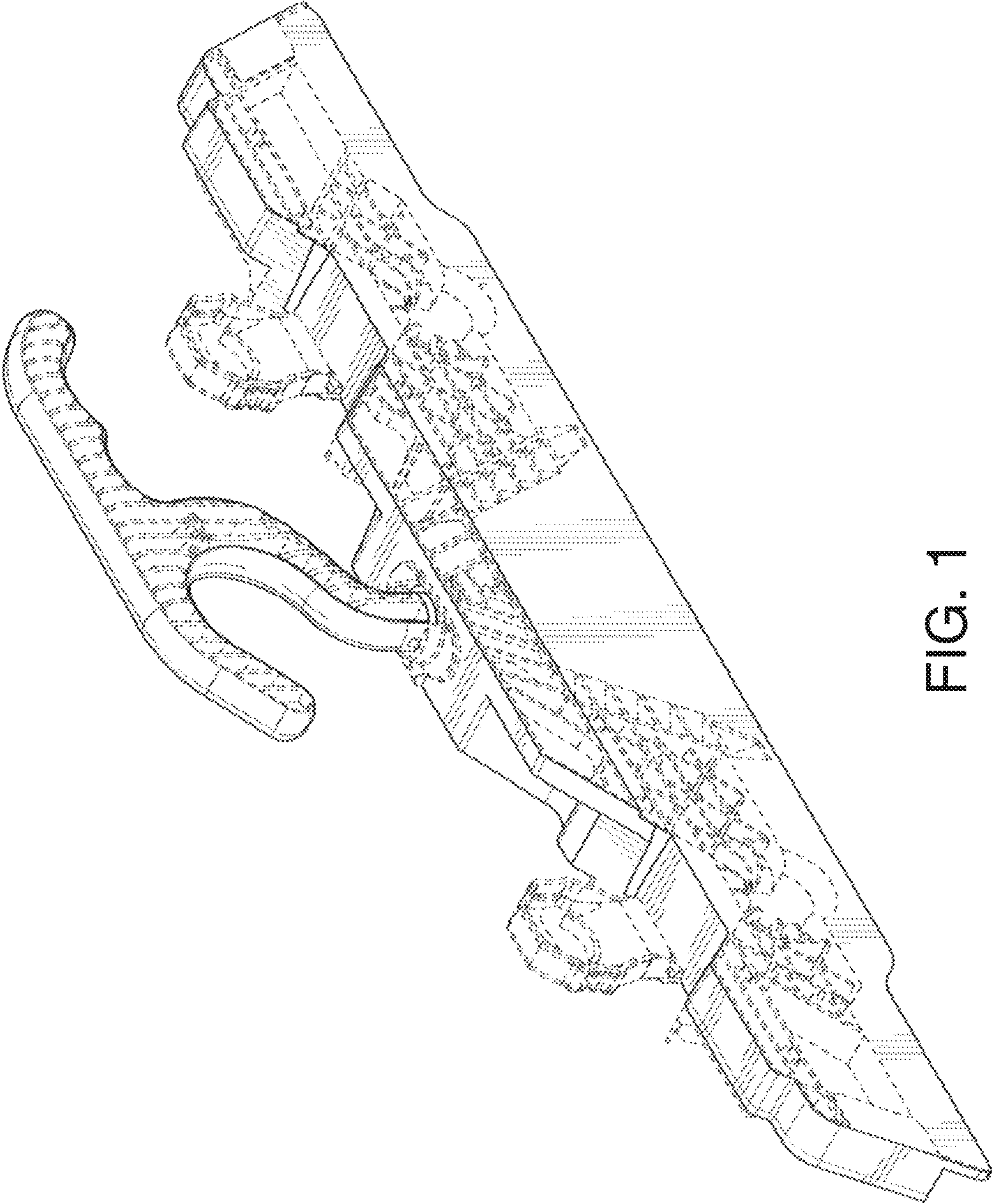


FIG. 1

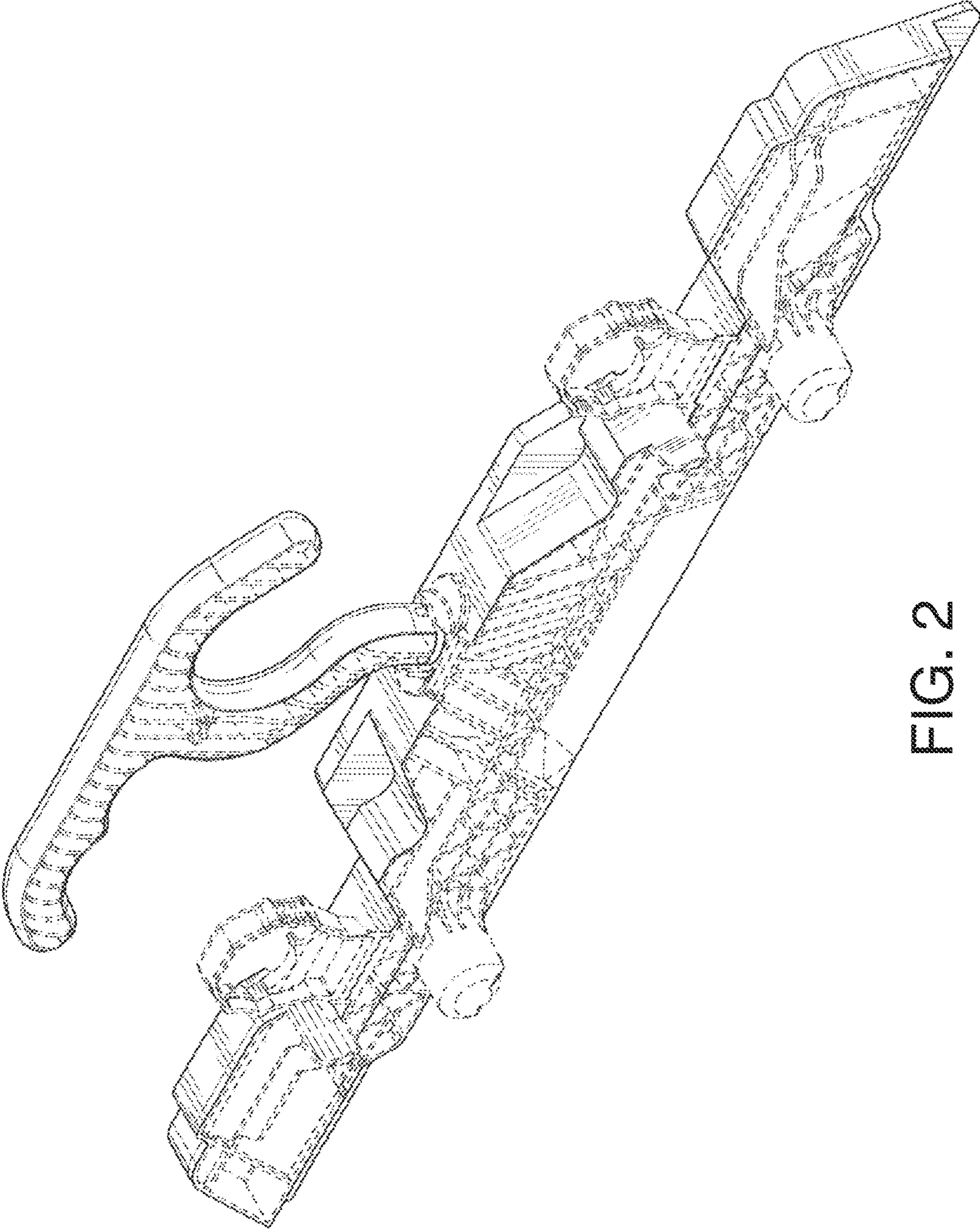


FIG. 2

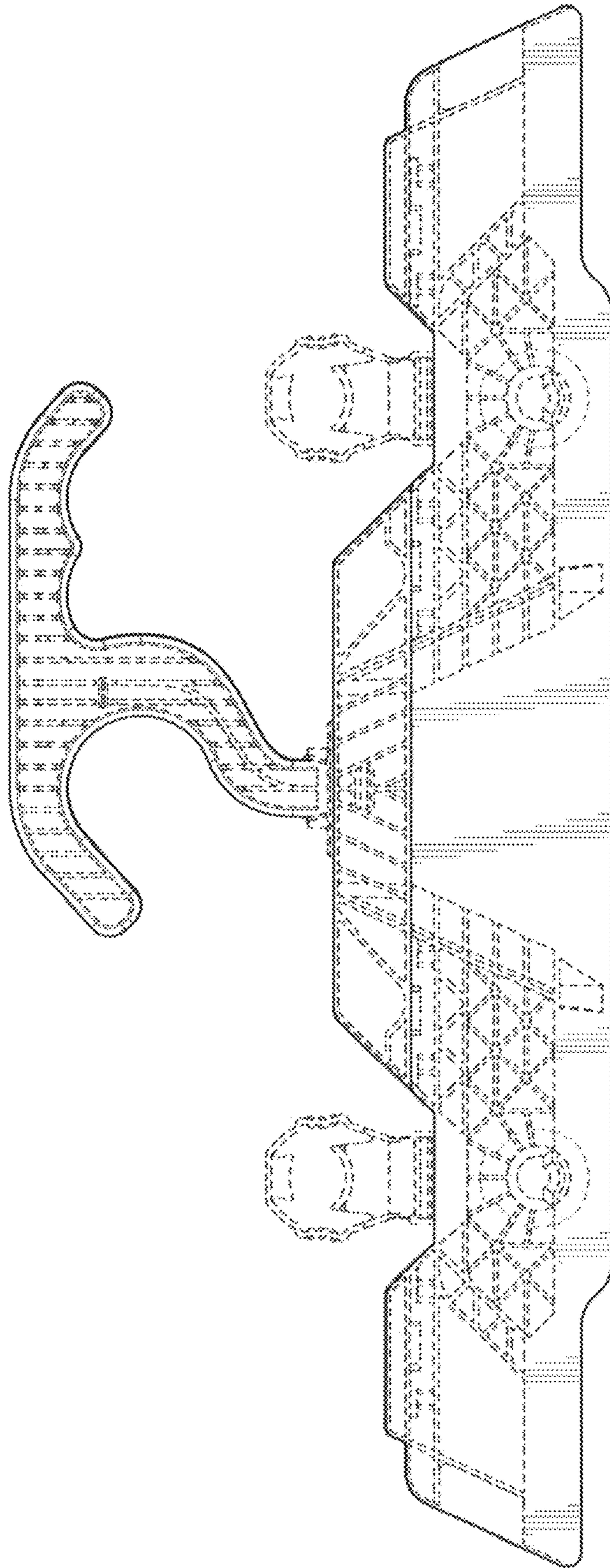


FIG. 3

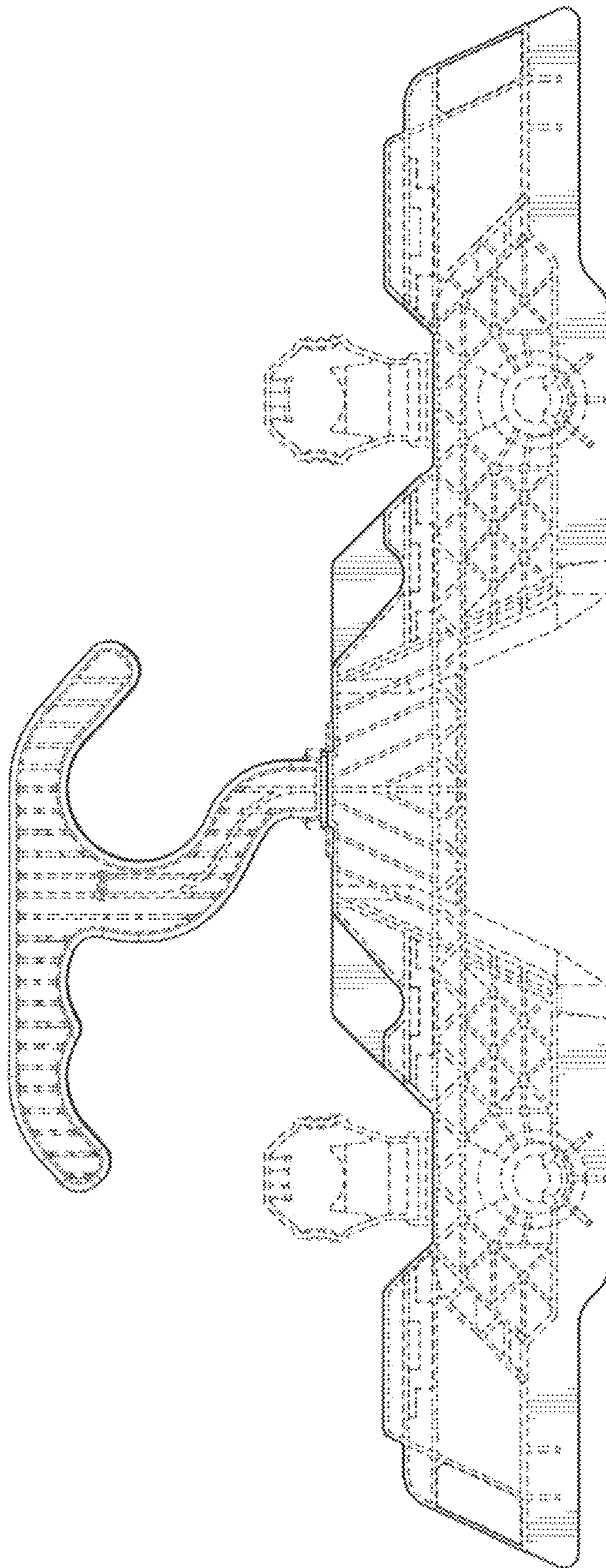


FIG. 4

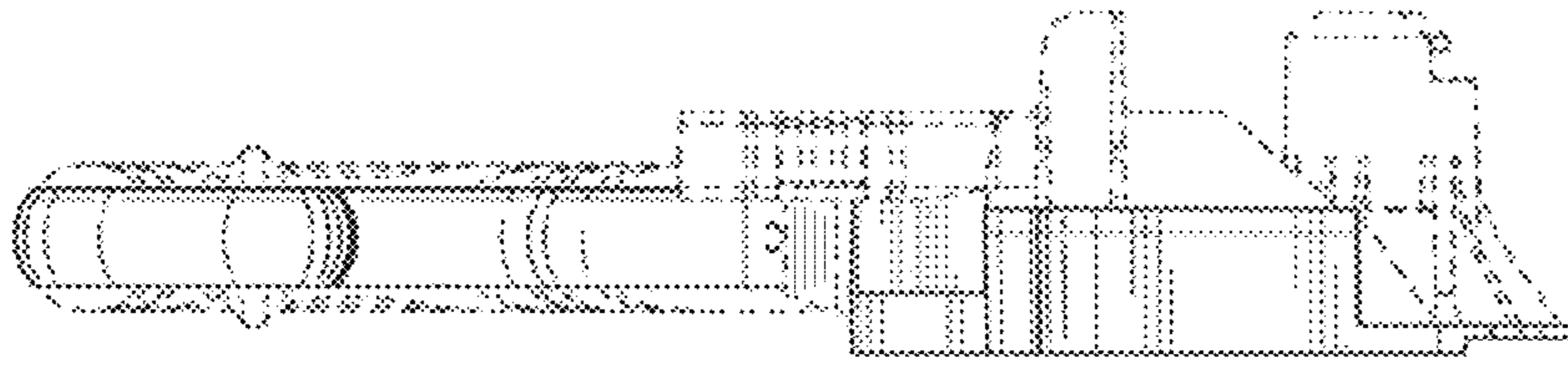


FIG. 6

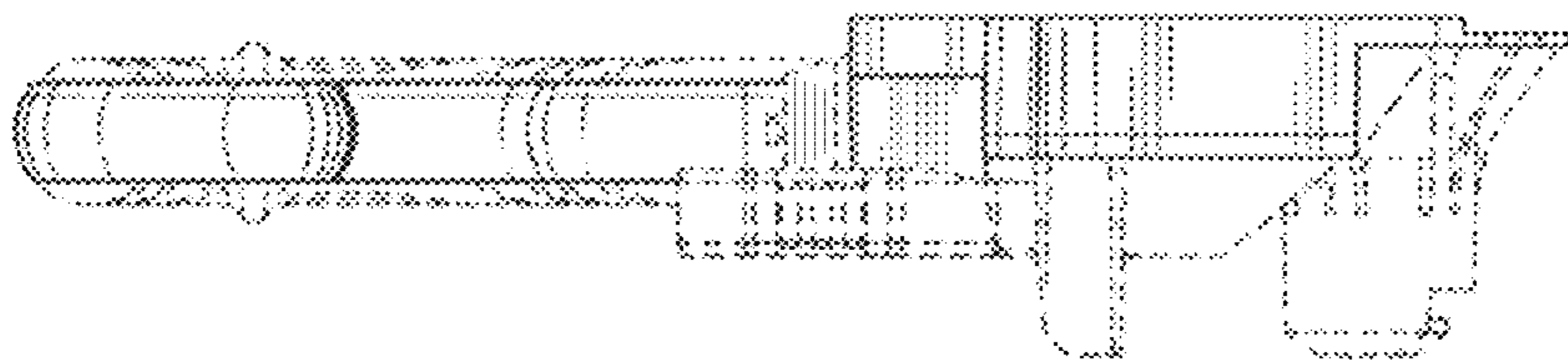


FIG. 5

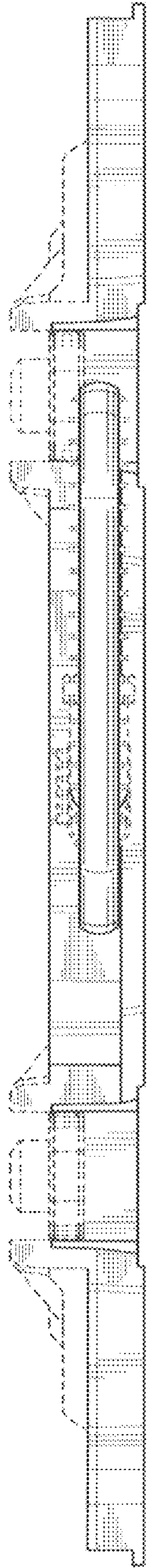


FIG. 7

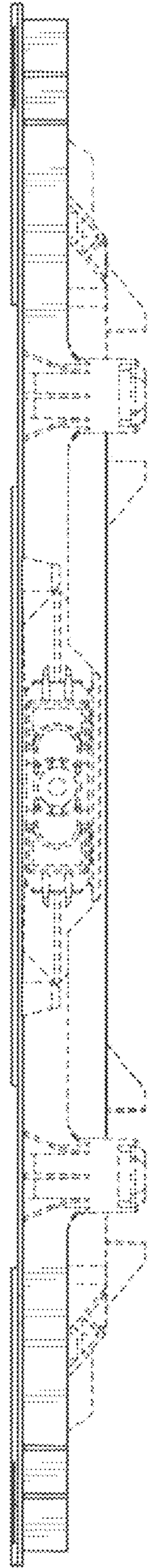


FIG. 8