



US00D887166S

(12) **United States Design Patent**
Ren et al.

(10) **Patent No.:** **US D887,166 S**
(45) **Date of Patent:** **** Jun. 16, 2020**

(54) **LAP TABLE**

(71) Applicant: **SHENZHEN VGOODE TECHNOLOGIES CO., LTD.**,
Shenzhen (CN)

(72) Inventors: **Huaide Ren**, Anaheim, CA (US); **Ying Zhang**, Anaheim, CA (US); **Yuan Huo**, Anaheim, CA (US); **Cheng Liu**, Anaheim, CA (US)

(73) Assignee: **SHENZHEN VGOODE TECHNOLOGIES CO., LTD.**,
Shenzhen (CN)

(**) Term: **15 Years**

(21) Appl. No.: **29/696,538**

(22) Filed: **Jun. 28, 2019**

(51) **LOC (12) Cl.** **06-06**

(52) **U.S. Cl.**
USPC **D6/406.5**

(58) **Field of Classification Search**
USPC D6/406.1, 406.3, 406.5, 406.6, 512,
D6/685-686, 691, 704, 705; D7/550.1,
D7/552.2, 554.3, 555
CPC A47G 23/06; A47G 23/08; A47G 29/093
See application file for complete search history.

(56) **References Cited**

U.S. PATENT DOCUMENTS

D289,247 S *	4/1987	Wang	D6/406.6
D293,493 S *	12/1987	Garr	D6/406.6
5,081,936 A *	1/1992	Drieling	B60N 3/002
				108/25
D356,009 S *	3/1995	Branch	D6/406.5
D373,198 S *	8/1996	Hill	D24/230

D443,999 S *	6/2001	Cable	D6/406.4
D512,245 S *	12/2005	Bean	D6/406.3
D517,833 S *	3/2006	Jennings	D6/406.5
D583,164 S *	12/2008	Jennings	D6/406.6
D606,774 S *	12/2009	Kohli	D6/406.6
D609,027 S *	2/2010	Jennings	D6/406.5
D619,823 S *	7/2010	Jennings	D6/406.3
D627,986 S *	11/2010	Brownlow	D6/406.3
D663,546 S *	7/2012	Jennings	D6/406.3
D797,109 S *	9/2017	Pisapia	D14/447
D836,937 S *	1/2019	Sullins	D6/406.3
D843,752 S *	3/2019	Sullins	D6/406.5
D853,147 S *	7/2019	Chen	D6/406.5

* cited by examiner

Primary Examiner — Kelley A Donnelly

(74) *Attorney, Agent, or Firm* — Anova Law Group, PLLC

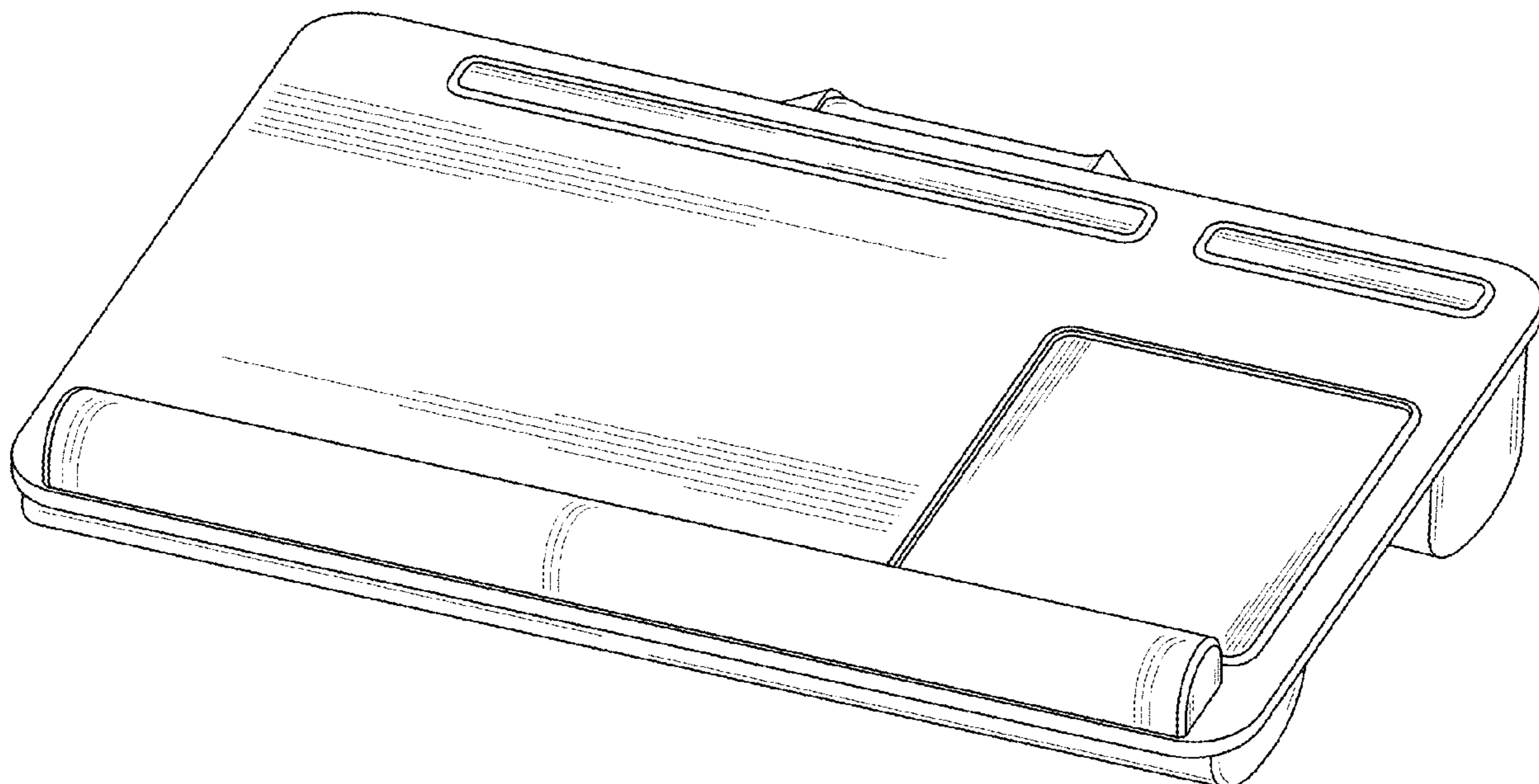
(57) **CLAIM**

The ornamental design for a lap table, as shown and described.

DESCRIPTION

FIG. 1 is a perspective view of a lap table in accordance with the present disclosure;
 FIG. 2 is a front view of the lap table shown in FIG. 1;
 FIG. 3 is a rear view of the lap table shown in FIG. 1;
 FIG. 4 is a left view of the lap table shown in FIG. 1;
 FIG. 5 is a right view of the lap table shown in FIG. 1;
 FIG. 6 is a top view of the lap table shown in FIG. 1;
 FIG. 7 is a bottom view of the lap table shown in FIG. 1;
 FIG. 8 is a cross-sectional view of the lap table along 8-8 line in FIG. 2;
 FIG. 9 is a cross-sectional view of the lap table along 9-9 line in FIG. 2;
 FIG. 10 is an enlarged view of section 10 in FIG. 8; and,
 FIG. 11 is an enlarged view of section 11 in FIG. 9.

1 Claim, 10 Drawing Sheets



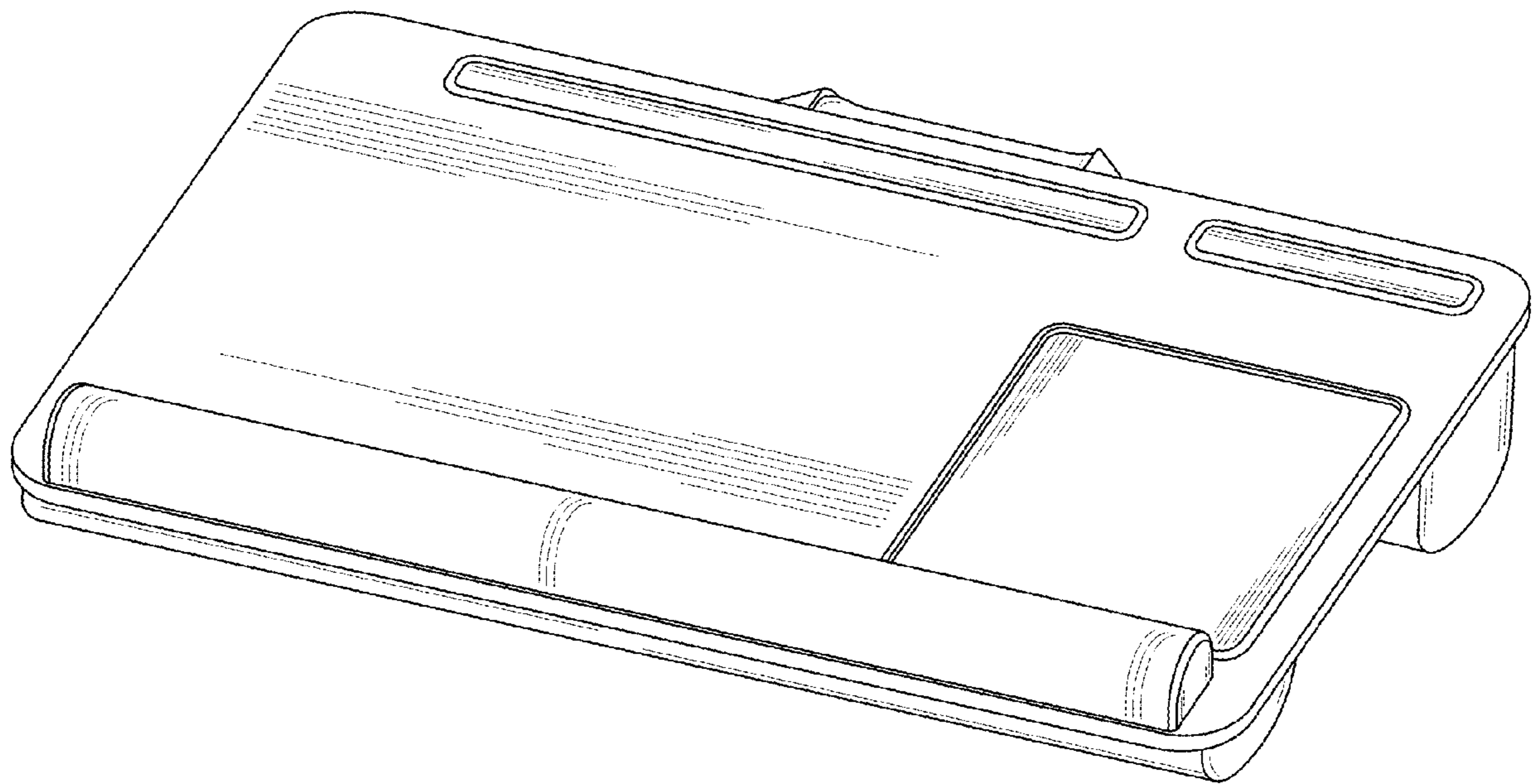


FIG. 1

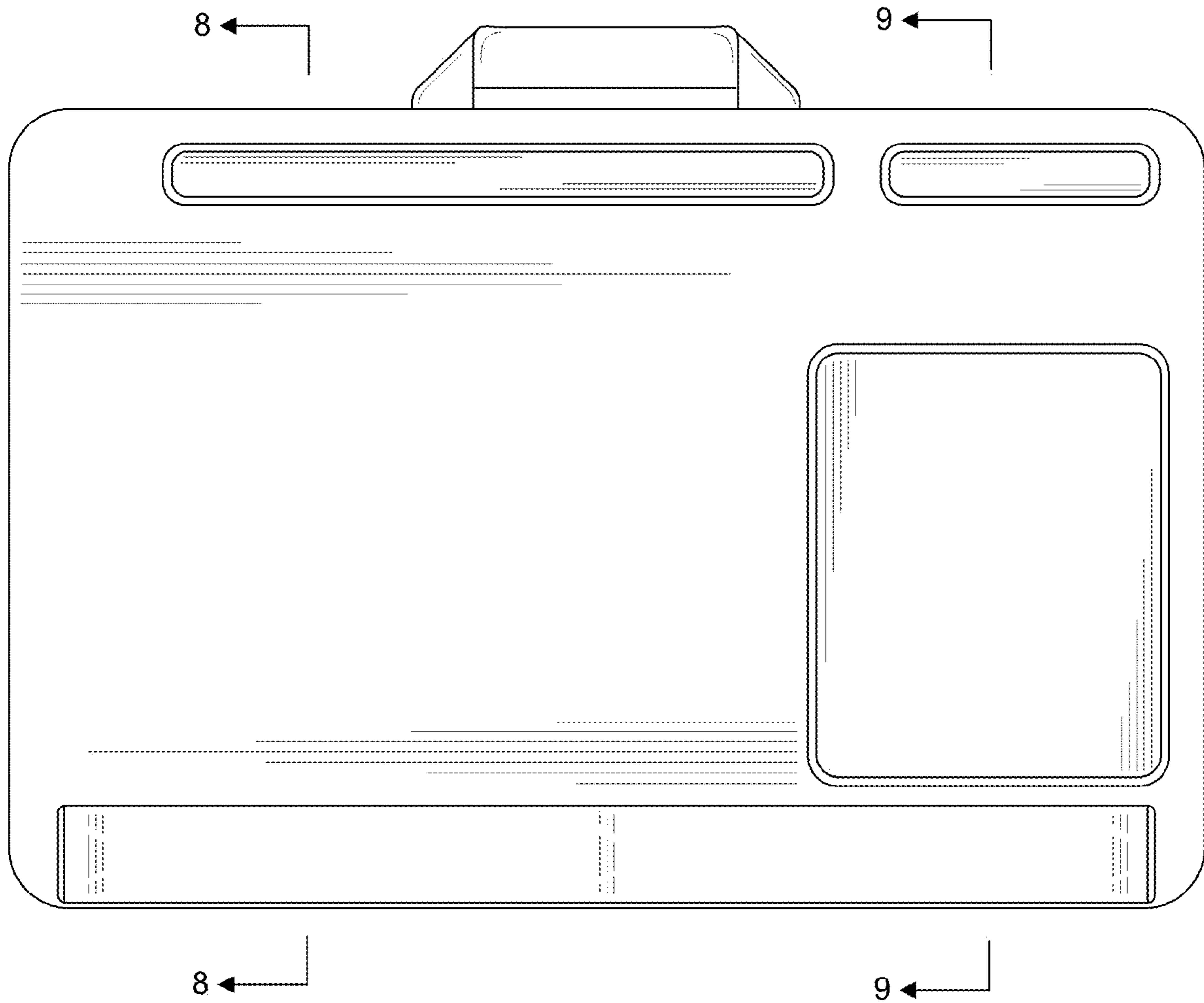


FIG. 2

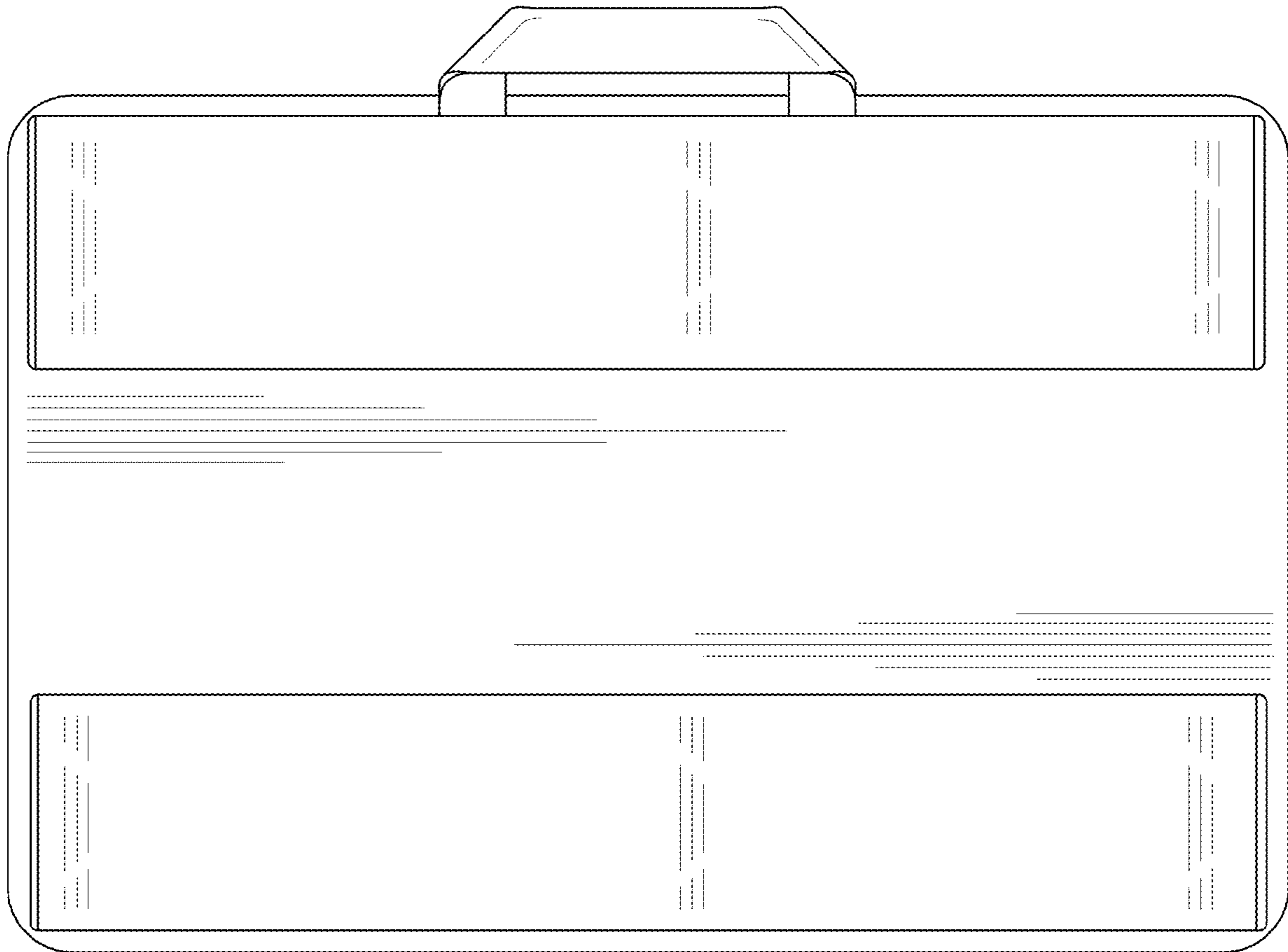


FIG. 3

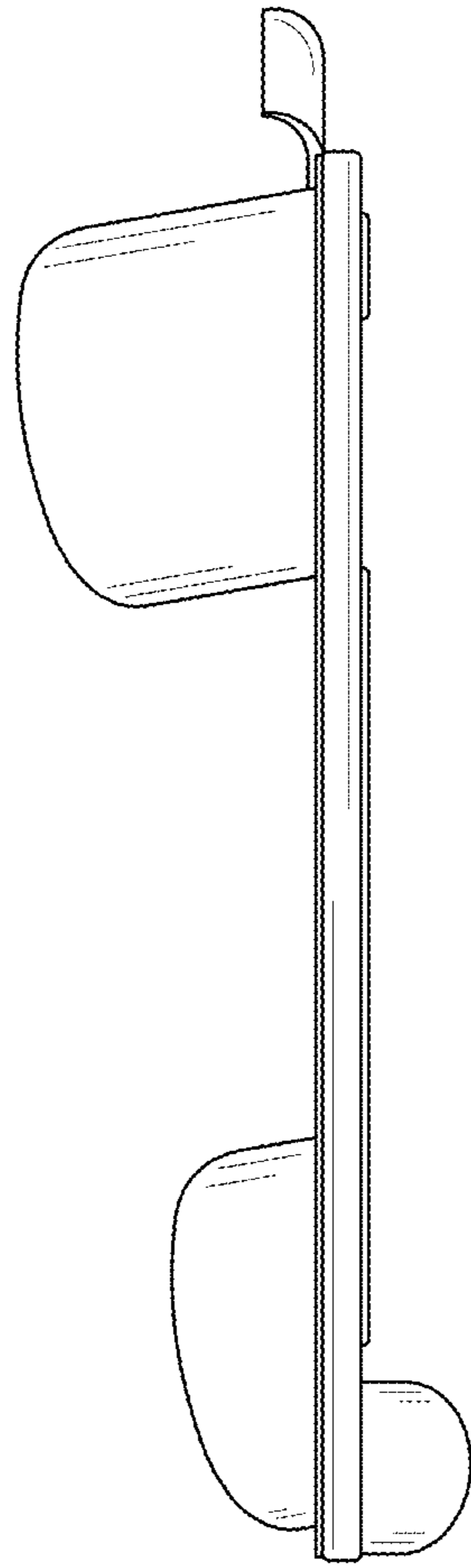


FIG. 4

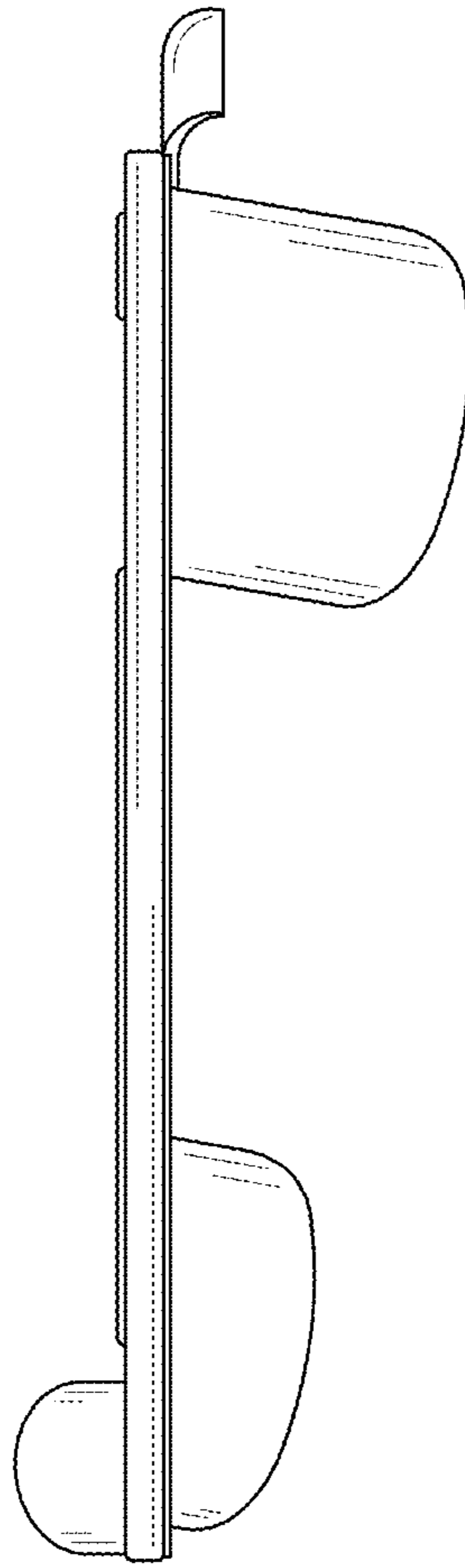


FIG. 5

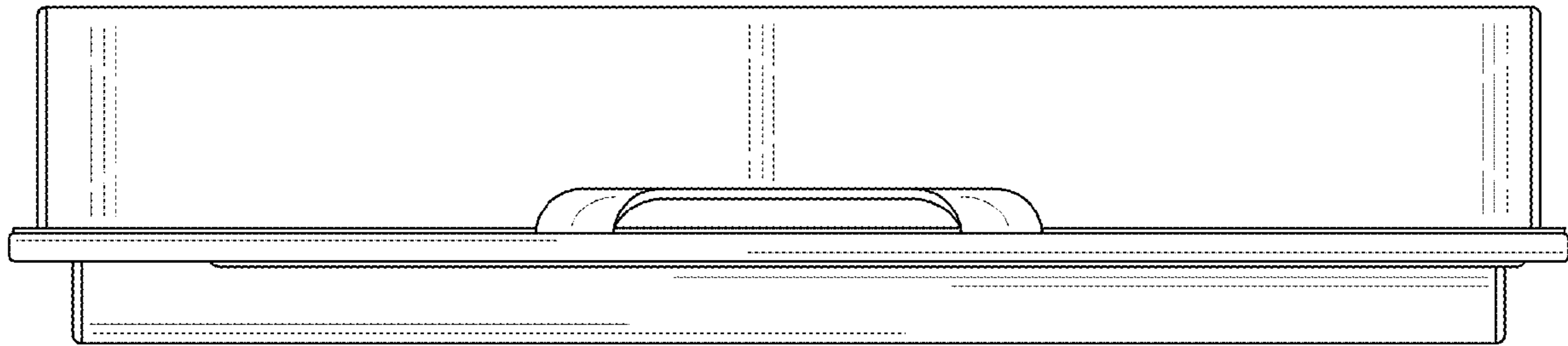


FIG. 6

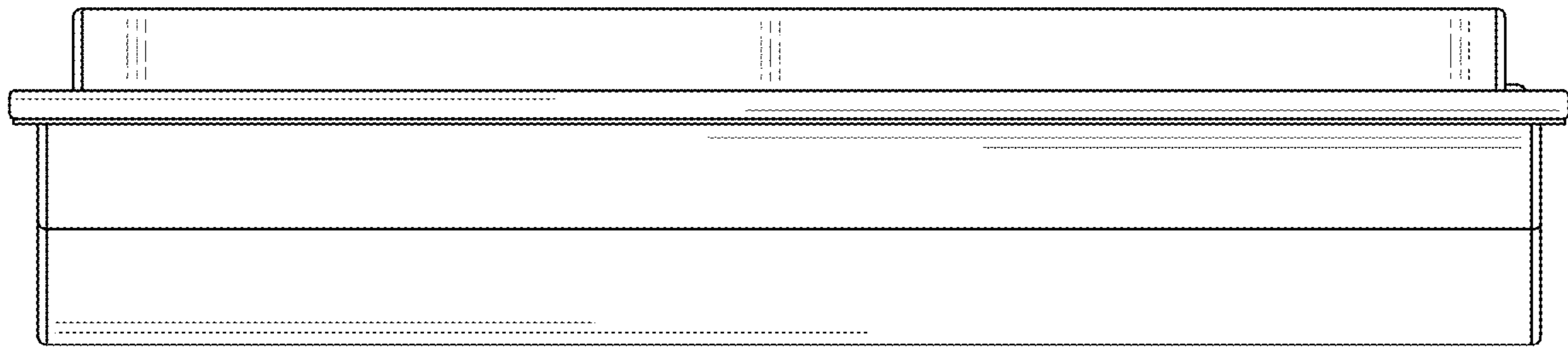


FIG. 7

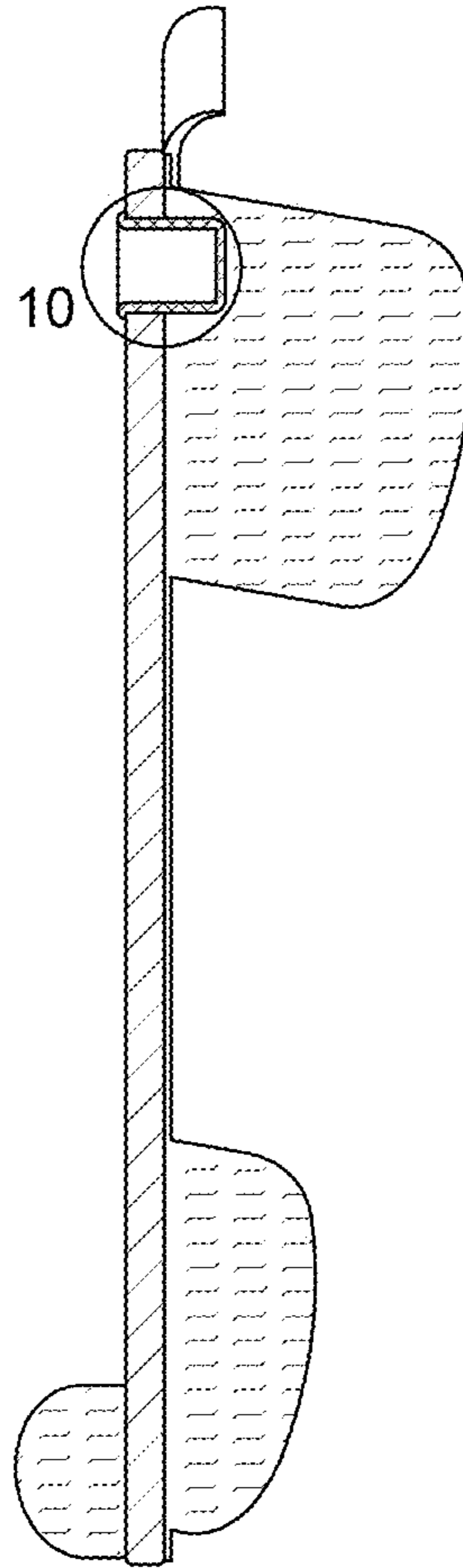


FIG. 8

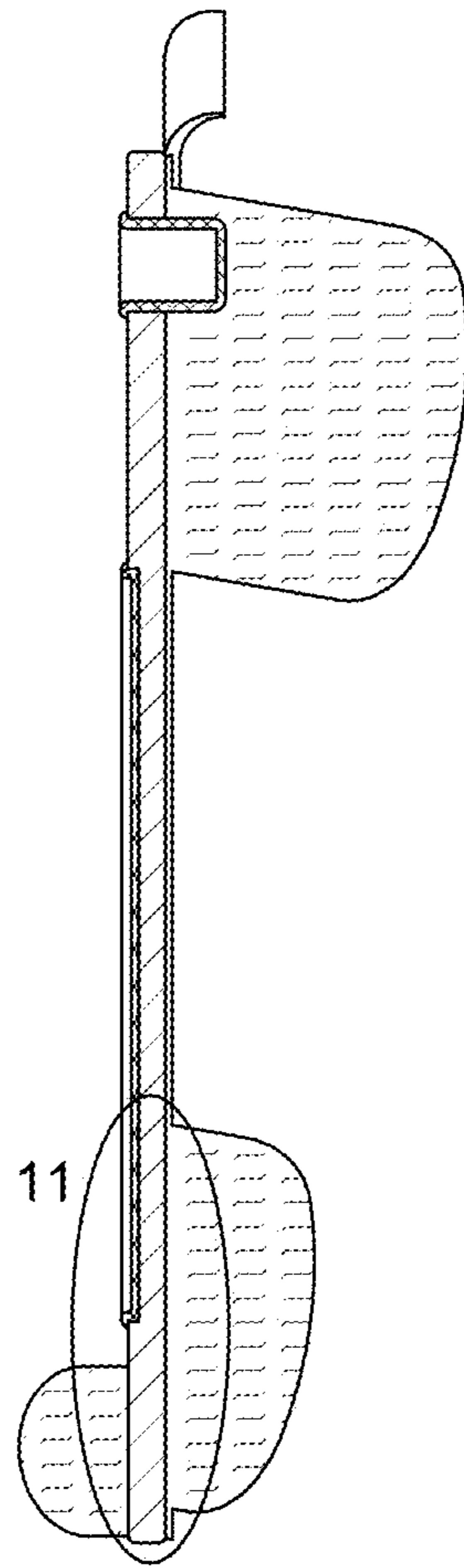


FIG. 9

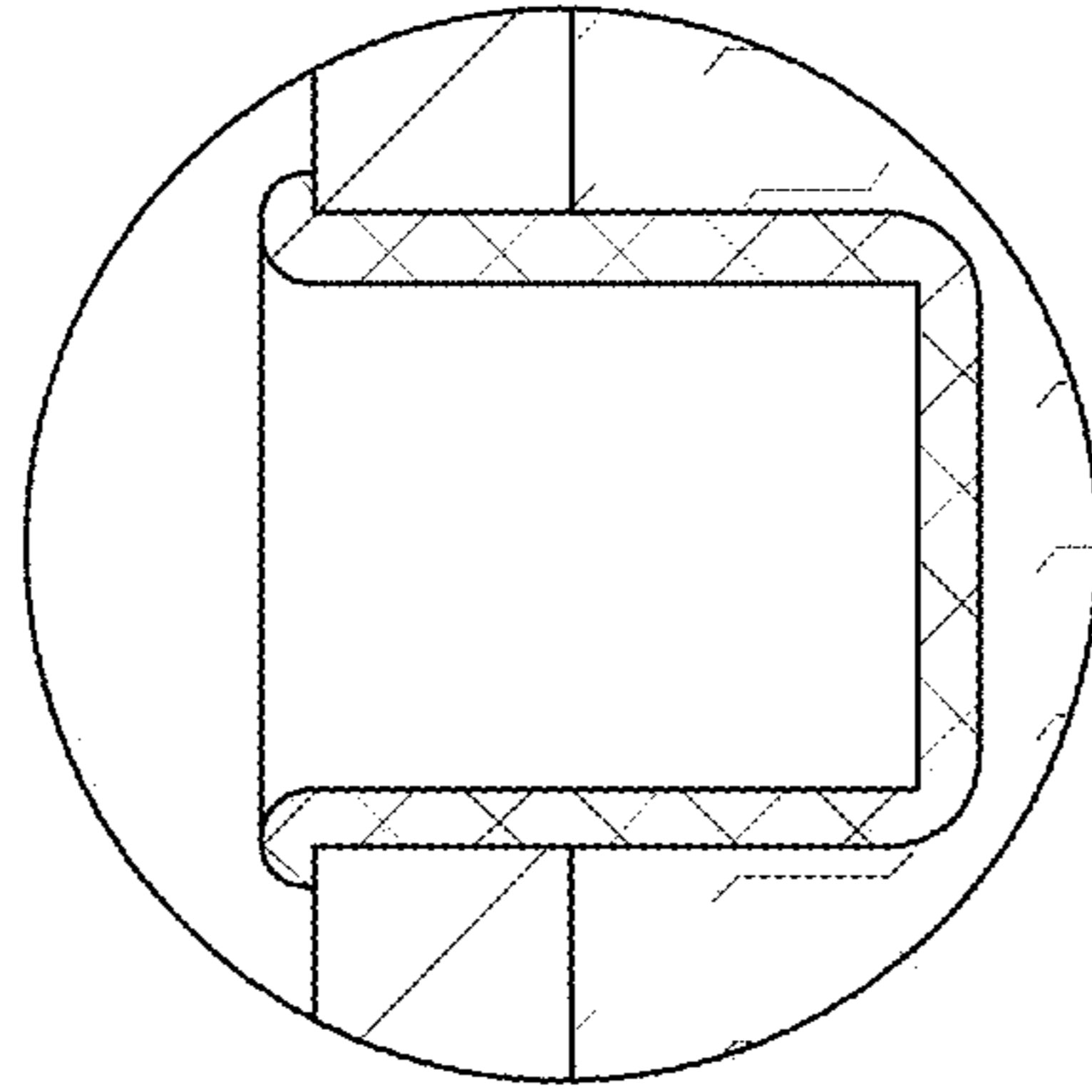


FIG. 10

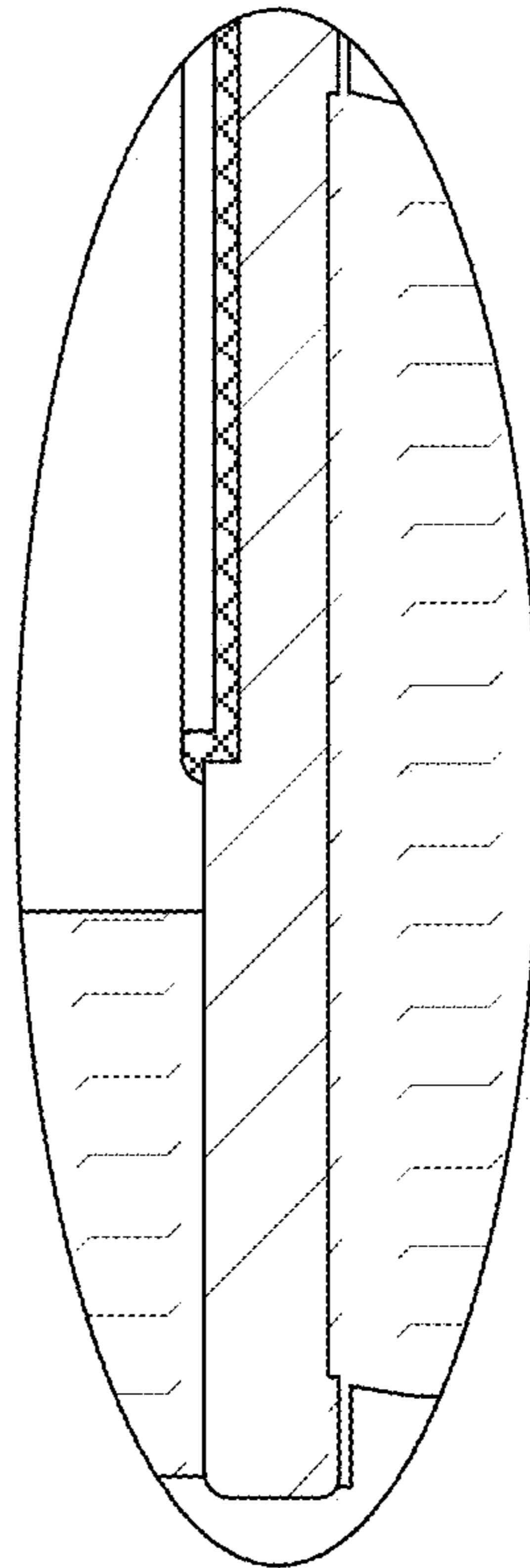


FIG. 11