



US00D887162S

(12) **United States Design Patent** (10) **Patent No.:** **US D887,162 S**  
**Velez** (45) **Date of Patent:** **\*\* Jun. 16, 2020**

(54) **CHAIR**  
(71) Applicant: **Holly Hunt Enterprises, Inc.**, Chicago, IL (US)  
(72) Inventor: **Alberto Velez**, Chicago, IL (US)  
(73) Assignee: **HOLLY HUNT ENTERPRISES, INC.**, Chicago, IL (US)  
(\*\*) Term: **15 Years**  
(21) Appl. No.: **29/650,655**  
(22) Filed: **Jun. 8, 2018**  
(51) **LOC (12) Cl.** ..... **06-01**  
(52) **U.S. Cl.**  
USPC ..... **D6/380; D6/374**  
(58) **Field of Classification Search**  
USPC ..... D6/334, 374, 377, 379, 380, 381  
CPC .... A47C 7/16; A47C 7/18; A47C 7/24; A47C 17/00; A47C 17/02; A47C 17/86  
See application file for complete search history.

D482,890 S \* 12/2003 Fernandes ..... D6/334  
D559,002 S \* 1/2008 Williams ..... D6/374  
D569,647 S \* 5/2008 Mezger ..... D6/374  
D706,053 S \* 6/2014 Schwamkrug ..... D6/374  
D836,934 S \* 1/2019 Gufler ..... D6/380

\* cited by examiner

*Primary Examiner* — Cathron C Brooks  
(74) *Attorney, Agent, or Firm* — The Belles Group, P.C.

(57) **CLAIM**

I claim the ornamental design for a chair, as shown and described.

**DESCRIPTION**

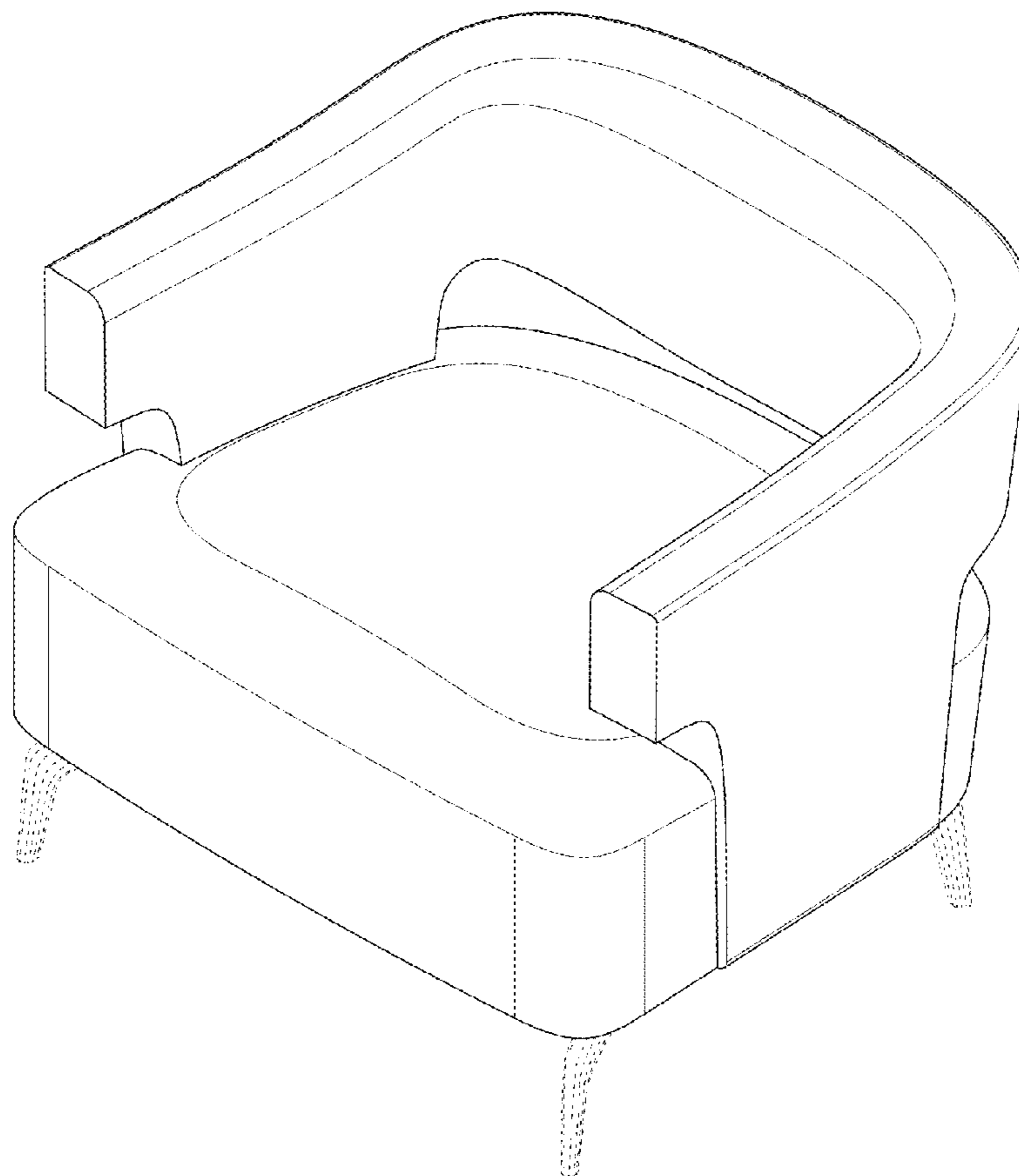
FIG. 1 is a front perspective view of a chair showing my new design according to the present invention.  
FIG. 2 is a rear perspective view of the chair of FIG. 1.  
FIG. 3 is a front elevation view of the chair of FIG. 1.  
FIG. 4 is a rear elevation view of the chair of FIG. 1.  
FIG. 5 is a left-side view of the chair of FIG. 1.  
FIG. 6 is a right-side view of the chair of FIG. 1.  
FIG. 7 is a top plan view of the chair of FIG. 1; and,  
FIG. 8 is a bottom plan view of the chair of FIG. 1.  
The broken lines illustrate portions of the chair that form no part of the claimed design.

(56) **References Cited**

**U.S. PATENT DOCUMENTS**

3,471,199 A \* 10/1969 Kuhlmann ..... A47C 4/028  
297/411.41  
D446,039 S \* 8/2001 Gomez ..... D6/381

**1 Claim, 5 Drawing Sheets**



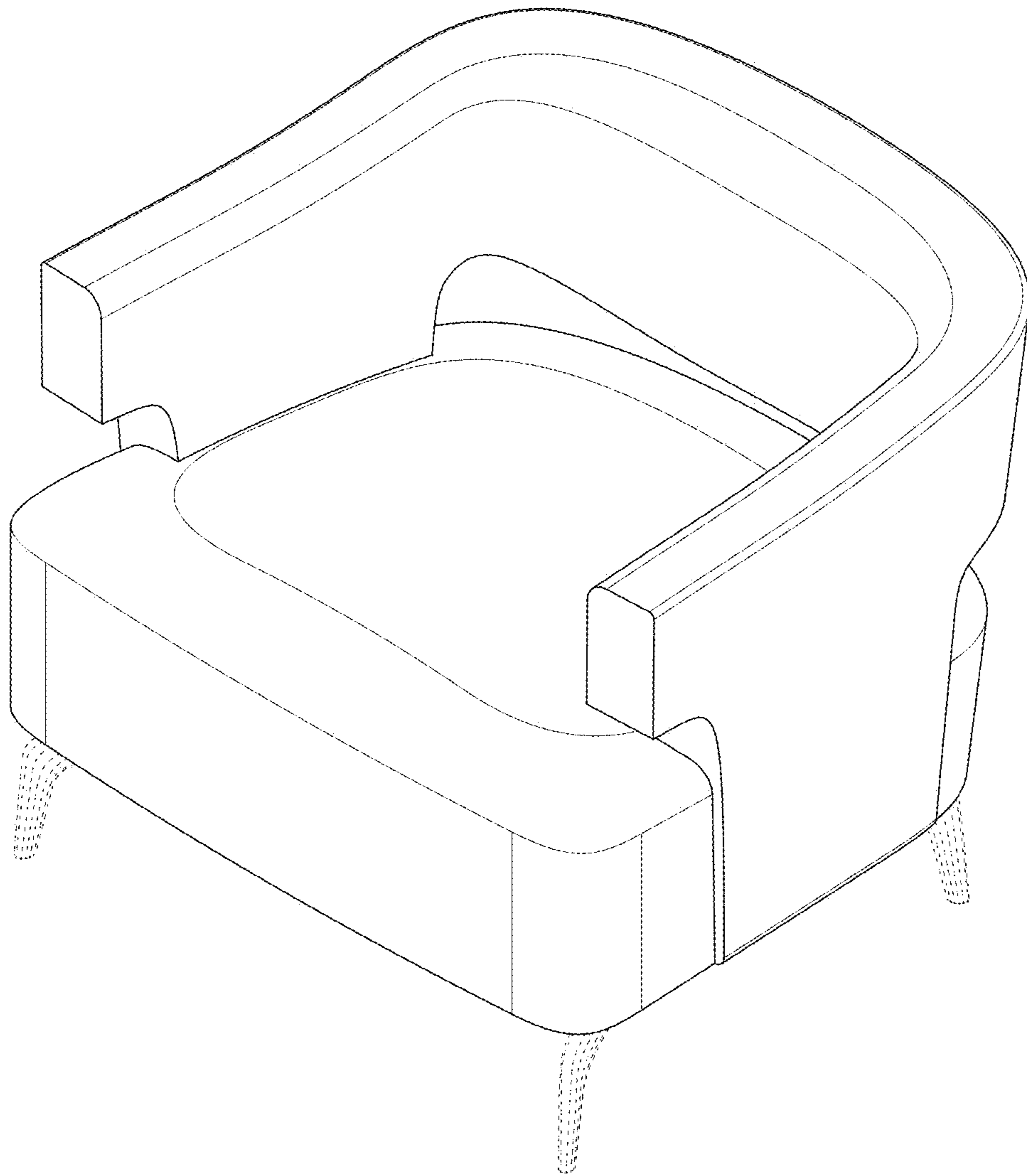


FIG. 1

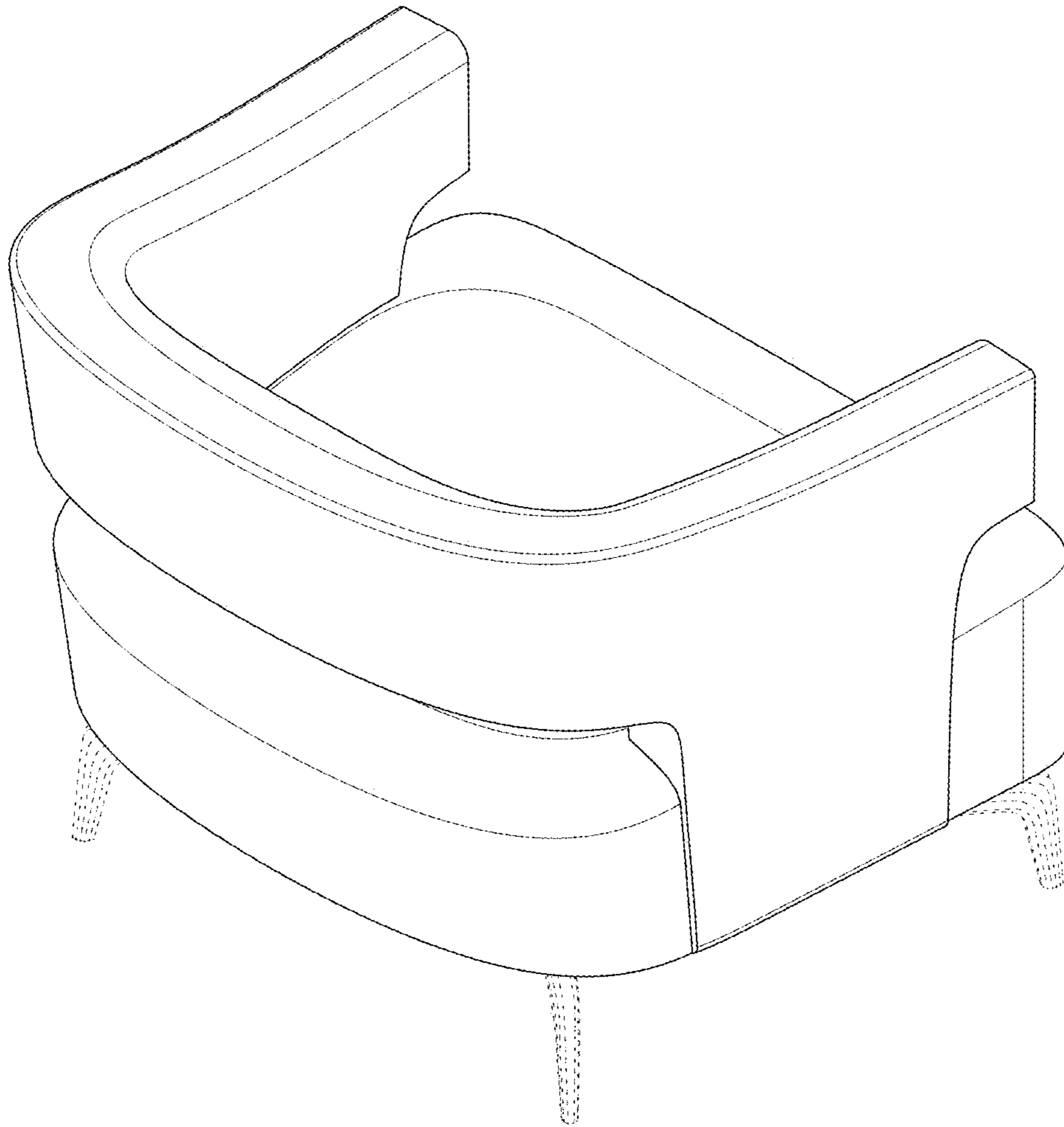


FIG. 2

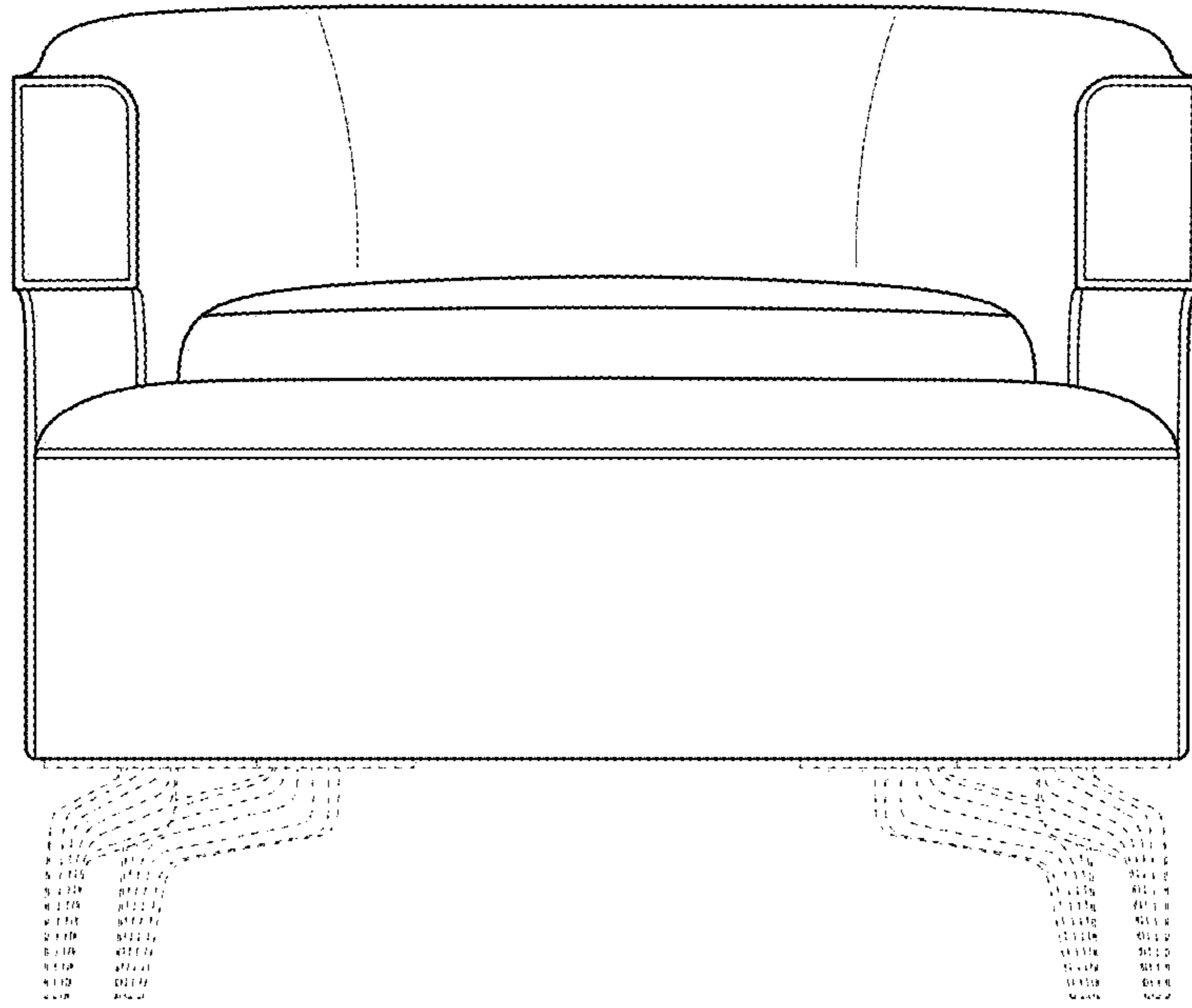


FIG. 3

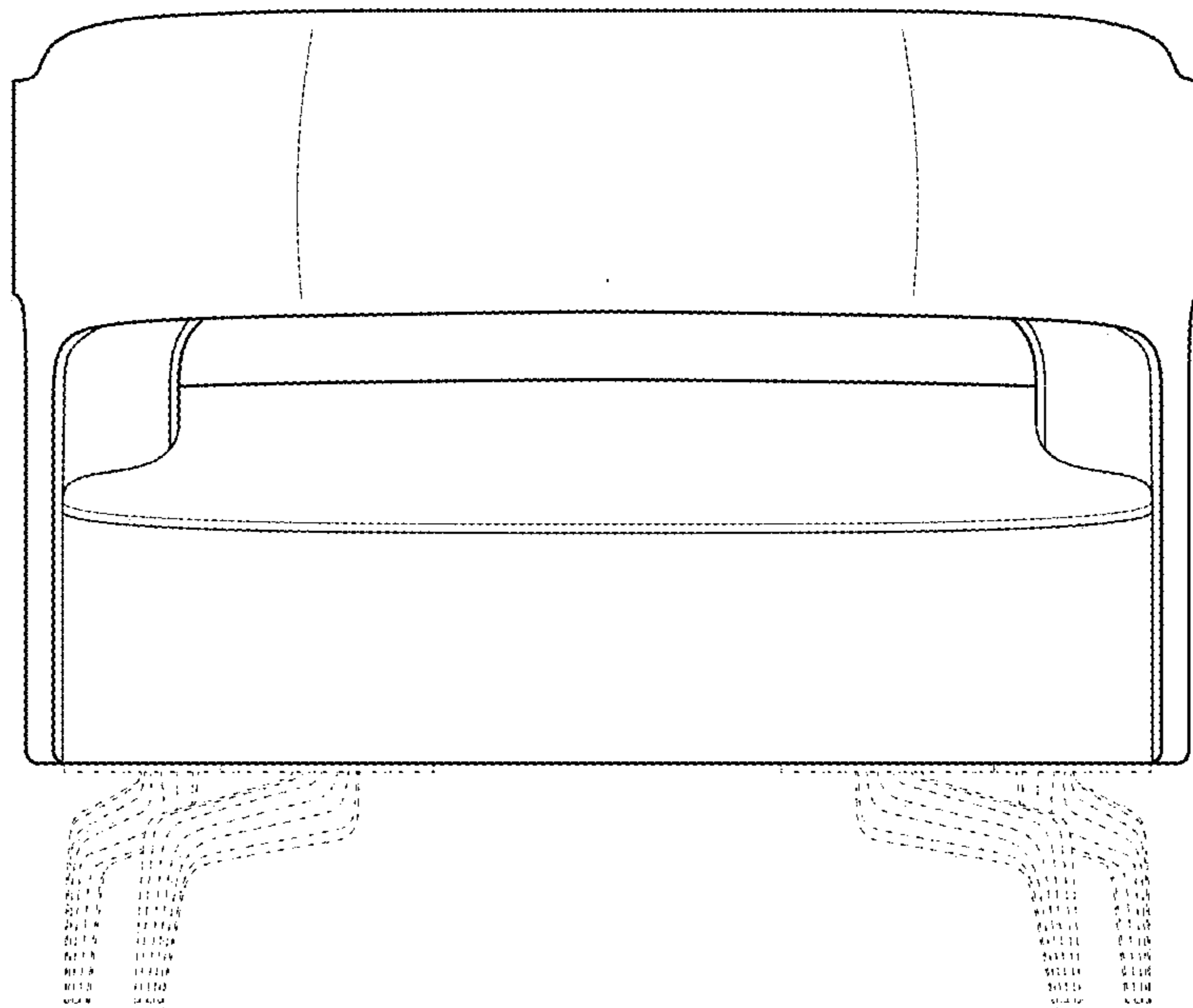


FIG. 4

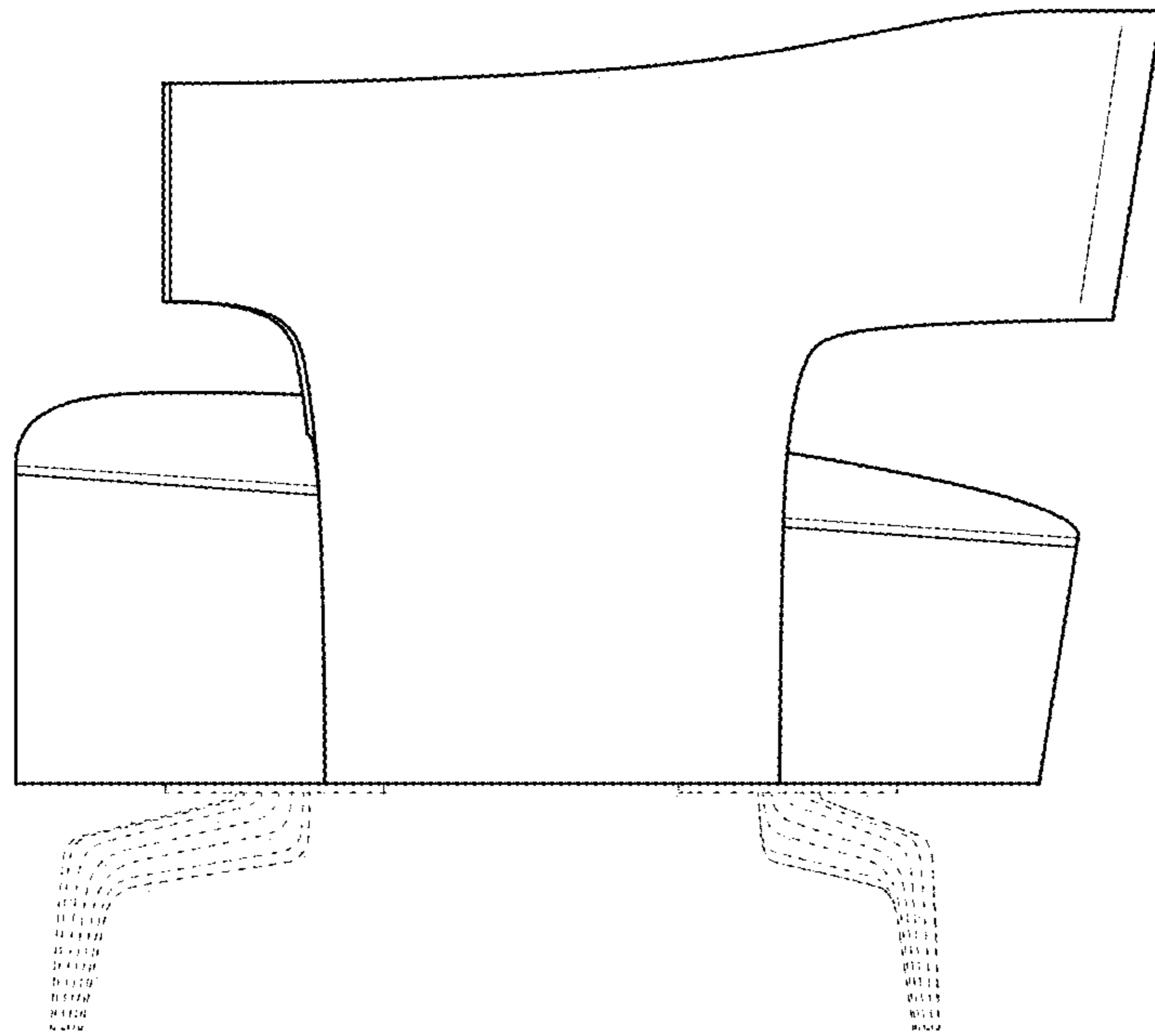


FIG. 5

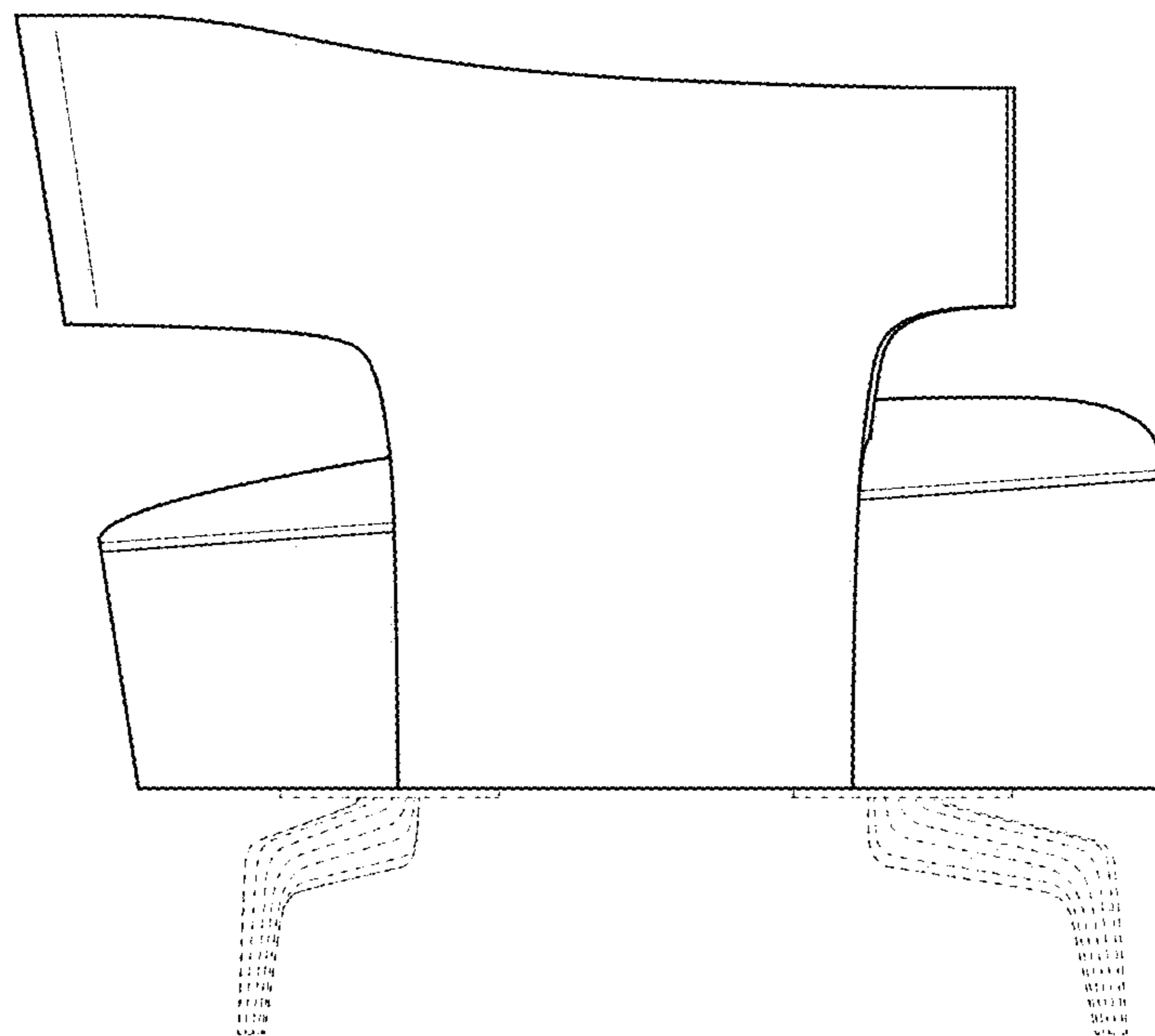


FIG. 6

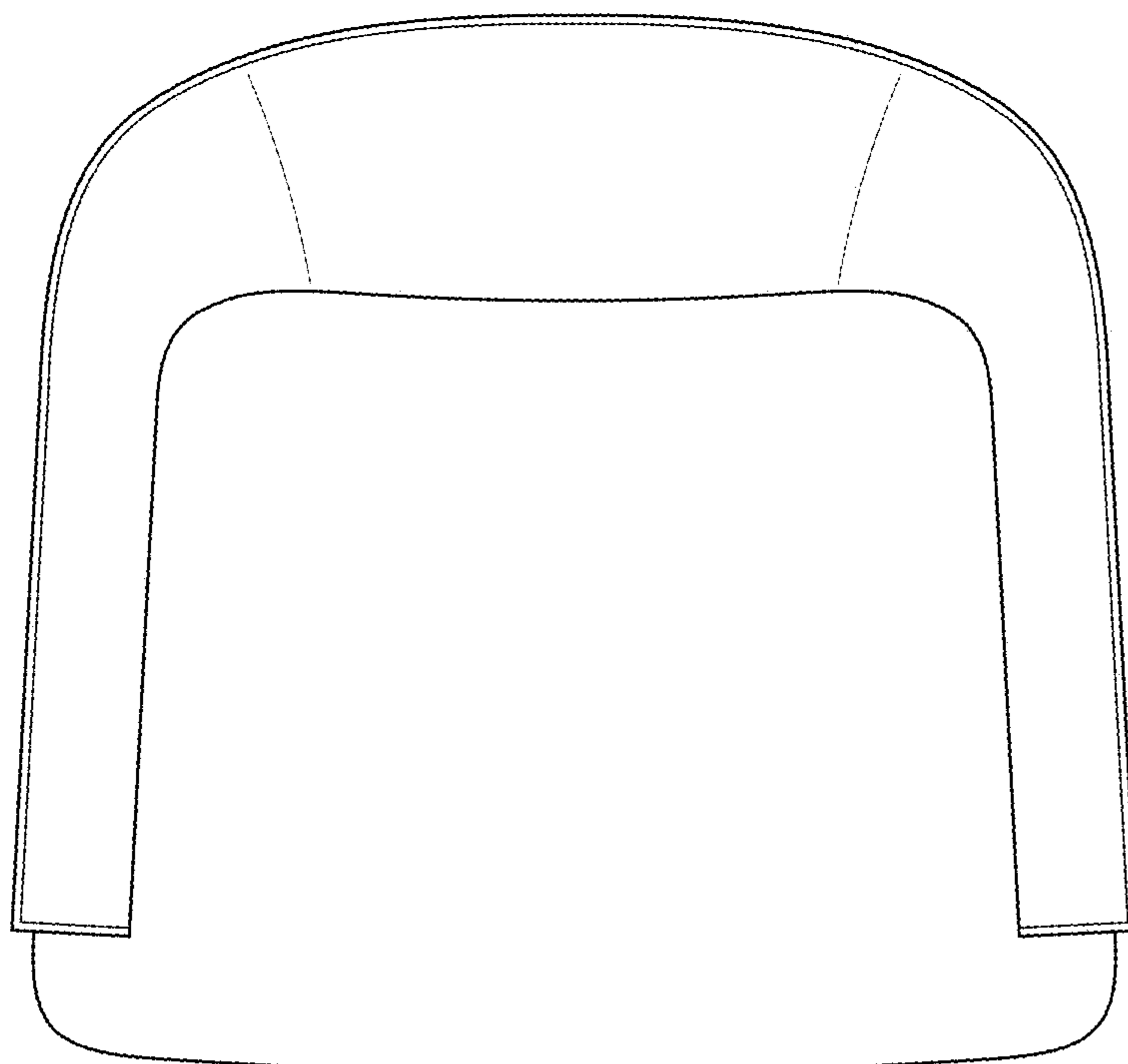


FIG. 7

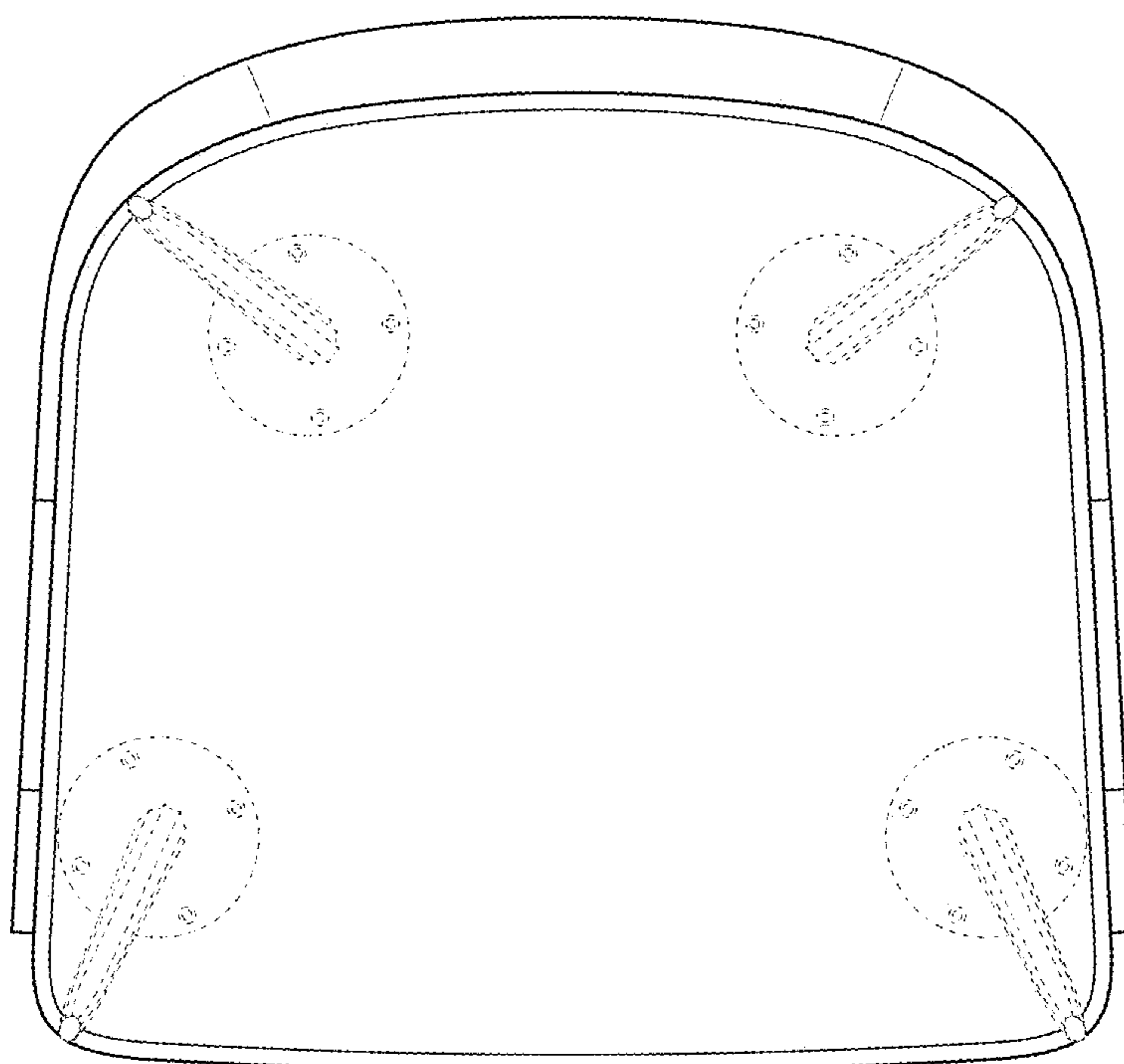


FIG. 8