



US00D887160S

(12) **United States Design Patent** (10) **Patent No.:** **US D887,160 S**
Killinger (45) **Date of Patent:** **** *Jun. 16, 2020**

(54) **SOFA**

A47B 83/02; A47B 83/023; A47B 83/04;
A47B 39/08

See application file for complete search history.

(71) Applicant: **Williams-Sonoma, Inc.**, San Francisco,
CA (US)

(56) **References Cited**

U.S. PATENT DOCUMENTS

(72) Inventor: **James Ian Killinger**, Brooklyn, NY
(US)

D337,450	S	*	7/1993	Dettinger	D6/334
D383,010	S	*	9/1997	Mourgue	D6/381
D386,909	S	*	12/1997	Mourgue	D6/334
D426,398	S	*	6/2000	Lewis	D6/381
D439,432	S	*	3/2001	Hutton	D6/381
D643,643	S	*	8/2011	Lievore	D6/381
D676,683	S	*	2/2013	Martin	D6/381
D679,518	S	*	4/2013	Lievore	D6/381
D709,712	S	*	7/2014	Jehs	D6/381
D806,429	S	*	1/2018	Numen/ForUse	D6/375
D854,851	S	*	7/2019	Smrstick	D6/381

(73) Assignee: **Williams-Sonoma, Inc.**, San Francisco,
CA (US)

(*) Notice: This patent is subject to a terminal disclaimer.

* cited by examiner

(**) Term: **15 Years**

Primary Examiner — Cathron C Brooks

(21) Appl. No.: **29/663,545**

(74) *Attorney, Agent, or Firm* — Cook Alex Ltd.; R. Blake Johnston

(22) Filed: **Sep. 17, 2018**

(57) **CLAIM**

The ornamental design for a sofa, as shown and described.

(51) **LOC (12) Cl.** **06-01**

DESCRIPTION

(52) **U.S. Cl.**

USPC **D6/374**; D6/381

FIG. 1 is a perspective view of the sofa;
FIG. 2 is a front elevational view of the sofa;
FIG. 3 is a rear elevational view of the sofa;
FIG. 4 is a left side elevational view of the sofa, the opposite side of which is a mirror image;
FIG. 5 is a top plan view of the sofa; and,
FIG. 6 is a bottom plan view of the sofa.

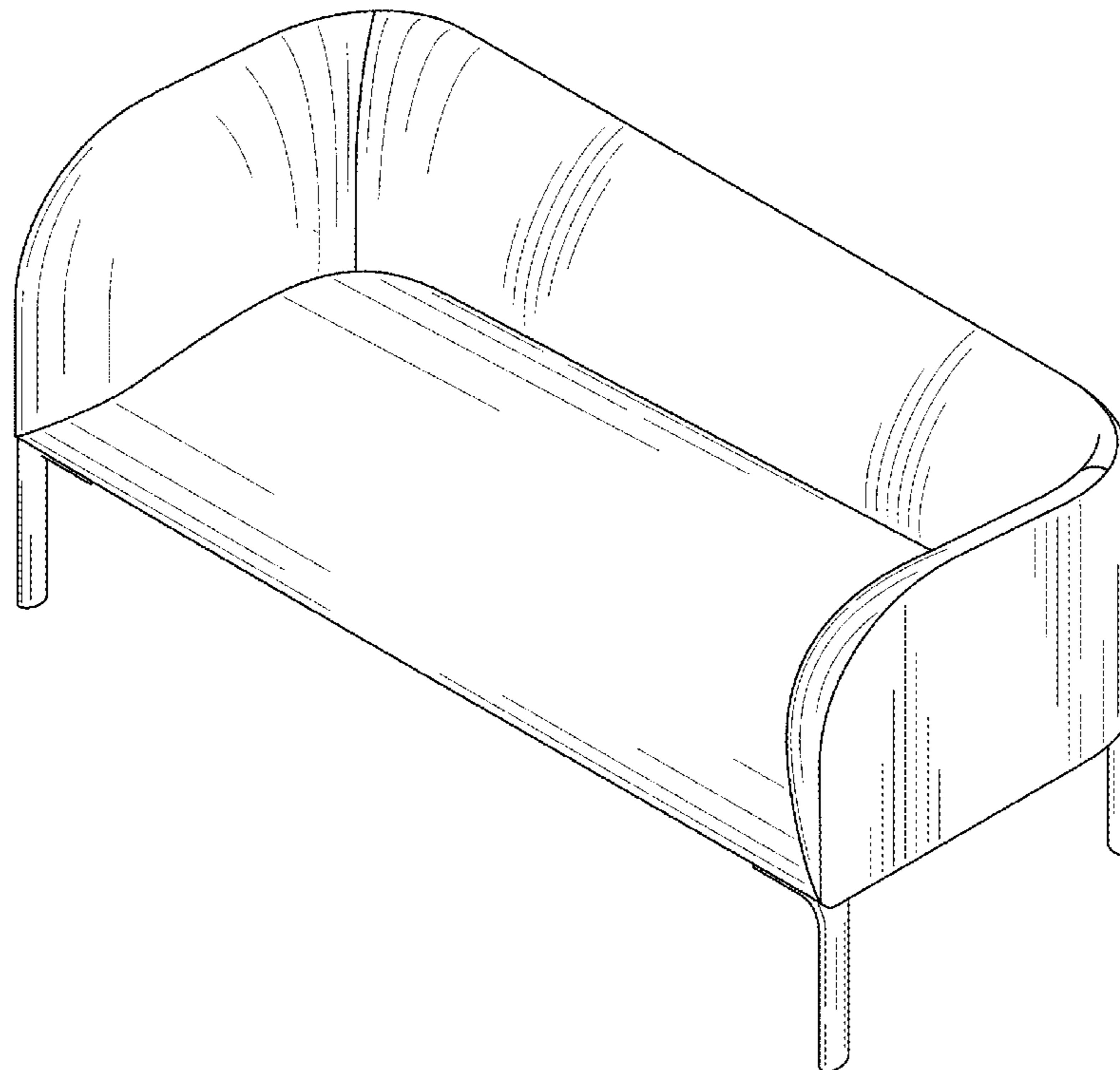
(58) **Field of Classification Search**

USPC D6/334, 374, 375, 381, 335, 336

CPC A47C 17/00; A47C 17/02; A47C 17/86;

A47C 13/005; A47C 7/38; A47B 83/00;

1 Claim, 6 Drawing Sheets



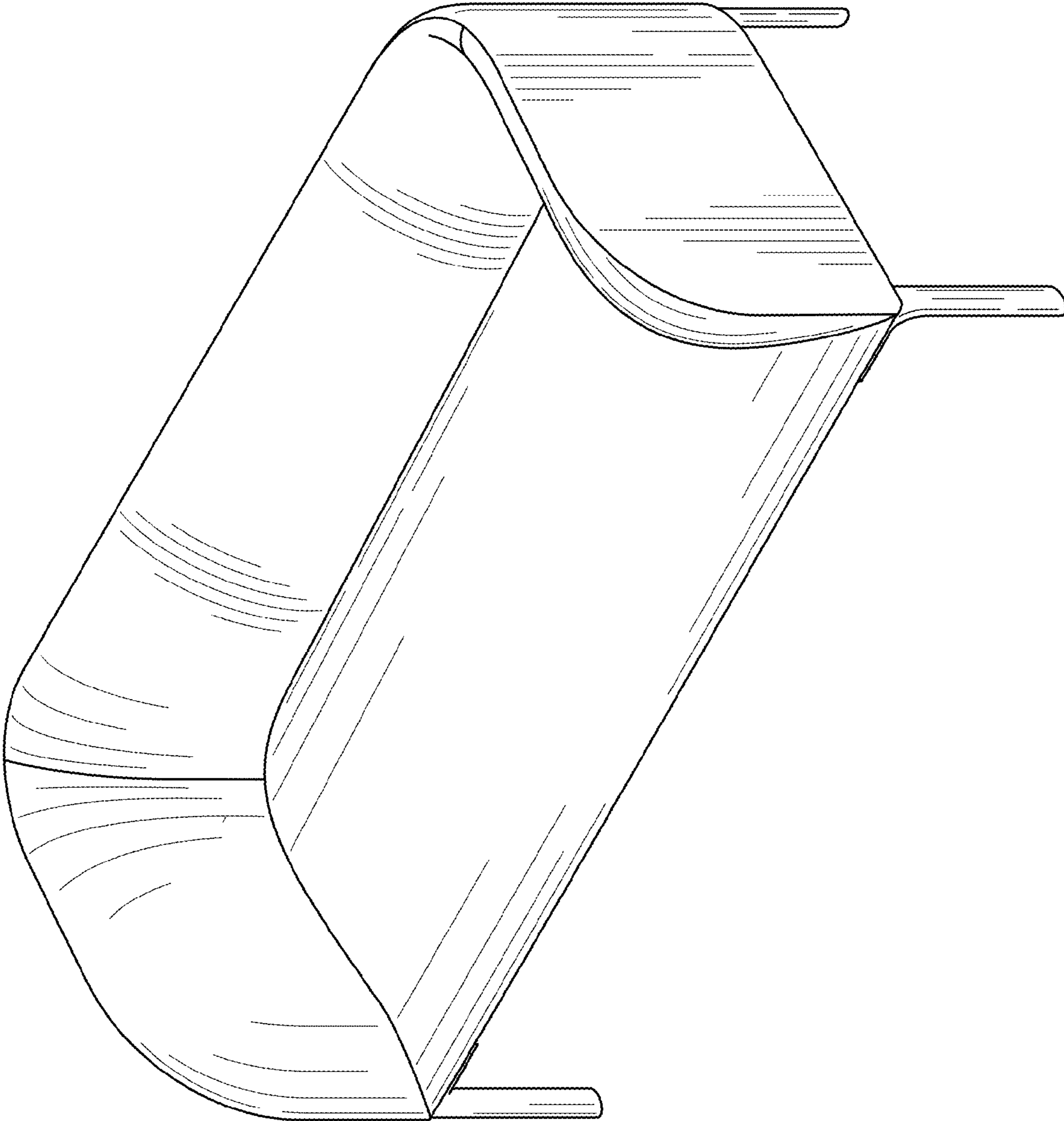


FIG. 1

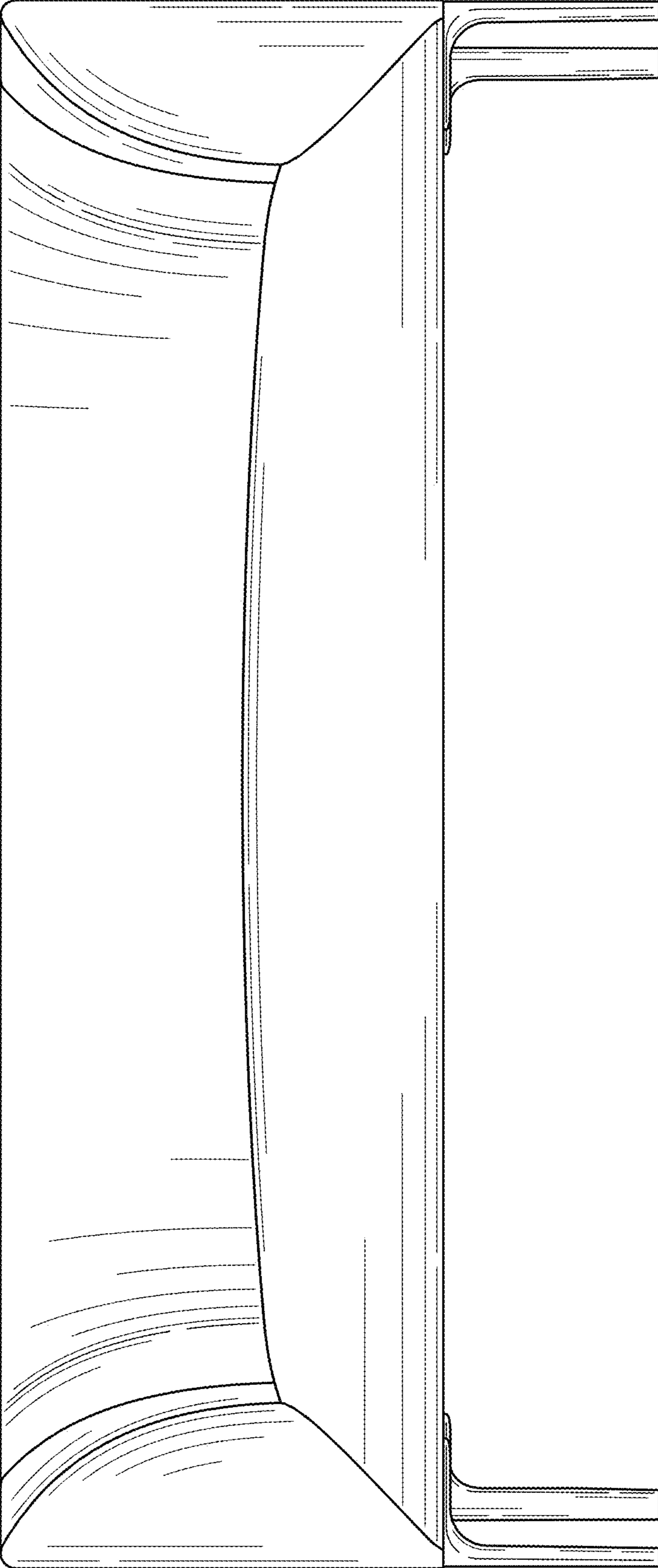


FIG. 2

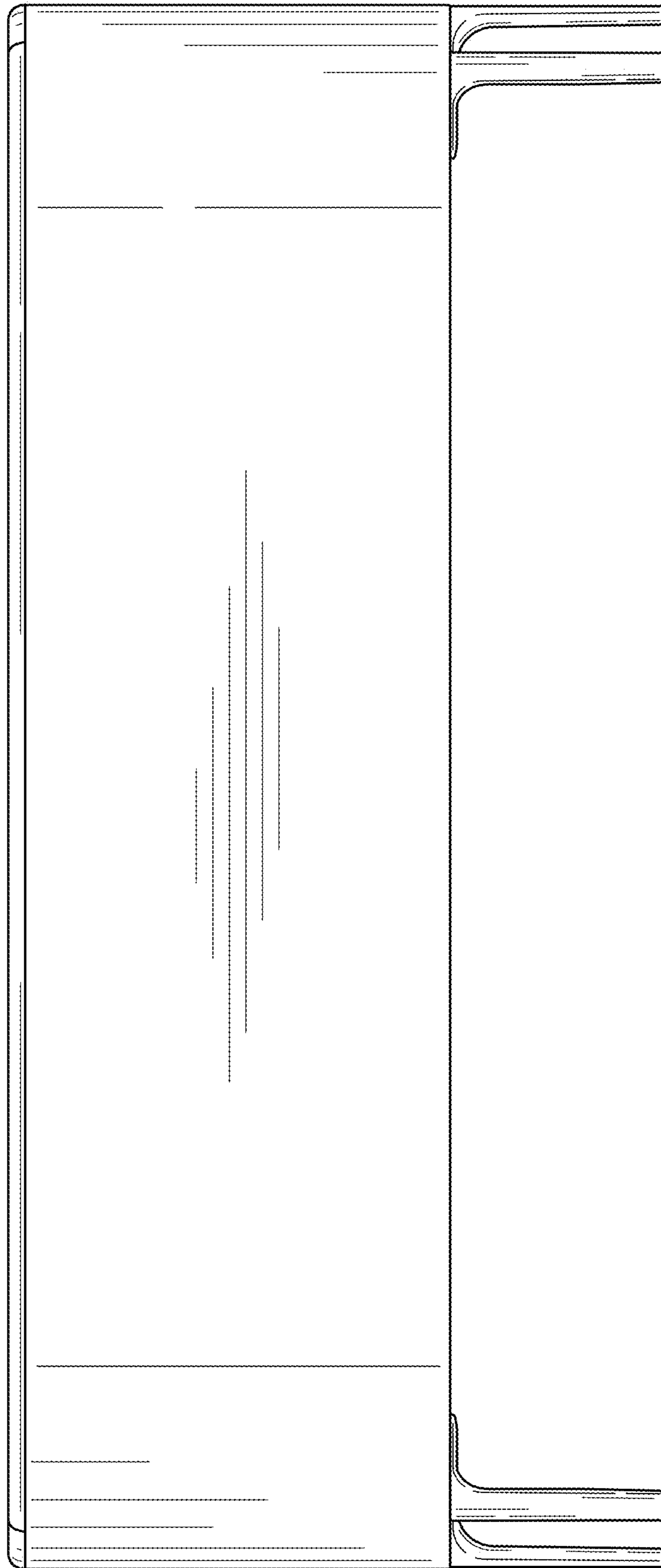


FIG. 3

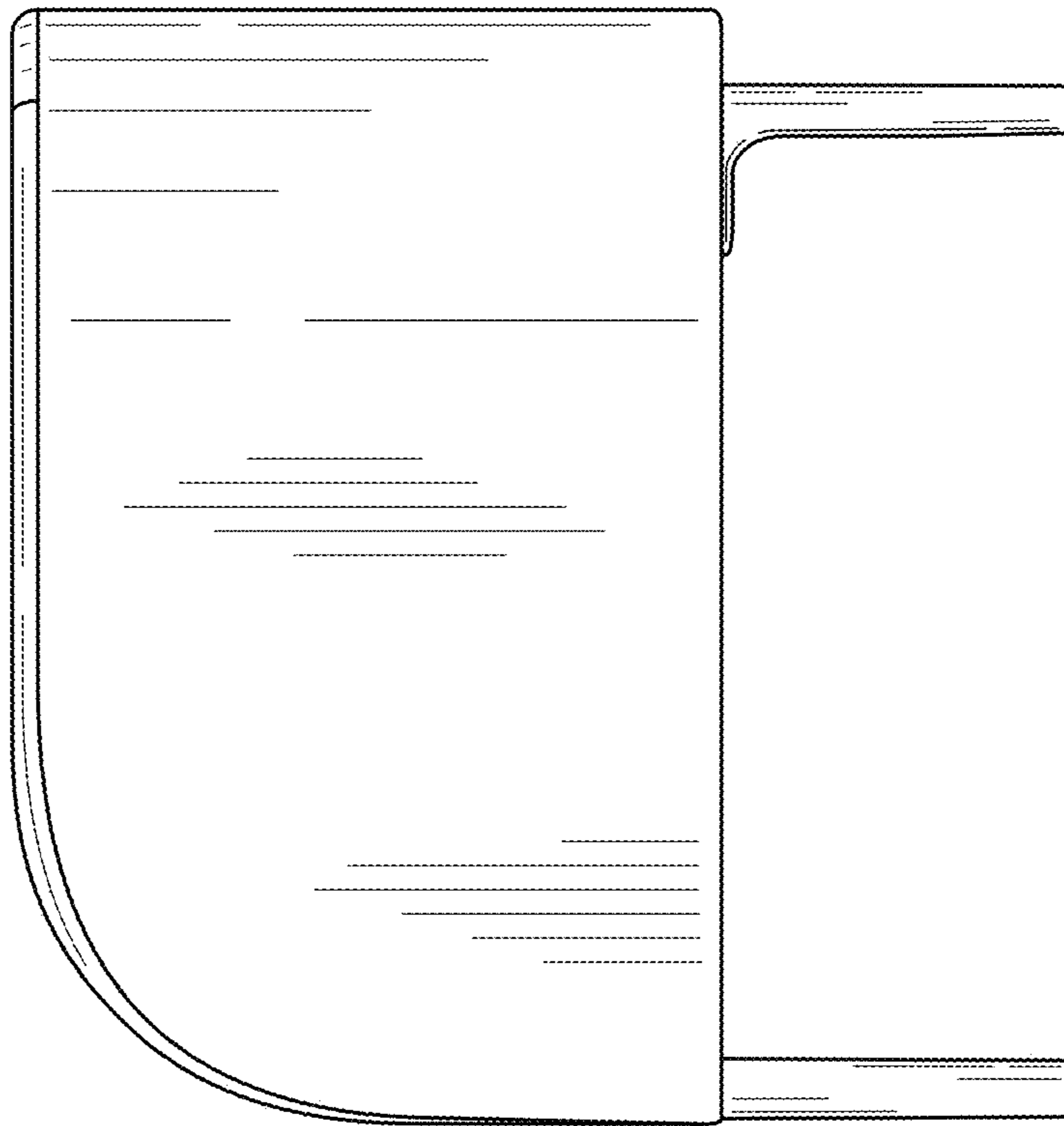


FIG. 4



FIG. 5

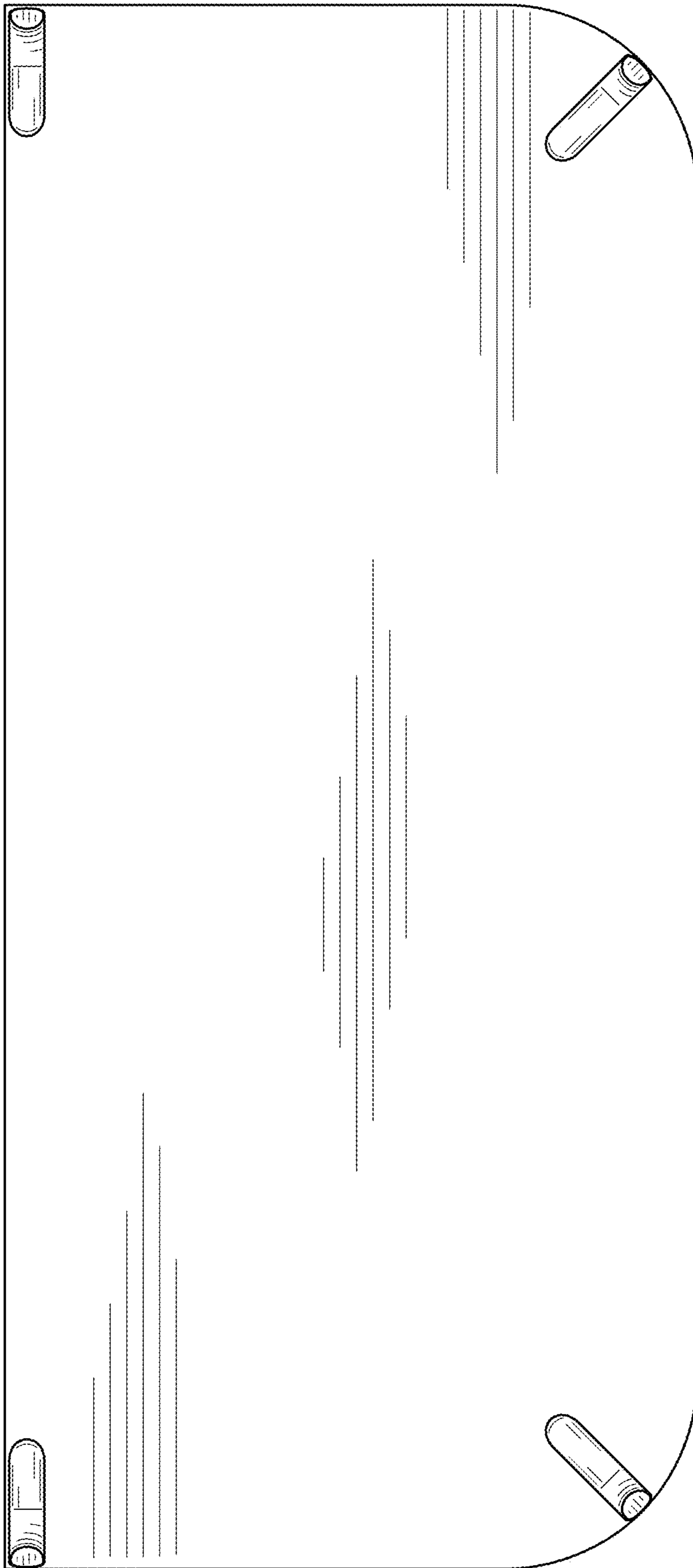


FIG. 6