



US00D887158S

(12) **United States Design Patent**
Schmitz et al.

(10) **Patent No.:** **US D887,158 S**
(45) **Date of Patent:** **** Jun. 16, 2020**

- (54) **CHAIR**
- (71) Applicant: **HERMAN MILLER, INC.**, Zeeland, MI (US)
- (72) Inventors: **Johann Burkhard Schmitz**, Berlin (DE); **Carola Zwick**, Berlin (DE); **Roland Zwick**, Berlin (DE)
- (73) Assignee: **HERMAN MILLER, INC.**, Zeeland, MI (US)
- (**) Term: **15 Years**
- (21) Appl. No.: **29/718,130**
- (22) Filed: **Dec. 20, 2019**

- D613,085 S 4/2010 Fujita
- D628,831 S * 12/2010 Schmitz D6/716
- D645,683 S 9/2011 Chen
- D651,426 S * 1/2012 Chiaramonte D6/375
- D654,709 S 2/2012 Fujita
- D673,400 S 1/2013 Chen
- D675,463 S * 2/2013 Collinson D6/366
- D687,239 S * 8/2013 Piretti D6/376
- D698,192 S 1/2014 Giugiaro
- D706,566 S 6/2014 Giugiaro
- D707,460 S 6/2014 Giugiaro
- D707,995 S * 7/2014 McEneaney D6/716
- D709,721 S 7/2014 Giugiaro
- D771,964 S * 11/2016 Chen D6/374
- D777,494 S 1/2017 Prestwich
- D782,238 S 3/2017 Jun
- D824,711 S * 8/2018 Brooks D6/716
- D844,358 S 4/2019 Chadwick et al.
- D845,692 S 4/2019 Chadwick et al.
- D848,169 S 5/2019 Wu

(Continued)

Related U.S. Application Data

- (62) Division of application No. 29/702,936, filed on Aug. 22, 2019, now Pat. No. Des. 874,202, which is a division of application No. 29/622,867, filed on Oct. 20, 2017, now Pat. No. Des. 874,860.

- (51) **LOC (12) Cl.** **06-01**
- (52) **U.S. Cl.**
USPC **D6/366**

- (58) **Field of Classification Search**
USPC D6/334-336, 364, 365, 366, 367, 374, D6/375, 376, 379, 380, 716, 716.1, 716.2, D6/716.3, 716.4
CPC A47C 7/002; A47C 7/004; A47C 7/02; A47C 7/282; A47C 7/285; A47C 7/40; A47C 7/44; A47C 7/46
See application file for complete search history.

(56) **References Cited**

U.S. PATENT DOCUMENTS

- D541,063 S 4/2007 Su
- D558,994 S 1/2008 Machael et al.

Primary Examiner — Mimosa De

(74) *Attorney, Agent, or Firm* — Michael Best & Friedrich LLP

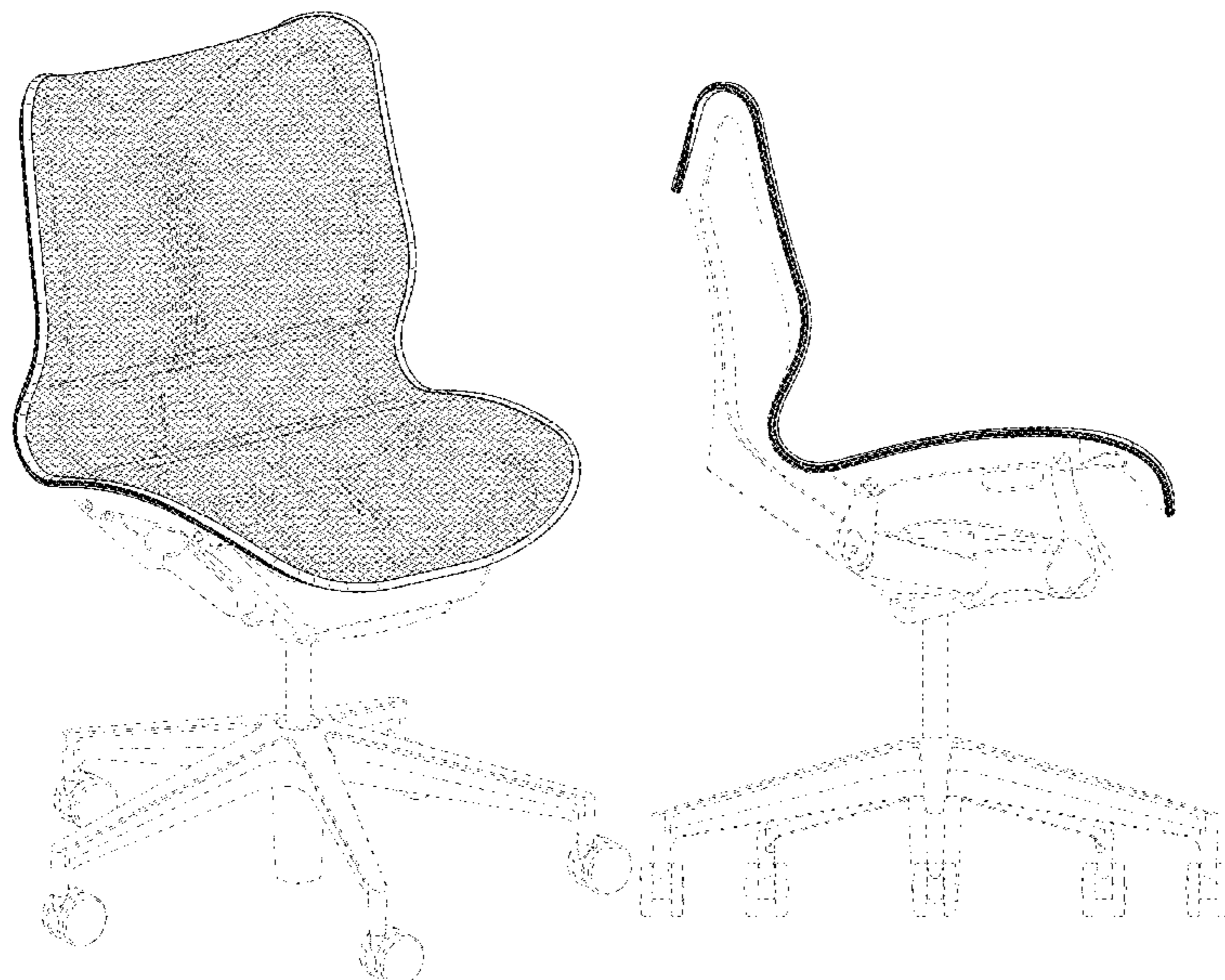
(57) **CLAIM**

We claim the ornamental design for a chair, as shown and described.

DESCRIPTION

FIG. 1 is a perspective view of a chair according to an embodiment of the invention.
 FIG. 2 is a first side view of the chair of FIG. 1.
 FIG. 3 is a second side view of the chair of FIG. 1.
 FIG. 4 is a front view of the chair of FIG. 1.
 FIG. 5 is a rear view of the chair of FIG. 1.
 FIG. 6 is a top view of the chair of FIG. 1; and,
 FIG. 7 is a bottom view of the chair of FIG. 1.
 Portions of the chair shown in broken lines are for illustrative purposes only and form no part of the claimed design.

1 Claim, 7 Drawing Sheets



(56)

References Cited

U.S. PATENT DOCUMENTS

D874,202 S * 2/2020 Schmitz D6/716
D874,860 S 2/2020 Schmitz et al.

* cited by examiner

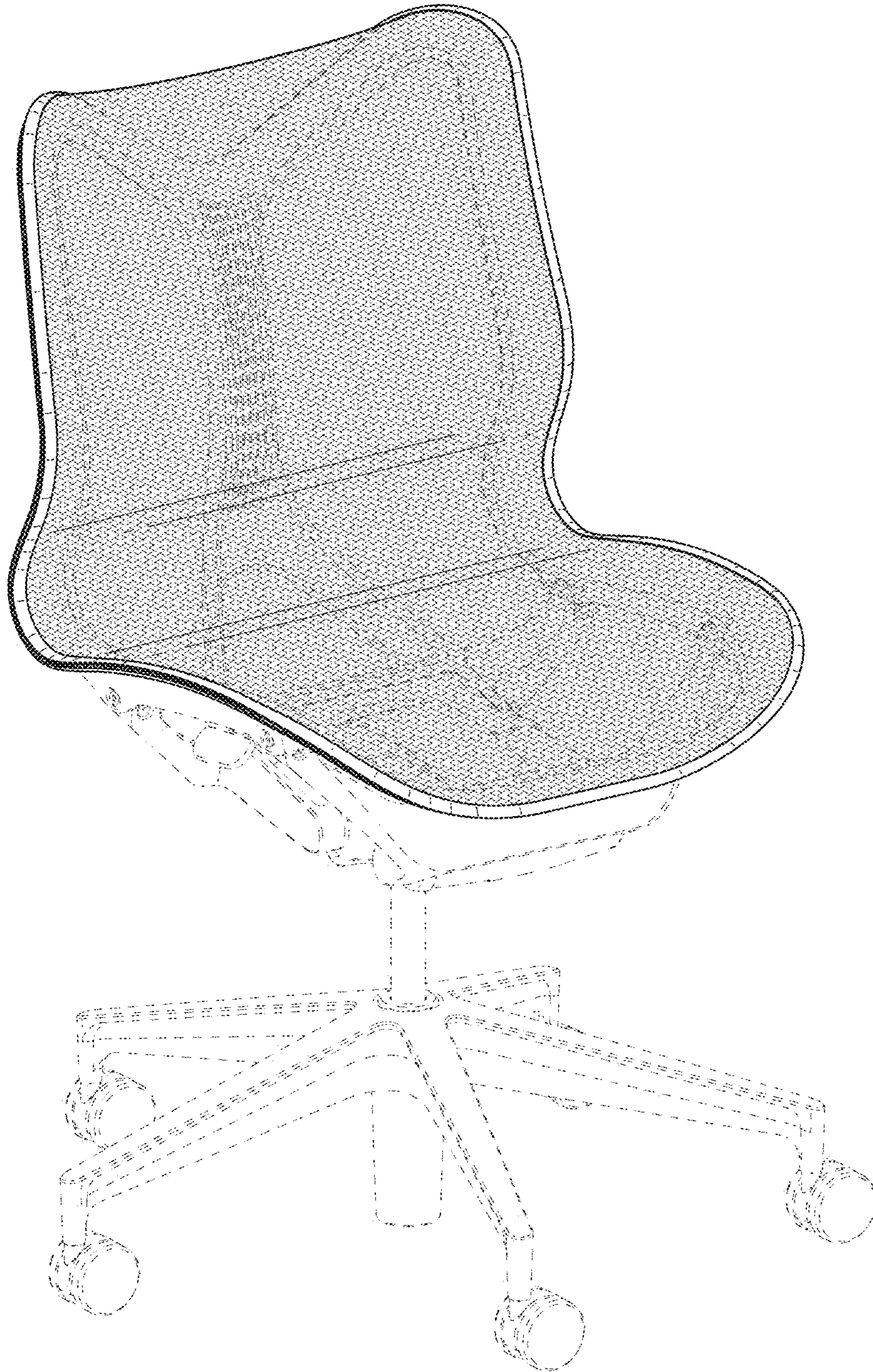


FIG. 1

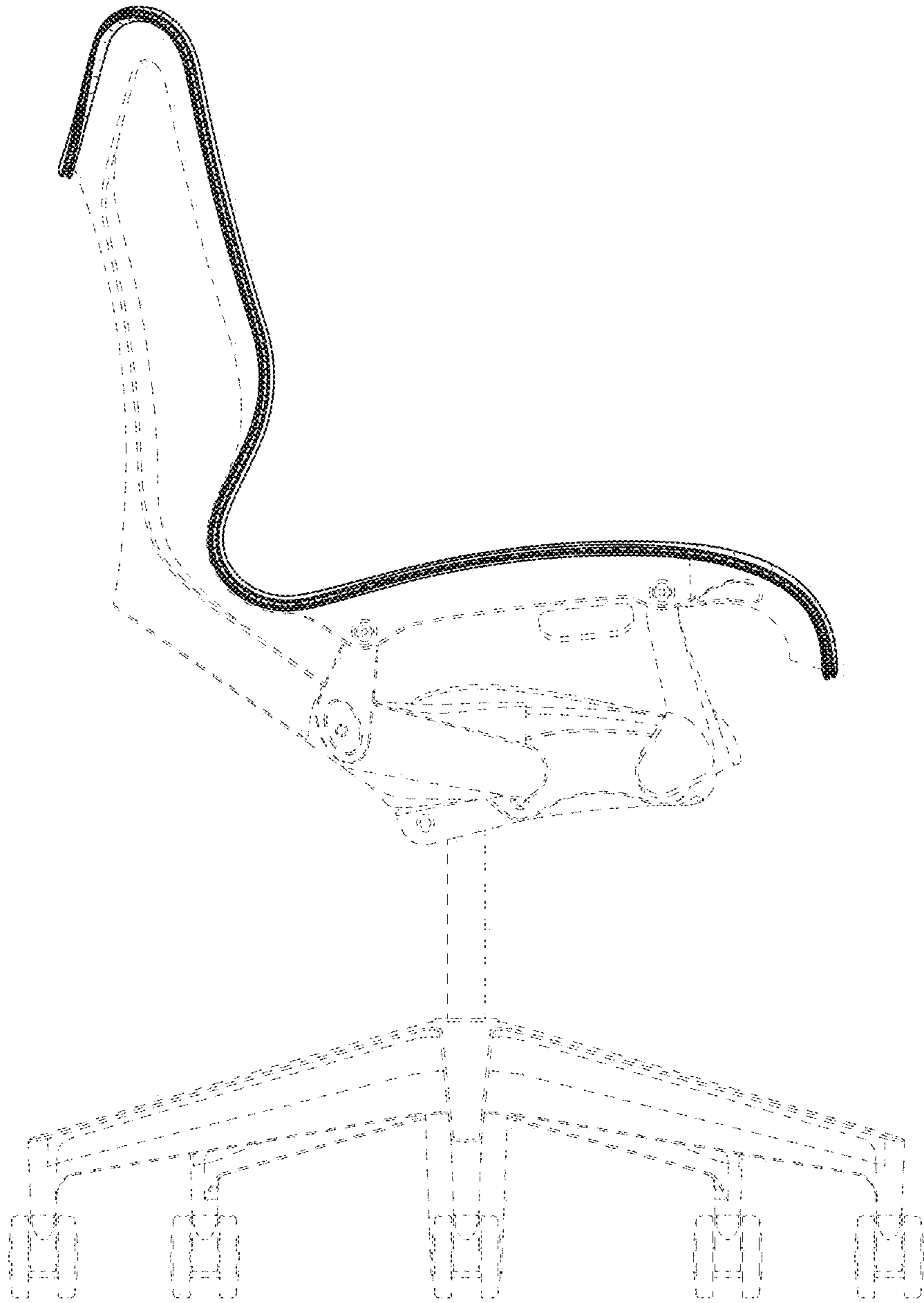


FIG. 2

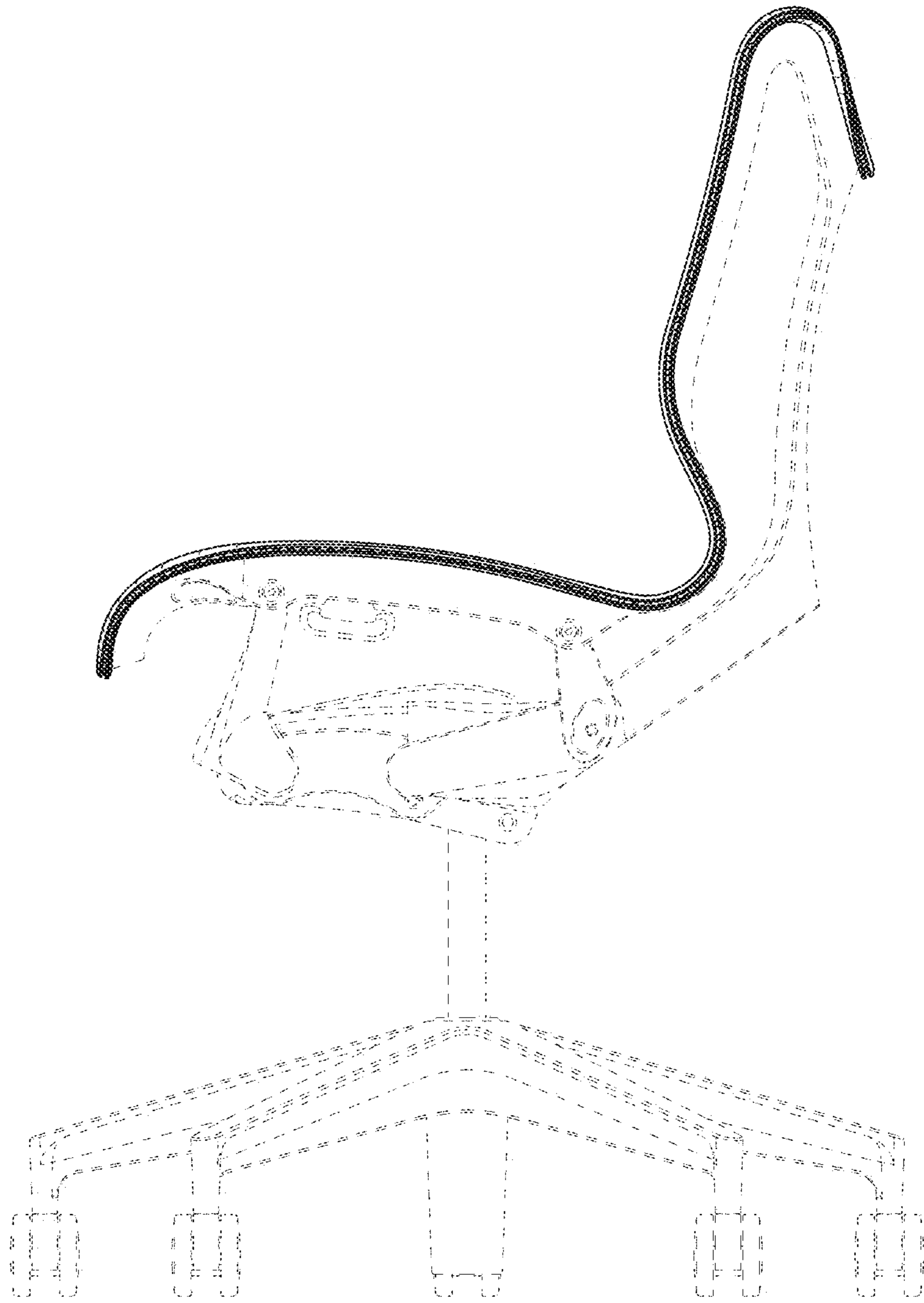


FIG. 3

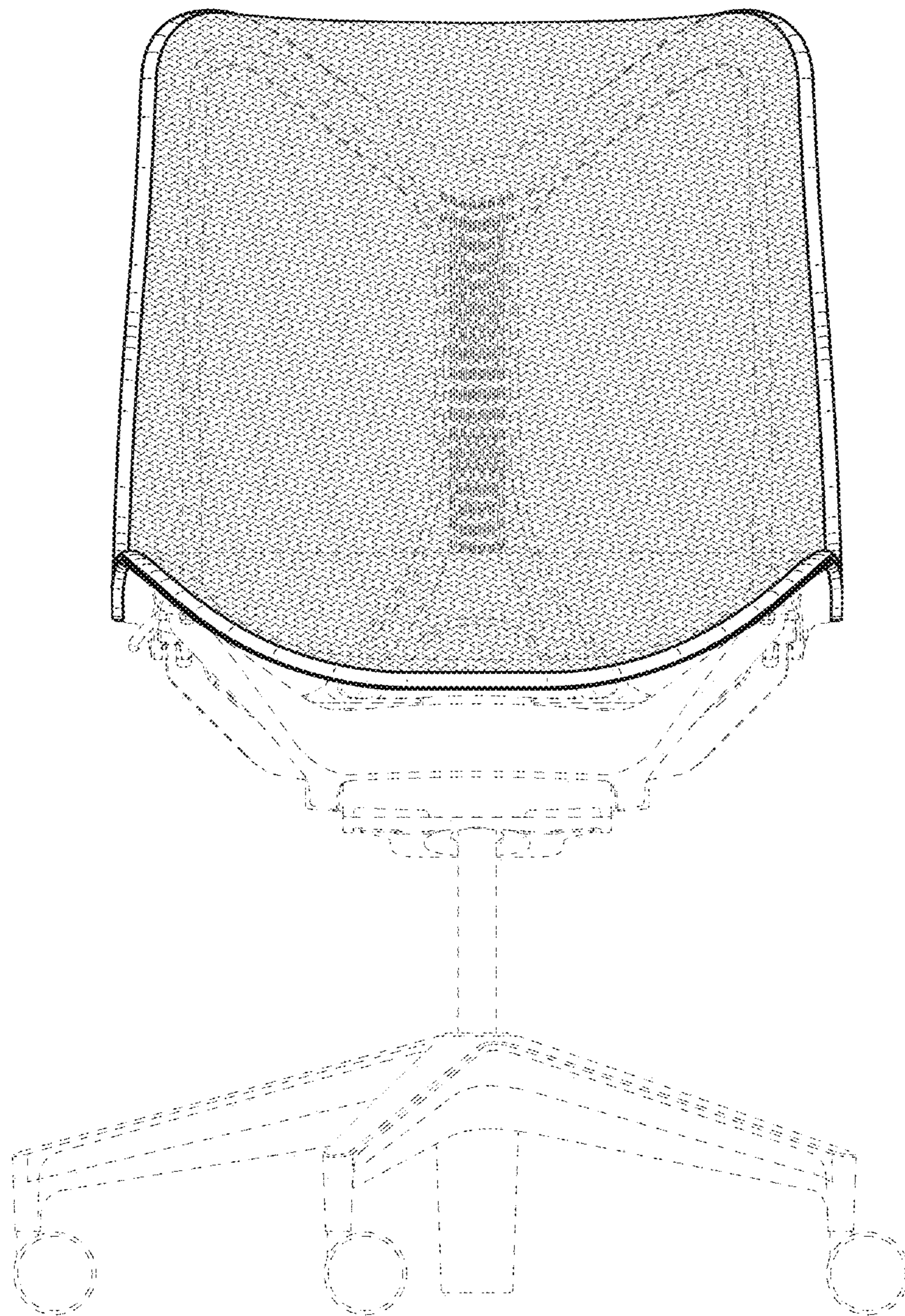


FIG. 4

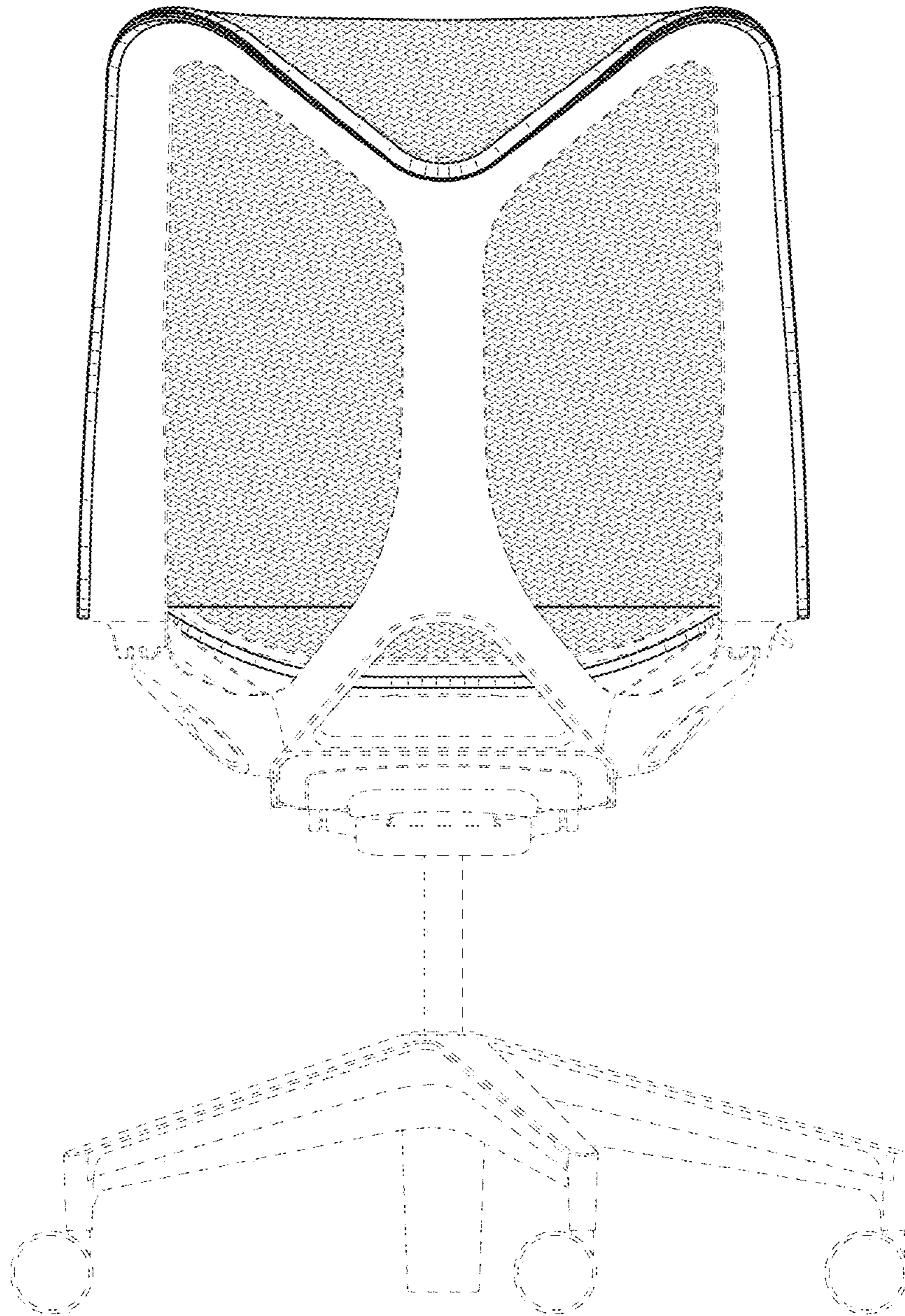


FIG. 5

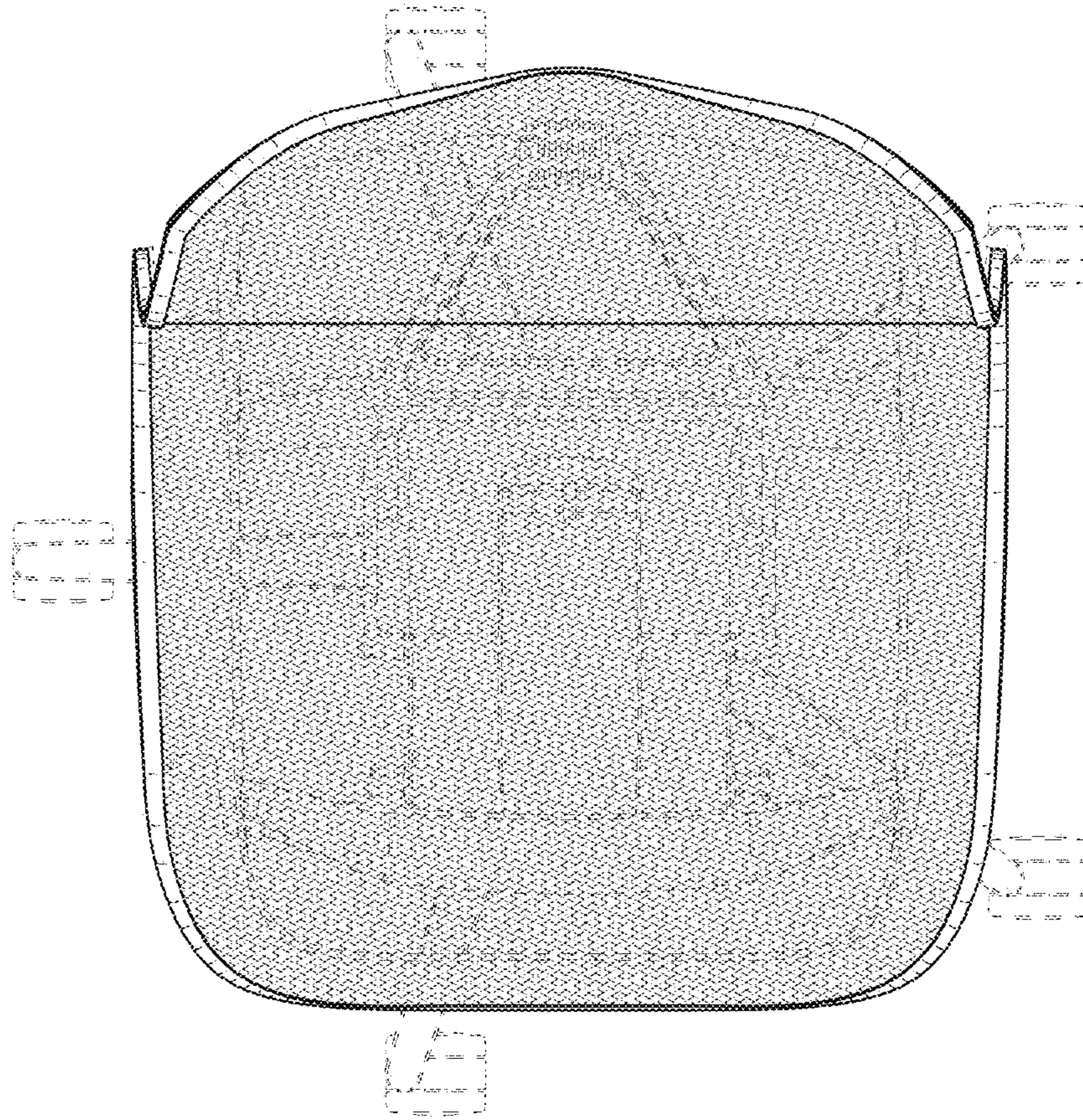


FIG. 6

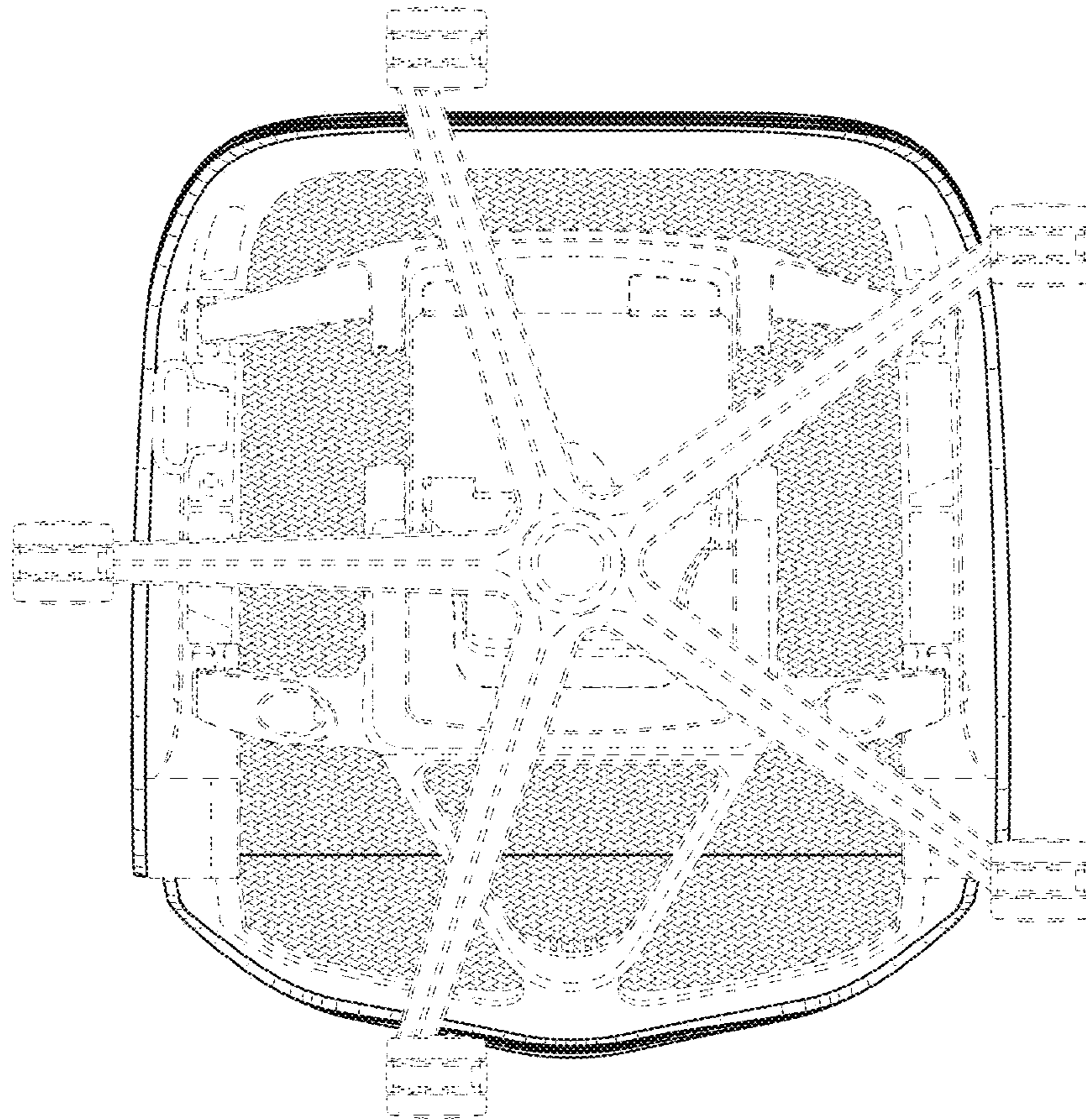


FIG. 7