



US00D887152S

(12) **United States Design Patent**  
**Kuo et al.**

(10) **Patent No.:** **US D887,152 S**  
(45) **Date of Patent:** **\*\* Jun. 16, 2020**

- (54) **MODULAR FURNITURE SET**
- (71) Applicant: **South Asia Furniture Manufacturing Company**, Greensboro, NC (US)
- (72) Inventors: **Jacob Liang Kuo**, Greensboro, NC (US); **Tingting Joyce Kuo**, Greensboro, NC (US); **Inor David Kuo**, Greensboro, NC (US)
- (73) Assignee: **South Asia Furniture Manufacturing Company**, Greensboro, NC (US)
- (\*\*) Term: **15 Years**
- (21) Appl. No.: **29/617,586**
- (22) Filed: **Sep. 14, 2017**
- (51) **LOC (12) Cl.** ..... **06-01**
- (52) **U.S. Cl.**  
USPC ..... **D6/335; D6/349; D6/370; D6/378; D6/381; D6/716.4**
- (58) **Field of Classification Search**  
USPC ..... D6/334, 335, 336, 337, 369, 370, 371, D6/372, 374, 375, 378, 379, 381, 716.4  
CPC .... A47C 7/00; A47C 7/62; A47C 7/18; A47C 7/54; A47C 4/00; A47C 4/028; A47C 4/28; A47C 3/04; A47C 3/12; A47C 1/02; A47C 1/14  
See application file for complete search history.

8,322,793	B2 *	12/2012	Chen	.....	A47C 4/02 297/440.1
8,356,954	B2	1/2013	Koch	.....	403/353
D681,363	S *	5/2013	Porter	.....	D6/381
D682,950	S	5/2013	Johansson	.....	D21/495
D698,169	S *	1/2014	Caldwell	.....	D6/370
D698,170	S *	1/2014	Caldwell	.....	D6/370
D698,173	S *	1/2014	Caldwell	.....	D6/378
8,646,843	B2	2/2014	Koch	.....	297/440.23
D711,661	S *	8/2014	Vanderminden	.....	D6/370
D714,561	S *	10/2014	Lange	.....	D6/349
D714,565	S *	10/2014	Davis	.....	D6/370
D715,568	S *	10/2014	Davis	.....	D6/370
D736,535	S *	8/2015	Foersom	.....	D6/377
D743,707	S *	11/2015	Simitian	.....	D6/349
D766,606	S *	9/2016	Volpe	.....	D6/373
D780,469	S *	3/2017	Cohen	.....	D6/349
D823,013	S *	7/2018	Burden	.....	D6/349
D839,034	S *	1/2019	Woods	.....	D6/716.4
D841,353	S *	2/2019	Bernardi	.....	D6/370
D866,206	S *	11/2019	Tham	.....	D6/335
2003/0193230	A1	10/2003	Guillot	.....	297/440.1

**FOREIGN PATENT DOCUMENTS**

EP 2374374 10/2011 ..... A47C 13/00  
\* cited by examiner

*Primary Examiner* — Deanna L Pratt  
(74) *Attorney, Agent, or Firm* — MacCord Mason PLLC

(57) **CLAIM**

The ornamental design for modular furniture set, as shown and described.

(56) **References Cited**

**U.S. PATENT DOCUMENTS**

3,093,410	A *	6/1963	Wilson	.....	A47C 17/37 297/119
3,127,216	A *	3/1964	Clouse	.....	A47C 7/282 297/134
4,140,065	A	2/1979	Chacon	.....	108/156
D259,605	S *	6/1981	Marks	.....	D6/378
D270,403	S *	9/1983	Matthias	.....	D6/378
5,520,437	A	5/1996	LaPointe et al.	.....	297/233
6,296,314	B1 *	10/2001	Klein	.....	A47B 85/04 297/119
D638,233	S *	5/2011	Perunovic	.....	D6/381

**DESCRIPTION**

FIG. 1 is a front perspective view of a first embodiment of the deck piece of the design for a modular furniture set; FIG. 2 is a top plan view of a first embodiment of the deck piece thereof; FIG. 3 is a front elevation view of a first embodiment of the deck piece thereof; FIG. 4 is a right side elevation view of a first embodiment of the deck piece thereof, the opposite side elevation view being a mirror image;

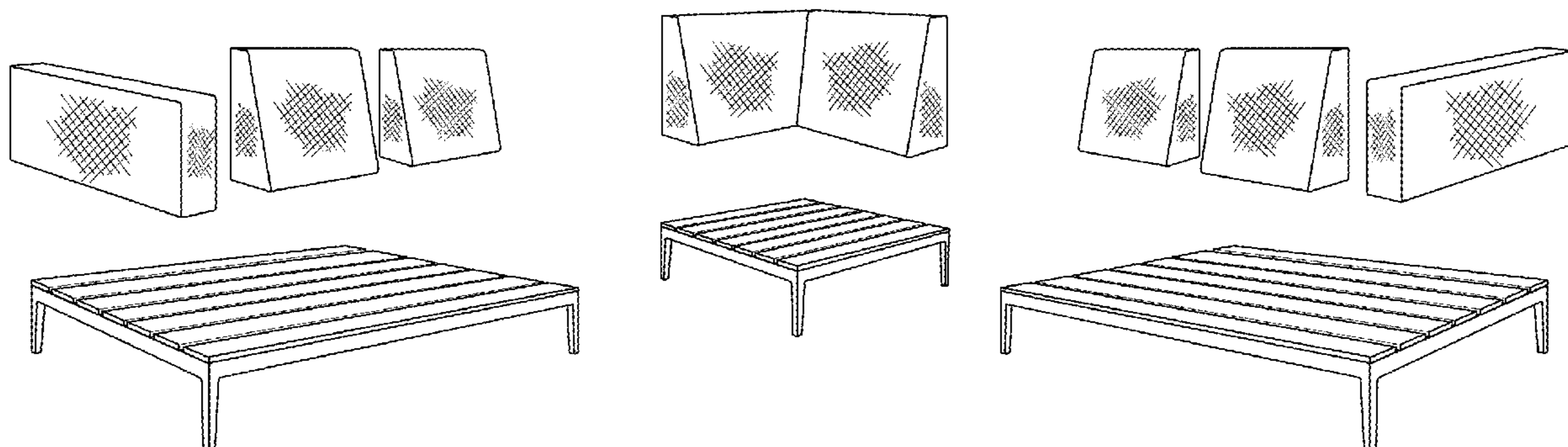


FIG. 5 is a front perspective view of a second embodiment of the deck piece of the design;

FIG. 6 is a top plan view of a second embodiment of the deck piece of the design;

FIG. 7 is a front elevation view of a second embodiment of the deck piece of the design;

FIG. 8 is a right side elevation view of a second embodiment of the deck piece of the design, the opposite side elevation view being a mirror image;

FIG. 9 is a front perspective view of a third embodiment of the deck piece of the design;

FIG. 10 is a top plan view of a third embodiment of the deck piece of the design;

FIG. 11 is a front elevation view of a third embodiment of the deck piece of the design;

FIG. 12 is a right side elevation view of a third embodiment of the deck piece of the design, the opposite side elevation view being a mirror image;

FIG. 13 is a front perspective view of a first embodiment of the seat back piece of the design;

FIG. 14 is a front elevation view of a first embodiment of the seat back piece of the design;

FIG. 15 is a top plan view of a first embodiment of the seat back piece of the design;

FIG. 16 is a right side elevation view of a first embodiment of the seat back piece of the design, the opposite side elevation view being a mirror image;

FIG. 17 is a front perspective view of a second embodiment of the seat back piece of the design for a corner;

FIG. 18 is a front elevation view of a second embodiment of the seat back piece of the design for a corner;

FIG. 19 is a top plan view of a second embodiment of the seat back piece of the design for a corner;

FIG. 20 is a right side elevation view of a second embodiment of the seat back piece of the design for a corner;

FIG. 21 is a left side elevation view of a second embodiment of the seat back piece of the design for a corner;

FIG. 22 is a front perspective view of the arm piece of the design;

FIG. 23 is a front elevation view of the arm piece of the design;

FIG. 24 is a top plan view of the arm piece of the design; and

FIG. 25 is a right side elevation view of the arm piece of the design, the opposite side elevation view being a mirror image.

FIG. 26 is a perspective view of a configuration of the modular furniture set comprising two deck pieces shown in FIGS. 5-8, a single deck piece shown in FIGS. 9-12, four seat back pieces shown in FIGS. 13-16, and a single corner seat back piece shown in FIGS. 17-21; and

FIG. 27 is an exploded perspective view thereof.

FIG. 28 is a perspective view of a configuration of the modular furniture set comprising two deck pieces shown in FIGS. 5-8, a single deck piece shown in FIGS. 9-12, four seat back pieces shown in FIGS. 13-16, a single corner seat back piece shown in FIGS. 17-21, and two arm pieces shown in FIGS. 22-25; and

FIG. 29 is an exploded perspective view thereof.

FIG. 30 is a perspective view of another configuration of the modular furniture set comprising two deck pieces shown in FIGS. 1-4, a single deck piece shown in FIGS. 9-12, six seat back pieces shown in FIGS. 13-16, and a single corner seat back piece shown in FIGS. 17-21; and

FIG. 31 is an exploded perspective view thereof.

FIG. 32 is a perspective view of another configuration of the modular furniture set comprising two deck pieces shown in FIGS. 1-4, a single deck piece shown in FIGS. 9-12, six seat back pieces shown in FIGS. 13-16, a single corner seat back piece shown in FIGS. 17-21, and two arm pieces shown in FIGS. 22-25; and

FIG. 33 is an exploded perspective view thereof.

FIG. 34 is a perspective view of another configuration of the modular furniture set comprising one deck piece shown in FIGS. 1-4, one deck piece shown in FIGS. 5-9, a single deck piece shown in FIGS. 9-12, and five seat back pieces shown in FIGS. 13-16; and

FIG. 35 is an exploded perspective view thereof.

FIG. 36 is a perspective view of another configuration of the modular furniture set comprising one deck piece shown in FIGS. 5-9, two seat back pieces shown in FIGS. 13-16, and three arm pieces shown in FIGS. 22-25; and

FIG. 37 is an exploded perspective view thereof.

FIG. 38 is a perspective view of another configuration of the modular furniture set comprising one deck piece shown in FIGS. 1-4, three seat back pieces shown in FIGS. 13-16, and four arm pieces shown in FIGS. 22-25; and

FIG. 39 is an exploded perspective view thereof.

FIG. 40 is a perspective view of another configuration of the modular furniture set comprising one deck piece shown in FIGS. 9-12, one seat back piece shown in FIGS. 13-16, and two arm pieces shown in FIGS. 22-25; and

FIG. 41 is an exploded perspective view thereof.

FIG. 42 is a perspective view of another configuration of the modular furniture set comprising one deck piece shown in FIGS. 1-4, and three seat back pieces shown in FIGS. 13-16; and

FIG. 43 is an exploded perspective view thereof.

FIG. 44 is a perspective view of another configuration of the modular furniture set comprising one deck piece shown in FIGS. 5-9, and two seat back pieces shown in FIGS. 13-16; and

FIG. 45 is an exploded perspective view thereof.

FIG. 46 is a perspective view of another configuration of the modular furniture set comprising one deck piece shown in FIGS. 1-4, one seat back piece shown in FIGS. 13-16, and a single corner seat back piece shown in FIGS. 17-21; and

FIG. 47 is an exploded perspective view thereof.

FIG. 48 is a perspective view of another configuration of the modular furniture set comprising four deck pieces shown in FIGS. 9-12, two seat back pieces shown in FIGS. 13-16, and two corner seat back pieces shown in FIGS. 17-21; and

FIG. 49 is an exploded perspective view thereof.

FIG. 50 is a perspective view of another configuration of the modular furniture set comprising one deck piece shown in FIGS. 5-9, and one seat back piece shown in FIGS. 13-16; and

FIG. 51 is an exploded perspective view thereof.

FIG. 52 is a perspective view of another configuration of the modular furniture set comprising one deck piece shown in FIGS. 5-9, and a single corner seat back piece shown in FIGS. 17-21; and

FIG. 53 is an exploded perspective view thereof.

FIG. 54 is a perspective view of another configuration of the modular furniture set comprising two deck pieces shown in FIGS. 5-9, and two seat back pieces shown in FIGS. 13-16; and

FIG. 55 is an exploded perspective view thereof.

FIG. **56** is a perspective view of another configuration of the modular furniture set comprising two deck pieces shown in FIGS. **5-9**, and two corner seat back pieces shown in FIGS. **17-21**; and,

FIG. **57** is an exploded perspective view thereof.

The objects shown in dotted lines depict environment and form no part of the claimed design.

The claimed design is directed to the collective appearance of the modular furniture set.

**1 Claim, 25 Drawing Sheets**

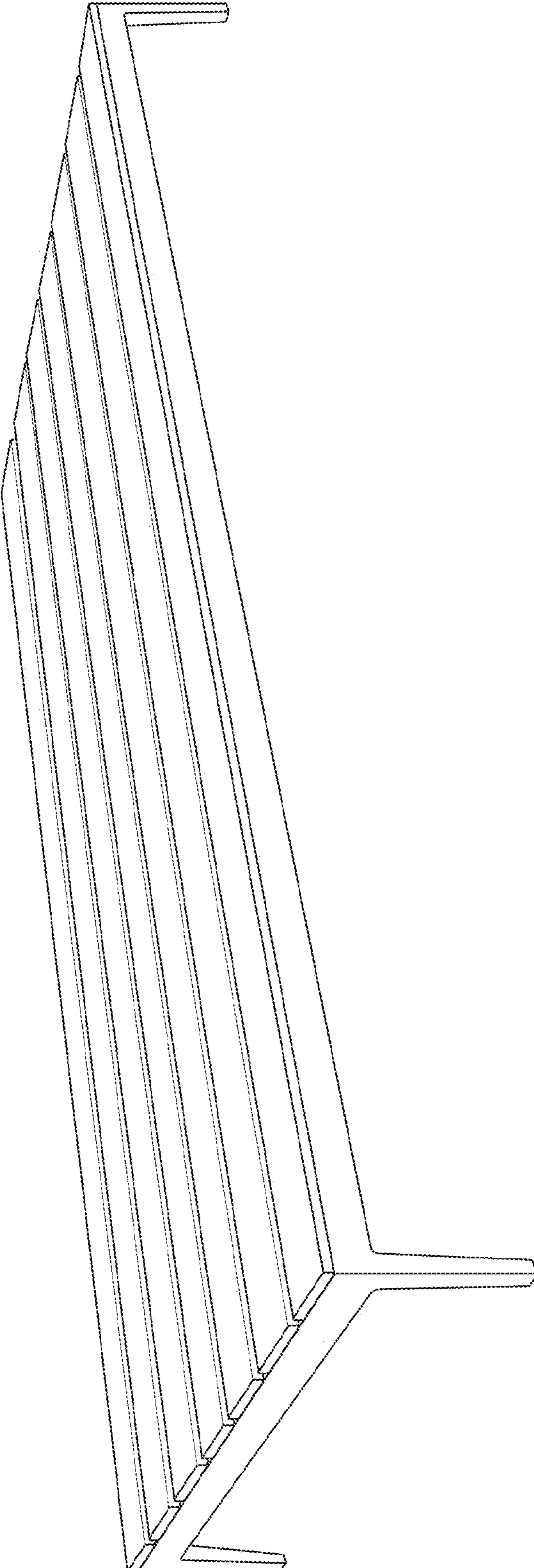


FIG. 1

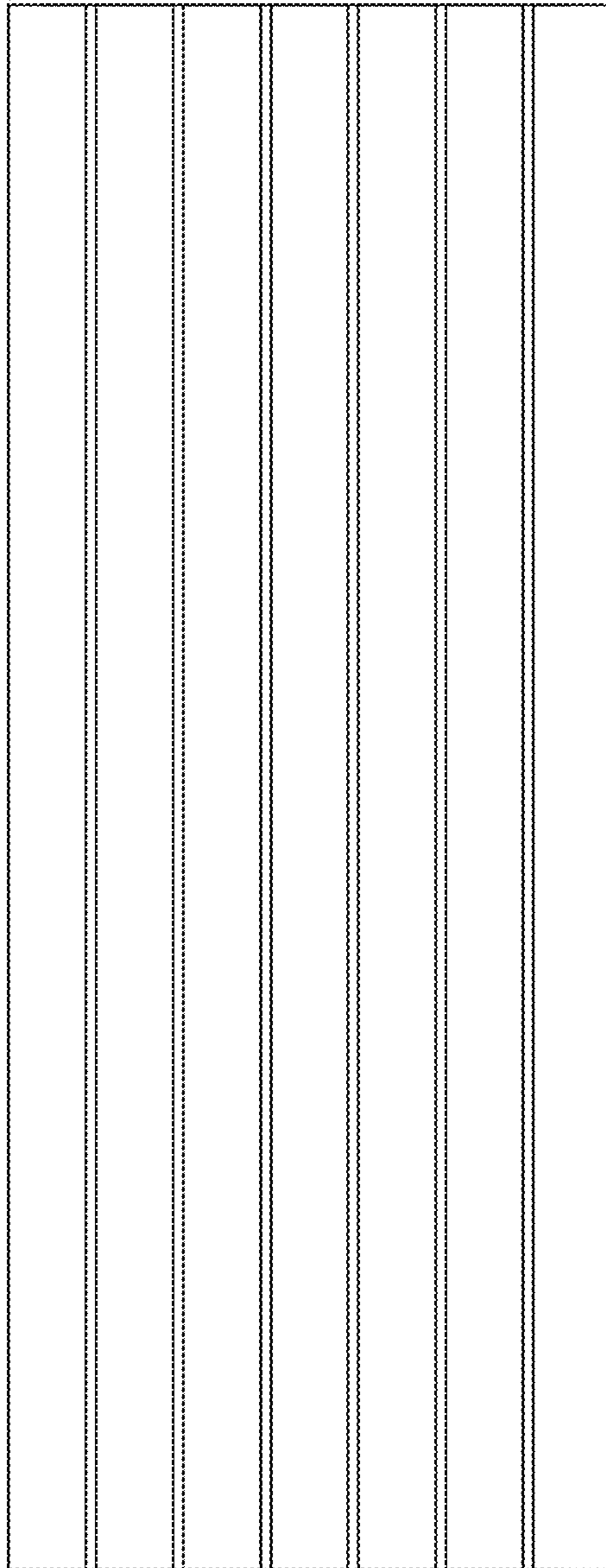


FIG. 2

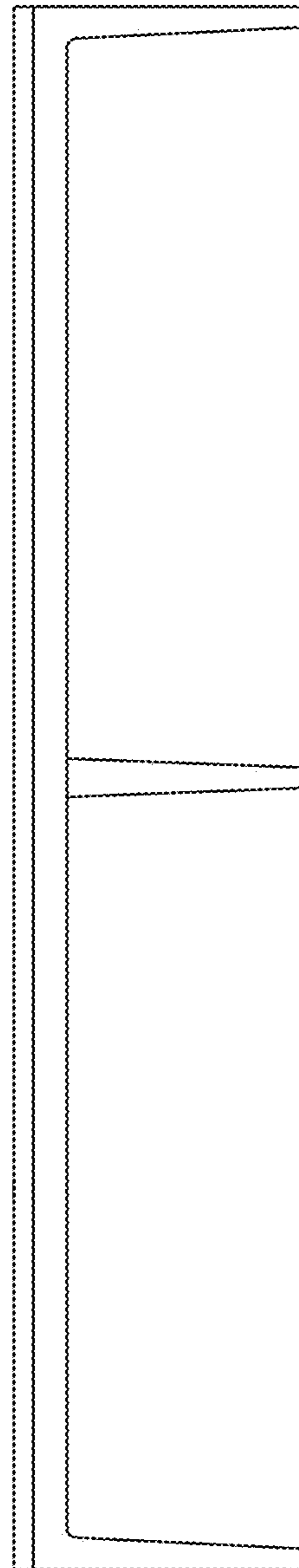


FIG. 3

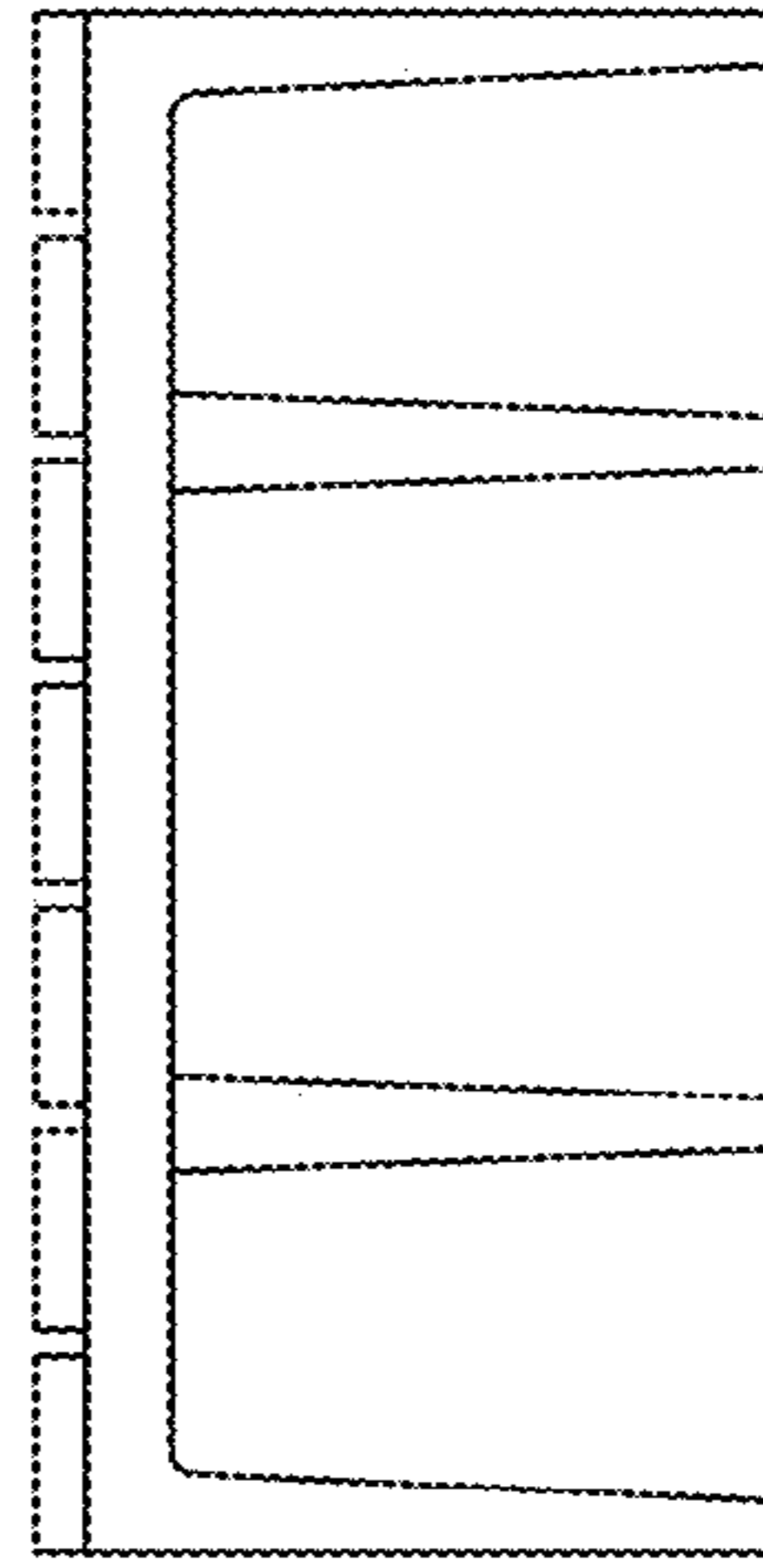


FIG. 4

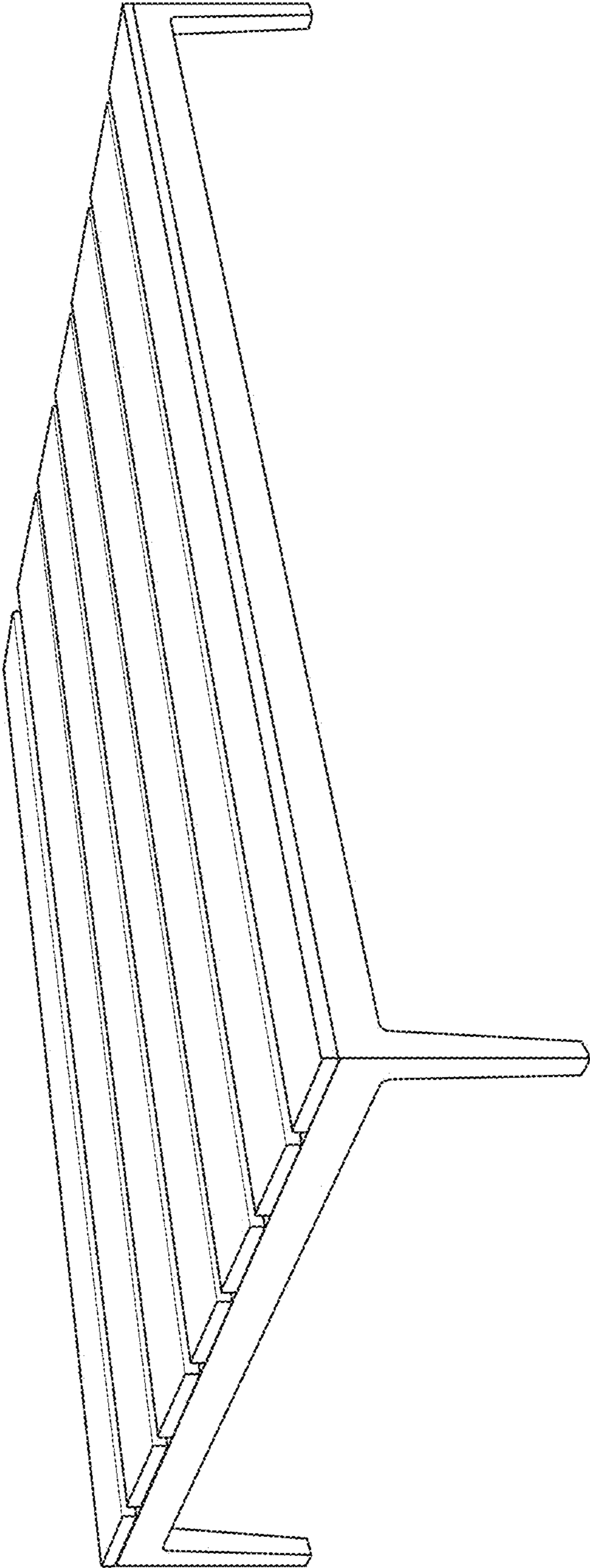


FIG. 5

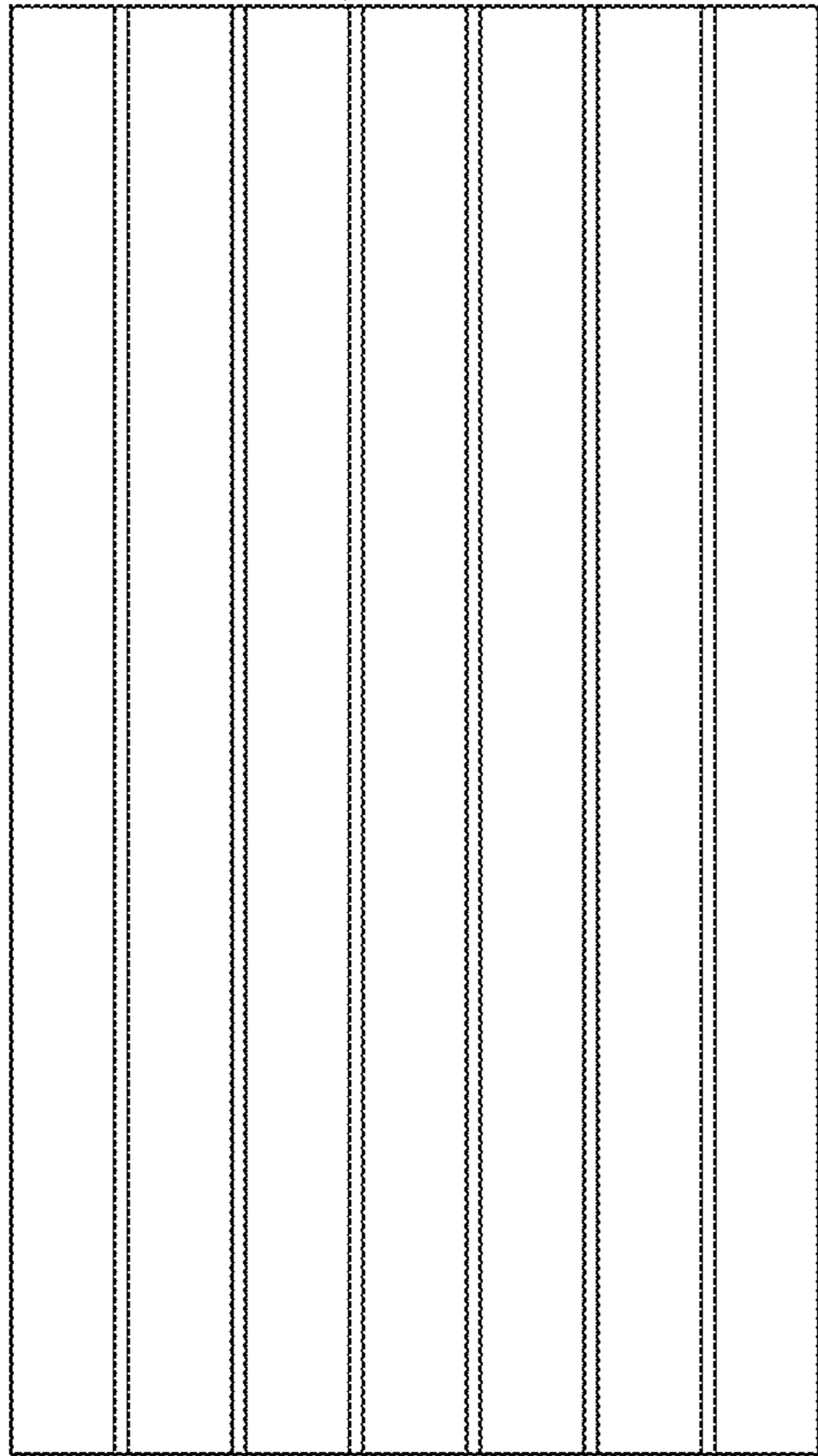


FIG. 6

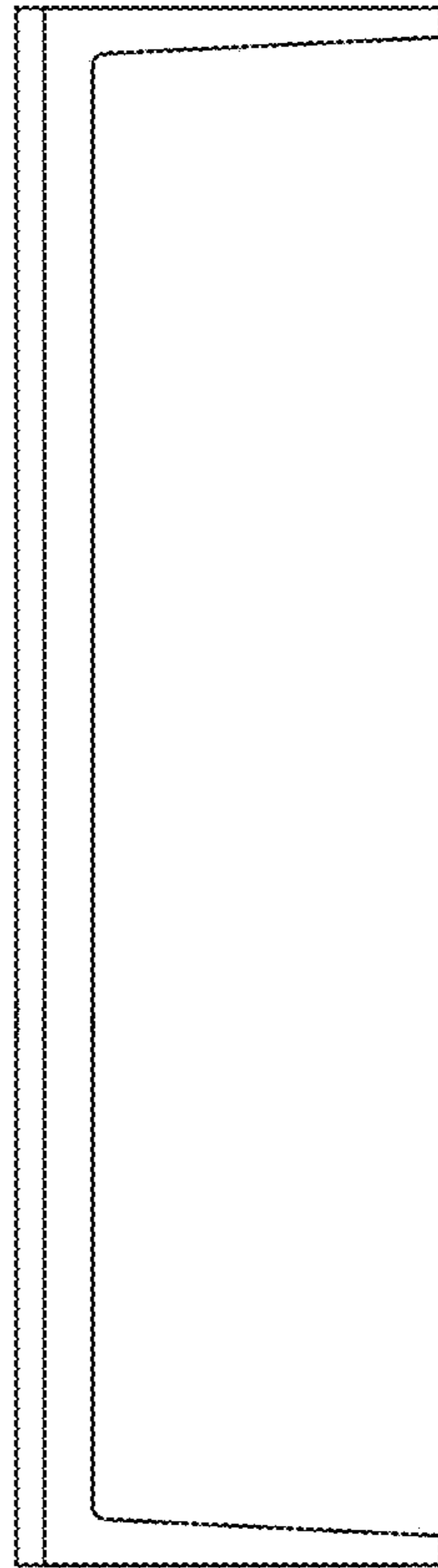


FIG. 7

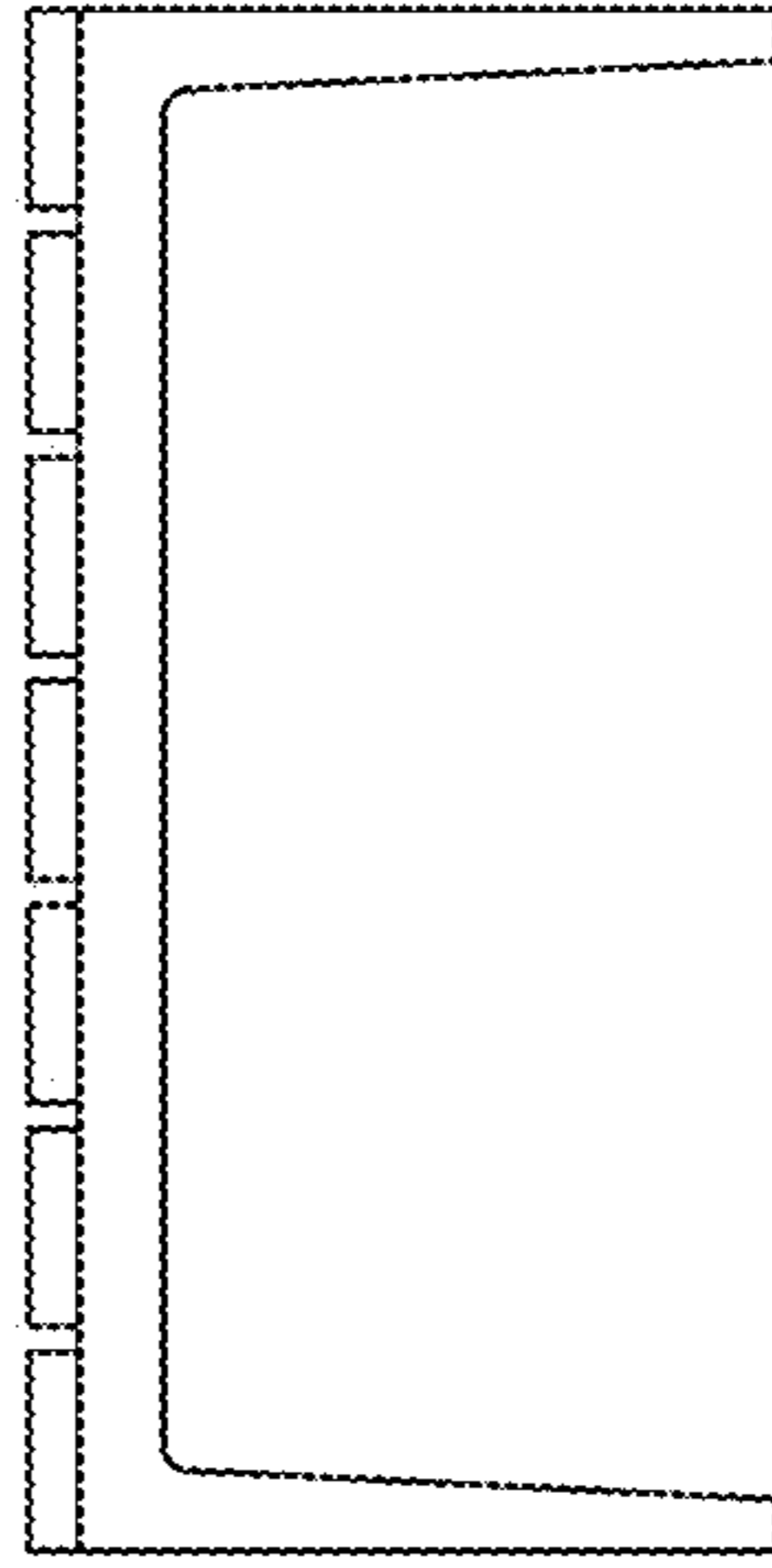


FIG. 8

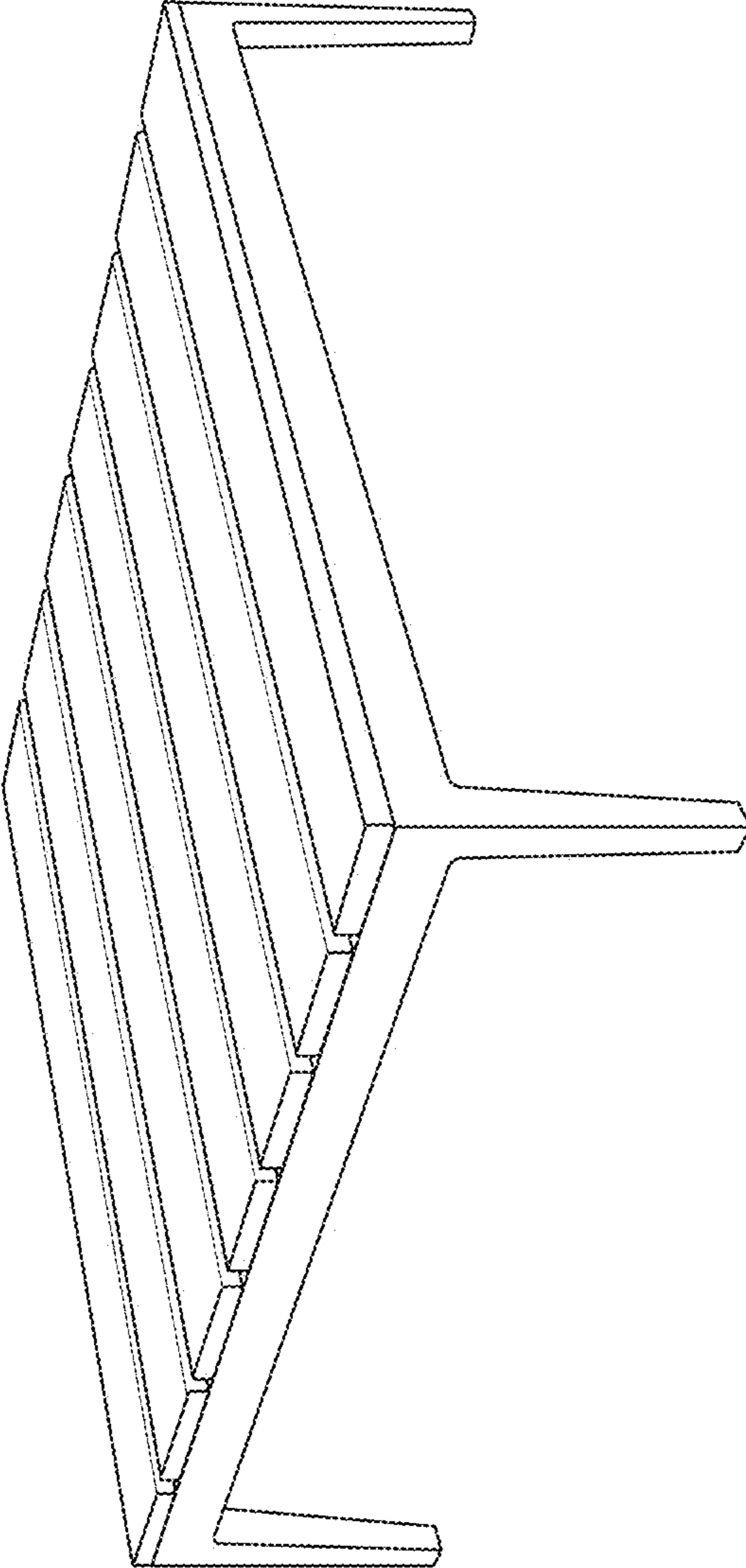


FIG. 9



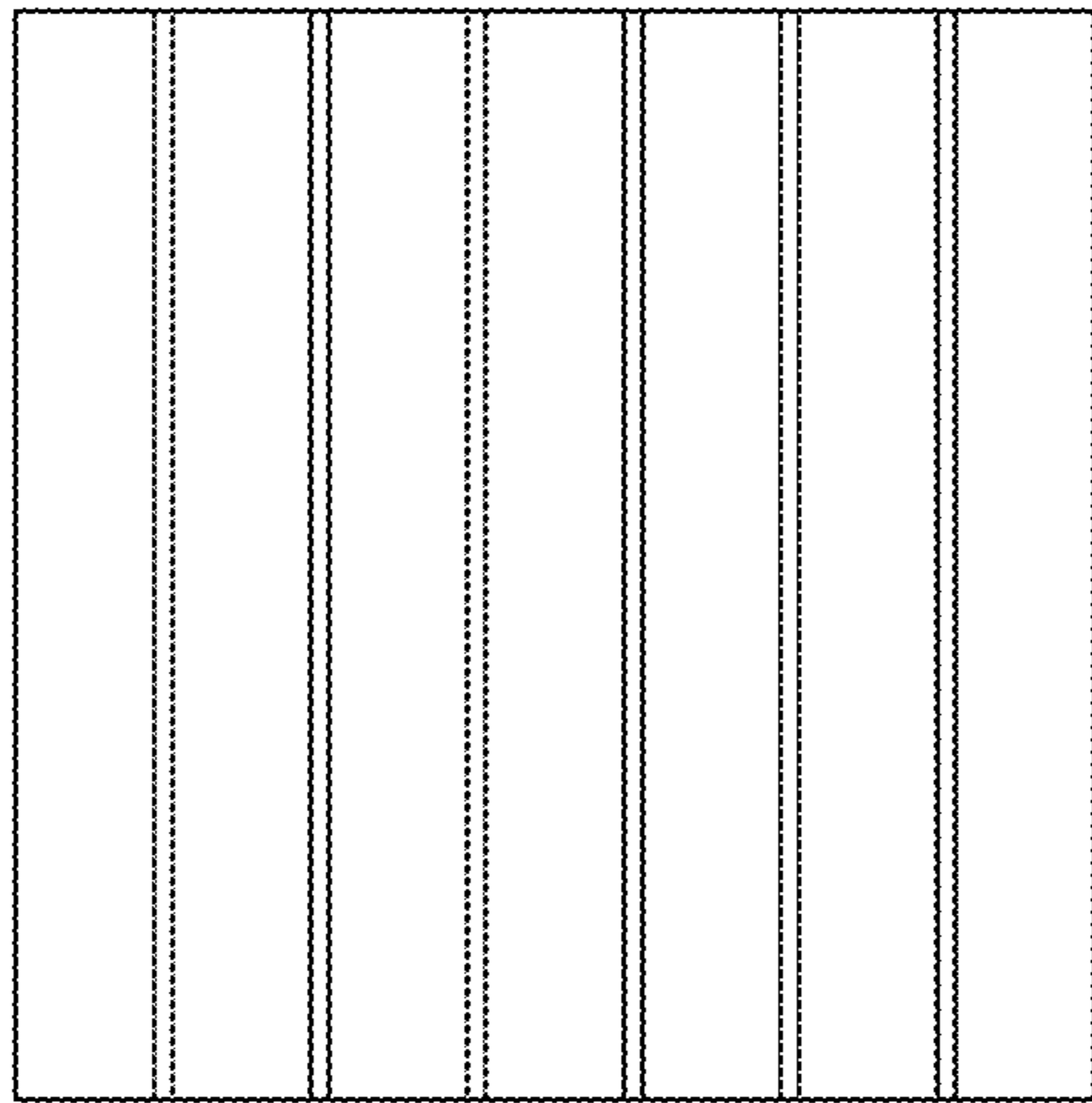


FIG. 10

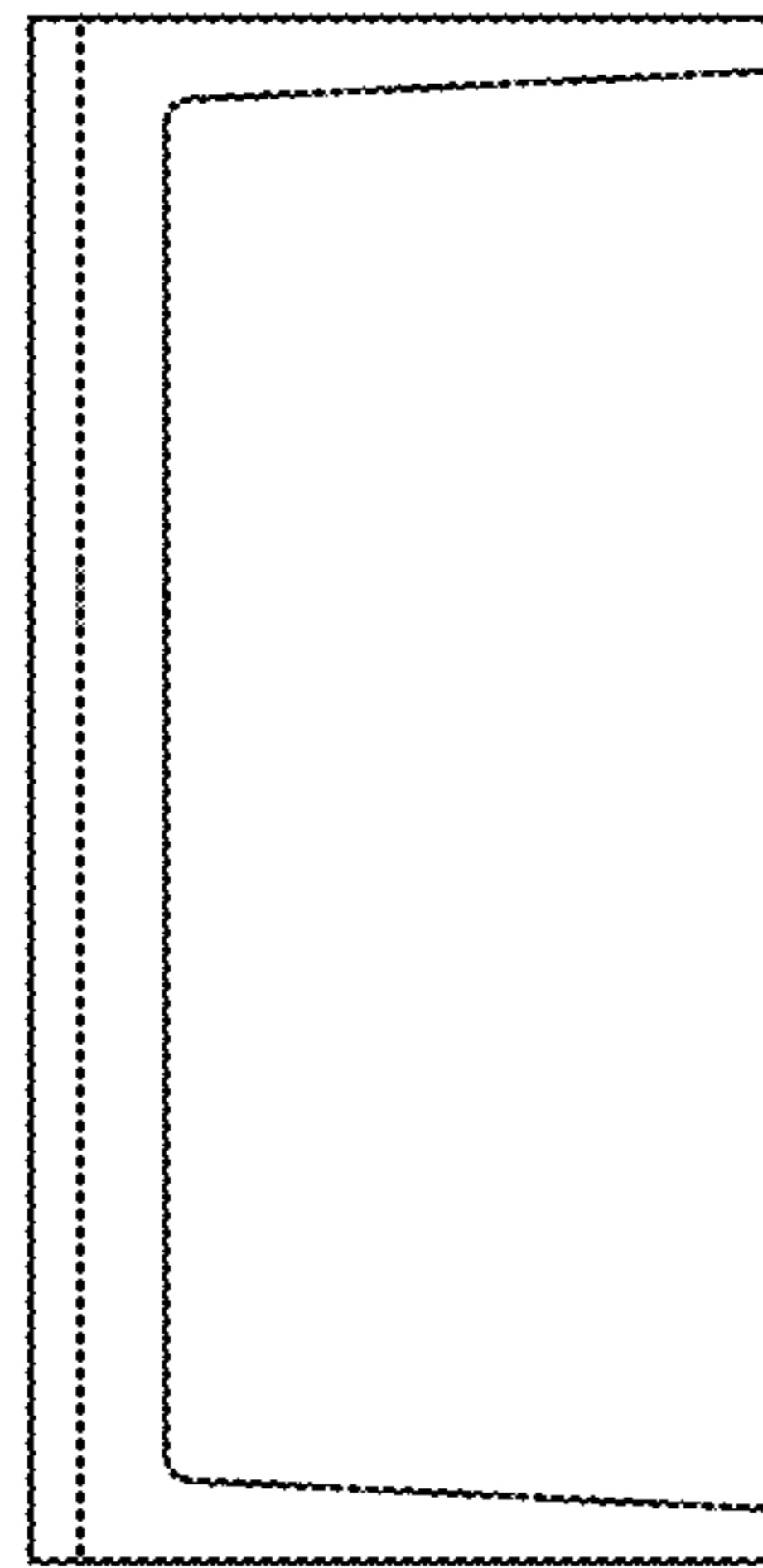


FIG. 11

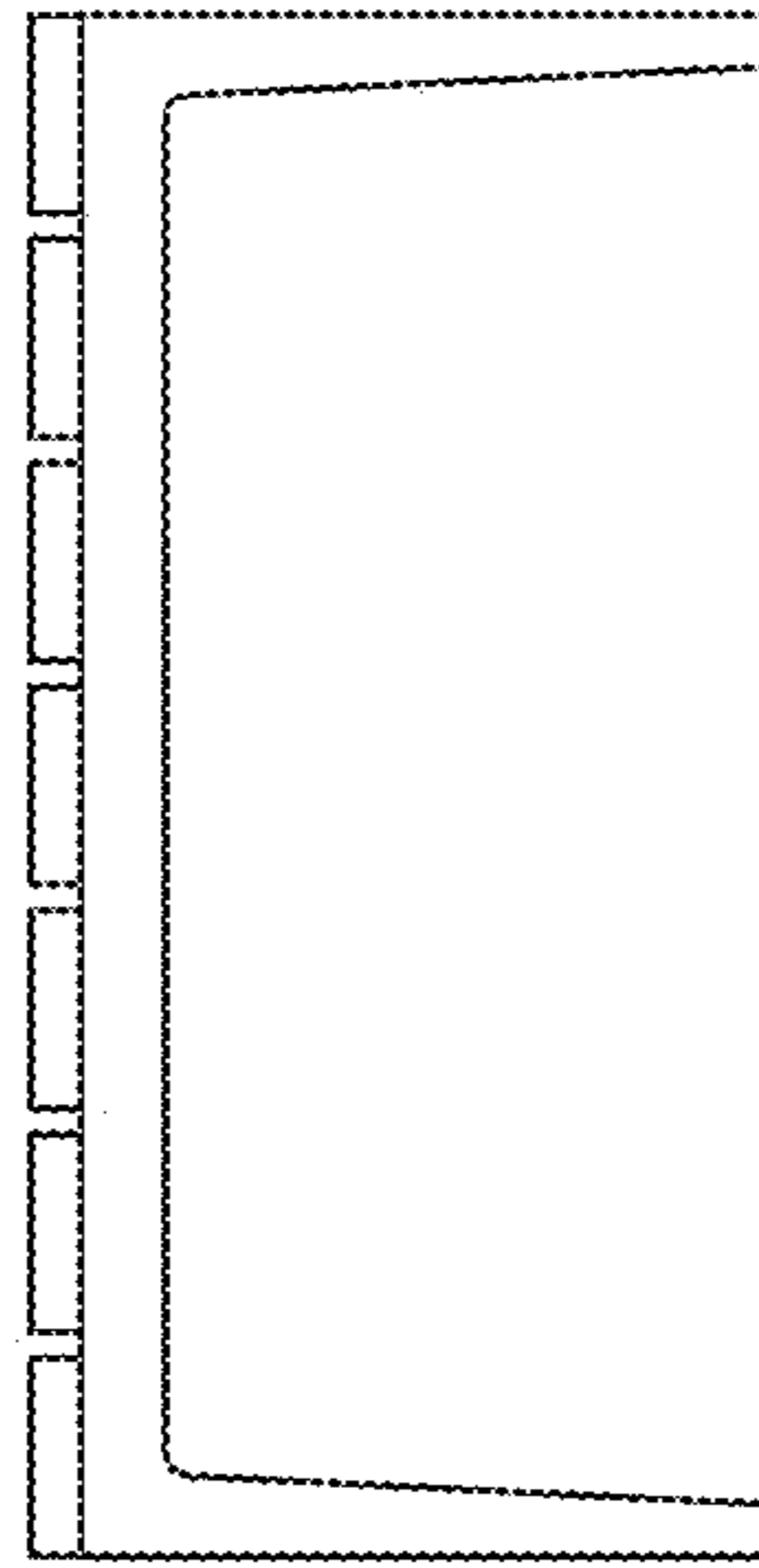


FIG. 12

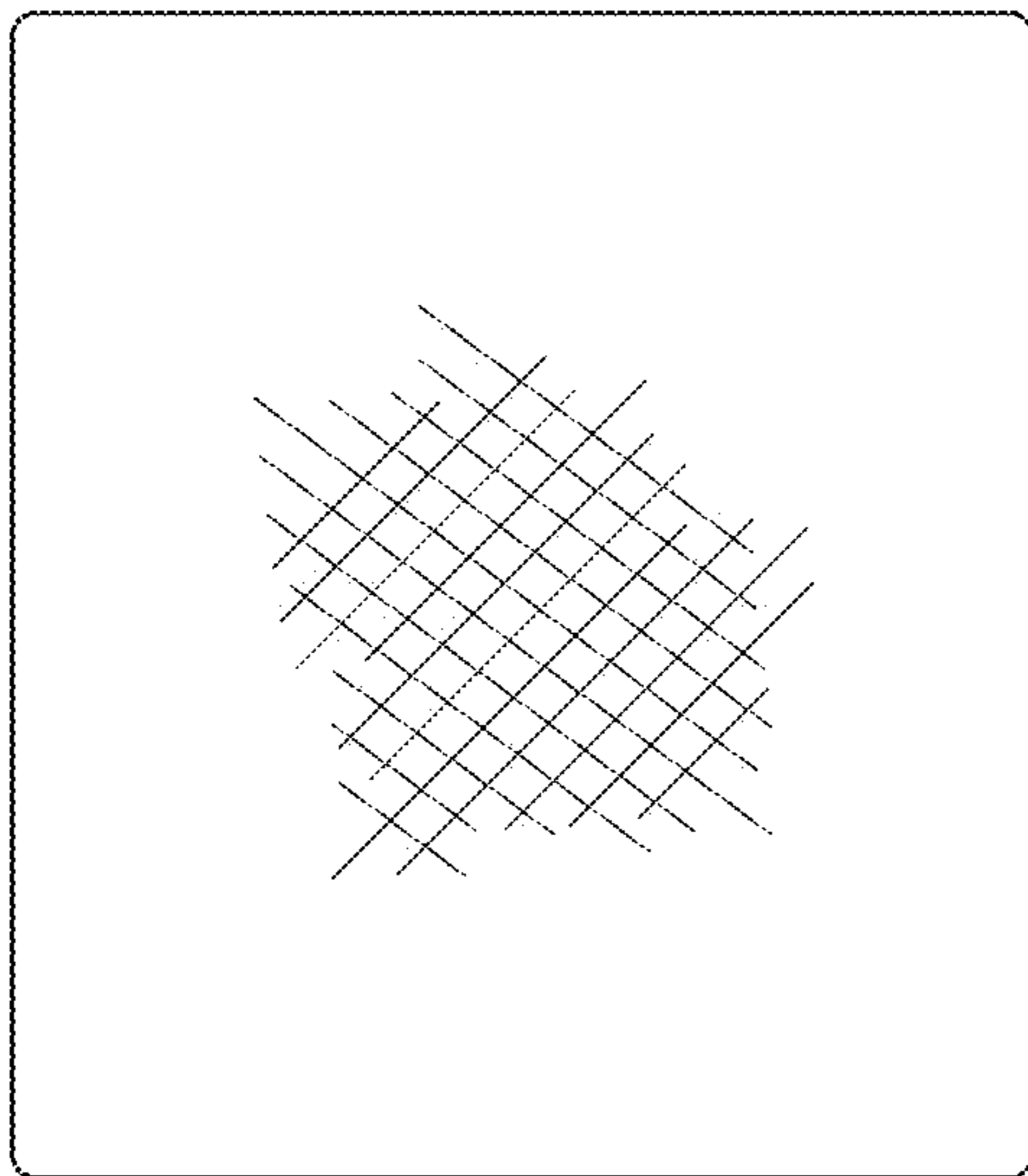


FIG. 14

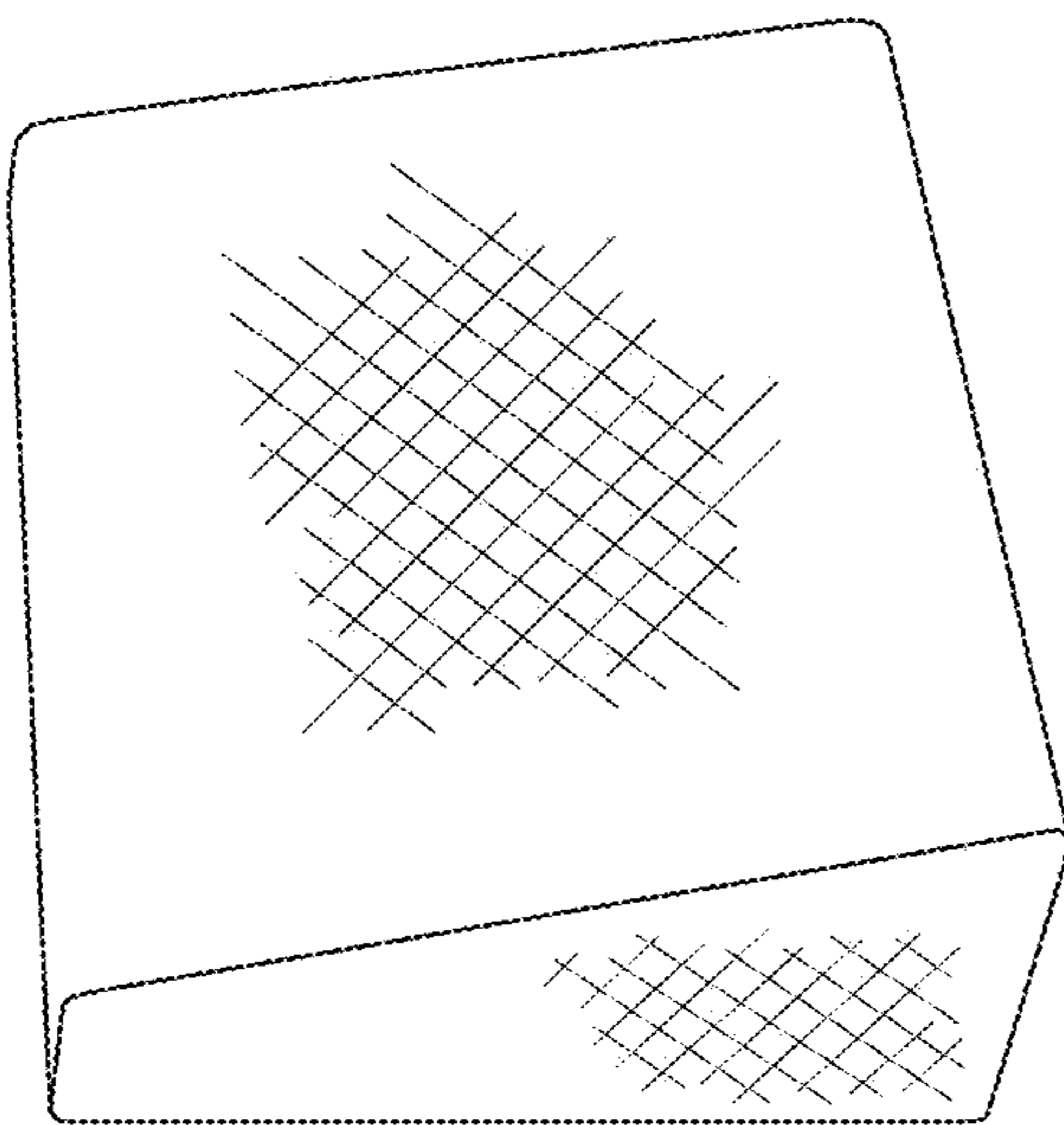


FIG. 13

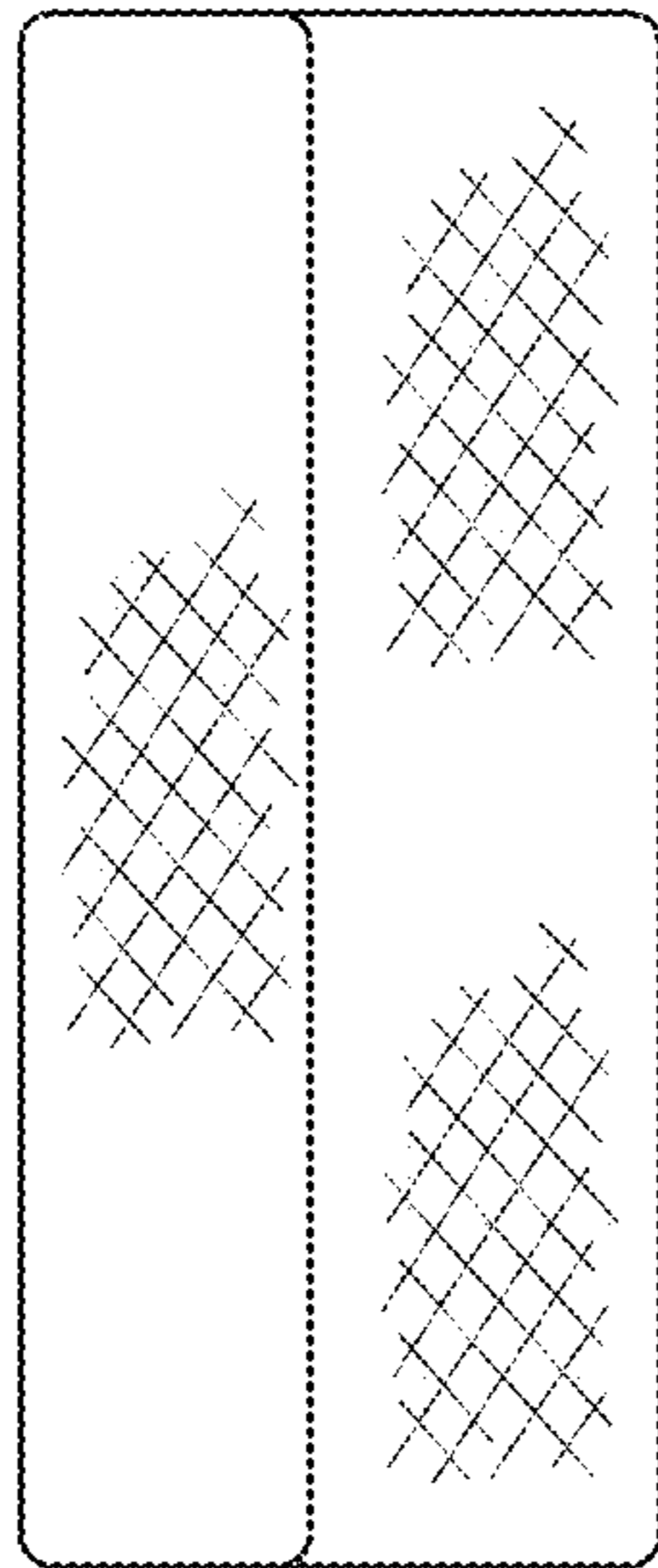


FIG. 15

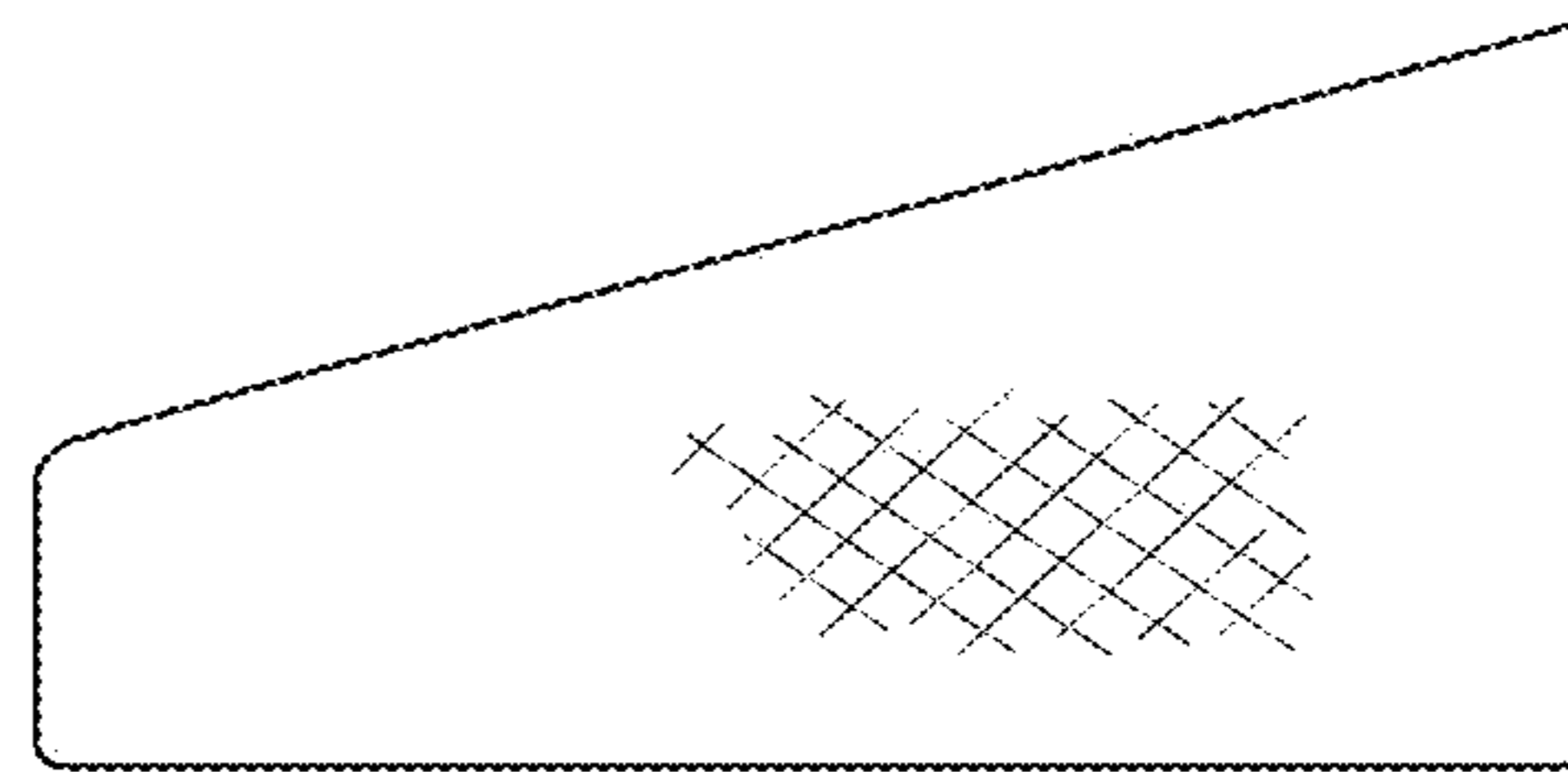


FIG. 16

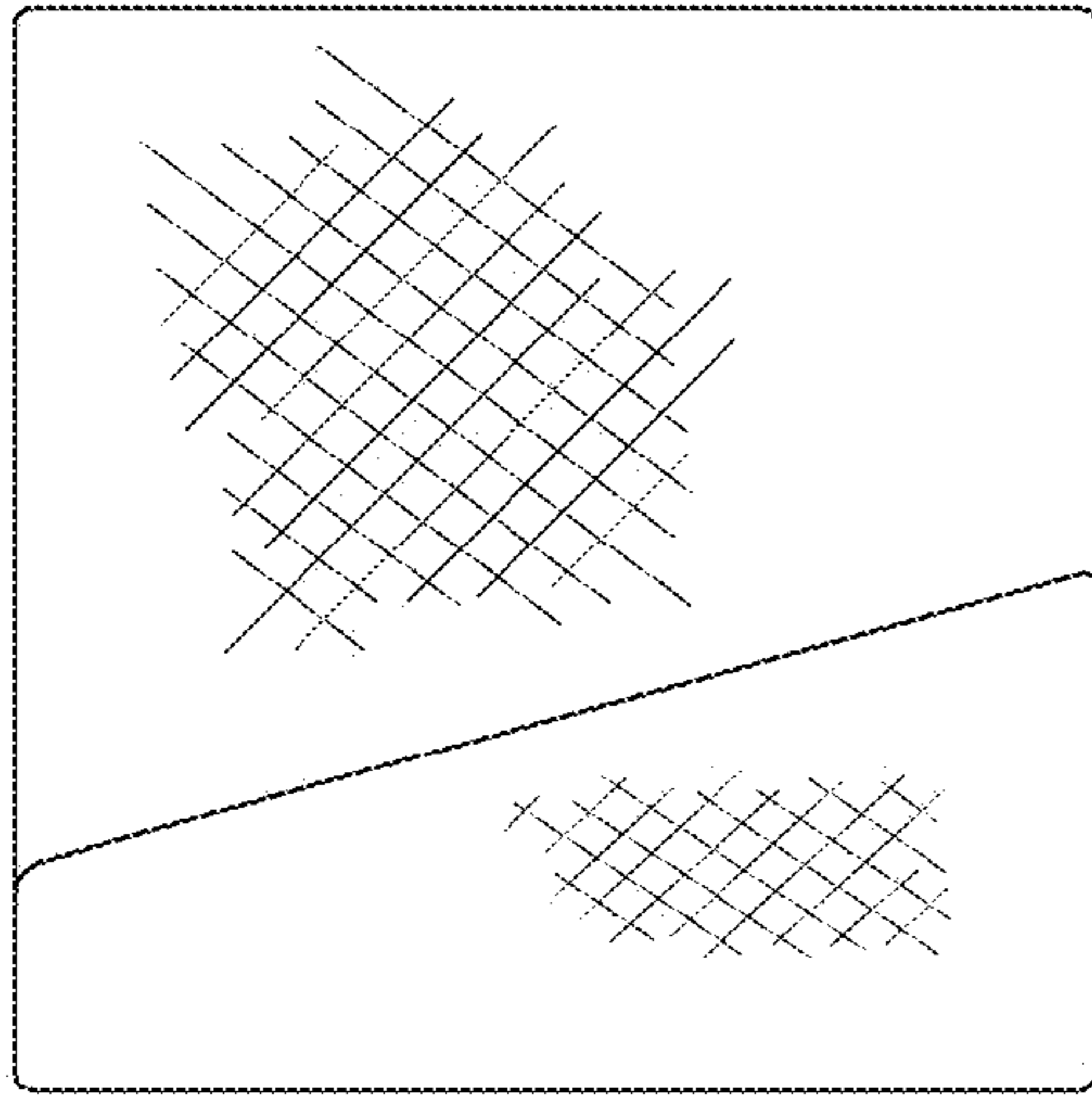


FIG. 18

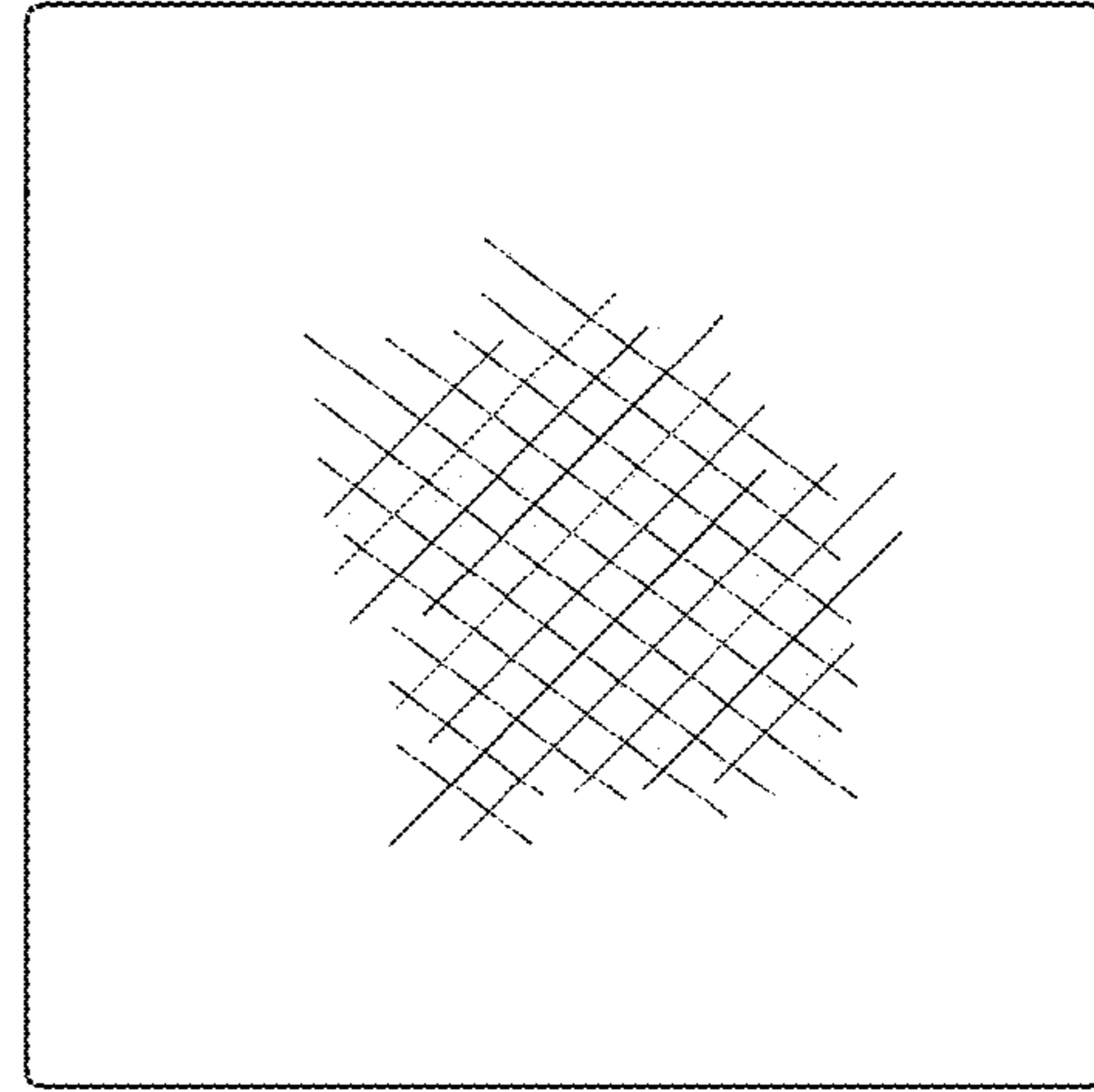


FIG. 21

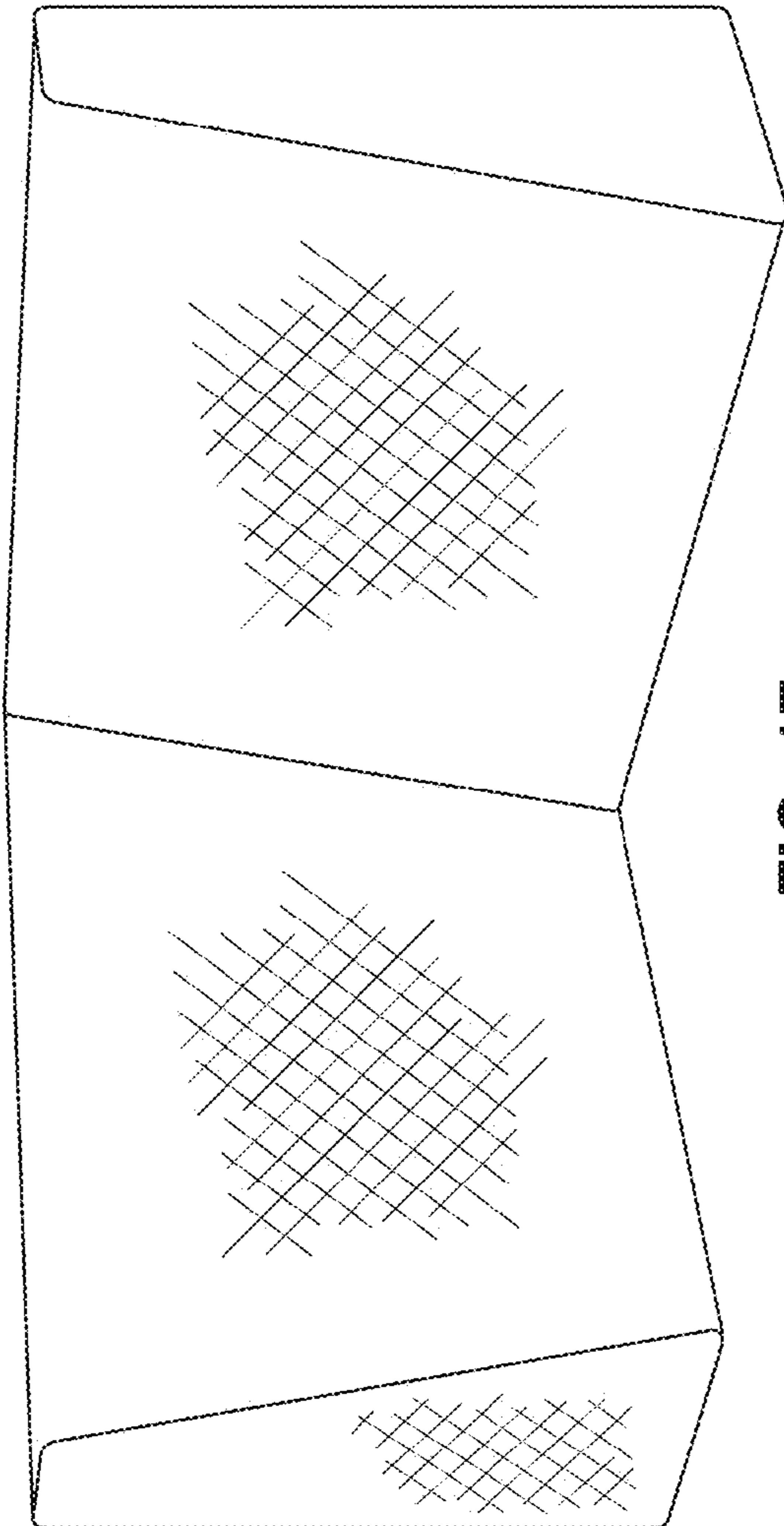


FIG. 17

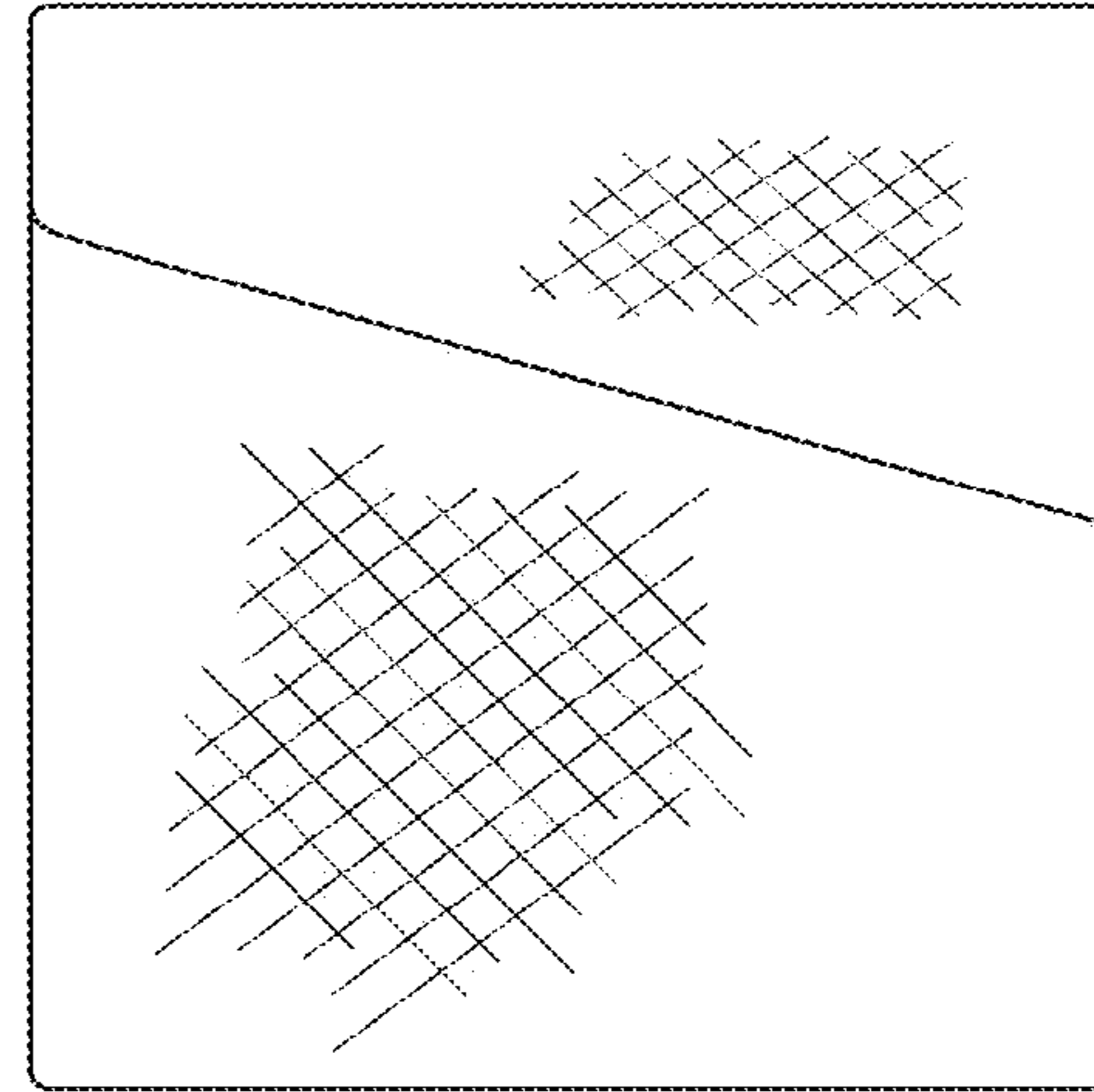


FIG. 20

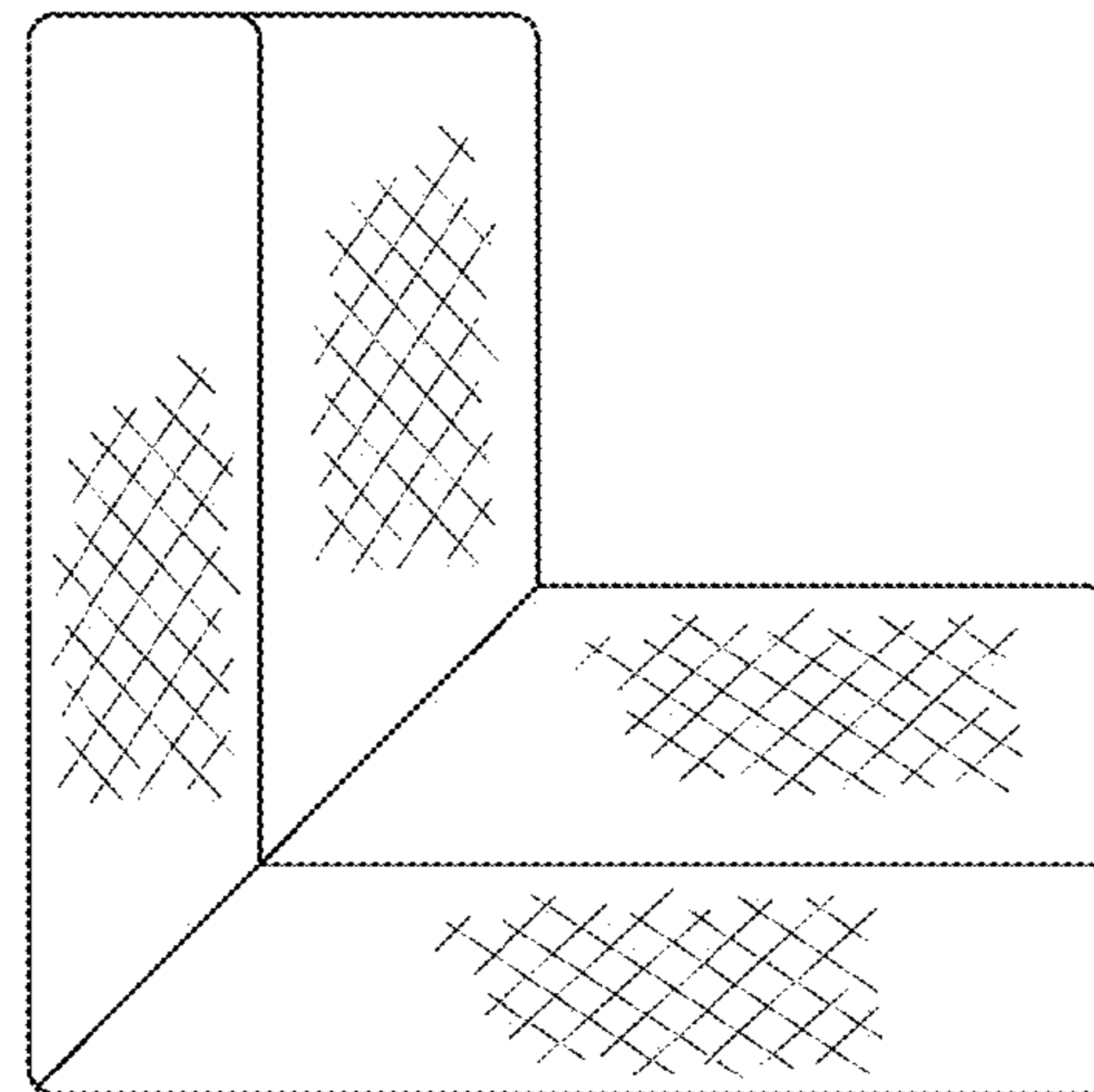


FIG. 19

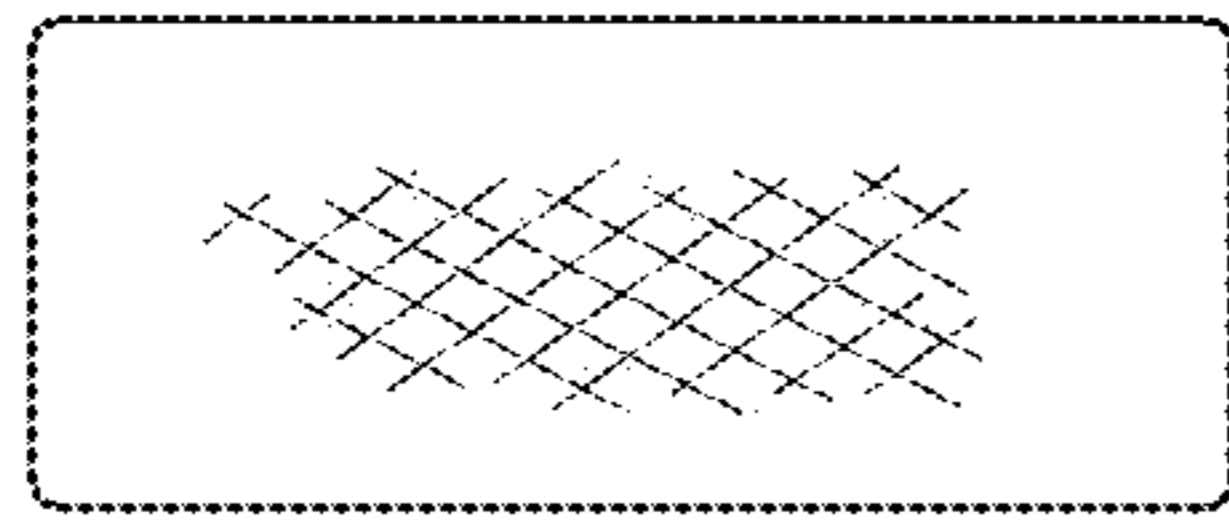


FIG. 23

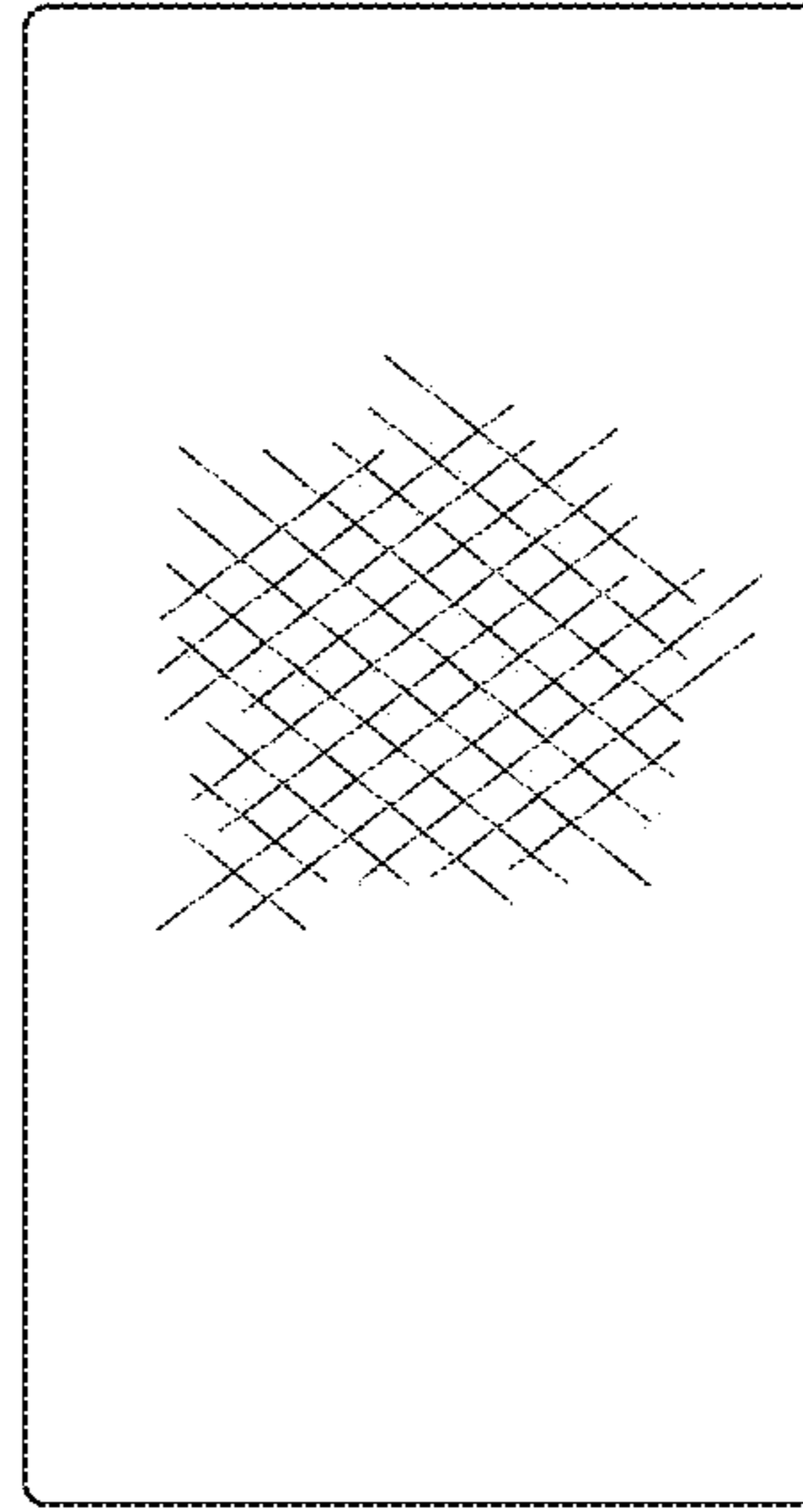


FIG. 25

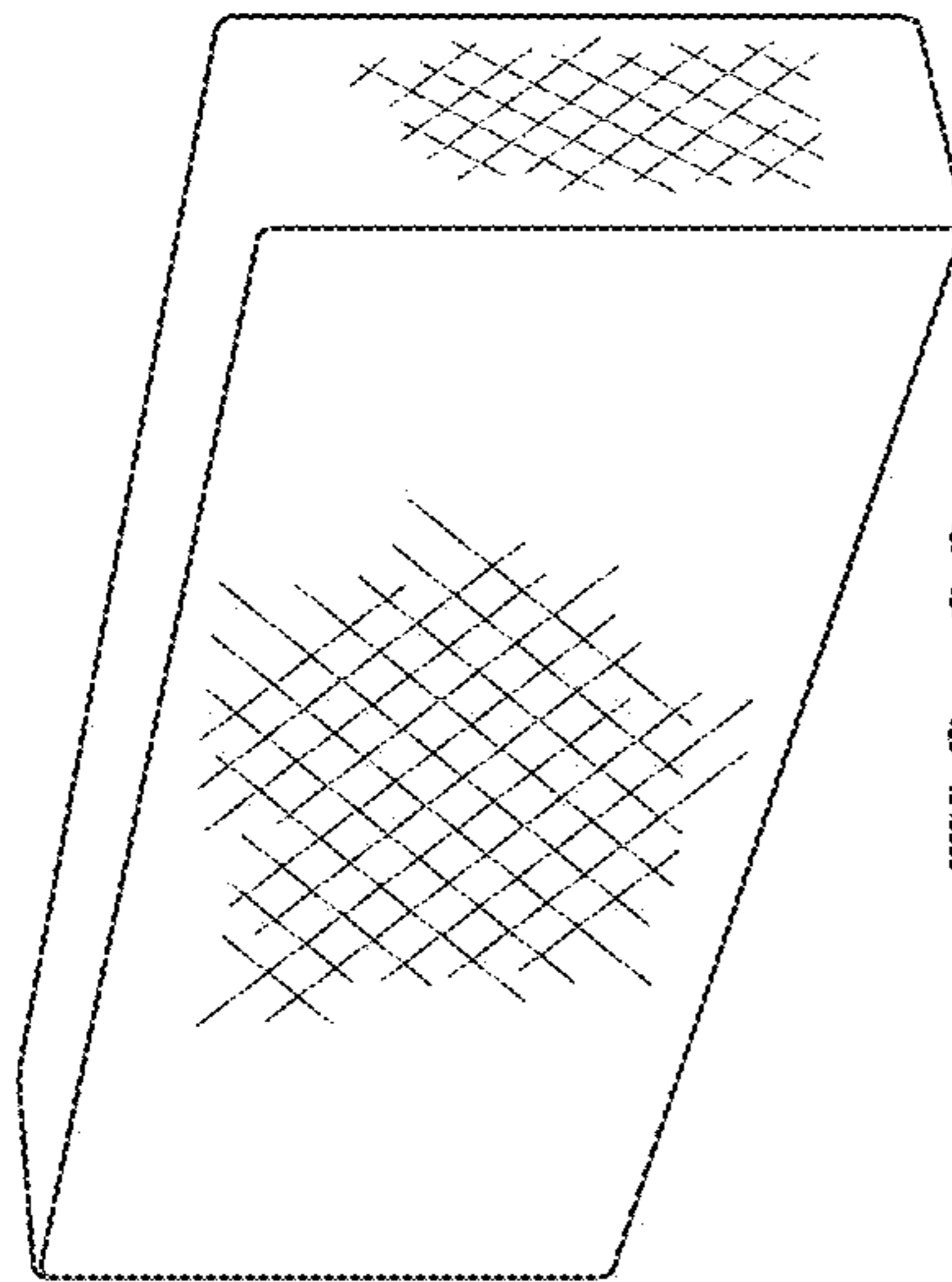


FIG. 22

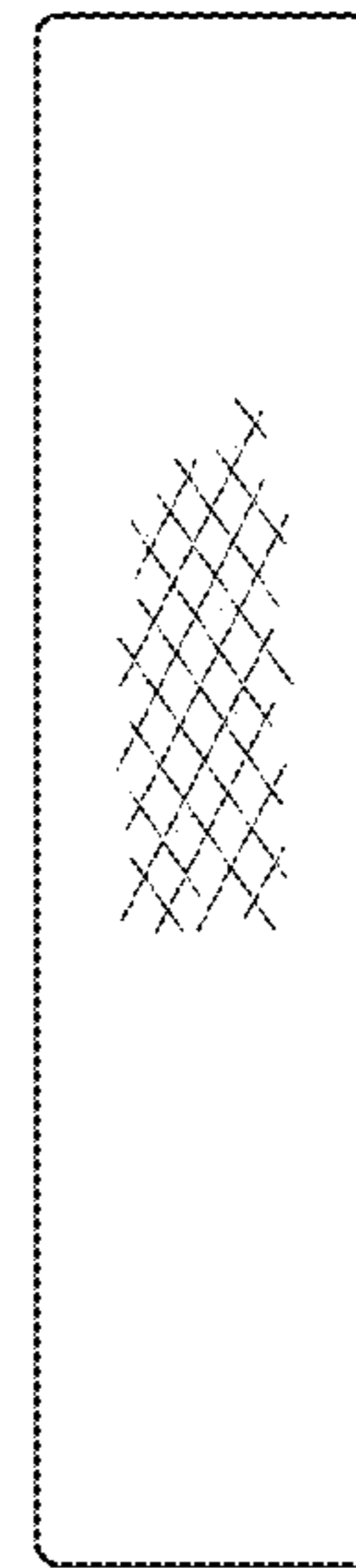


FIG. 24

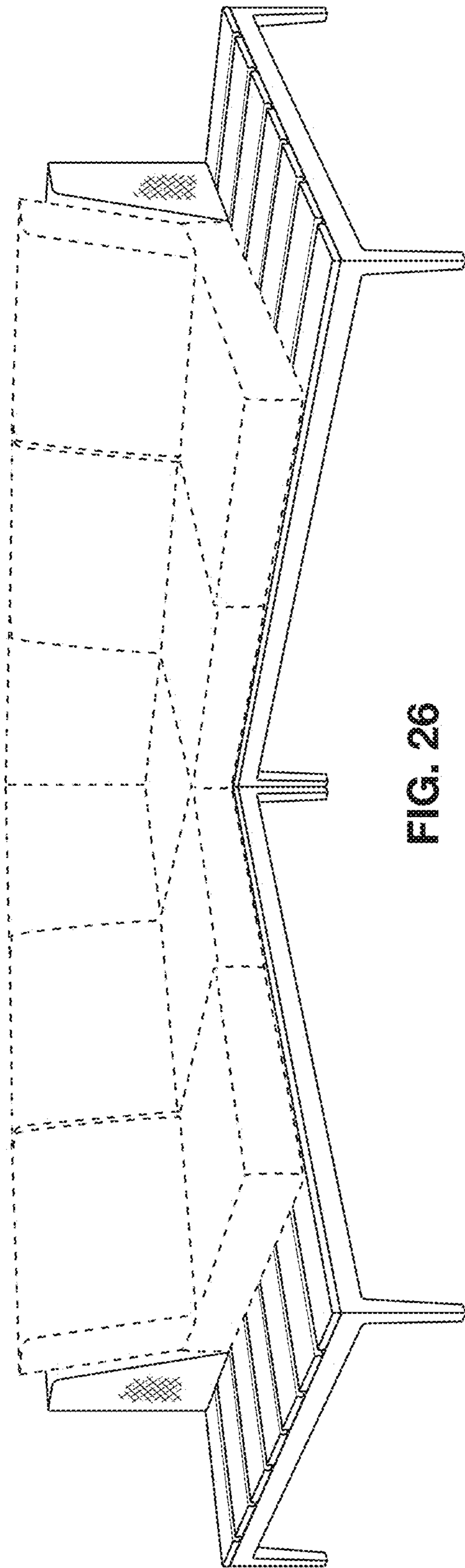


FIG. 26

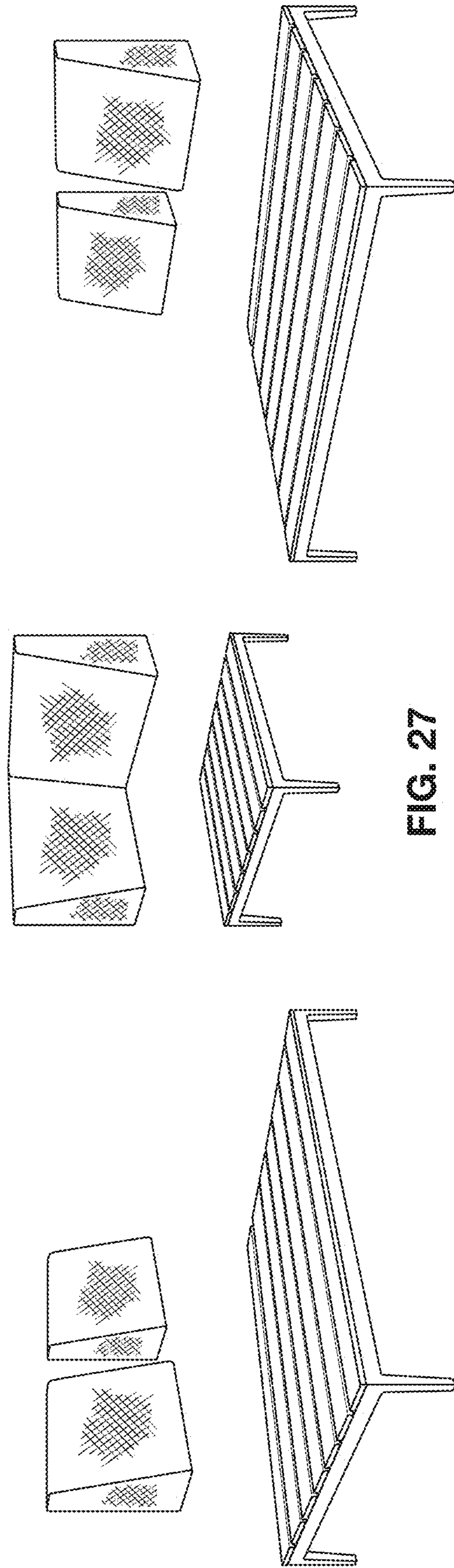


FIG. 27

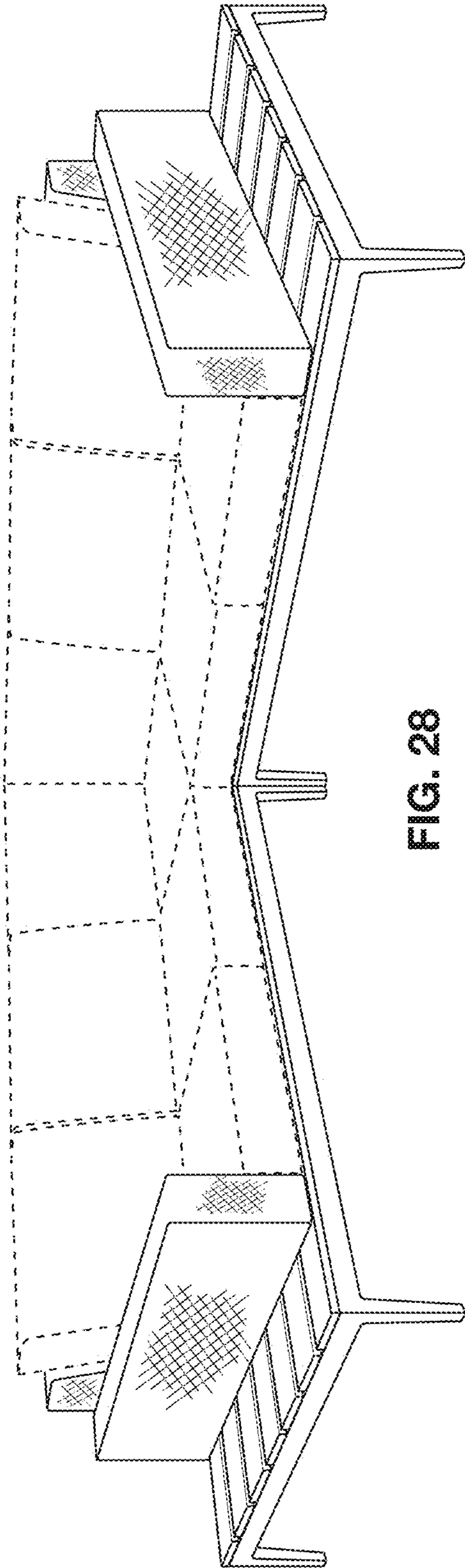


FIG. 28

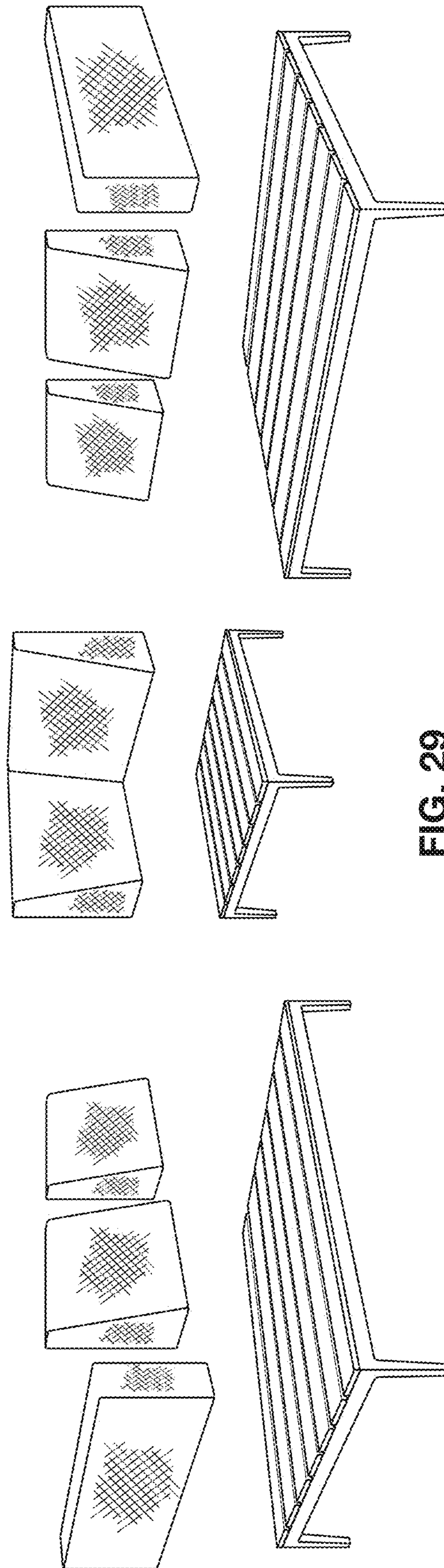


FIG. 29

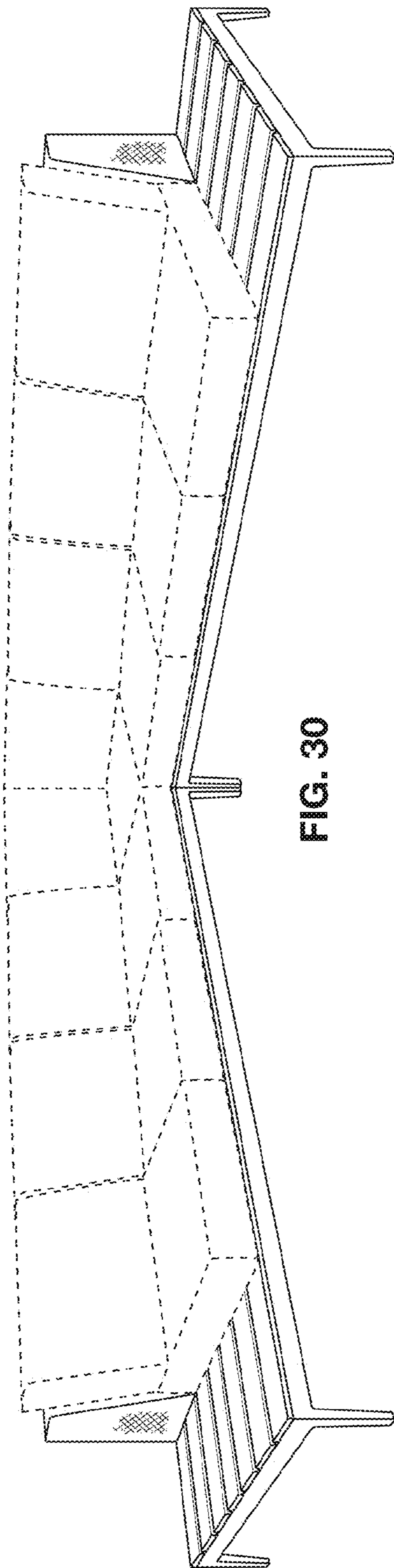


FIG. 30

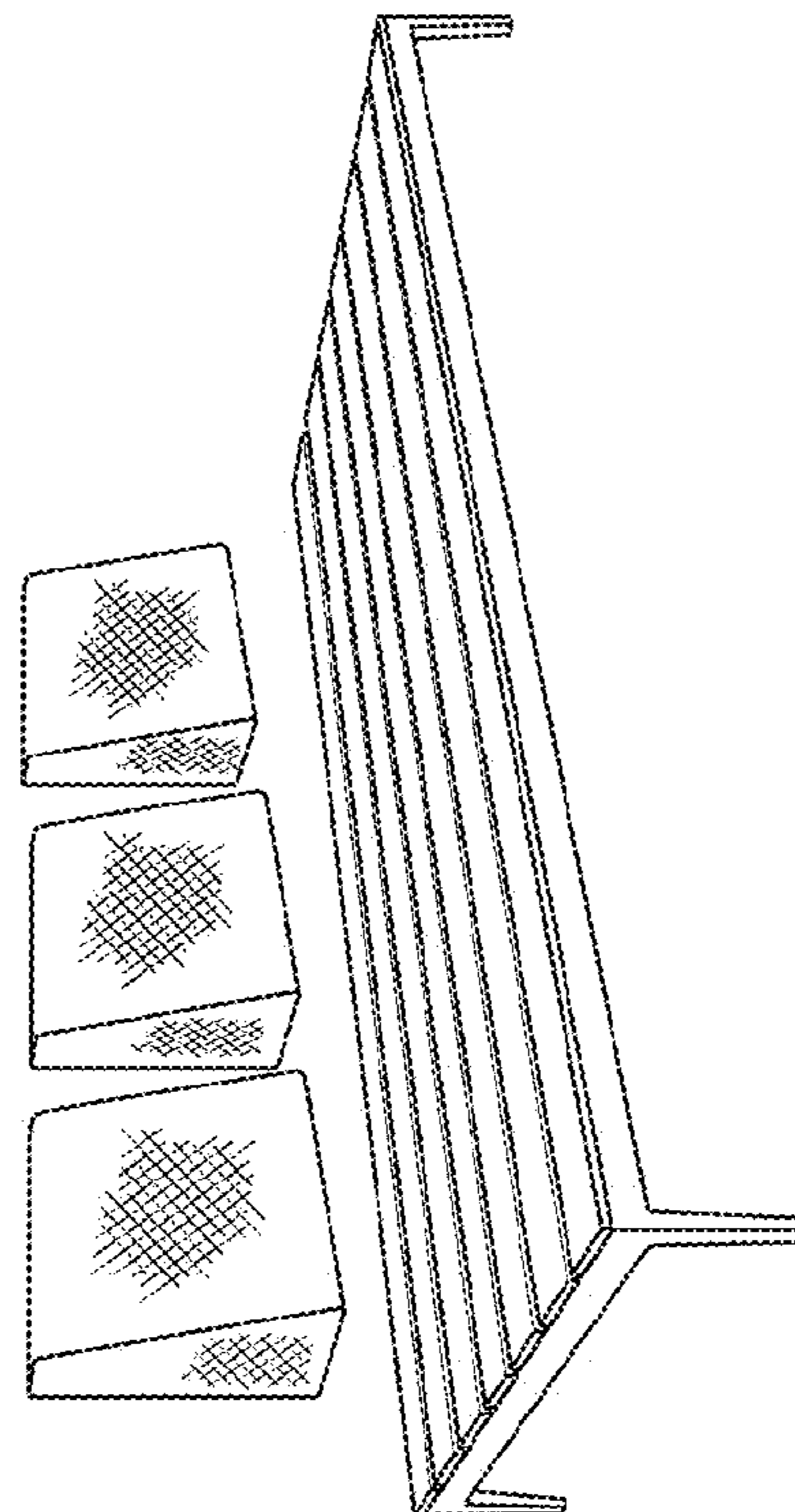
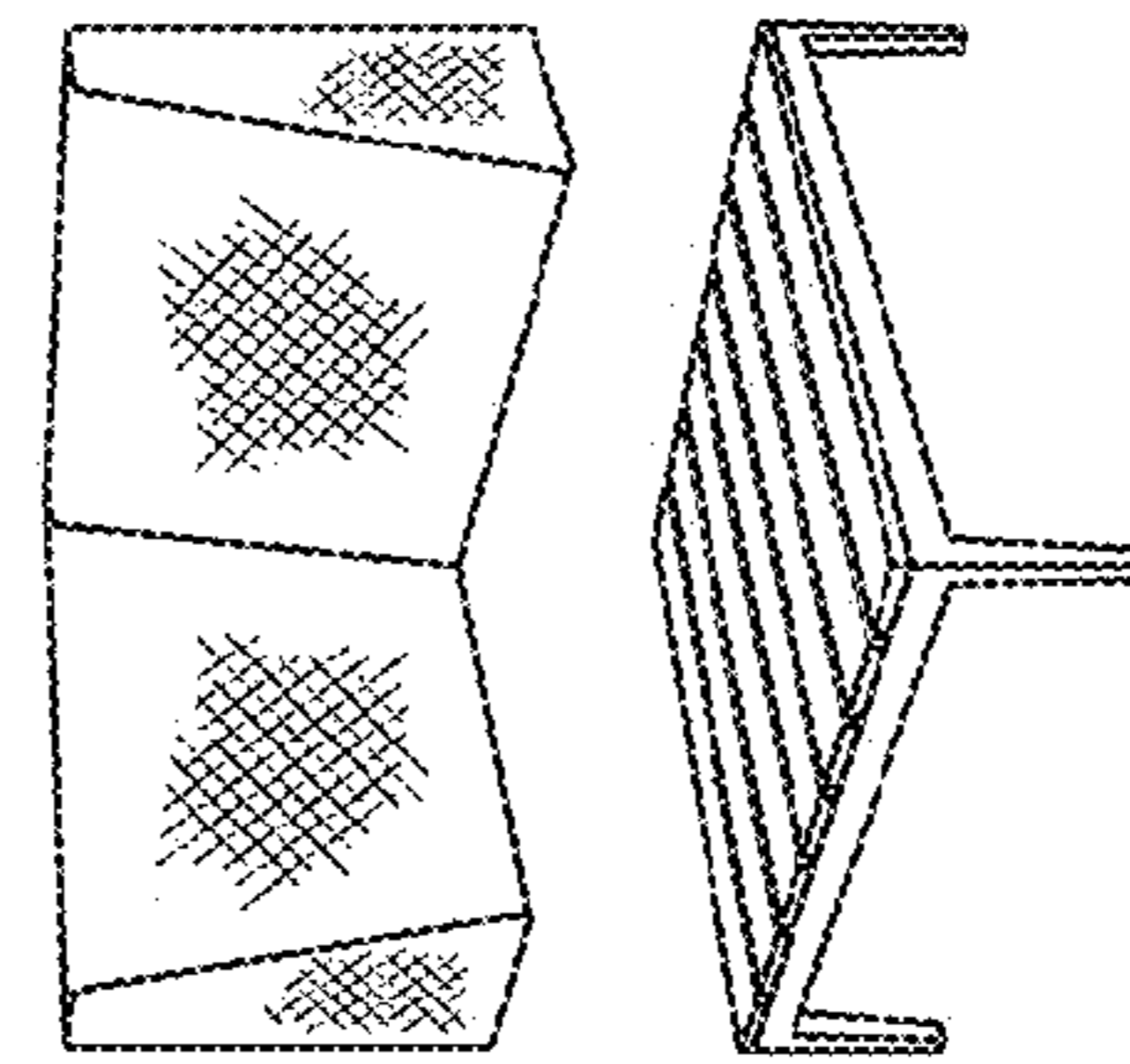
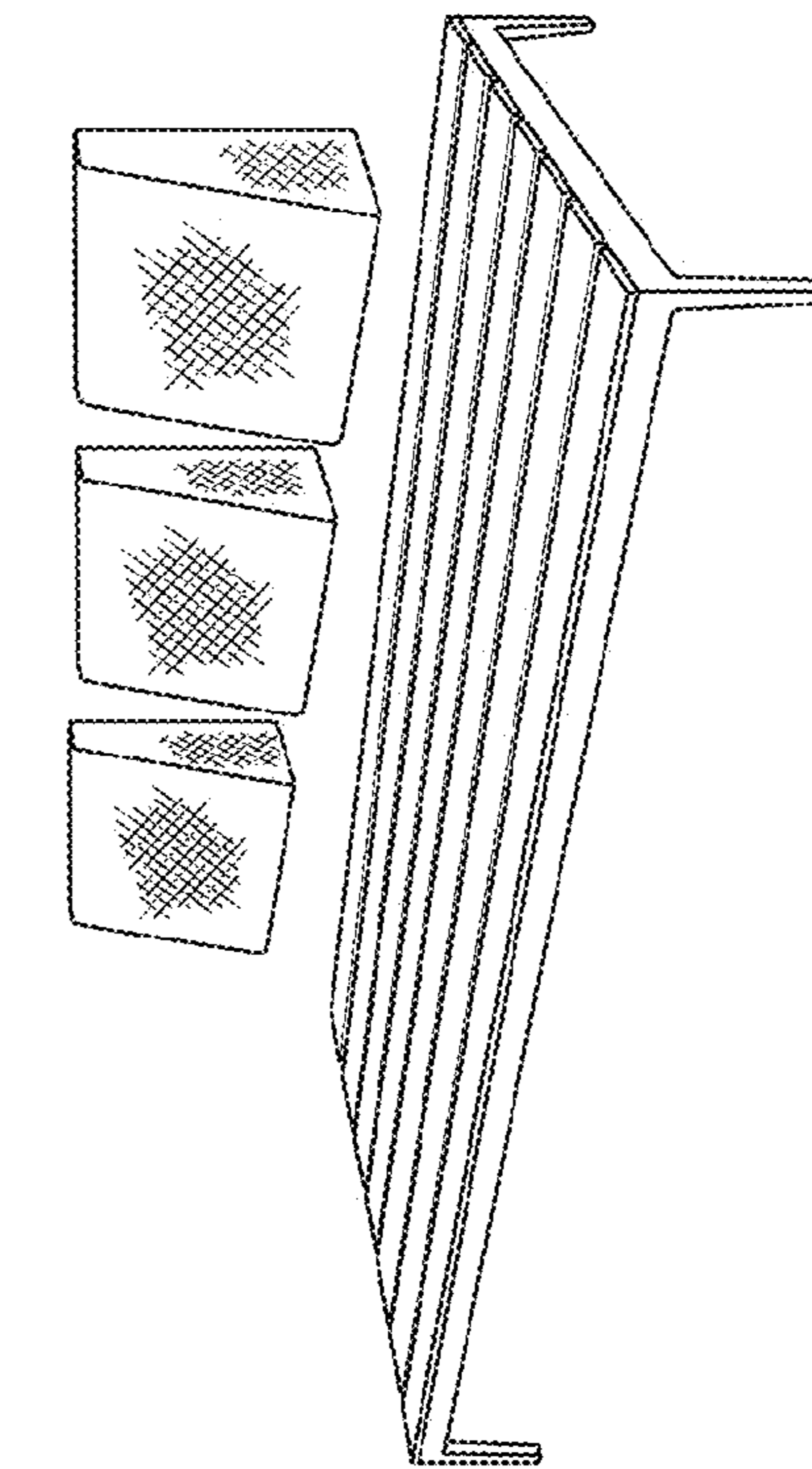


FIG. 31

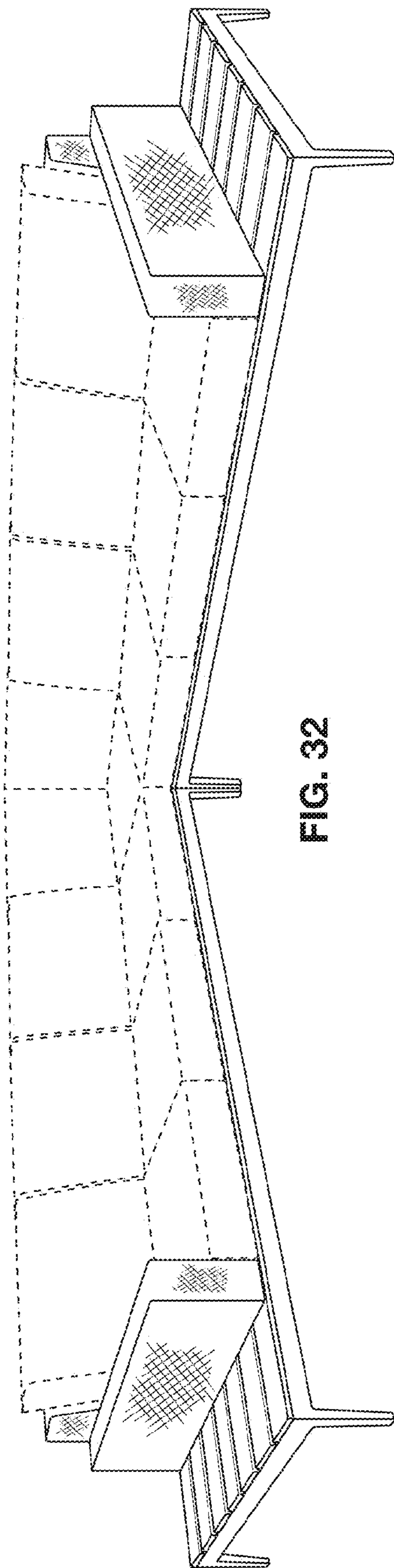


FIG. 32

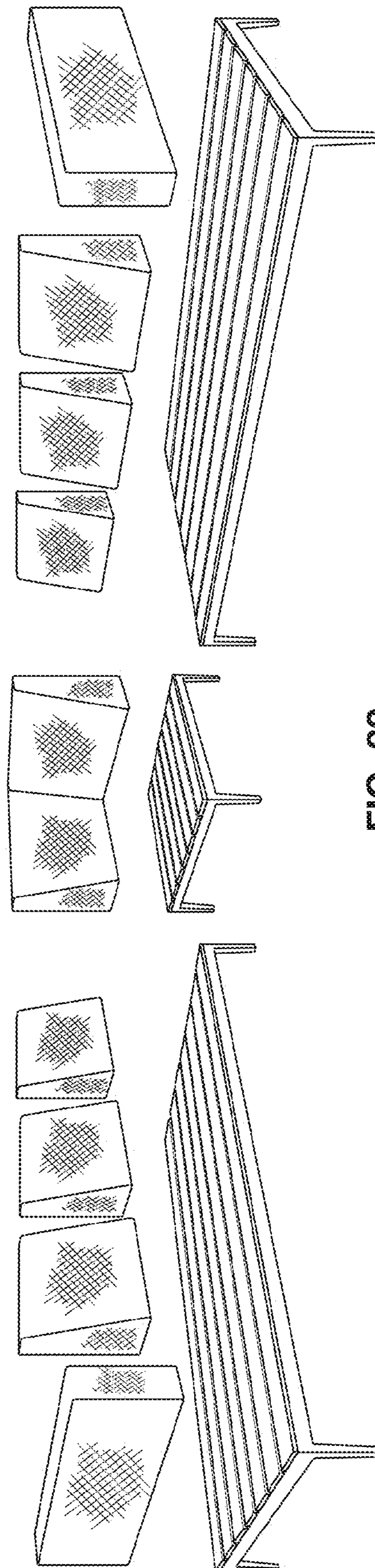


FIG. 33



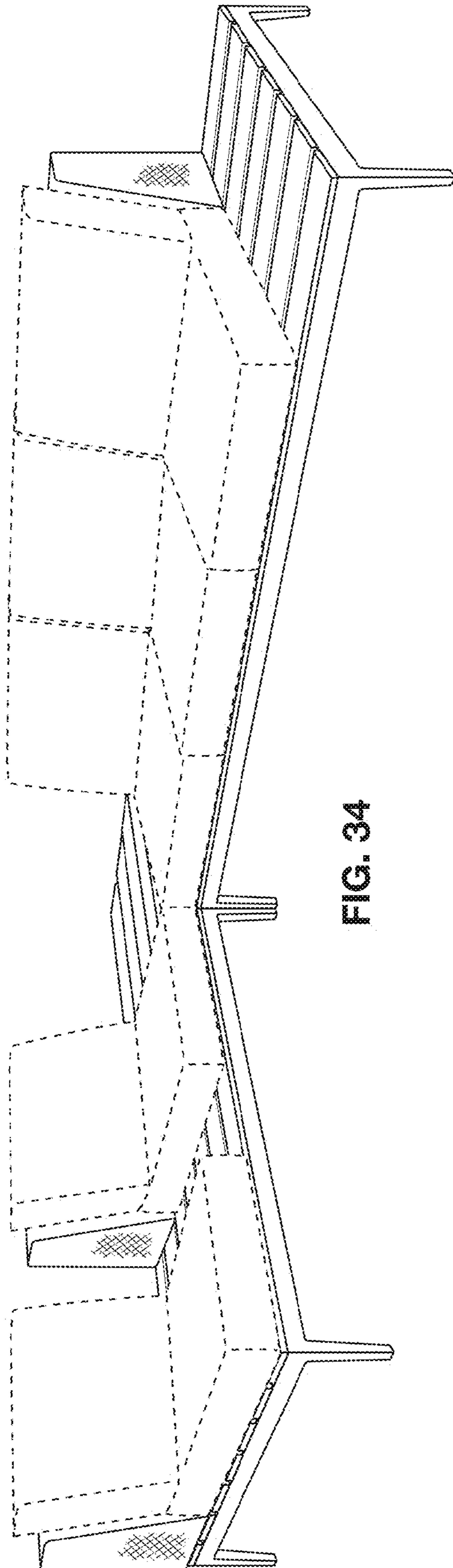


FIG. 34

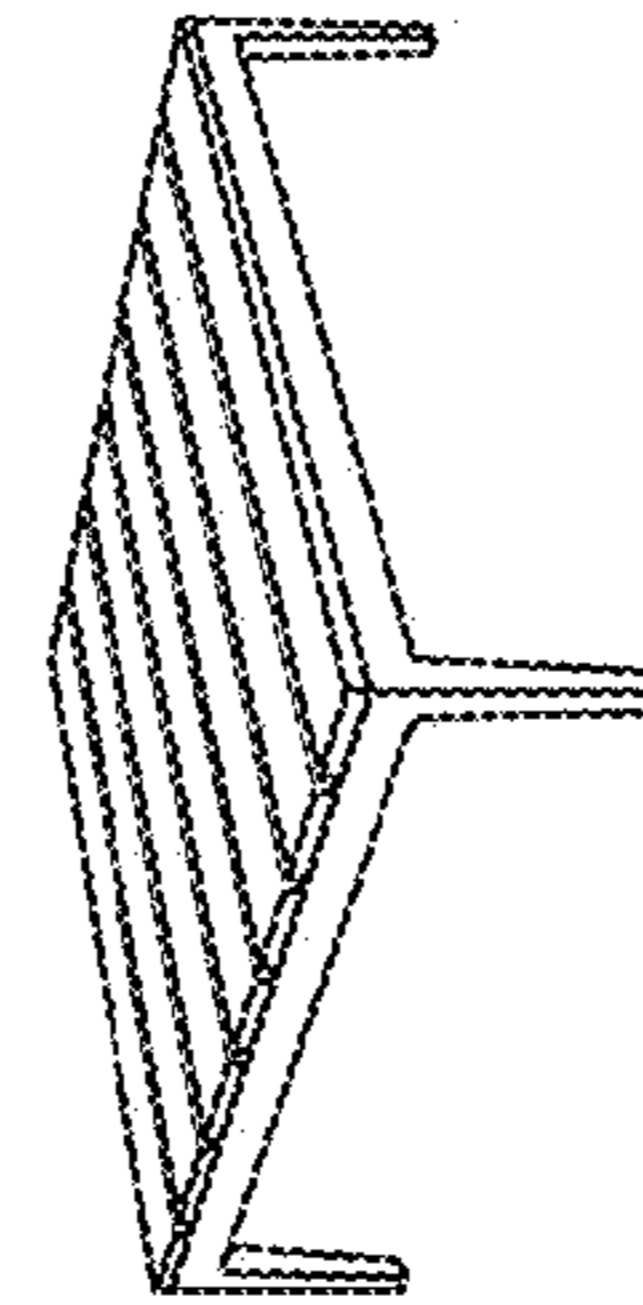
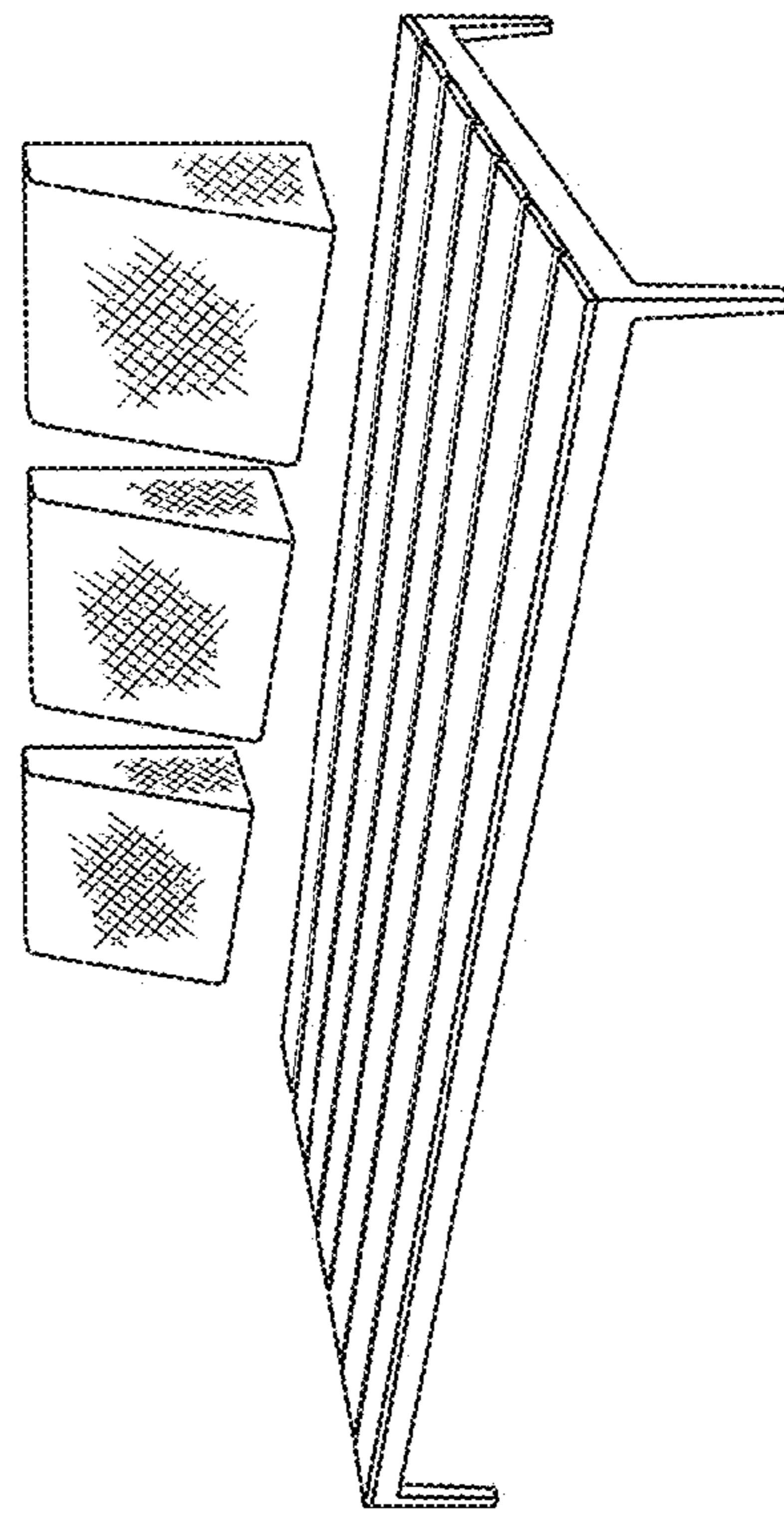
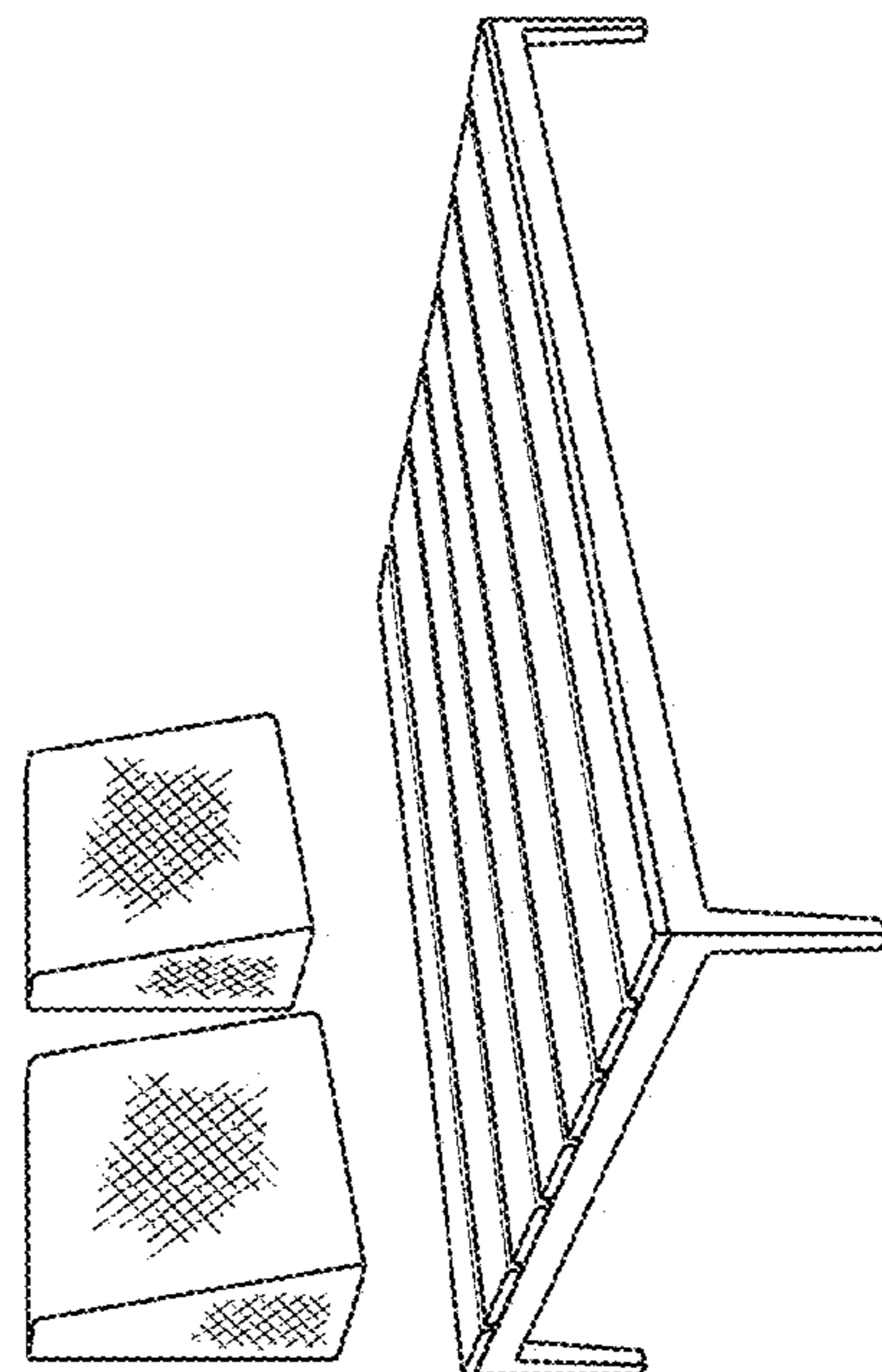


FIG. 35



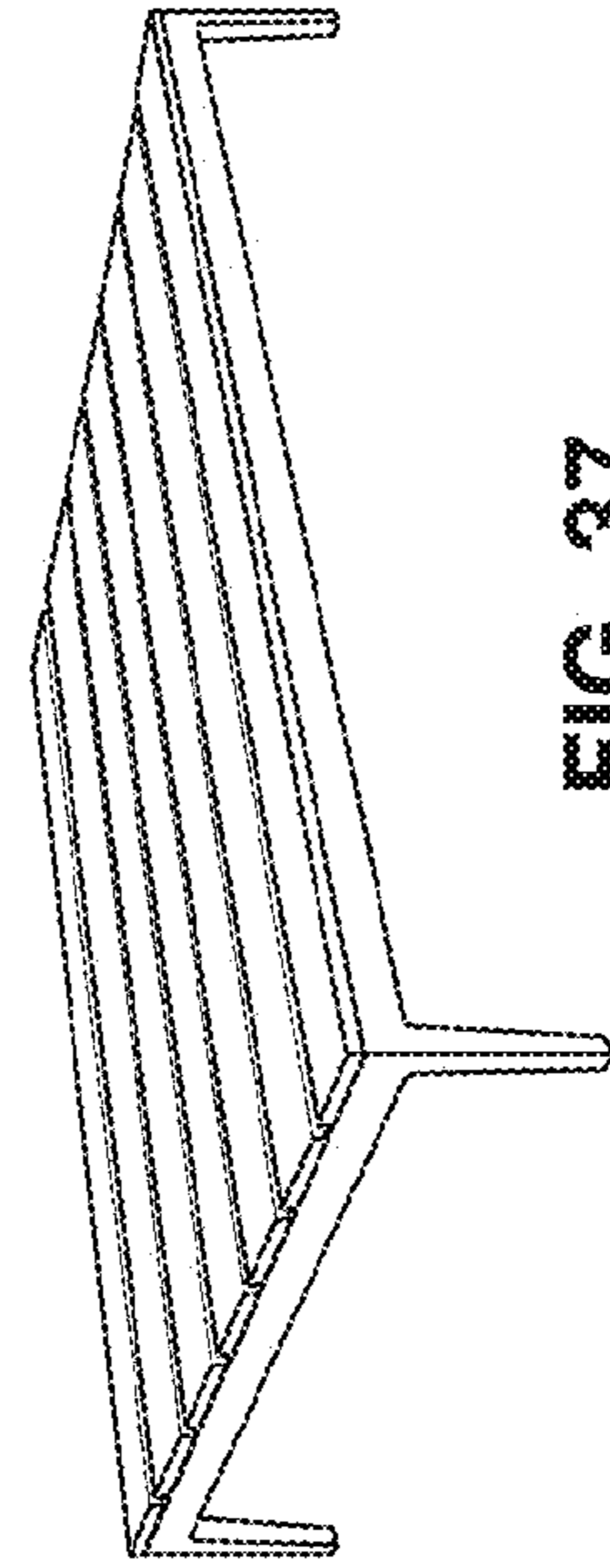
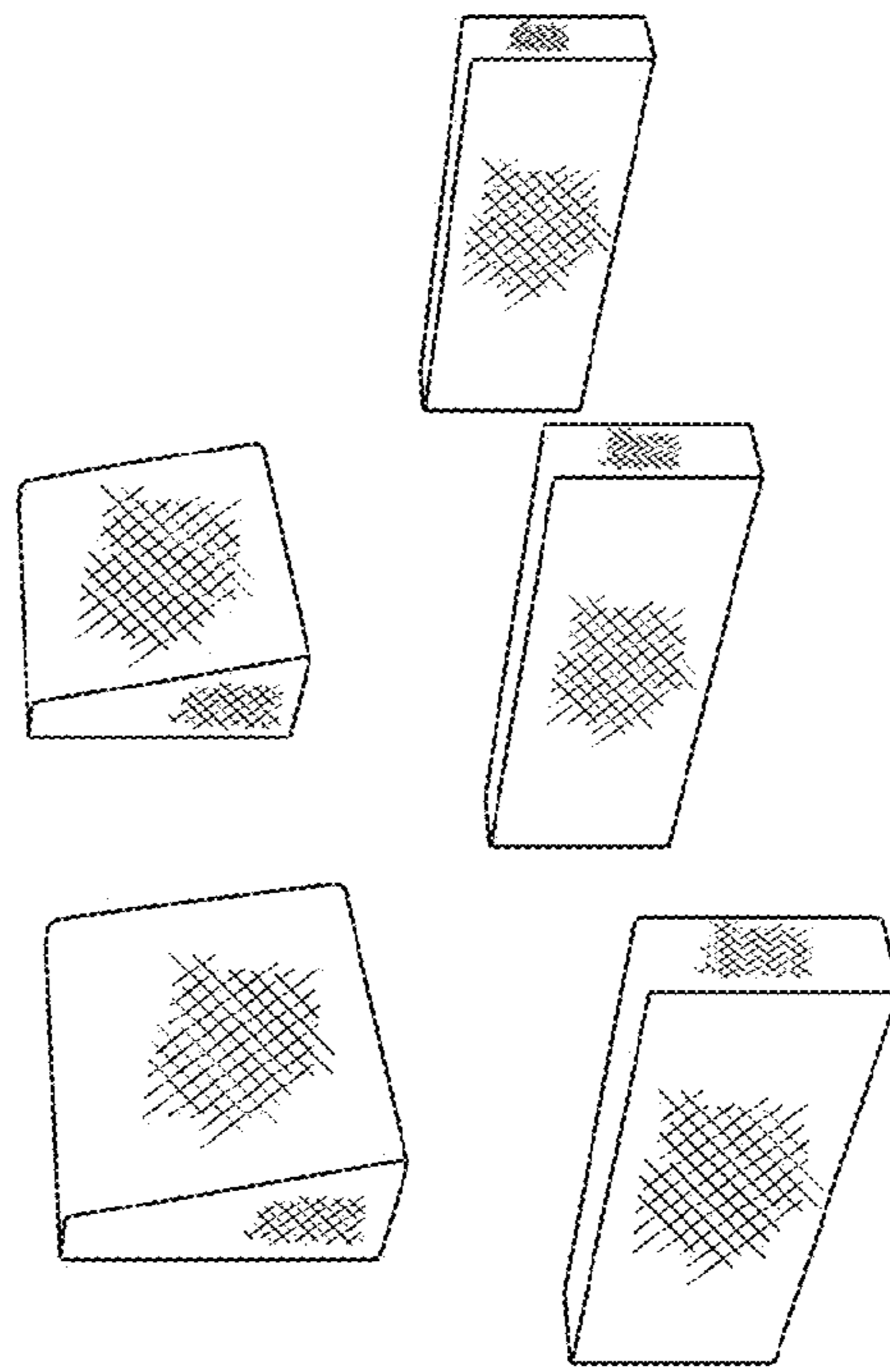


FIG. 37

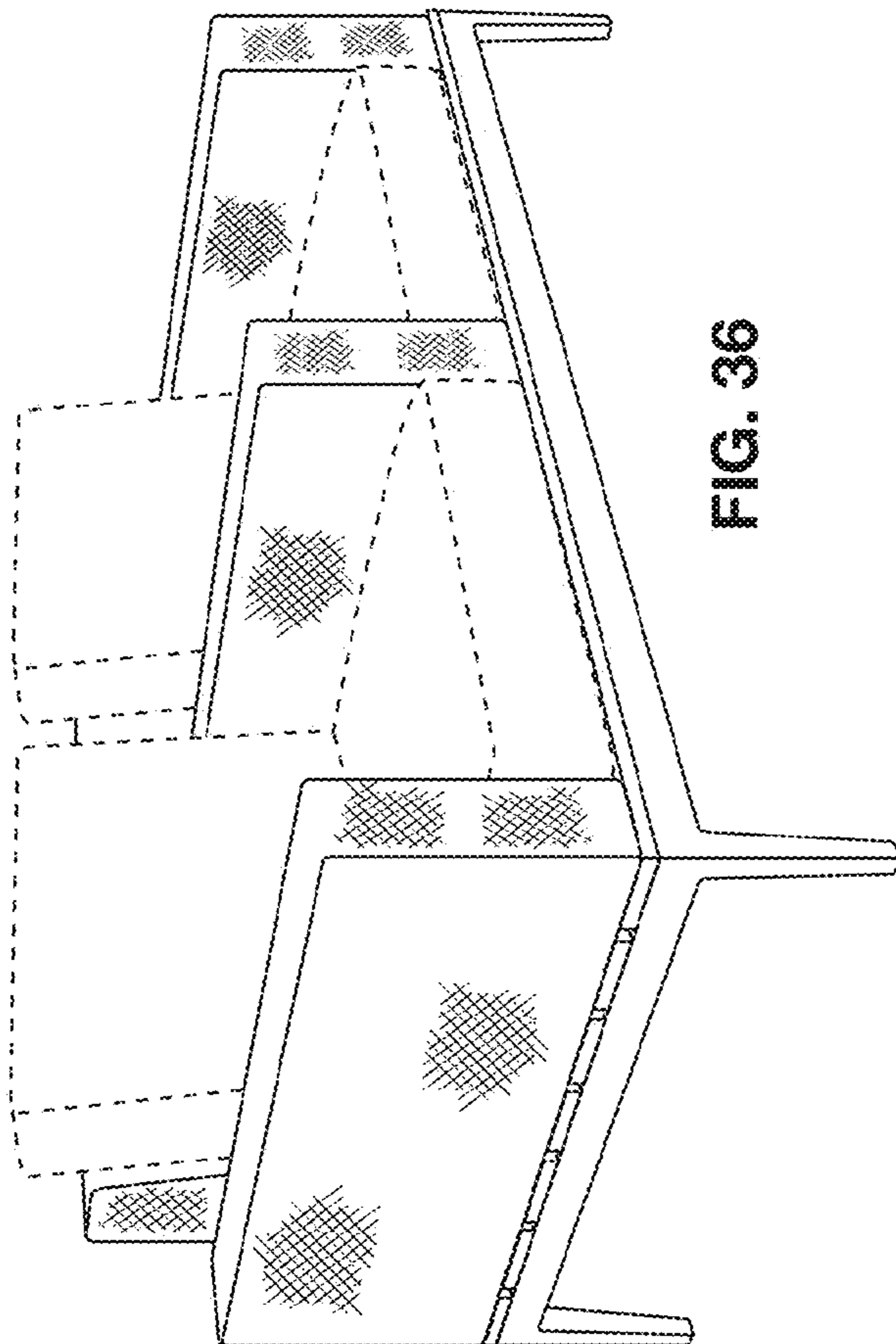


FIG. 36

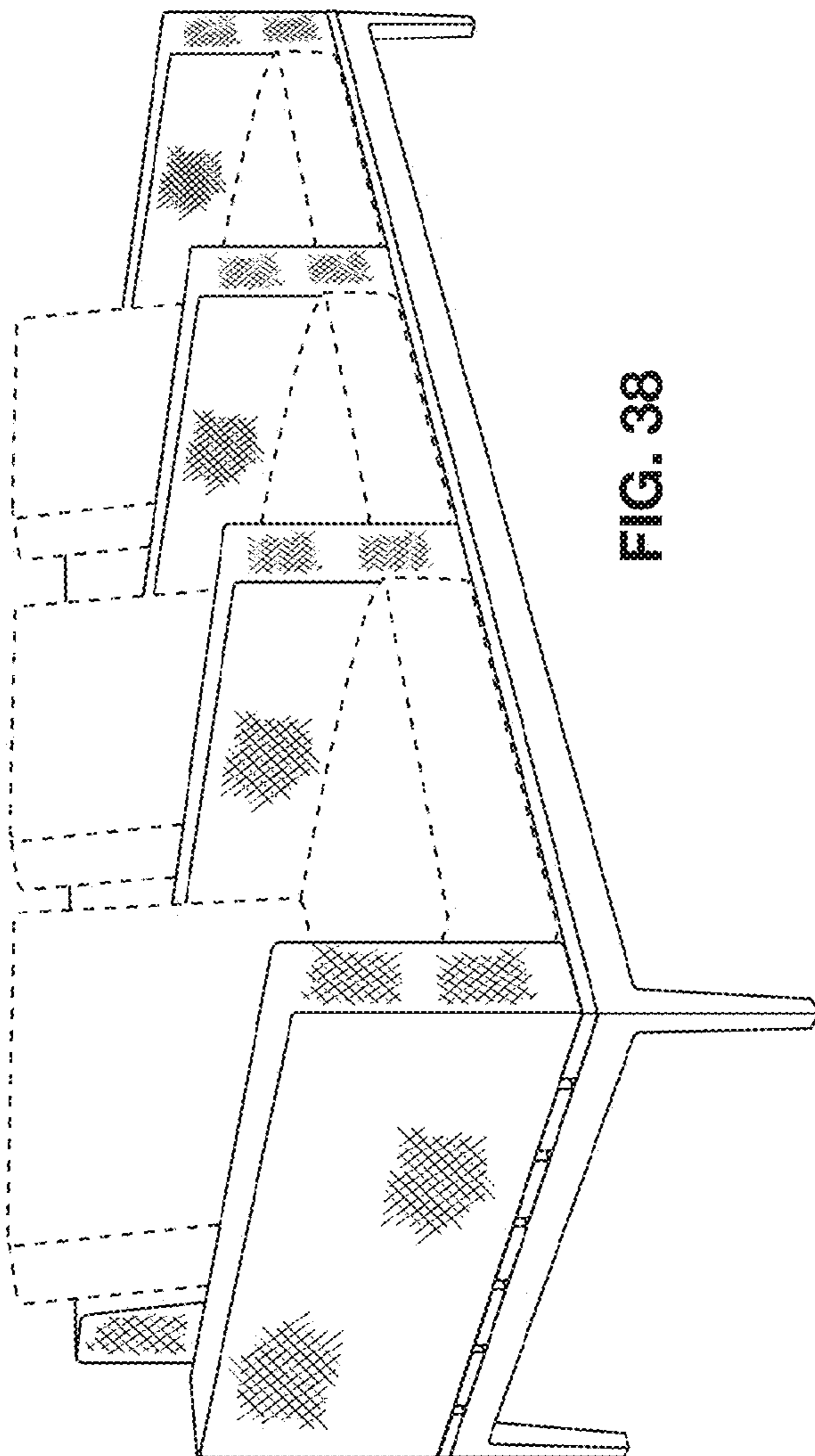


FIG. 38

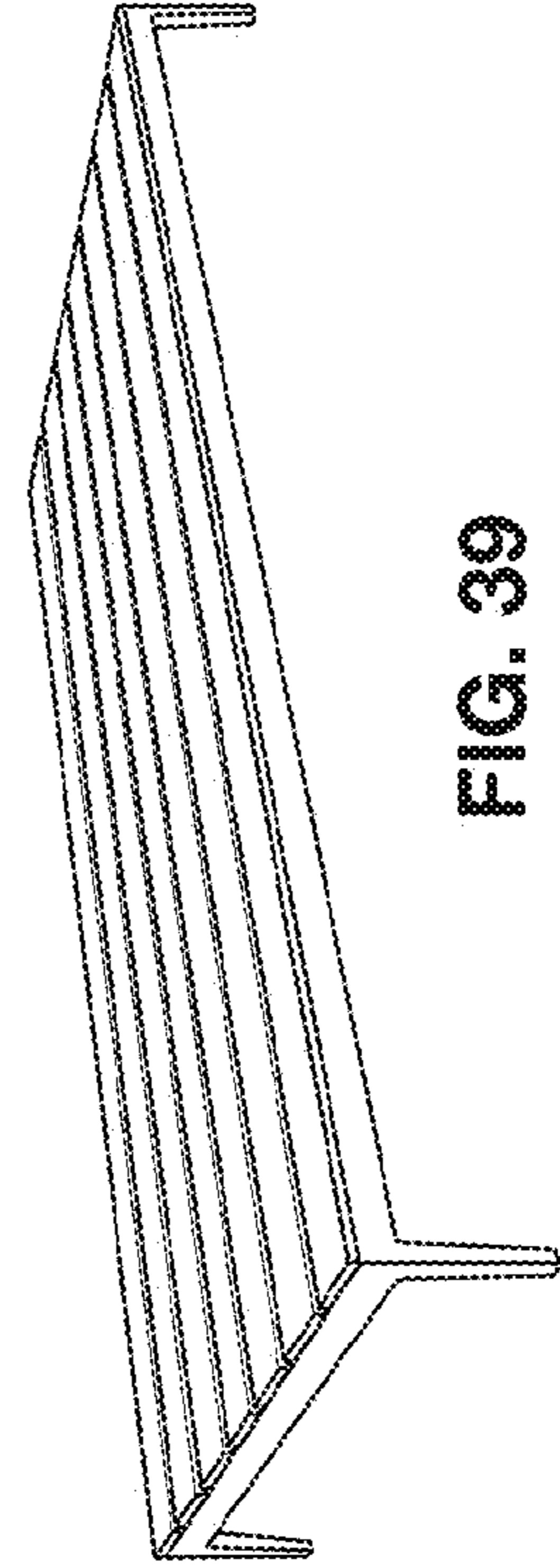
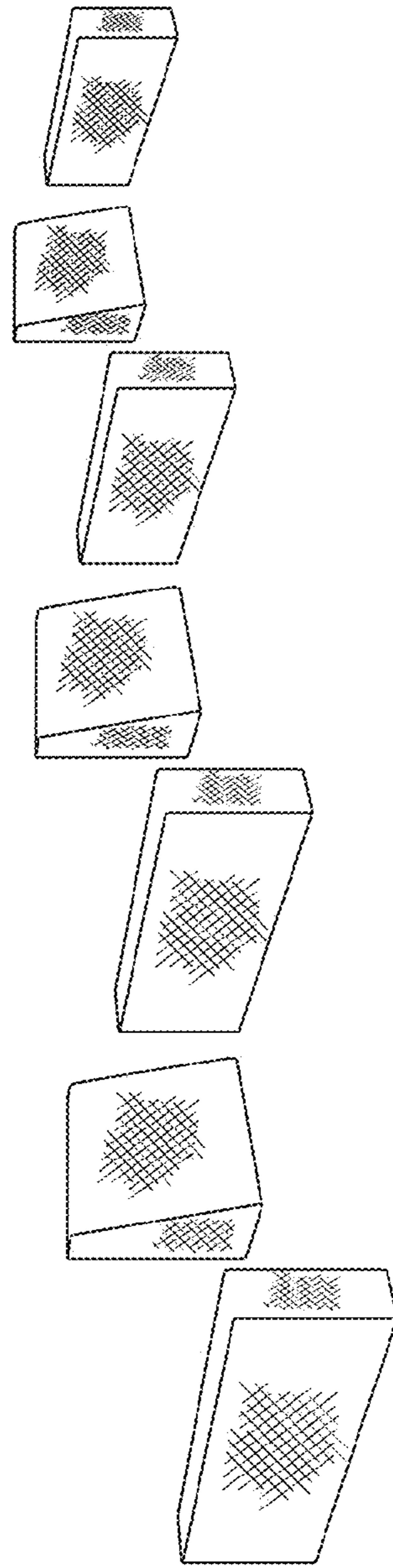


FIG. 39

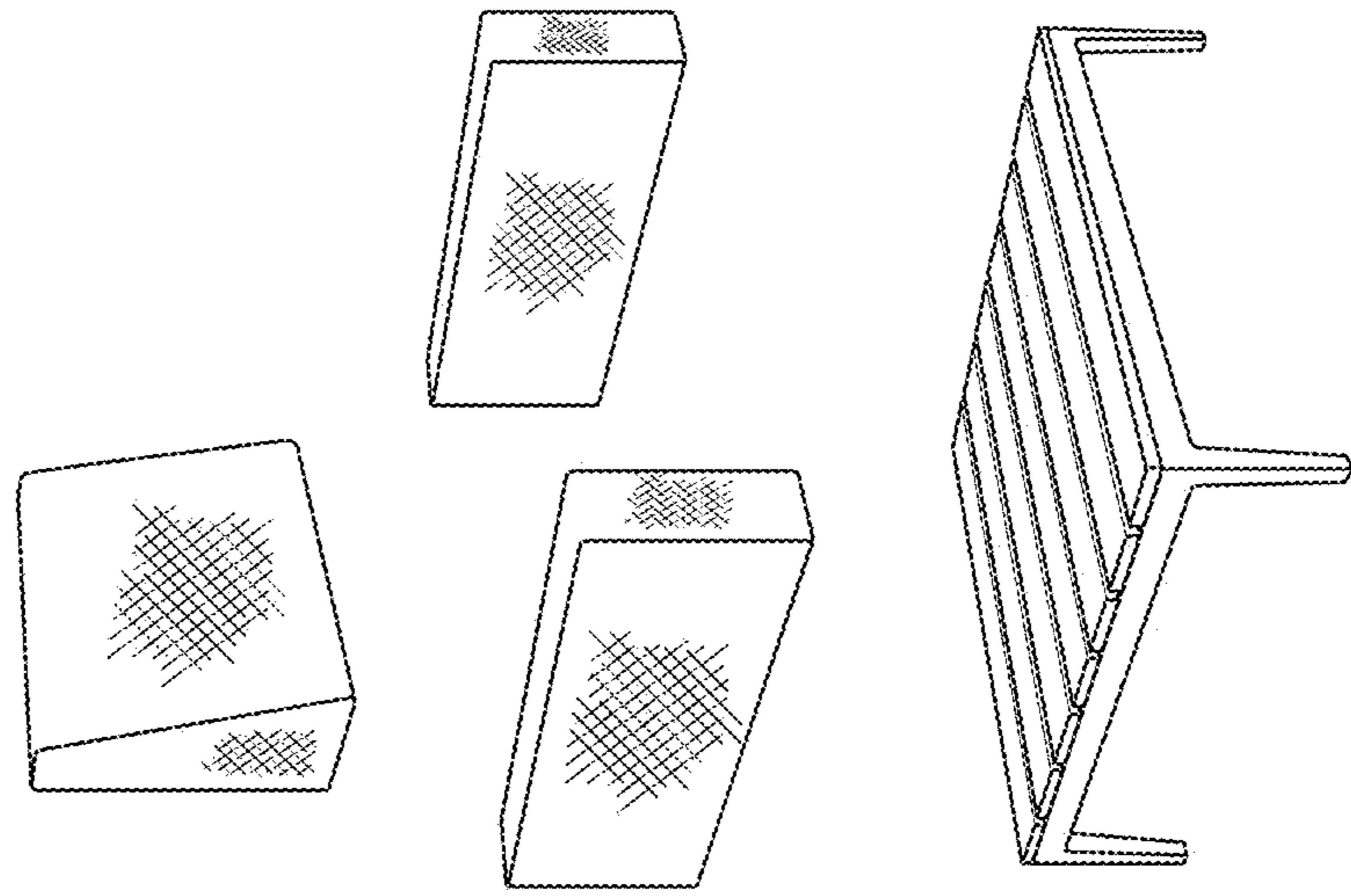


FIG. 41

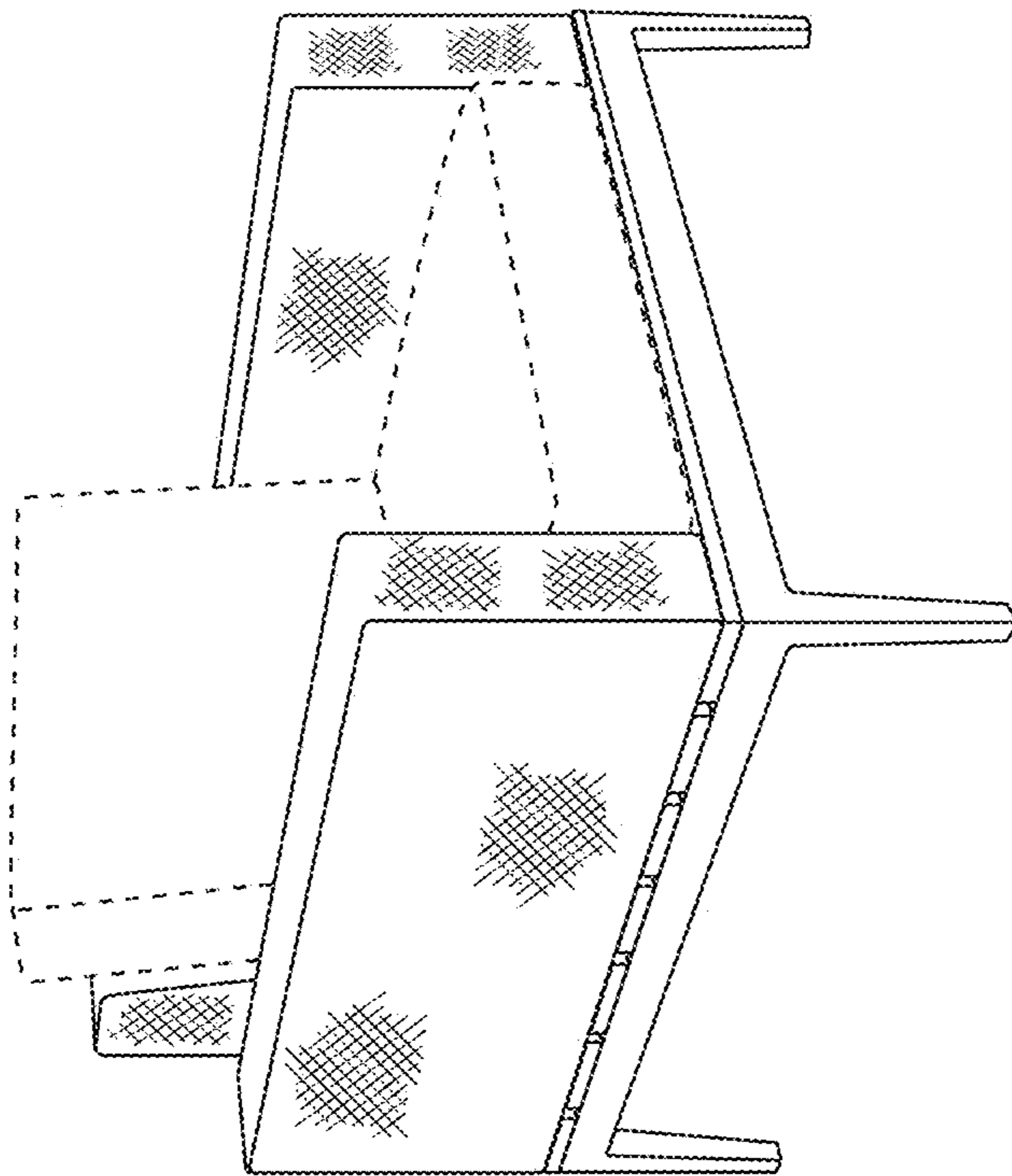


FIG. 40

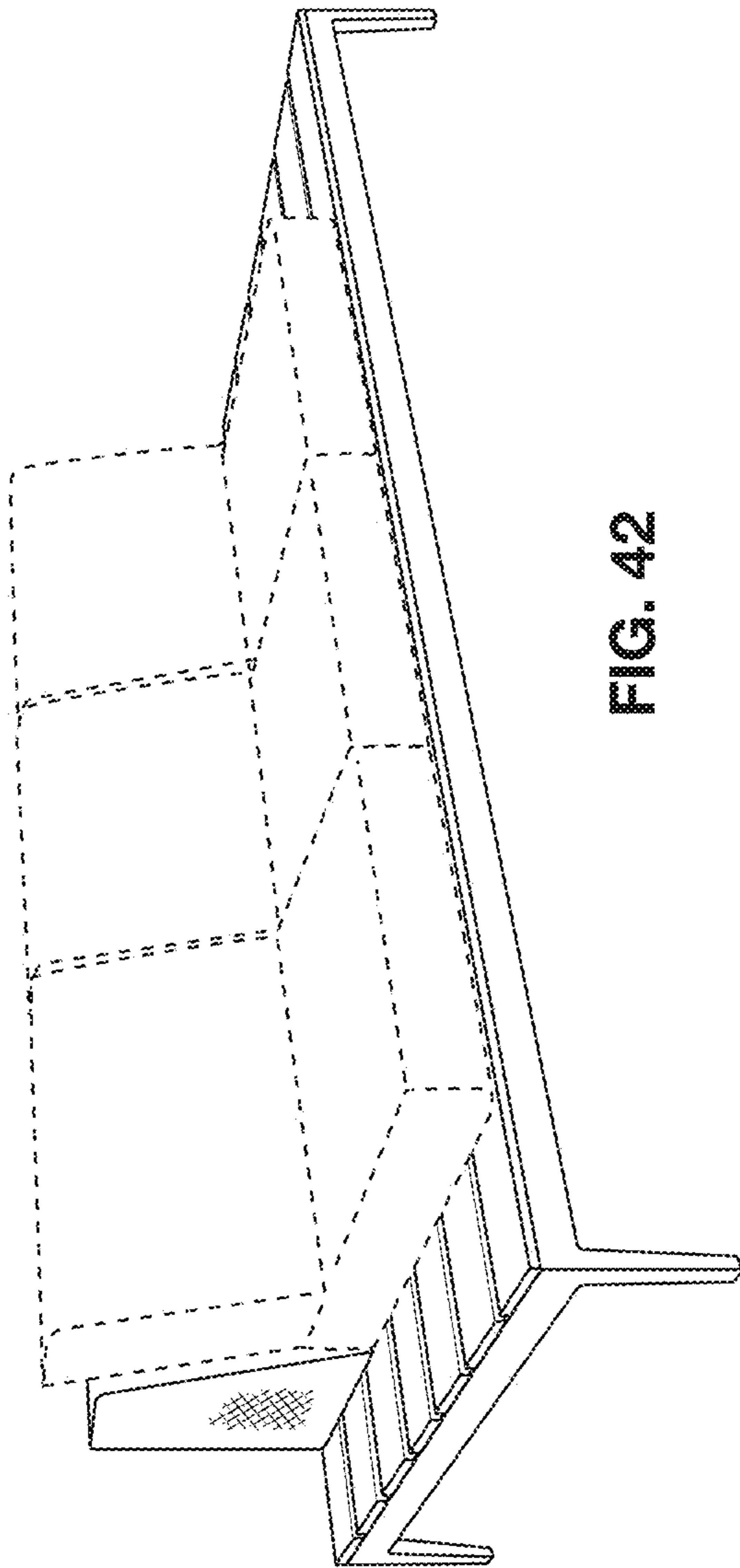


FIG. 42

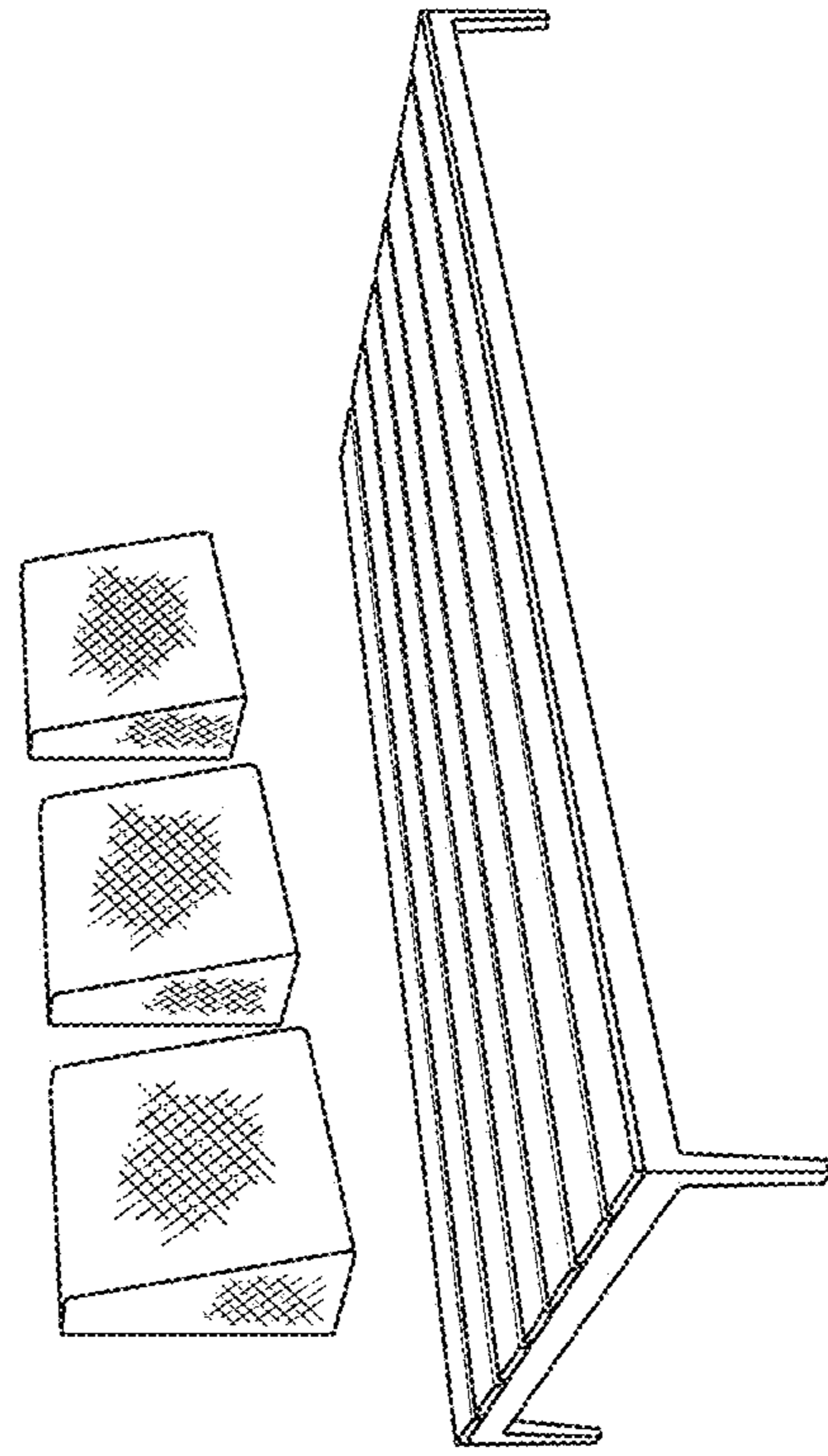


FIG. 43

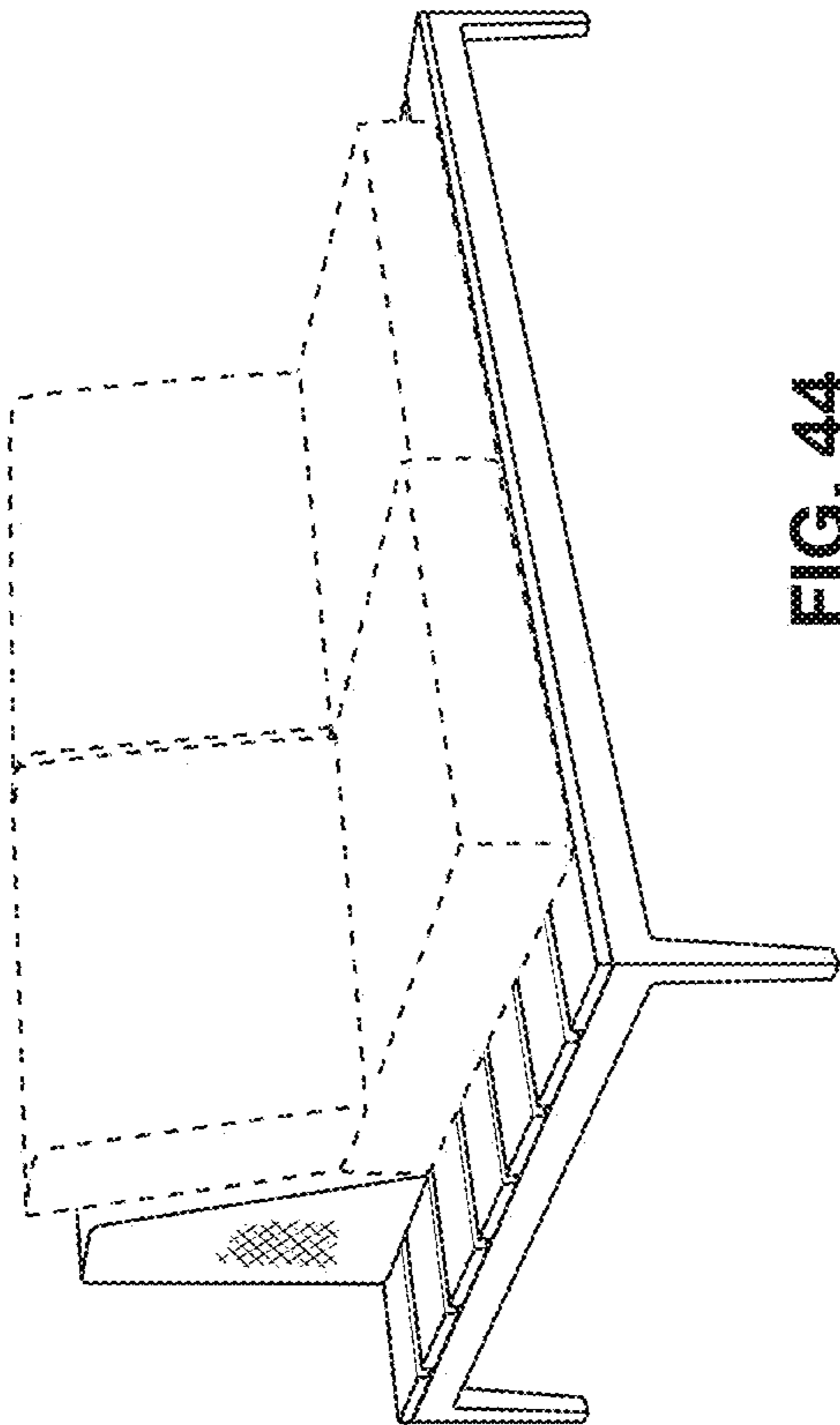


FIG. 44

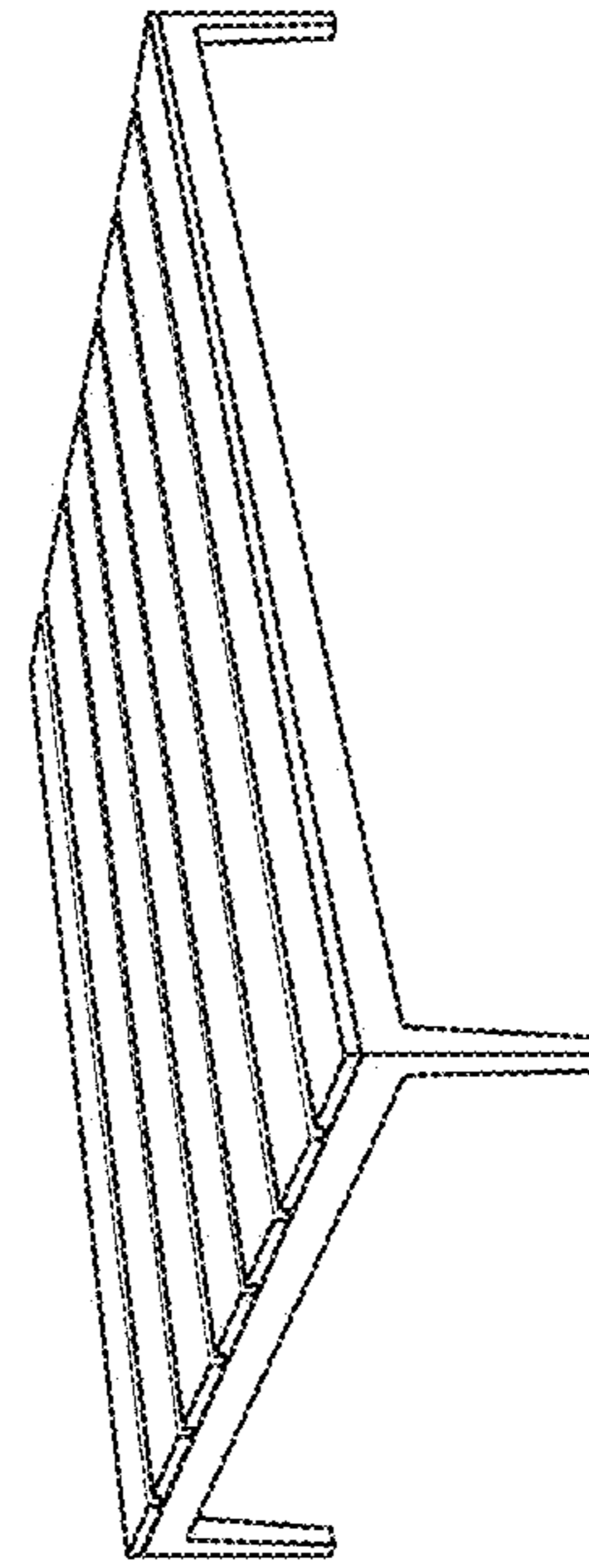
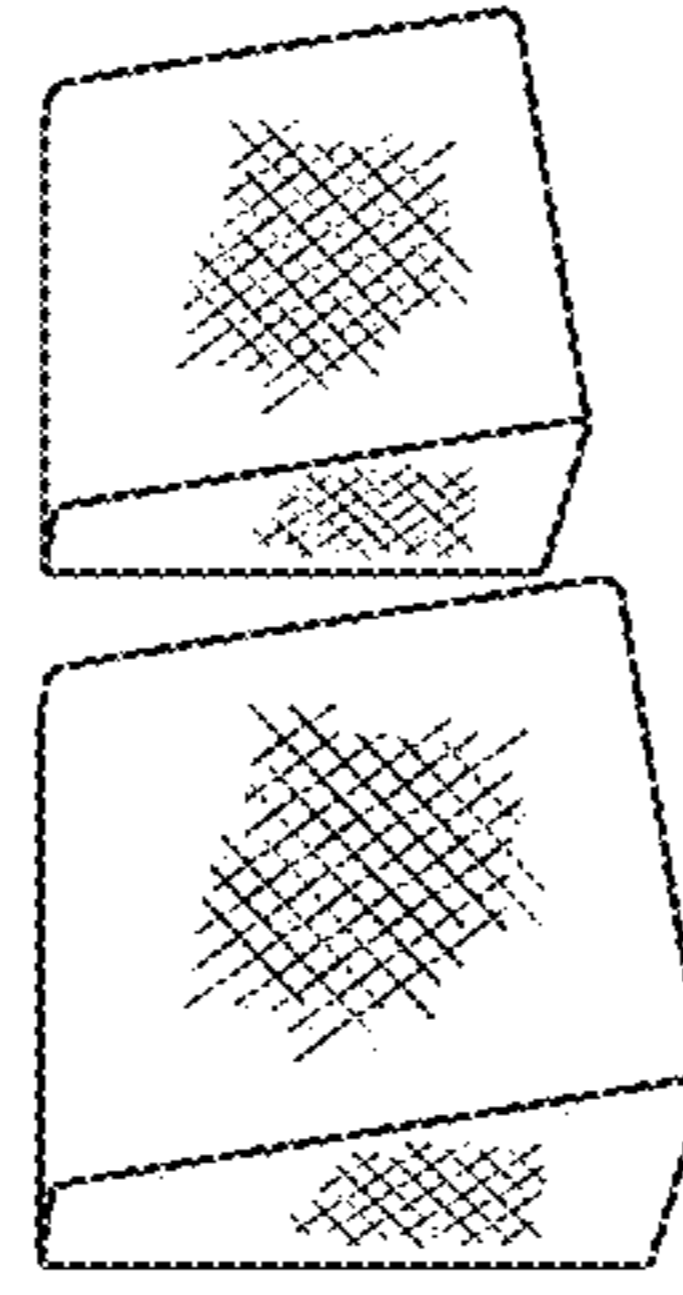


FIG. 45

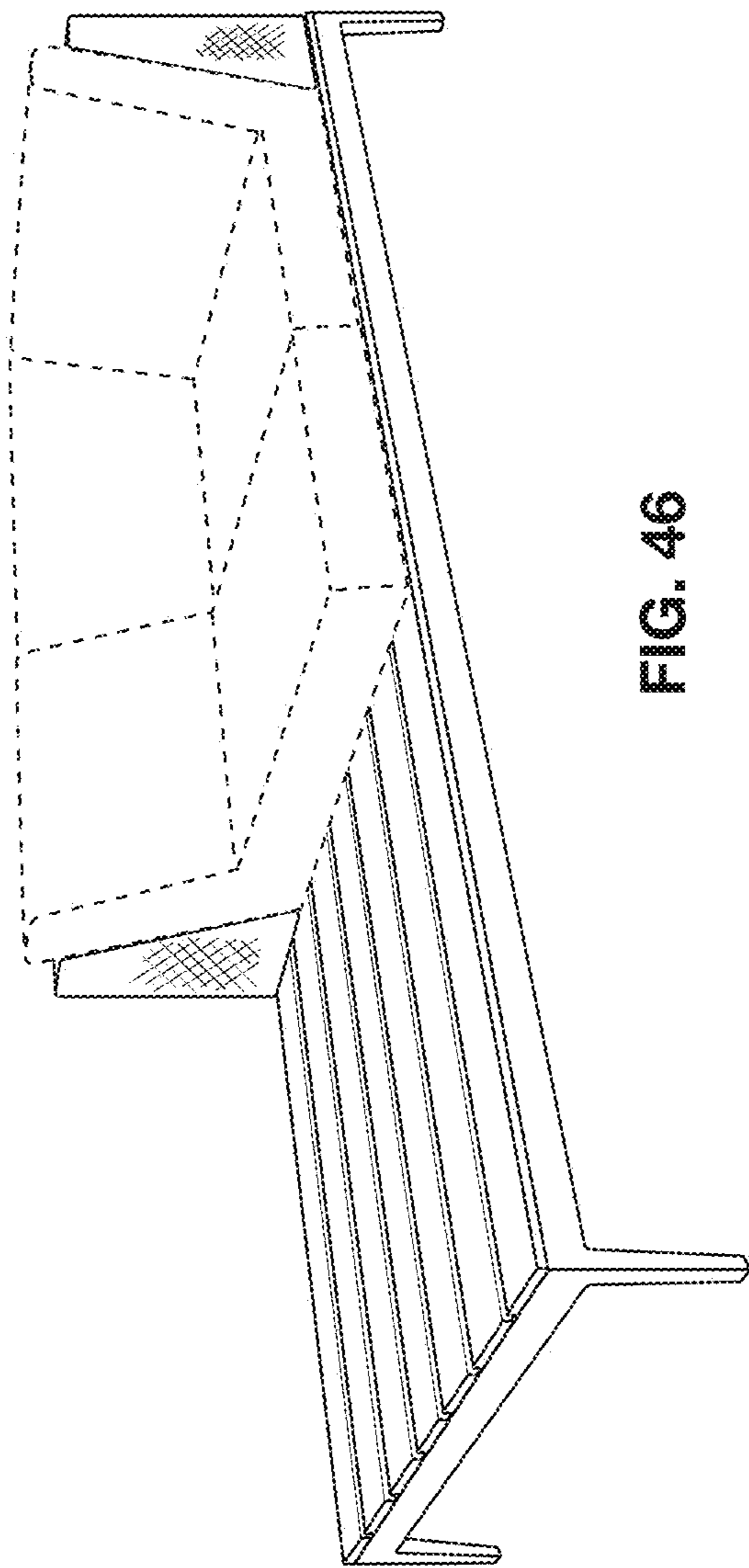


FIG. 46

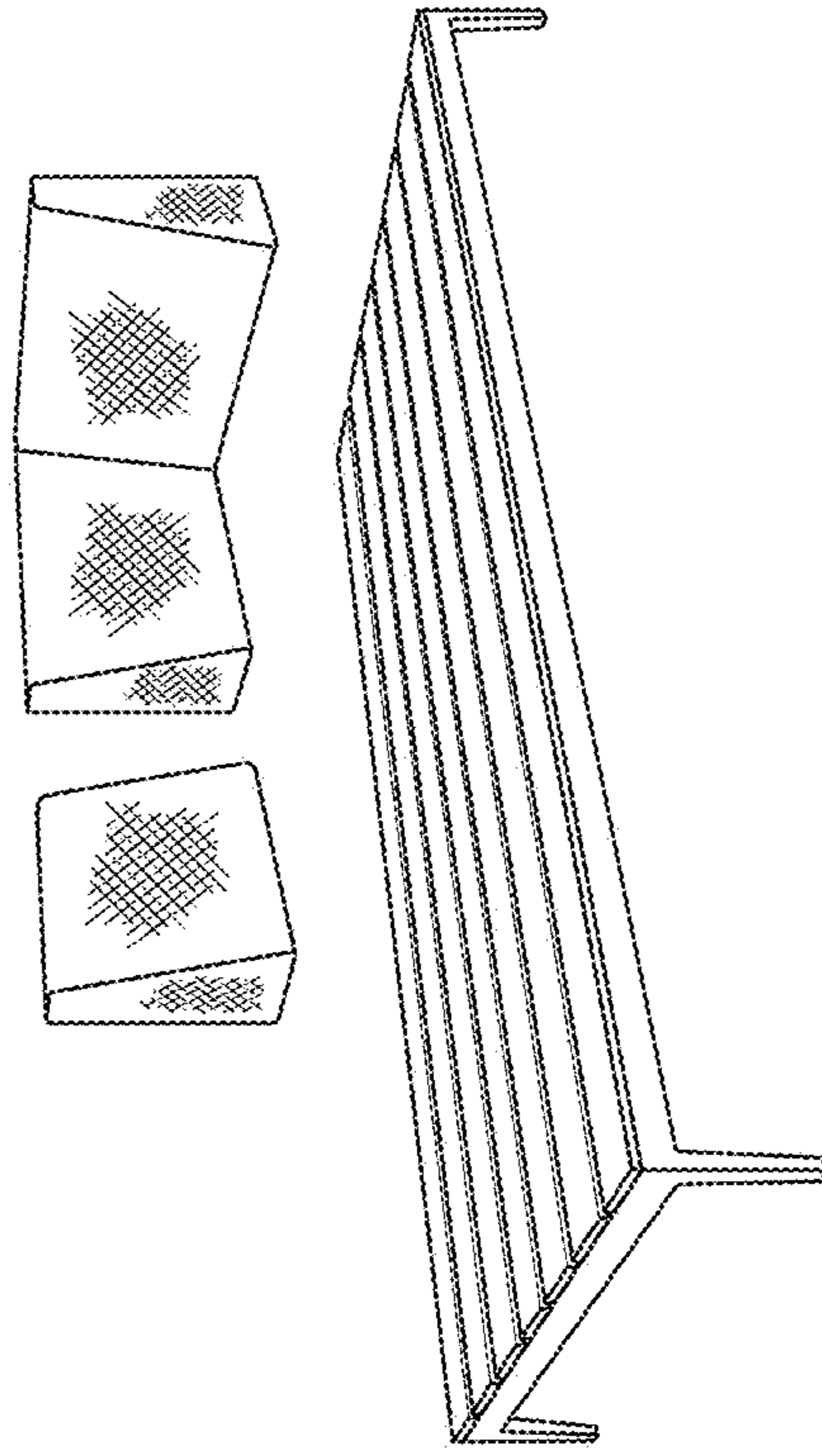


FIG. 47

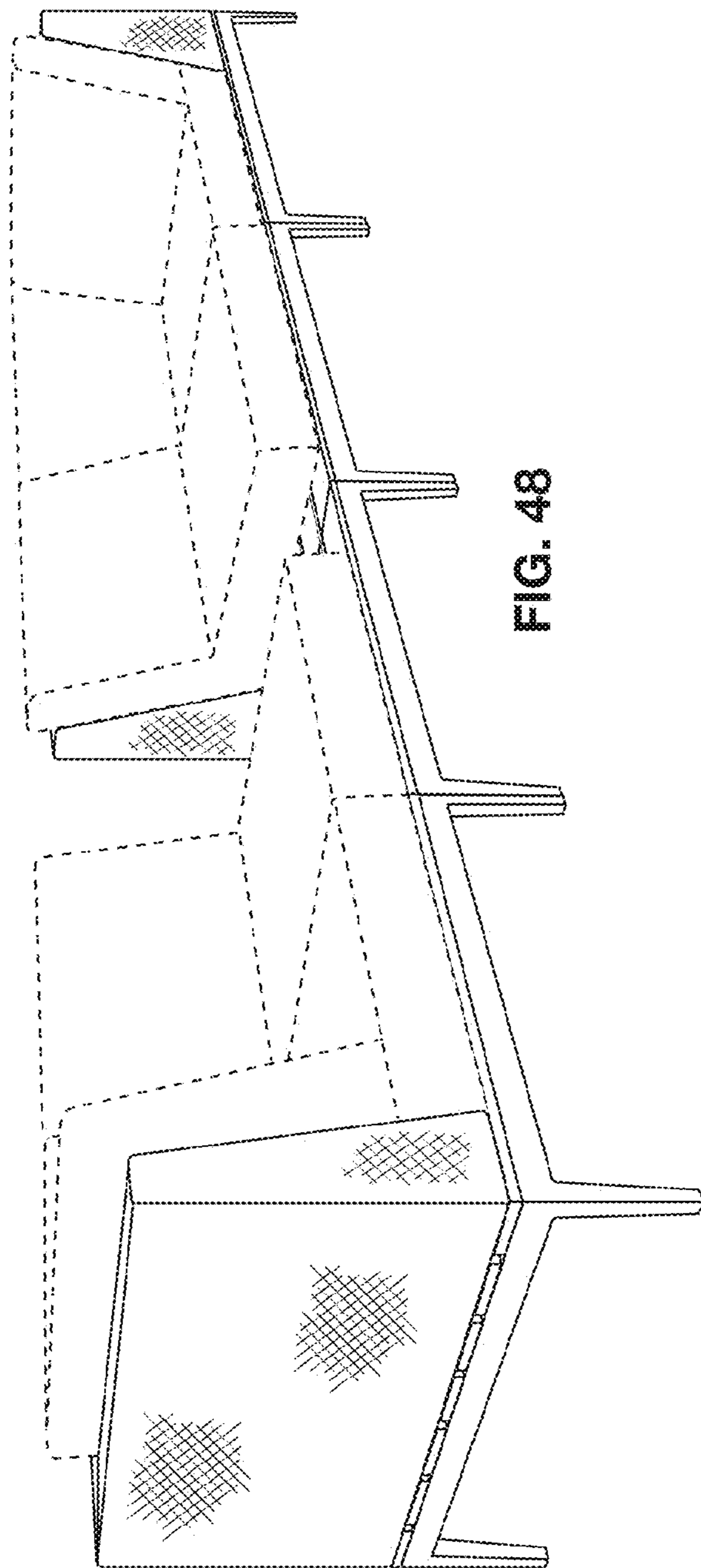


FIG. 48

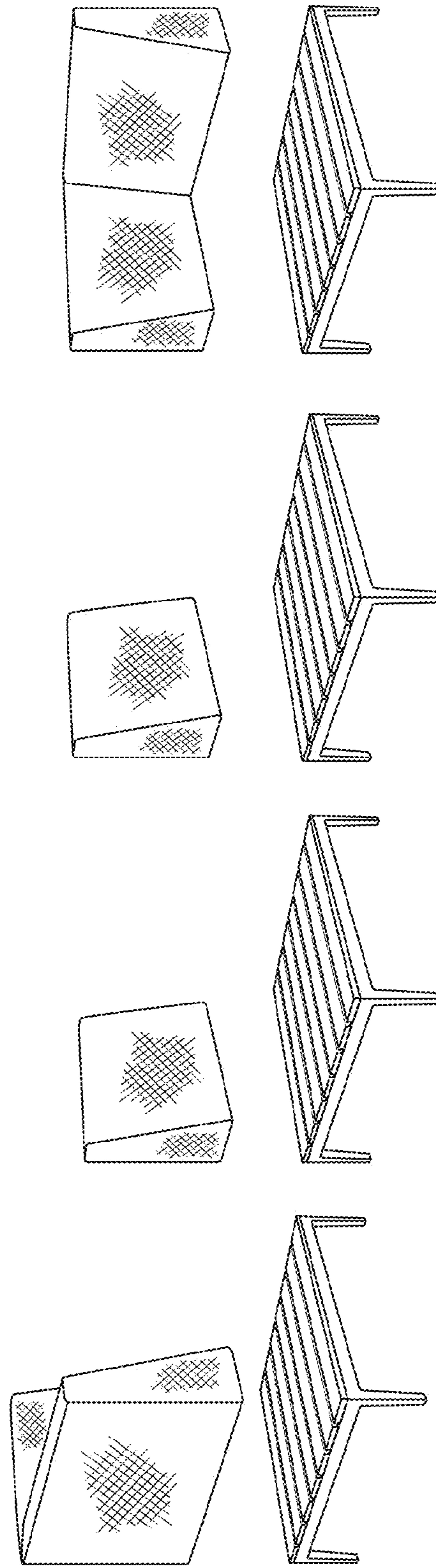


FIG. 49



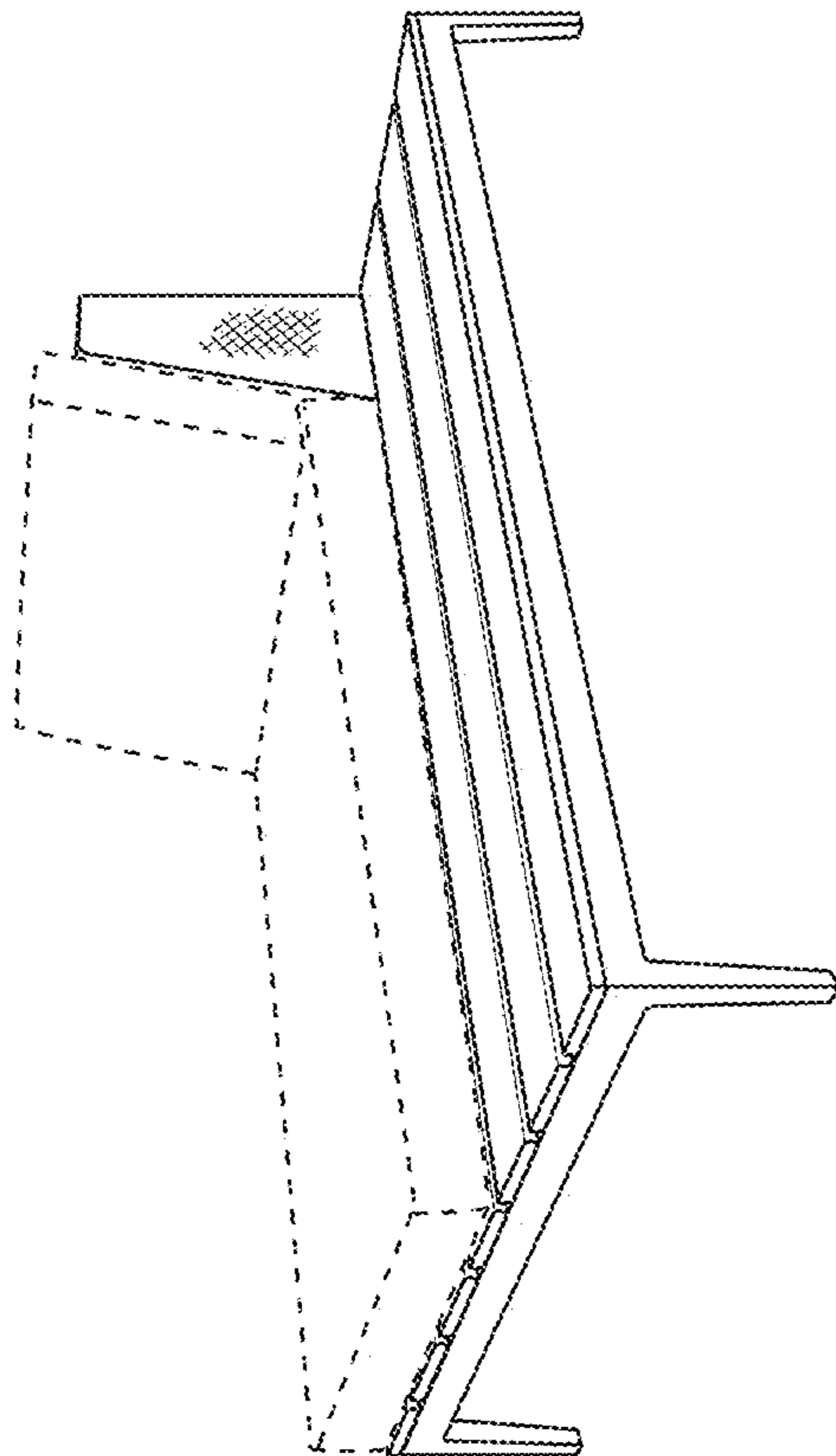


FIG. 50

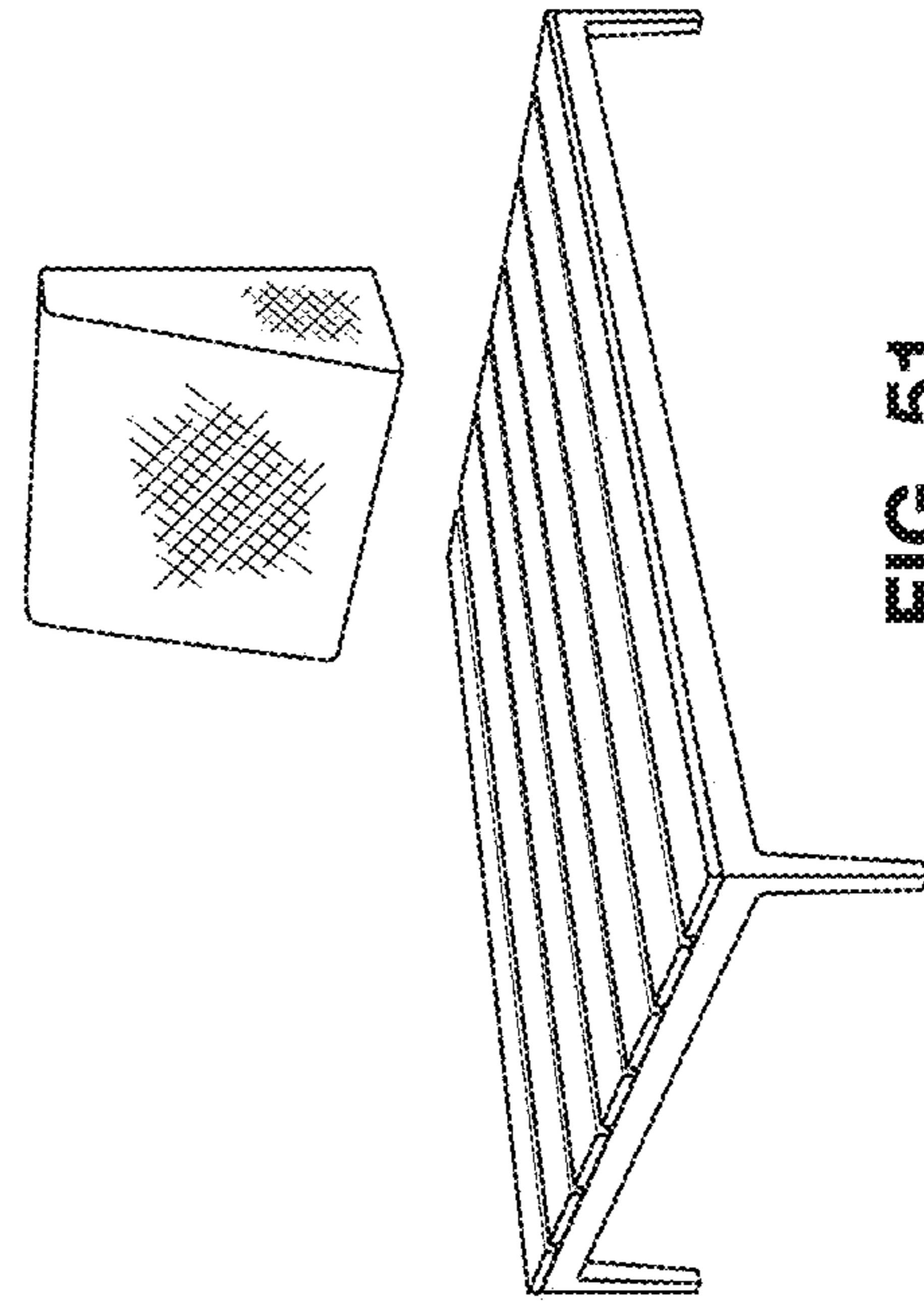


FIG. 51

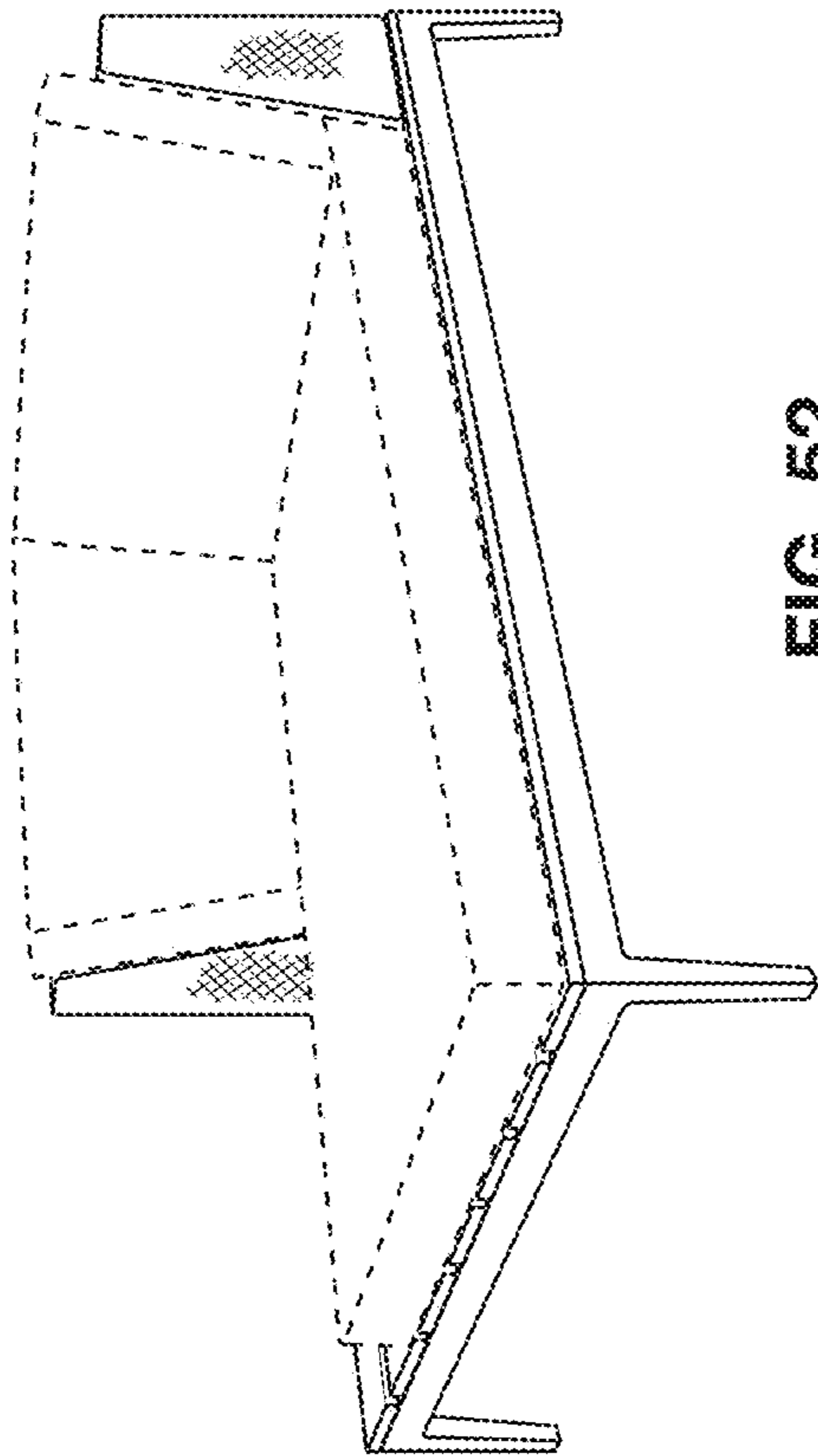


FIG. 52

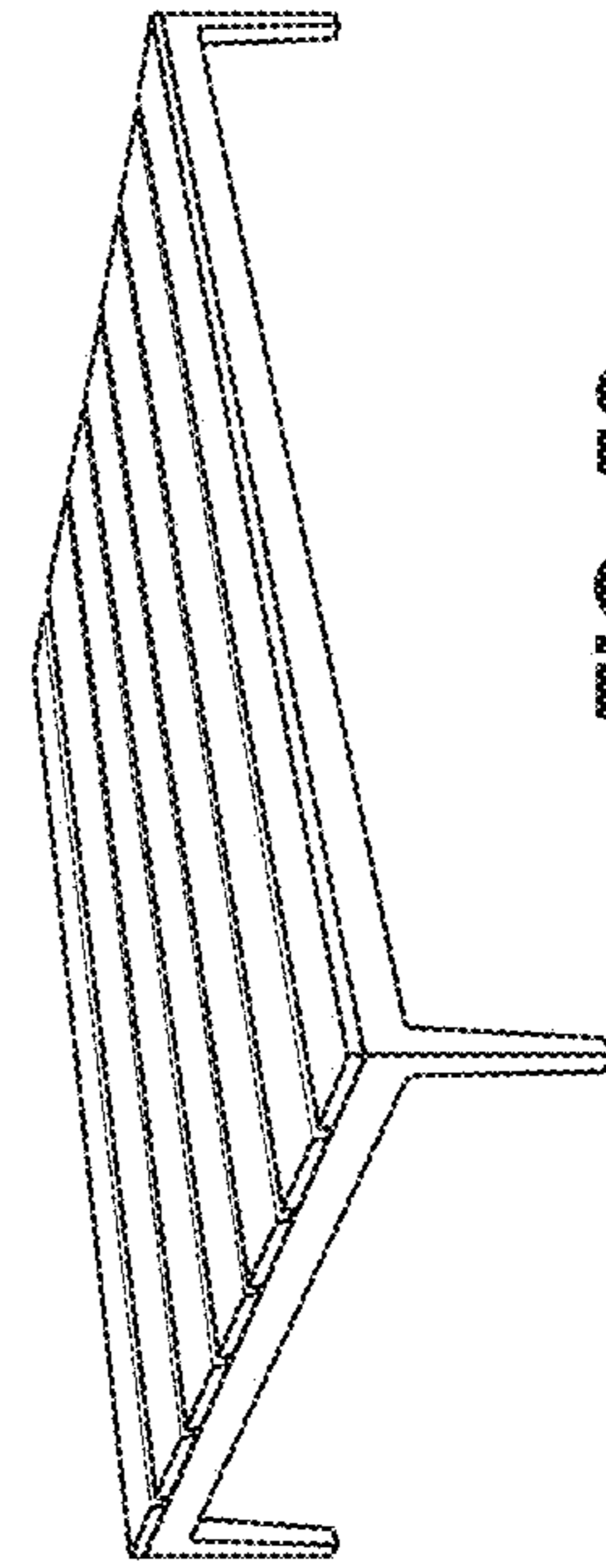
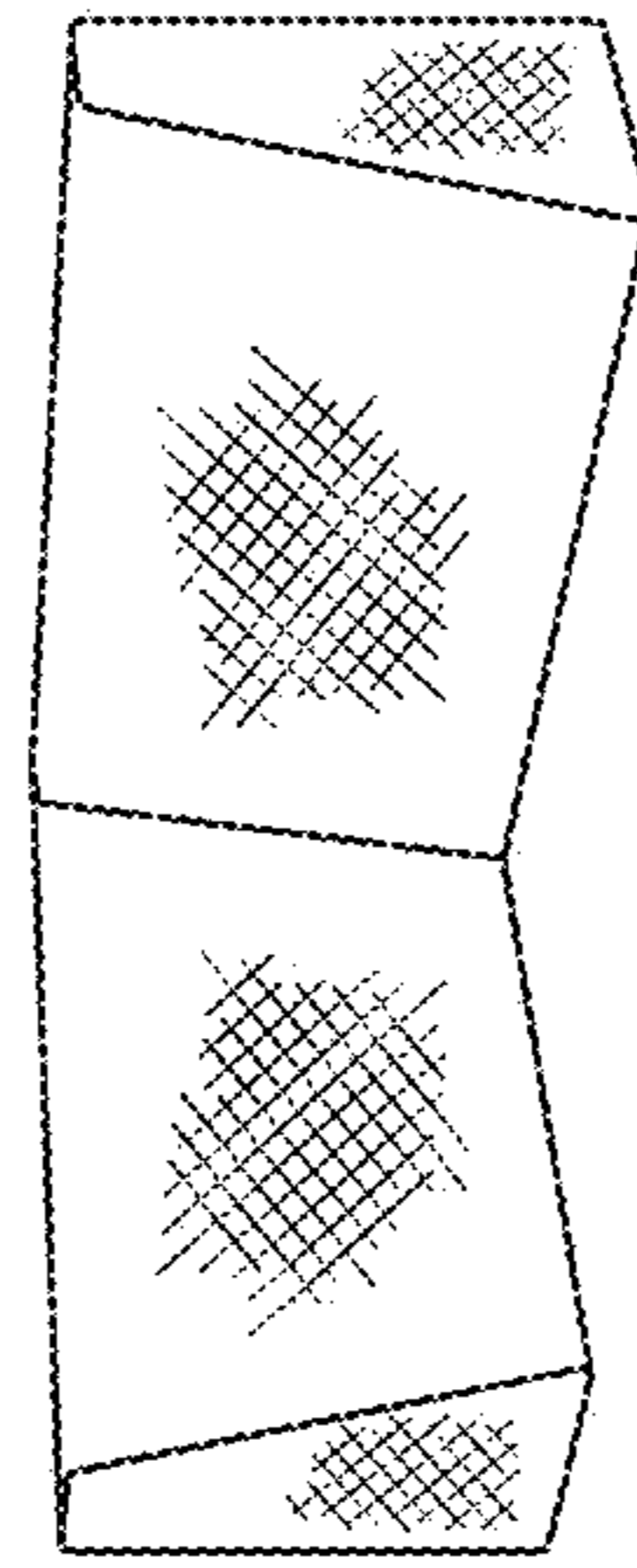


FIG. 53

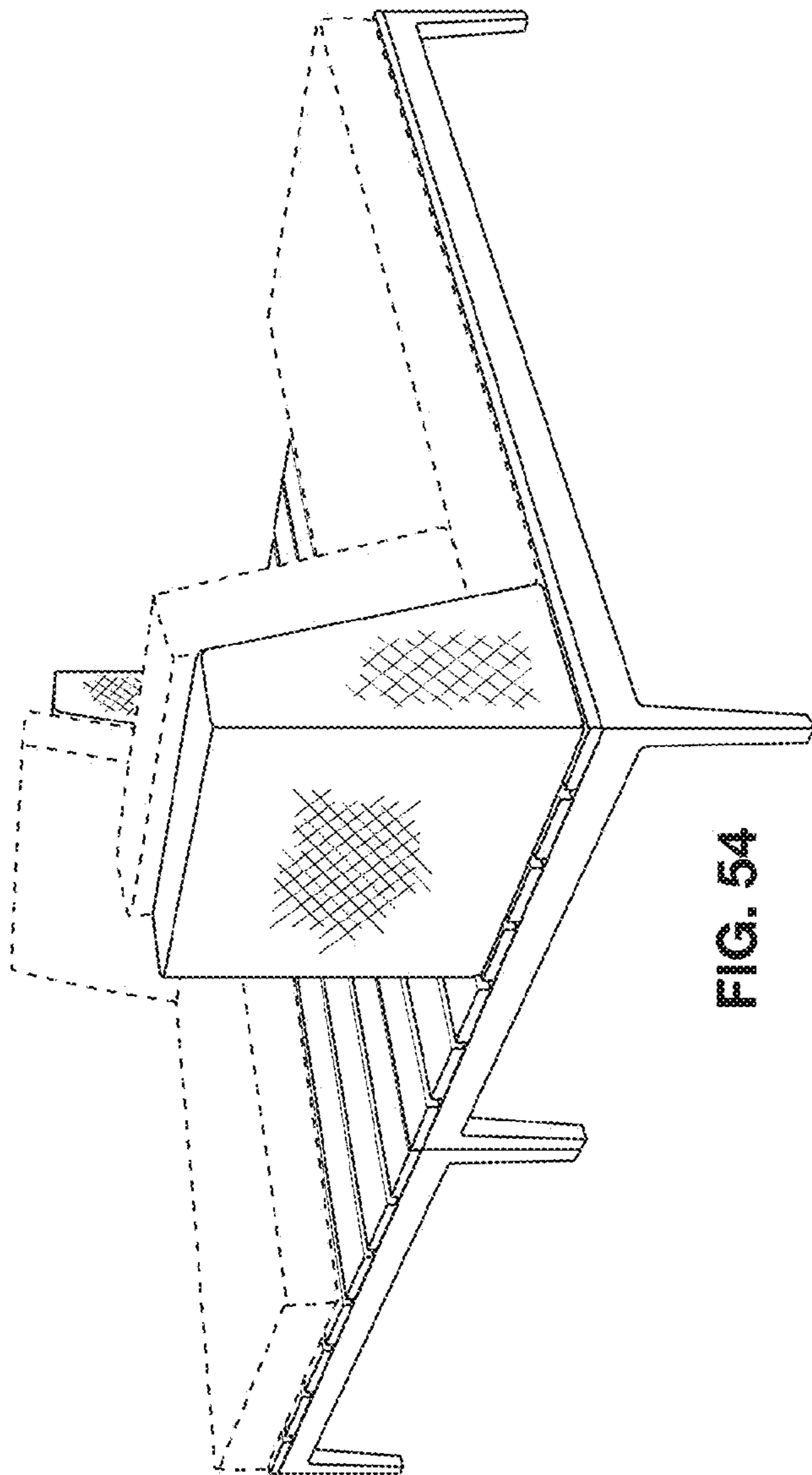


FIG. 54

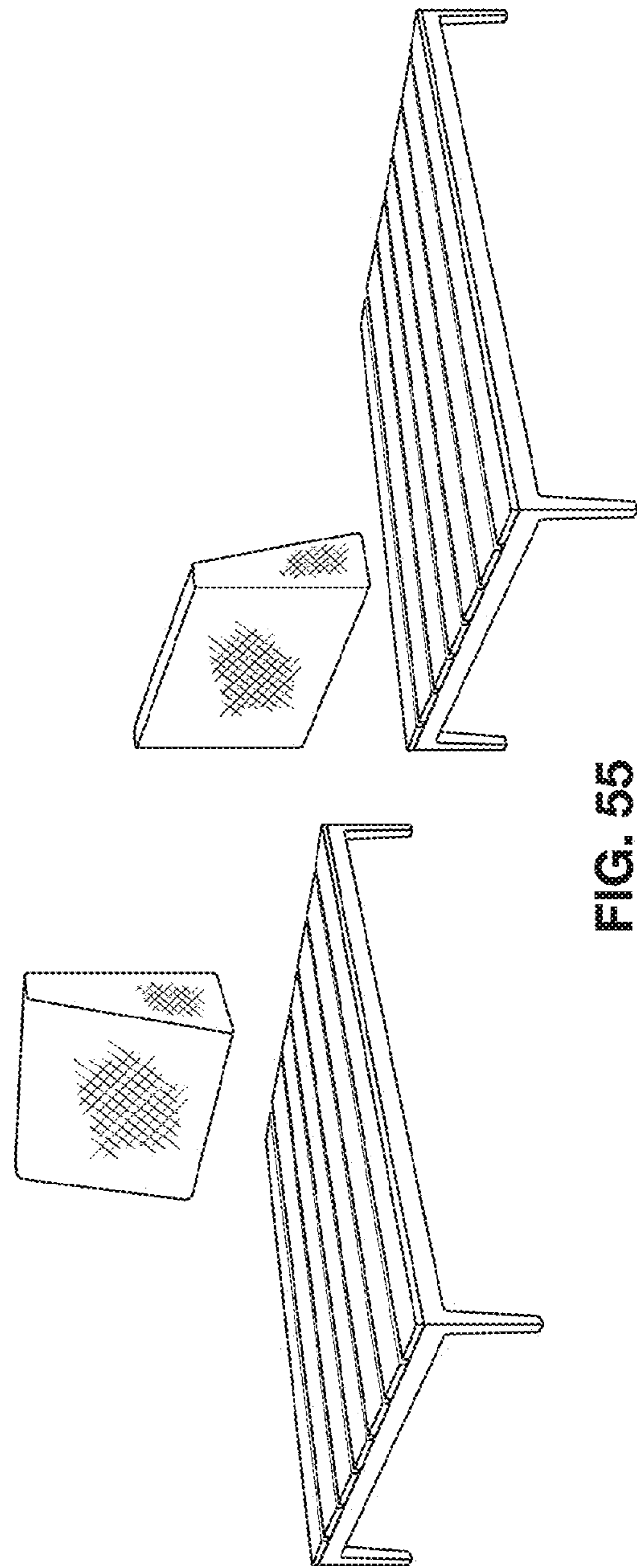


FIG. 55

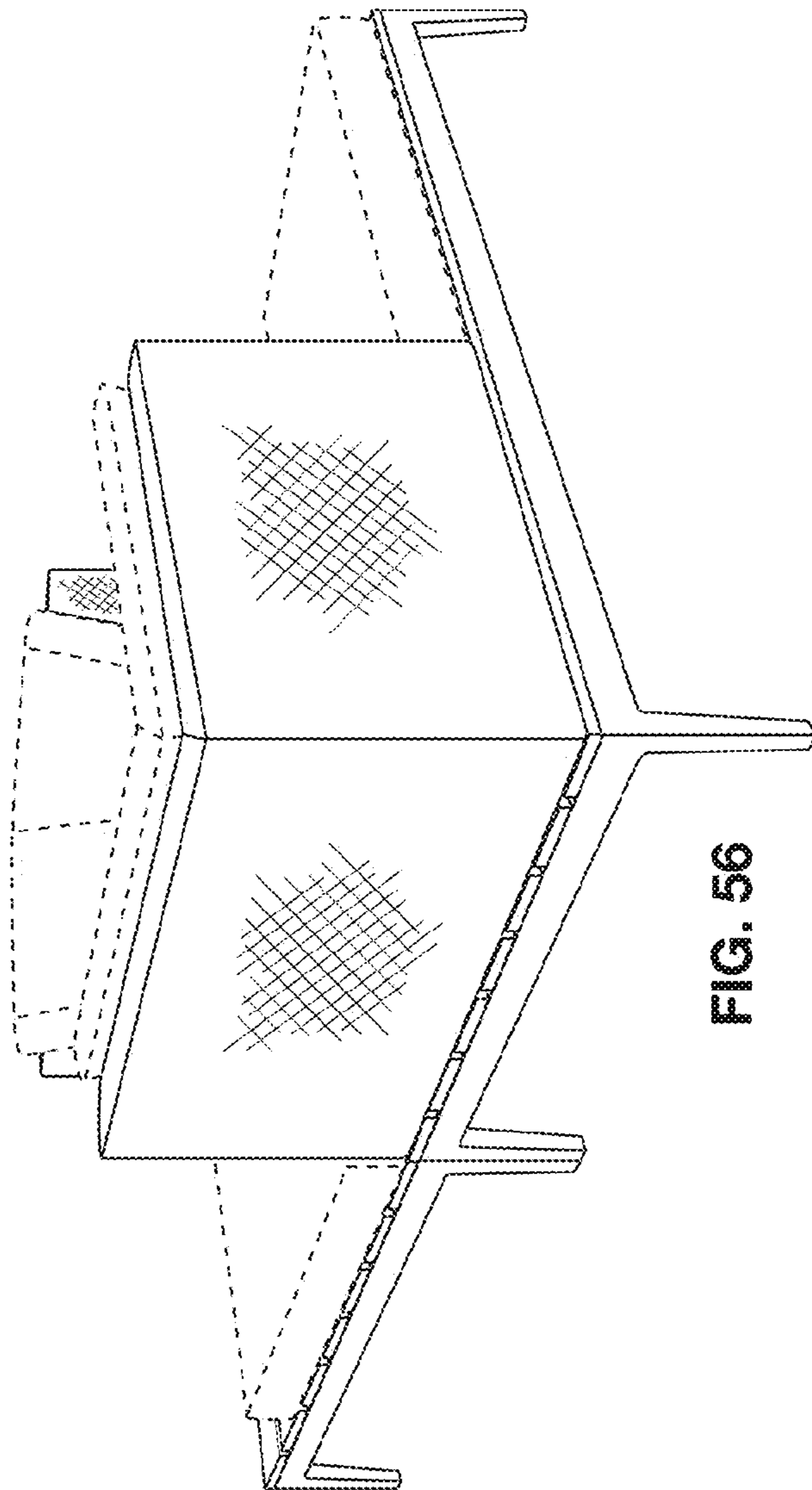


FIG. 56

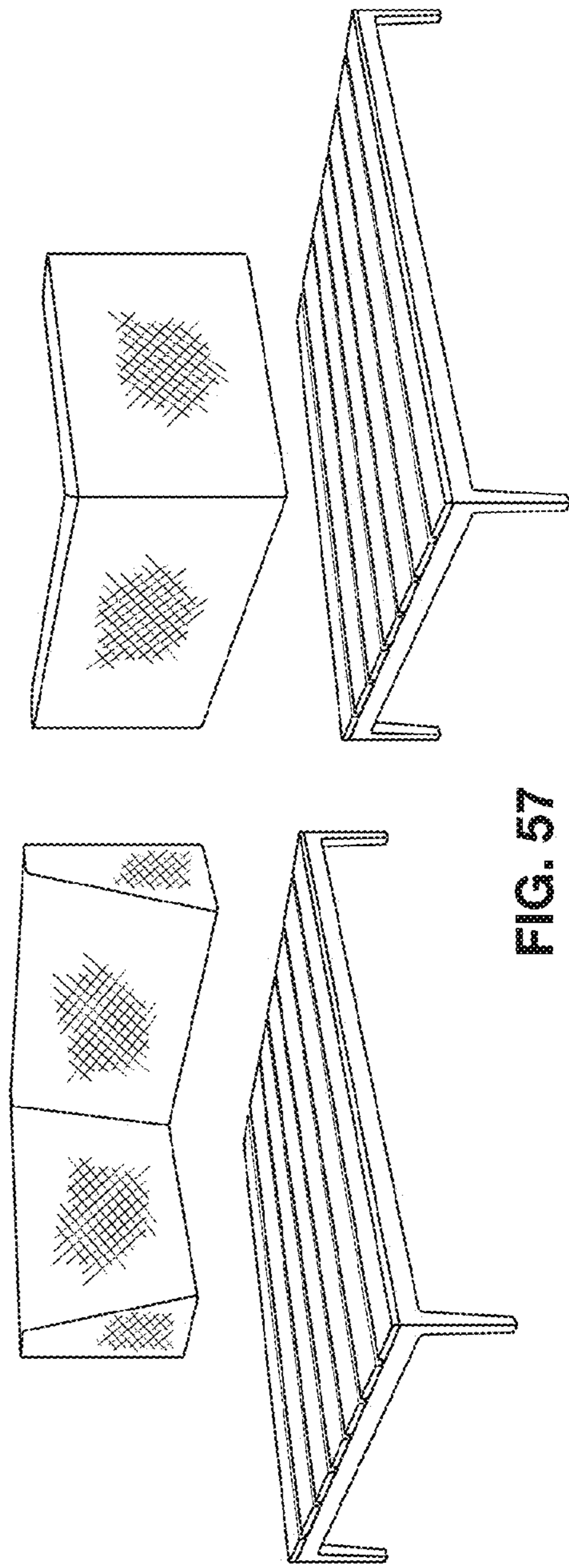


FIG. 57