



US00D887145S

(12) **United States Design Patent** (10) **Patent No.:** **US D887,145 S**  
**Hu** (45) **Date of Patent:** **\*\* Jun. 16, 2020**

(54) **ELECTRIC TOOTHBRUSH HEAD**  
(71) Applicant: **Hansheng Hu**, Gaozhou (CN)  
(72) Inventor: **Hansheng Hu**, Gaozhou (CN)  
(73) Assignee: **Shenzhen Ya Bei Kang Technology Co., Ltd.**, Shenzhen (CN)

D747,609 S \* 1/2016 Watkins ..... D4/101  
D759,380 S \* 6/2016 Watkins ..... D4/101  
D759,383 S \* 6/2016 Watkins ..... D4/101  
D794,336 S \* 8/2017 Zavalloni ..... D4/101  
9,724,180 B1 \* 8/2017 Liu ..... A46B 5/0095  
D805,306 S \* 12/2017 Massee ..... D4/101  
D863,771 S \* 10/2019 Zavalloni ..... D4/101  
D863,772 S \* 10/2019 Hu ..... D4/101  
D877,517 S \* 3/2020 Okai ..... D4/104  
2018/0228584 A1 \* 8/2018 Sokol ..... A61C 17/36

(\*\*) Term: **15 Years**

\* cited by examiner

(21) Appl. No.: **29/678,234**

*Primary Examiner* — George A Bugg  
*Assistant Examiner* — Tamara L Hahn

(22) Filed: **Jan. 27, 2019**

(51) **LOC (12) Cl.** ..... **28-03**

(57) **CLAIM**

(52) **U.S. Cl.**  
USPC ..... **D4/101**

The ornamental design for a electric toothbrush head, as shown and described.

(58) **Field of Classification Search**  
USPC ..... D4/100–113, 116–121, 127, 128, 134,  
D4/137, 138, 199; D24/107, 108, 133,  
D24/152, 176  
CPC .... A46B 9/00; A46B 9/02; A46B 9/04; A46B  
13/023; A46B 15/0002; A46B 15/0071;  
A46B 2200/1066; A46B 2200/1073;  
A61C 17/221; A61C 17/222  
See application file for complete search history.

**DESCRIPTION**

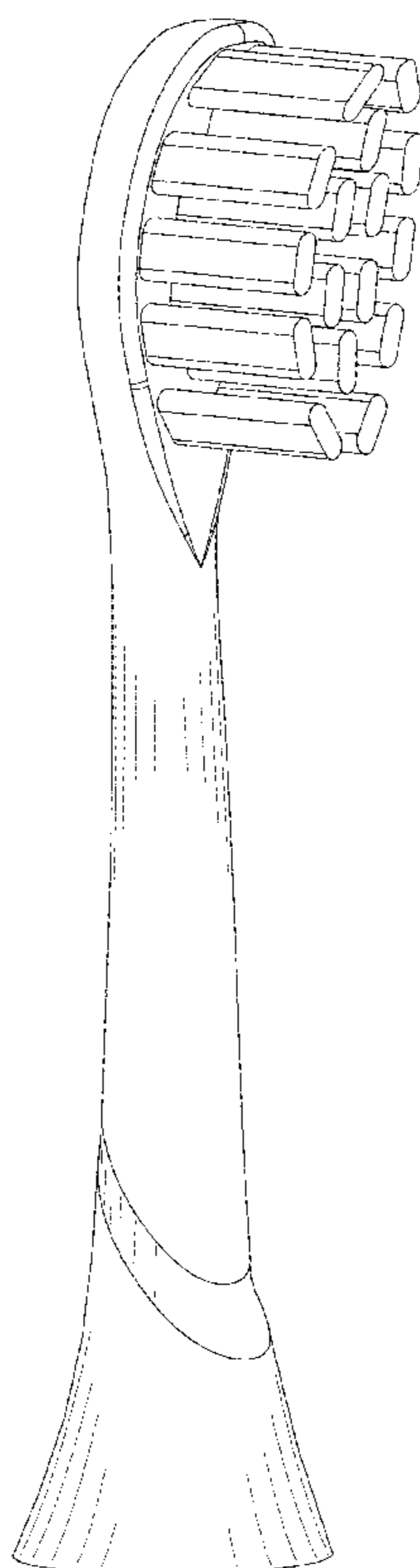
FIG. 1 is a left, front perspective view of the electric toothbrush head showing my new design; FIG. 2 is a rear perspective view thereof; FIG. 3 is a front elevational view thereof; FIG. 4 is a rear elevational view thereof; FIG. 5 is a left side elevational view thereof; FIG. 6 is a right side elevational view thereof; FIG. 7 is a top plan view thereof; and, FIG. 8 is a bottom plan view thereof. The broken lines depict the portions that form no part of the claimed design.

(56) **References Cited**

**U.S. PATENT DOCUMENTS**

D517,325 S \* 3/2006 Black ..... D4/108  
D611,712 S \* 3/2010 Stoerkel ..... D4/104

**1 Claim, 7 Drawing Sheets**



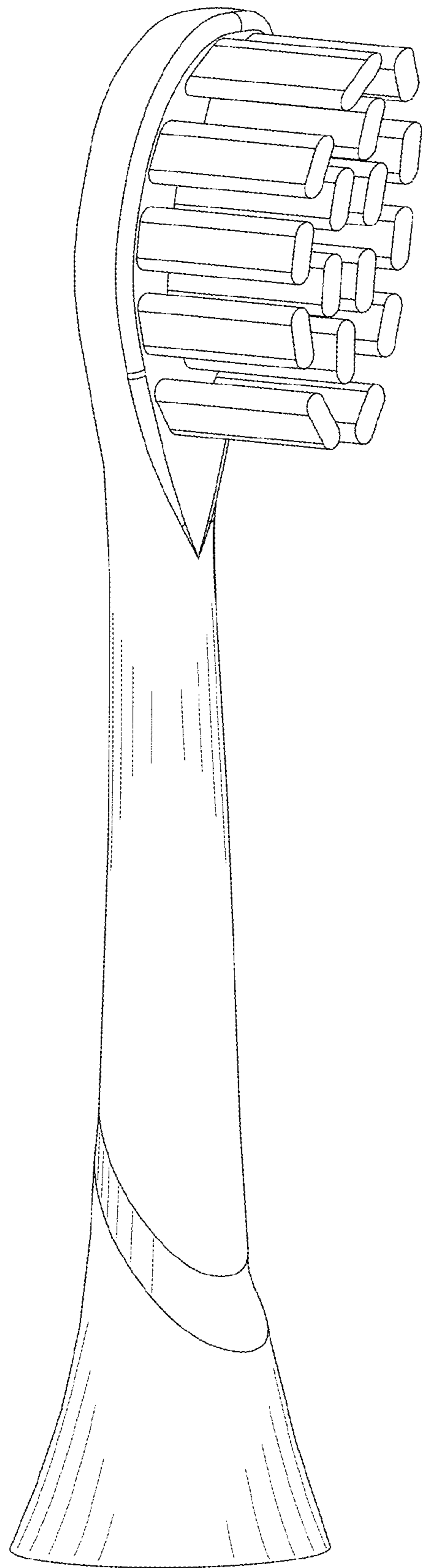


FIG. 1

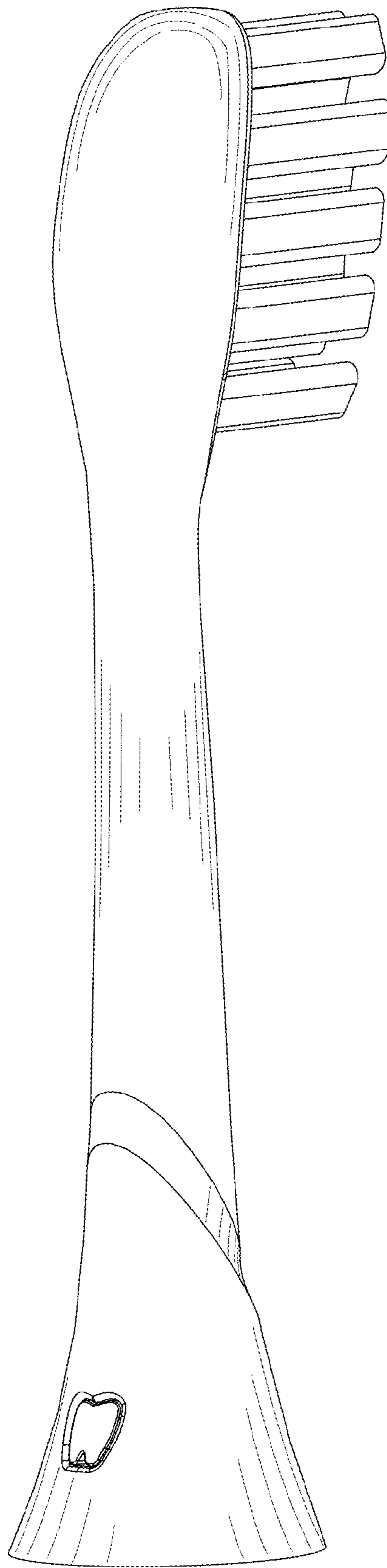


FIG. 2

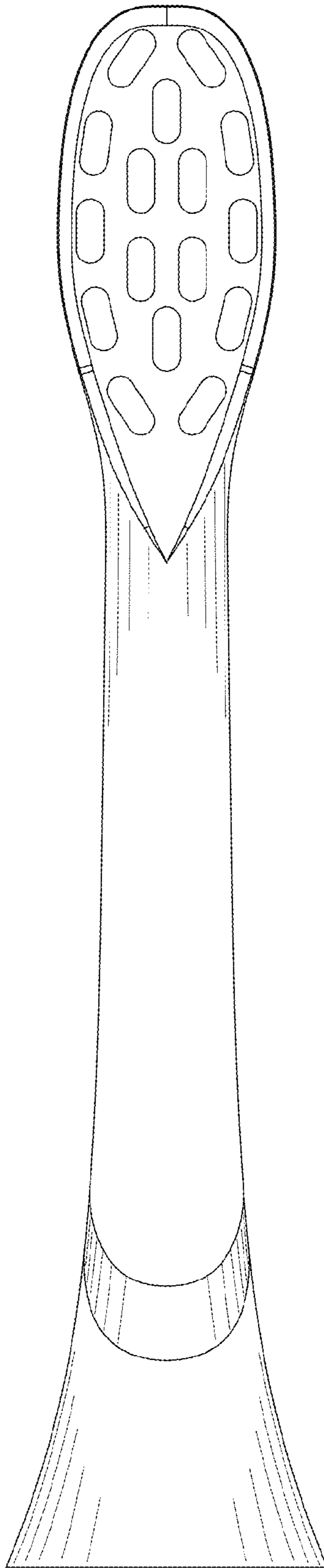


FIG.3

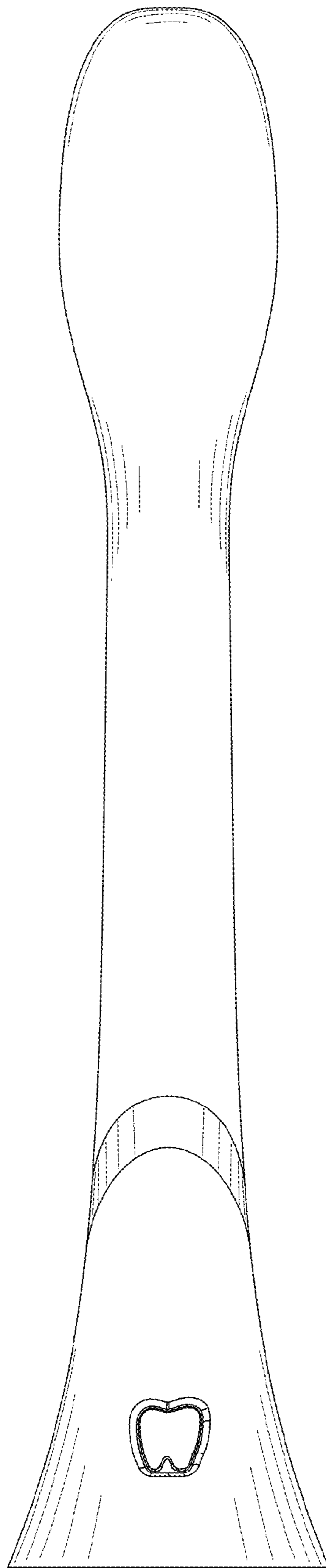


FIG.4

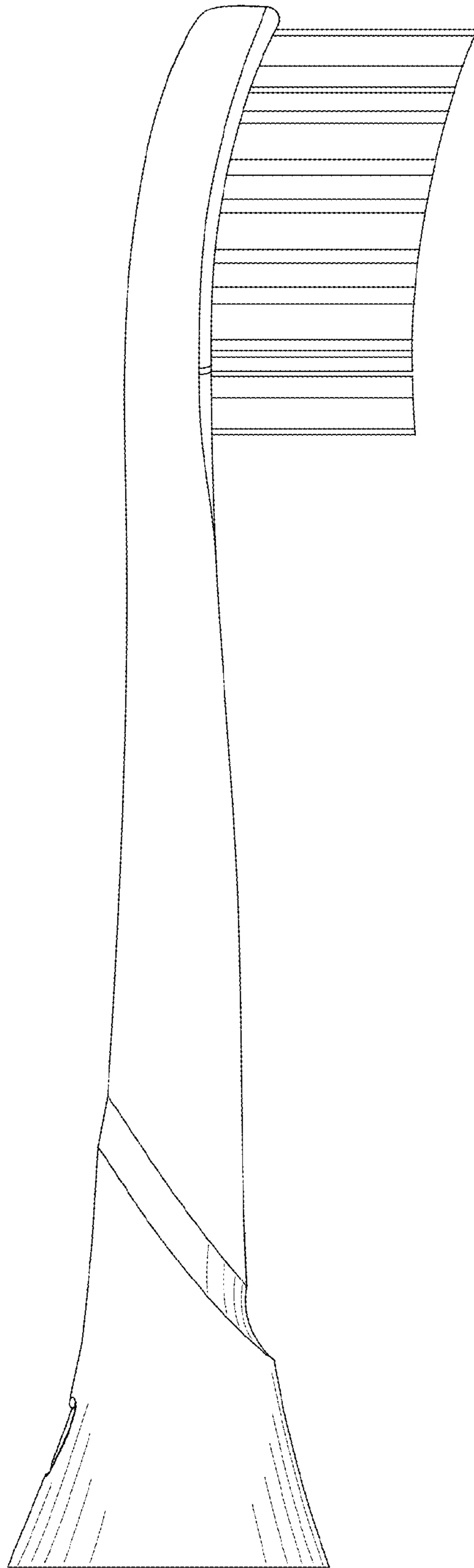


FIG.5

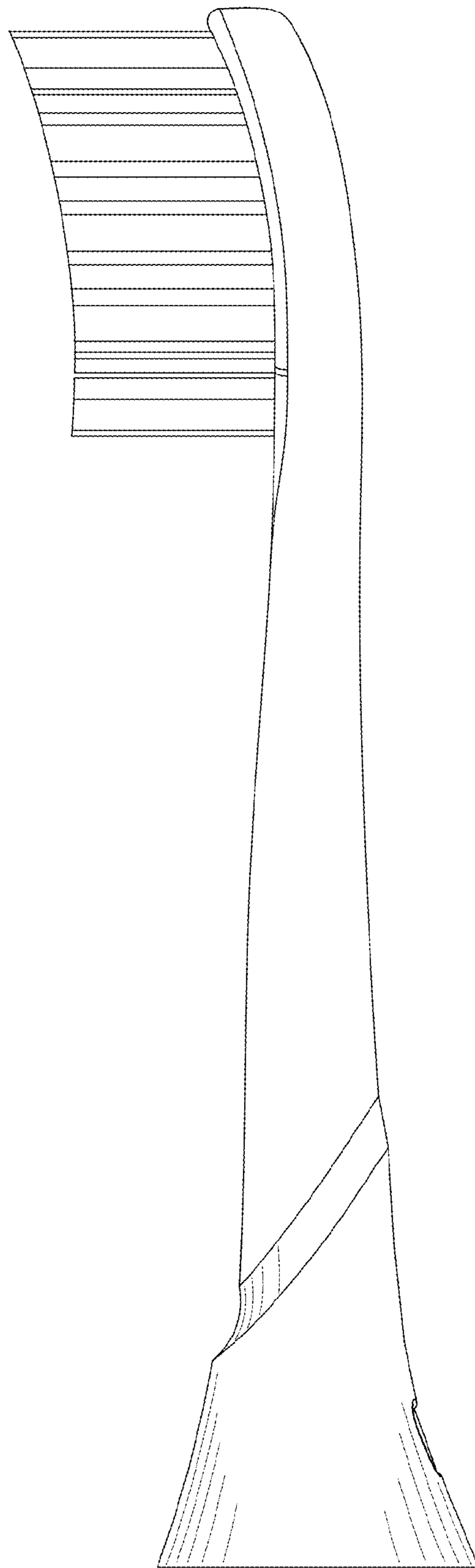


FIG.6

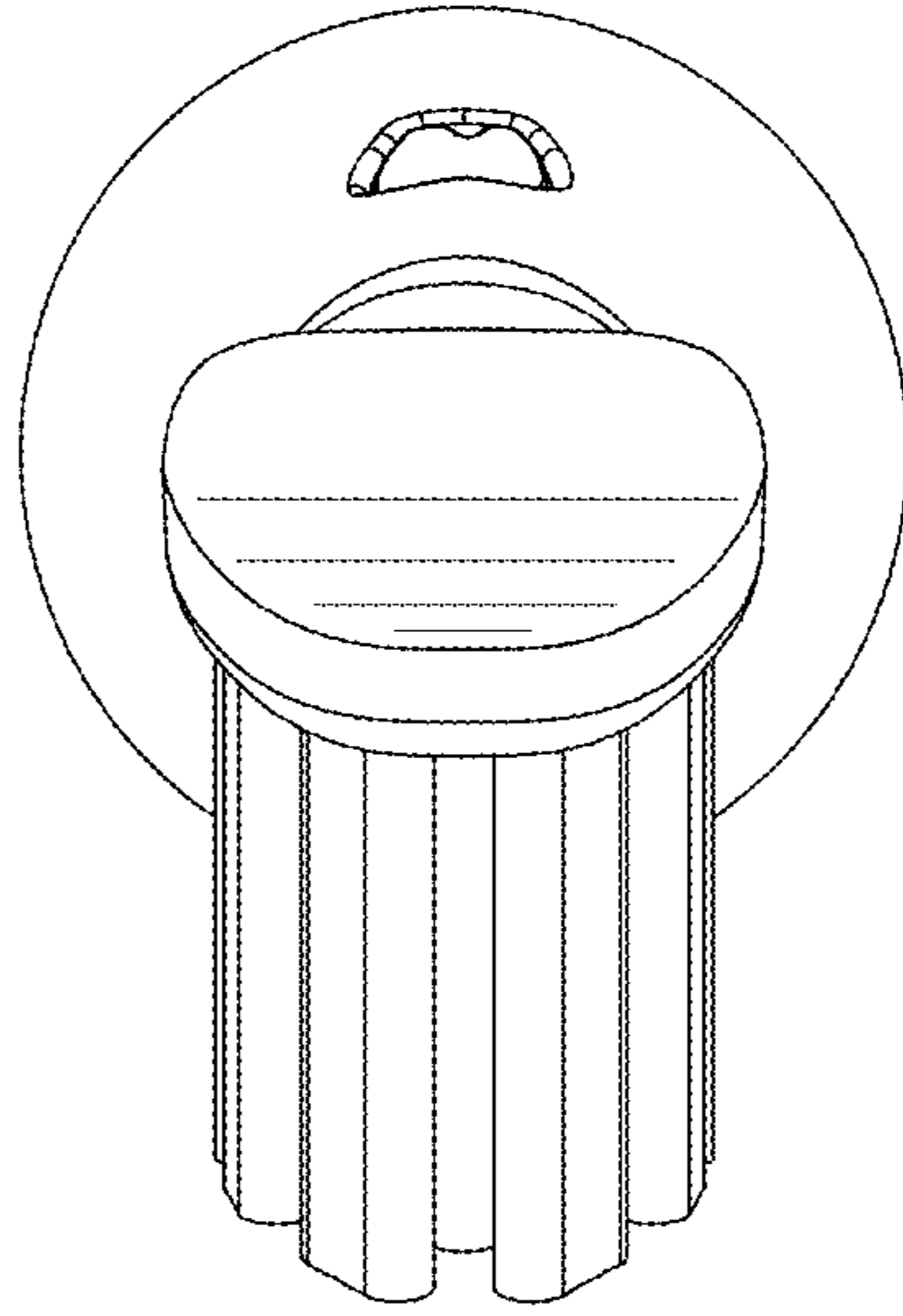


FIG. 7

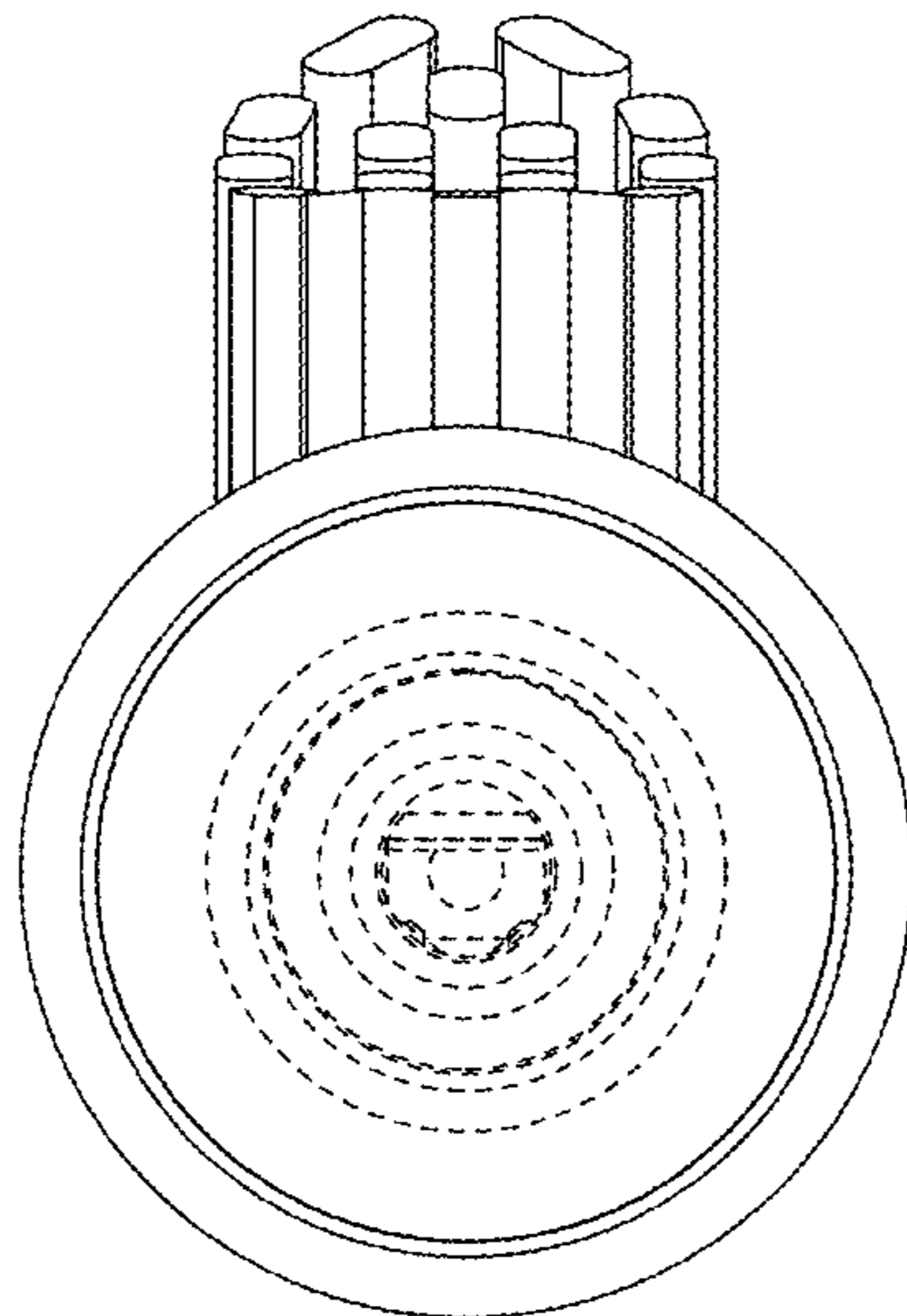


FIG. 8