



US00D887142S

(12) **United States Design Patent**  
**Tuang**

(10) **Patent No.:** **US D887,142 S**  
(45) **Date of Patent:** **\*\* Jun. 16, 2020**

- (54) **CADDY**
- (71) Applicant: **EP Family Corp.**, Walnut, CA (US)
- (72) Inventor: **Bao-Yi Tuang**, Walnut, CA (US)
- (\*\*) Term: **15 Years**
- (21) Appl. No.: **29/669,709**
- (22) Filed: **Nov. 9, 2018**
- (51) **LOC (12) Cl.** ..... **03-03**
- (52) **U.S. Cl.**  
USPC ..... **D3/315**
- (58) **Field of Classification Search**  
USPC ..... D3/315  
CPC ..... B65D 7/26; H02G 3/04  
See application file for complete search history.

D765,448 S \* 9/2016 Kidd ..... D6/682.1  
 9,556,976 B1 \* 1/2017 Thompson ..... H02G 1/08  
 D799,827 S \* 10/2017 Greenblatt ..... D3/306

\* cited by examiner

*Primary Examiner* — Charles D Hanson  
 (74) *Attorney, Agent, or Firm* — Tommy S F Wang;  
 Wang IP Law Group, P.C.

(57) **CLAIM**

The ornamental design for a caddy, as shown and described.

**DESCRIPTION**

FIG. 1 is a perspective view of a caddy showing my new design;  
 FIG. 2 is a front view thereof;  
 FIG. 3 is a rear view thereof;  
 FIG. 4 is a left side view thereof;  
 FIG. 5 is a right side view thereof;  
 FIG. 6 is a top view thereof; and,  
 FIG. 7 is a bottom view thereof.

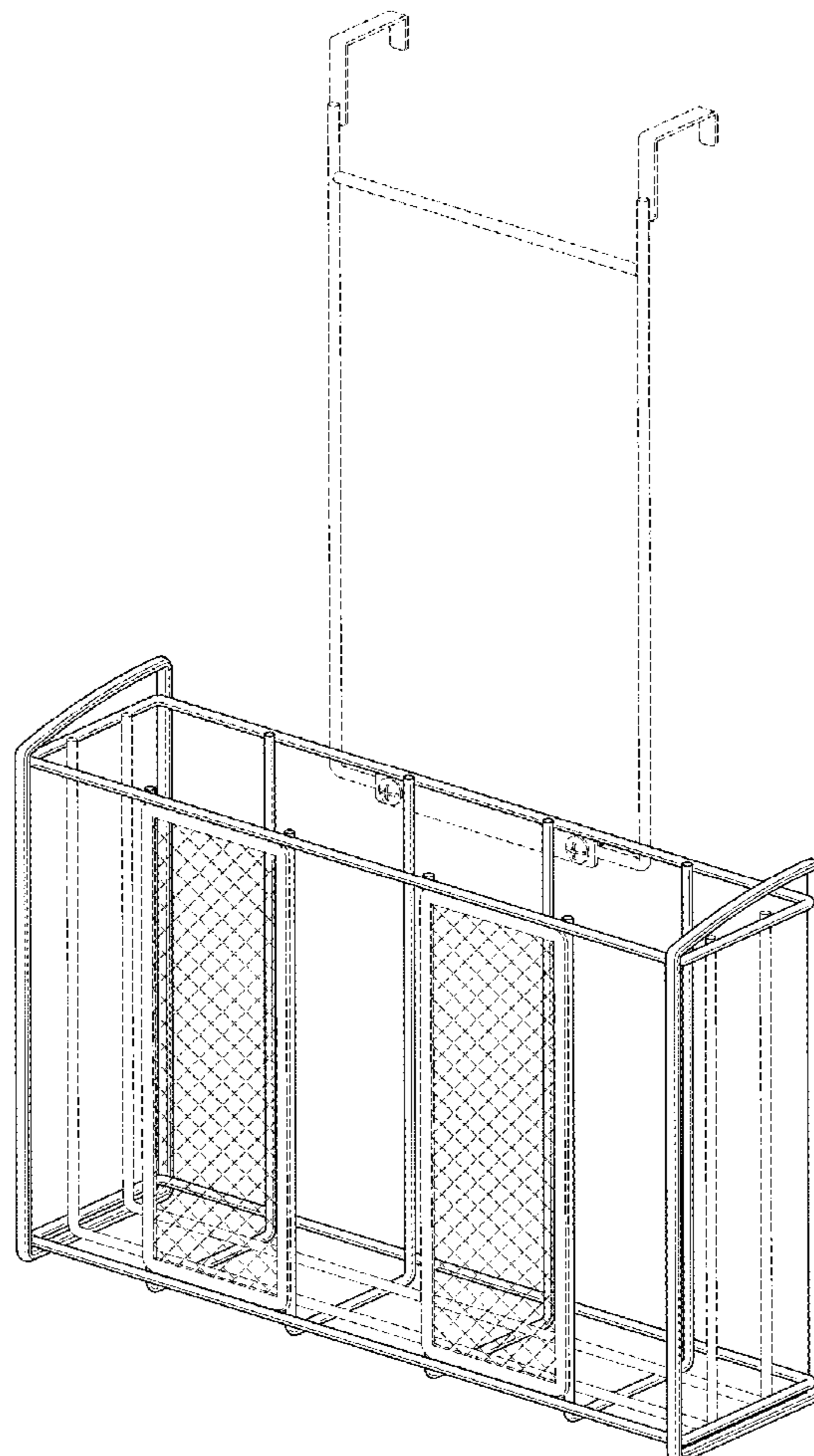
The broken line portions of the caddy in FIGS. 1-7 represent unclaimed portions of the claimed design and form no part thereof.

(56) **References Cited**

**U.S. PATENT DOCUMENTS**

- 2,524,900 A \* 10/1950 Einhorn ..... B65D 7/26  
220/6
- D273,149 S \* 3/1984 Fifield ..... D3/274
- D477,139 S \* 7/2003 Rossi ..... D3/254
- D707,971 S \* 7/2014 Tobaruela ..... D3/304

**1 Claim, 6 Drawing Sheets**



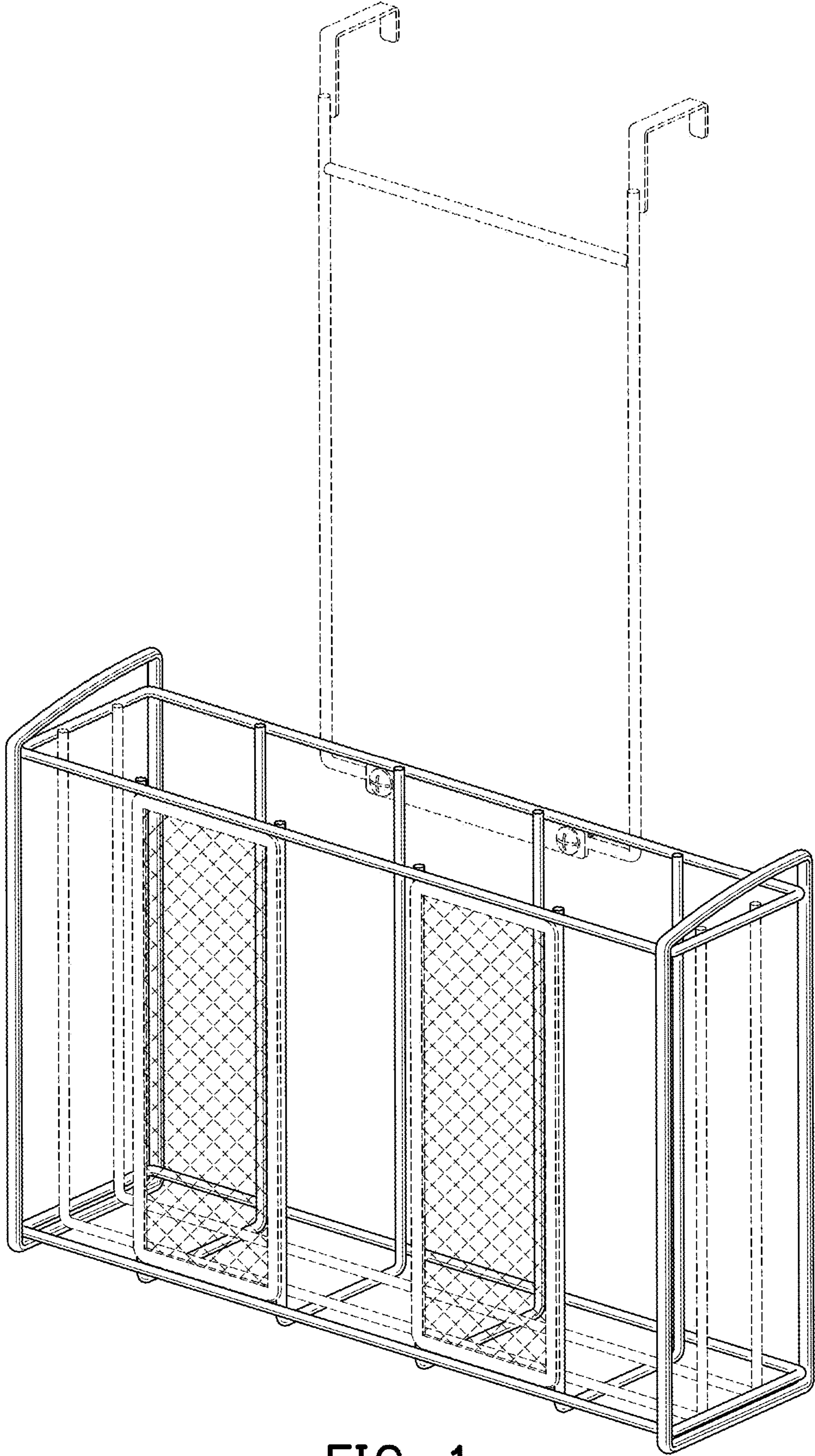


FIG. 1

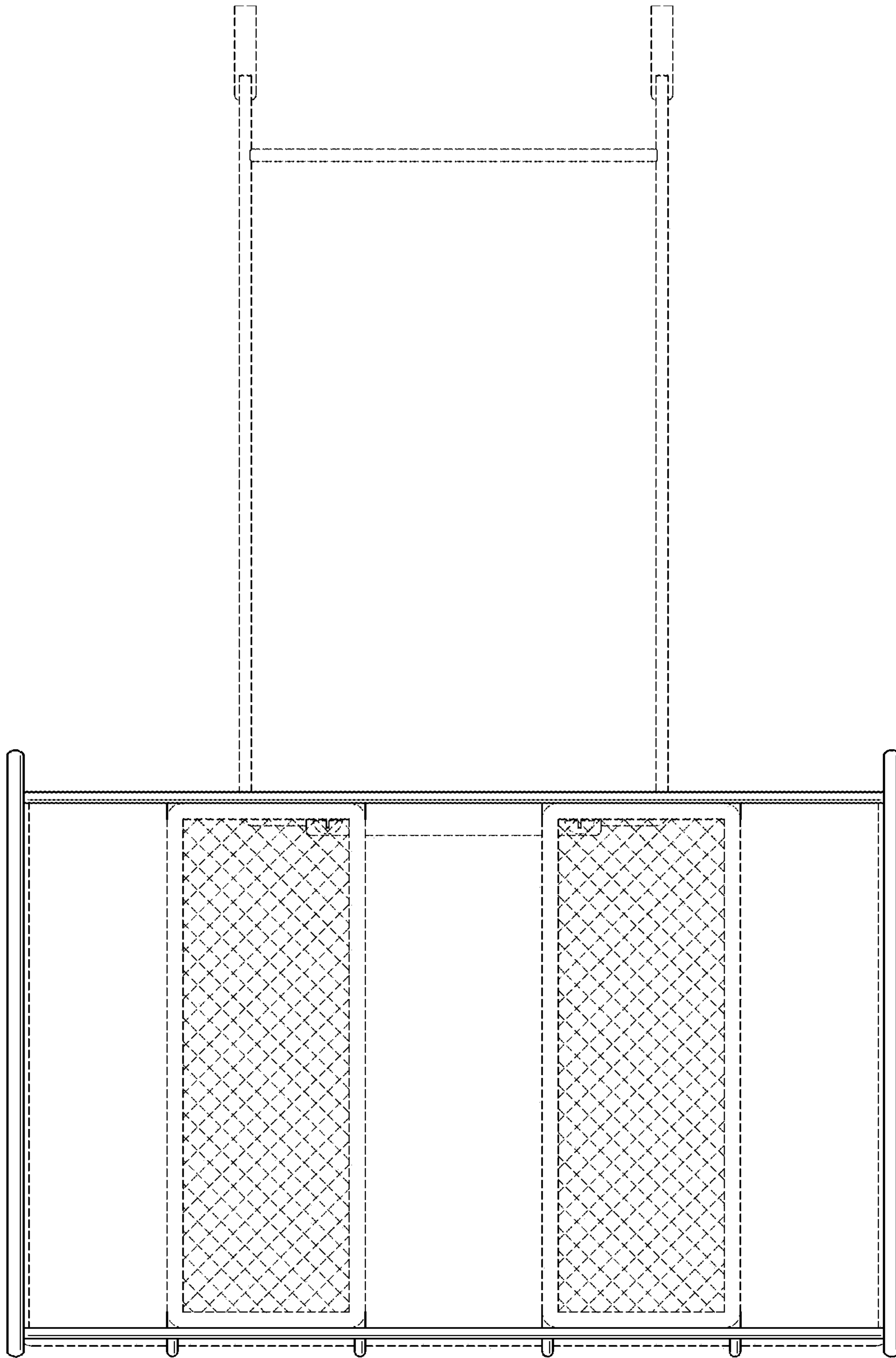


FIG. 2

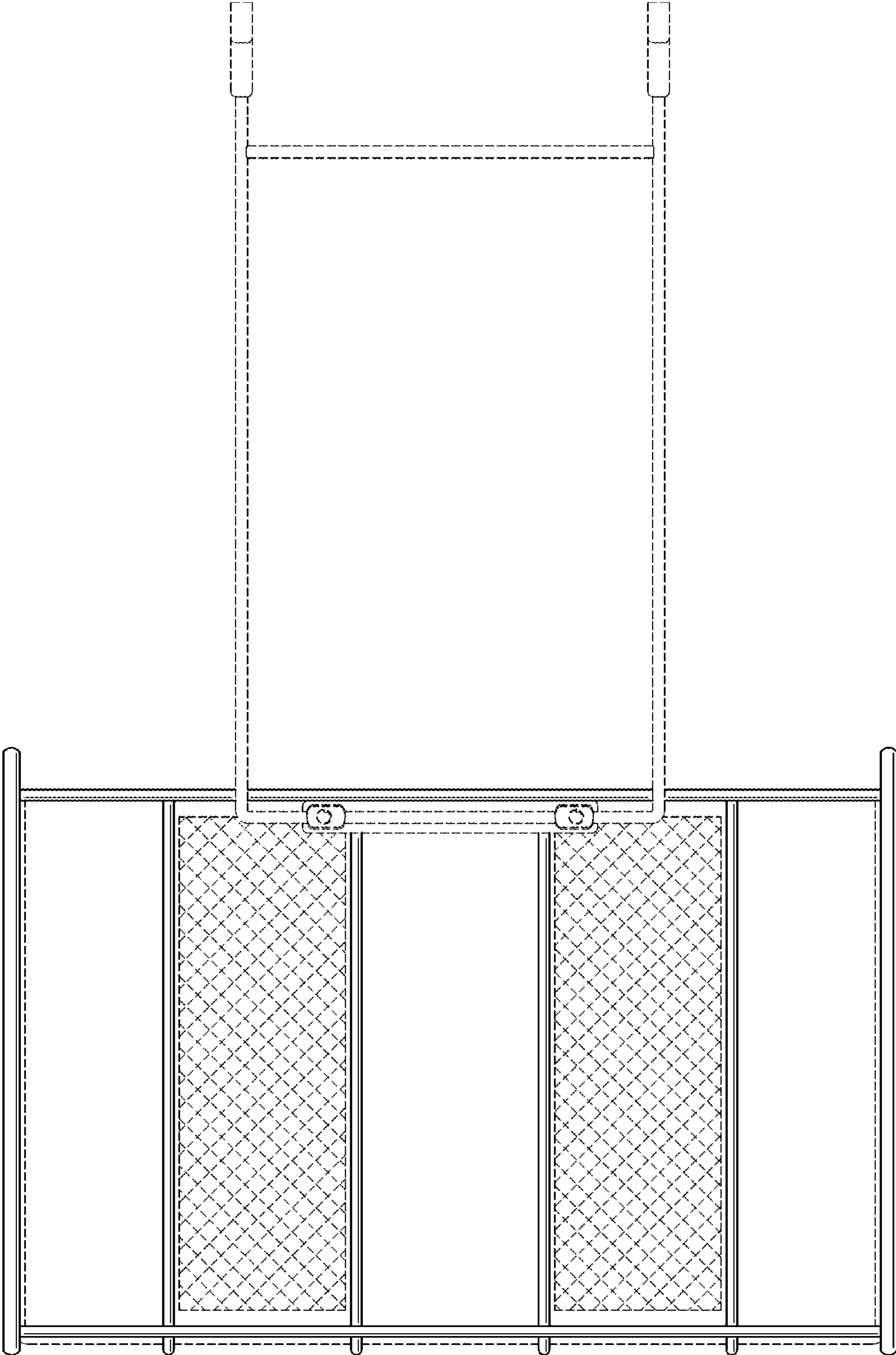


FIG. 3

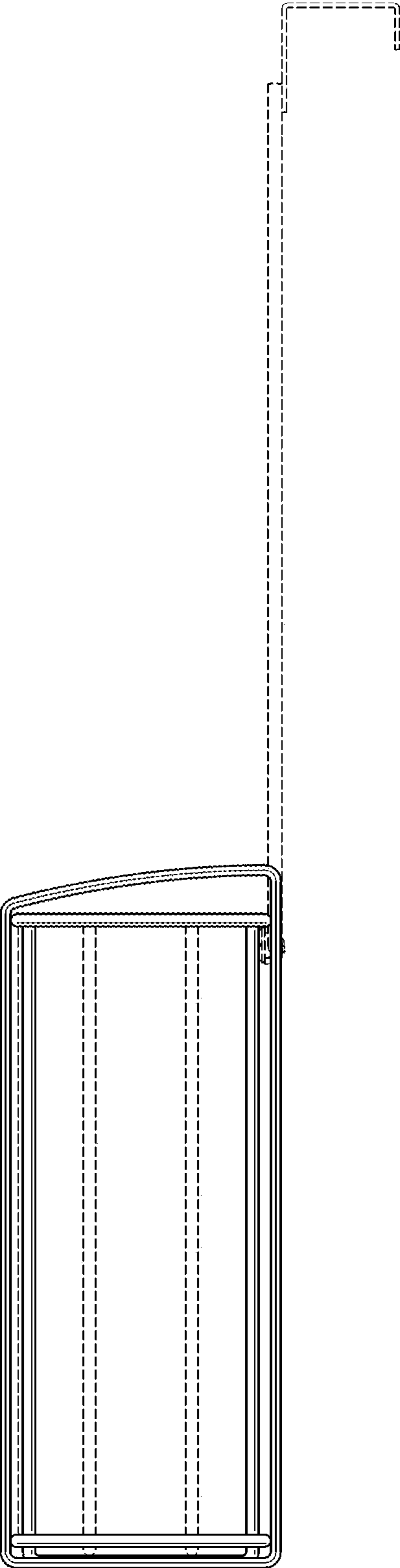


FIG. 4

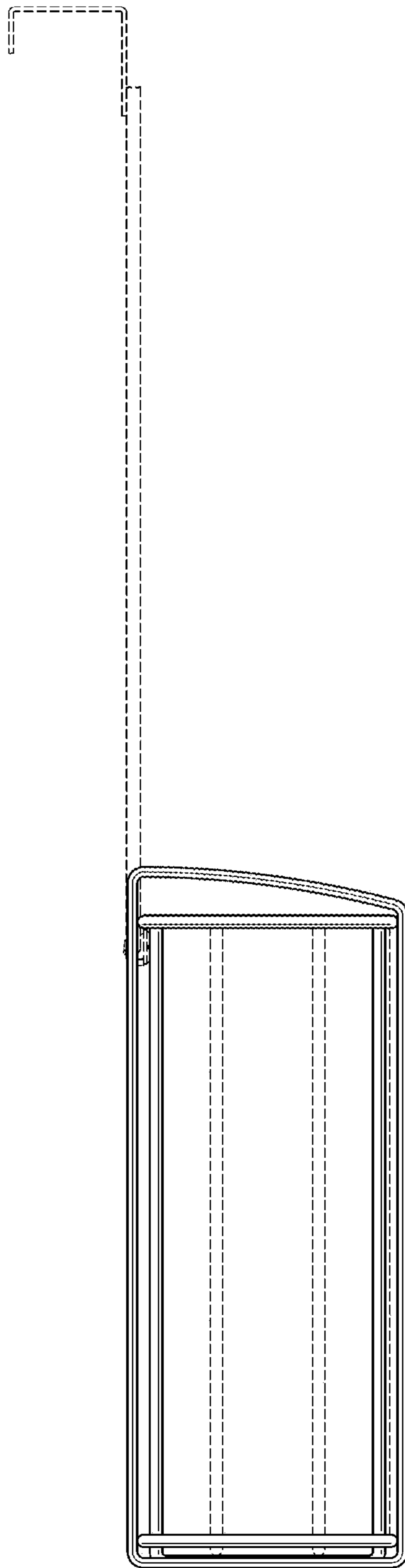


FIG. 5

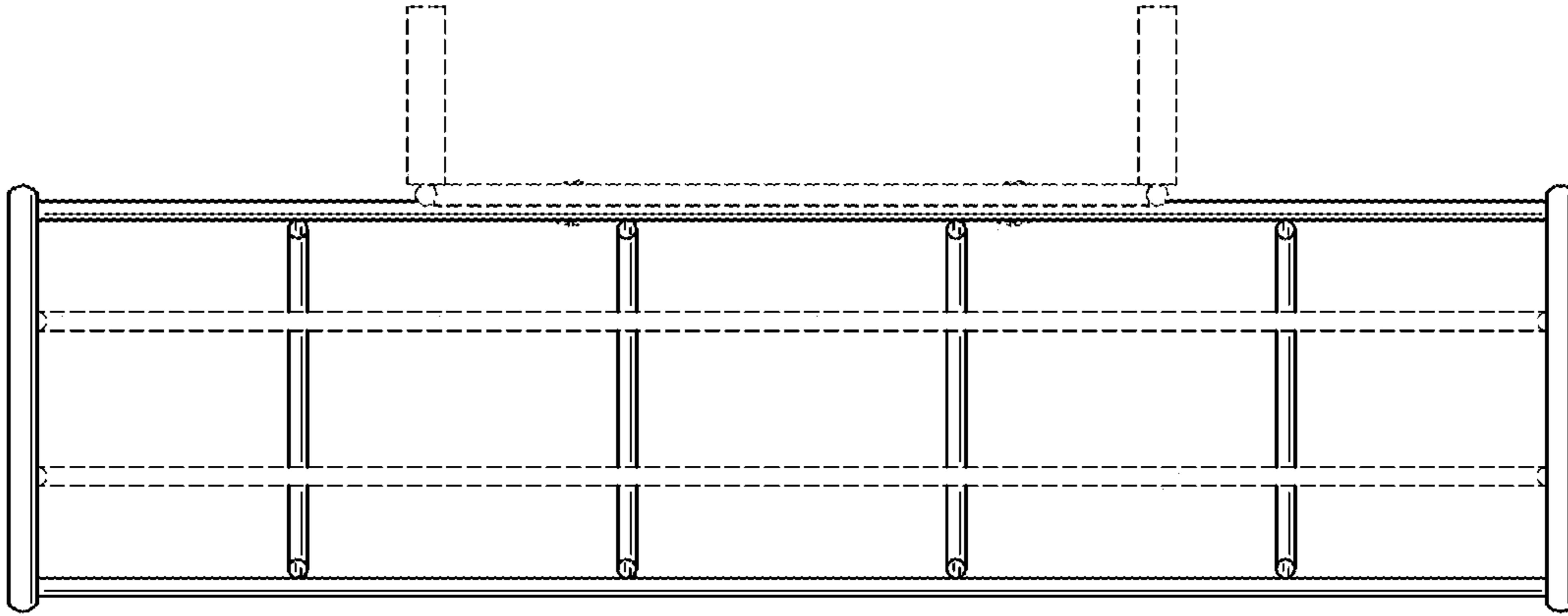


FIG. 6

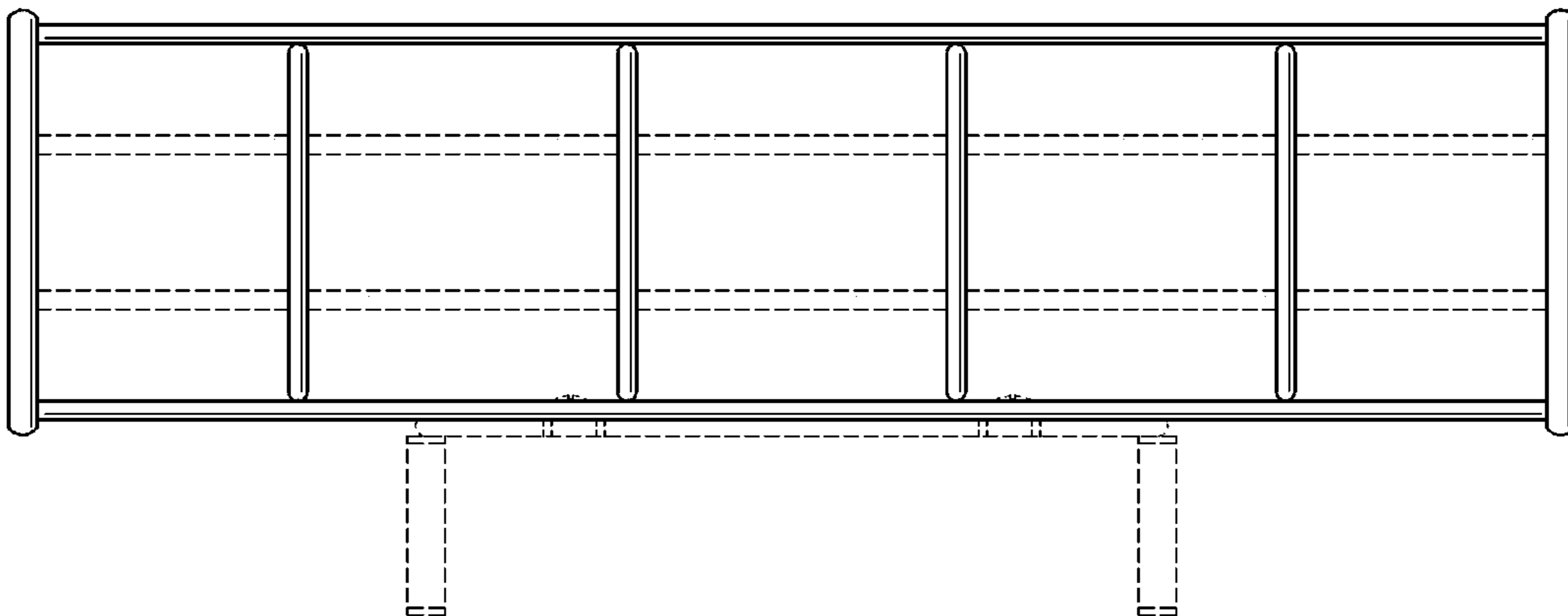


FIG. 7