



US00D887140S

(12) **United States Design Patent**  
**Hyun**

(10) **Patent No.:** **US D887,140 S**

(45) **Date of Patent:** **\*\* Jun. 16, 2020**

- (54) **CASE FOR CHARGING CASE**
- (71) Applicant: **SPIGEN KOREA CO., LTD.**, Seoul (KR)
- (72) Inventor: **Young Kwang Hyun**, Seoul (KR)
- (73) Assignee: **Spigen Korea CO., LTD.**, Seoul (KR)
- (\*\*) Term: **15 Years**
- (21) Appl. No.: **29/684,401**
- (22) Filed: **Mar. 20, 2019**
- (51) **LOC (12) Cl.** ..... **03-01**
- (52) **U.S. Cl.**  
USPC ..... **D3/302**; D13/103
- (58) **Field of Classification Search**  
USPC ..... D3/201, 208, 212, 271.1, 273, 294, 218,  
D3/215, 269, 270, 302; D14/217, 221,  
D14/223, 496; D13/103  
CPC ..... A45C 13/002; A45C 2011/001; H04R  
1/1025  
See application file for complete search history.

- D809,454 S \* 2/2018 Zhou ..... D13/103
- D813,909 S 3/2018 Lacy-Nichols
- D816,651 S 5/2018 Chiang et al.
- D823,246 S 7/2018 Lin
- D823,788 S \* 7/2018 Wei ..... D13/103
- (Continued)

**OTHER PUBLICATIONS**

Amazon, "Spigen Tough Armor Designed for AirPods Case Cover for AirPods 1 & 2 [Front LED Visible]—Black", First in sale Jul. 11, 2019. (<https://www.amazon.com/Spigen-Tough-Designed-Airpods-Visible/dp/B07V5QT7S4>) (Year: 2019).\*

(Continued)

*Primary Examiner* — April Rivas  
(74) *Attorney, Agent, or Firm* — Heedong Chae; Lucem, PC

(57) **CLAIM**

The ornamental design for a case for charging case, as shown and described.

**DESCRIPTION**

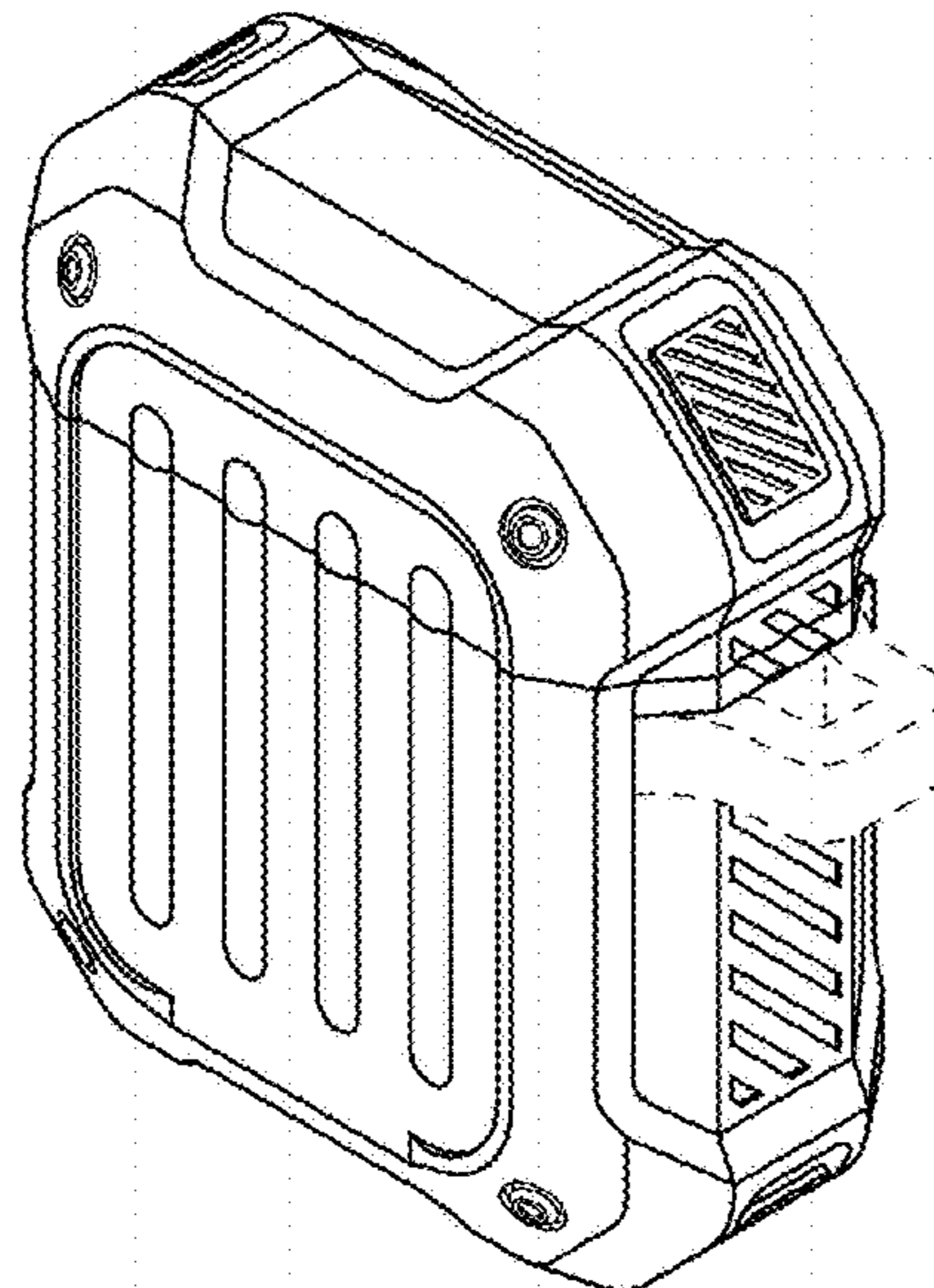
FIG. 1 is a front perspective view of a case for charging case showing my new design;  
 FIG. 2 is a rear perspective view thereof;  
 FIG. 3 is a front elevational view thereof;  
 FIG. 4 is a rear elevational view thereof;  
 FIG. 5 is a left side elevational view thereof;  
 FIG. 6 is a right side elevational view thereof;  
 FIG. 7 is a top plan view thereof;  
 FIG. 8 is a bottom plan view thereof; and,  
 FIG. 9 is an exploded front perspective view of the case separated from the charging case.  
 The broken lines illustrate portions of the case for charging case. The broken line charging case in FIG. 9 illustrates environment. None of the broken lines form part of the claimed design.

(56) **References Cited**

**U.S. PATENT DOCUMENTS**

- D475,696 S 6/2003 Hussaini et al.
- D614,048 S 4/2010 Smith
- 7,775,354 B2 \* 8/2010 Latchford ..... A45C 13/008  
150/165
- D691,372 S \* 10/2013 Chun ..... D3/294
- D707,446 S \* 6/2014 Svahn ..... D3/273
- D709,699 S \* 7/2014 Hsu ..... D3/294
- D756,626 S 5/2016 Tollefsbol et al.
- D786,787 S \* 5/2017 Yang ..... D13/103
- D789,086 S \* 6/2017 Lin ..... D3/294
- D791,754 S 7/2017 Armstrong et al.
- D794,617 S 8/2017 Wright et al.
- D794,618 S 8/2017 Wright et al.
- D806,388 S 1/2018 Akana et al.
- D808,653 S \* 1/2018 Rayeski ..... D3/273

**1 Claim, 9 Drawing Sheets**





(56)

## References Cited

## U.S. PATENT DOCUMENTS

D829,213	S *	9/2018	Szeremeta	.....	D14/432
D834,301	S	11/2018	Poissant		
D835,081	S	12/2018	Luo		
D843,937	S *	3/2019	Xiao	.....	D13/108
D849,401	S	5/2019	Akana et al.		
D851,586	S *	6/2019	Liu	.....	D13/108
D853,357	S *	7/2019	Li	.....	D14/217
D864,861	S *	10/2019	Roberts	.....	D13/108
2006/0274493	A1 *	12/2006	Richardson	.....	A45C 13/002 361/679.4
2016/0084454	A1 *	3/2016	Svitak, Sr.	.....	A45C 13/02 362/183
2019/0208342	A1 *	7/2019	Higgins	.....	H04R 1/1025

## OTHER PUBLICATIONS

Newegg, “Waterproof Shockproof Case Silicone Full Protective Cover for Apple AirPods Case white”, Accessed Nov. 6, 2019. (<https://www.newegg.com/p/0X6-04S1-00V11>) (Year: 2019).\*

“Spigen Tough Armor iPhone SE/5S/5 Case with Extreme Heavy Duty Protection and Air Cushion Technology for iPhone SE/iPhone 5S/iPhone 5—Metal Slate”, <https://www.amazon.com/Spigen-Extreme-Protection-Cushion-Technology/dp/B00DMKGPP4>, Earliest review date of Aug. 1, 2013, Downloaded on Aug. 9, 2018.

“Spigen Tough Armor Galaxy S5 Case with Extreme Heavy Duty Protection and Air Cushion Technology for Samsung Galaxy S5 2014—Gunmetal”, <https://www.amazon.com/Spigen-Extreme-Protection-Cushion-Technology/dp/B00I3UWDV8>, Earliest review date of Mar. 9, 2014, Downloaded on Aug. 9, 2018.

“Spigen Tough Armor iPhone 6 Case with Extreme Heavy Duty Protection and Air Cushion Technology for iPhone 6S/iPhone 6—Smooth Black”, <https://www.amazon.com/Spigen-Extreme-Protection-Cushion-Technology/dp/B00NSSX23I>, Earliest review date of Aug. 14, 2014, Downloaded on Aug. 9, 2018.

“Spigen Tough Armor Galaxy Note 4 Case with Extreme Heavy Duty Protection and Air Cushion Technology for Samsung Galaxy Note 4 2014—Gunmetal”, <https://www.amazon.com/dp/B00MAWQU14>, Earliest review date of October 9, 2014, Downloaded on Aug. 31, 2018.

“Spigen Tough Armor Galaxy S6 Case with Kickstand and Air Cushion Techonology for Galaxy S6 2015—Gunmetal”, <https://www.amazon.com/dp/B00QU4PUKK>, Earliest review date of Mar. 23, 2015, Downloaded on Aug. 9, 2018.

“Rugged Armor Designed for Apple Watch Case for 42mm Series 3/Series 2/1/Original (2015)—Black”, <https://www.amazon.com/Spigen-Rugged-Resilient-Absorption-Original/dp/B00UVSNQPM>, Earliest review date of Apr. 30, 2015, Downloaded on Jan. 15, 2019.

“Spigen Tough Armor Designed for Apple Watch Case and Built in Screen Protector for 42mm (2015)—Gunmetal”, <https://www.amazon.com/Spigen-Extreme-Protection-Screen-Protector/dp/B00UVSOWBY>, Earliest review date of May 7, 2015, Downloaded on Jan. 15, 2019.

“Spigen Tough Armor iPhone 6S Case with Extreme Heavy Duty Protection and Air Cushion Technology for iPhone 5S/iPhone 6—Rose Gold”, <https://www.amazon.com/dp/B013TKNNGK>, Earliest review date of Aug. 30, 2015, Downloaded on Aug. 8, 2018.

“Spigen Tough Armor Galaxy S7 Case with Extreme Heavy Duty Protection and Air Cushion Technology for Samsung Galaxy S7 2016—Gunmetal”, <https://www.amazon.com/dp/B01A7ID3PS>, Earliest review date of Feb. 25, 2016, Downloaded on Aug. 9, 2018.

“Spigen Tough Armor iPhone 7 Case with Jet Black Optimized Color and Extreme Heavy Duty Protection and Air Cushion Technology for iPhone 7 2016—Jet Black”, <https://www.amazon.com/>

Spigen-Optimized-Extreme-Protection-Technology/dp/B01LRSFLFM, Earliest review date of Sep. 25, 2016, Downloaded on Aug. 9, 2018.

“Spigen Tough Armor Designed for Apple Watch Case for 42mm Series 3 / Series 2/1 / Original (2015) / Nike+ Sport Edition and Built in Screen Protector—Gunmetal”, <https://www.amazon.com/dp/B01N74P26H>, Earliest review date of Jan. 4, 2017, Downloaded on Jan. 15, 2019.

“Spigen Rugged Armor Extra Designed for LG G6 Case (2017) / Designed for LG G6 Plus (2017)—Black”, <https://www.amazon.com/Spigen-Rugged-Resilient-Absorption-Carbon/dp/B01N6T9PHS>, Earliest review date of Mar. 28, 2017, Downloaded on Jan. 9, 2020.

“Spigen Tough Armor Galaxy S8 Case with Kickstand and Extreme Heavy Duty Protection and Air Cushion Technology for Samsung Galaxy S8 (2017)—Black”, <http://www.amazon.com/dp/B0716CZ3Z1>, Earliest review date of Apr. 9, 2017, downloaded on Aug. 9, 2018.

Spigen, “Spigen Rugged Armor Extra”, <https://www.youtube.com/watch?v=ILUEjnP2hk>, Published on May 26, 2017, Downloaded on Jan. 9, 2020.

“Spigen Rugged Armor Extra Galaxy Temp Case with Resilient Shock Absorption and Carbon Fiber Design for Galaxy Temp (2017)—Black”, <https://www.amazon.com/Spigen-Rugged-Galaxy-Resilient-Absorption/dp/B01MTEQVNB>, Earliest review date of Jul. 6, 2017, Downloaded on Jan. 9, 2020.

“Spigen Rugged Crystal Designed for Samsung Galaxy Note 8 Case (2017)—Crystal Clear”, <https://www.amazon.com/Spigen-Rugged-Crystal-Designed-Samsung/dp/B073RWTZ5M>, Earliest review date of Aug. 30, 2017, Downloaded on Jan. 9, 2020.

“Spigen Tough Armor [2nd Generation] iPhone 8 Case/iPhone 7 Case with Kickstand and Heavy Duty Protection and Air Cushion Technology for Apple iPhone 8 (2017)/iPhone 7 (2016)—Gunmetal”, <http://www.amazon.com/dp/B07482KVD3>, Earliest review date of Sep. 2, 2017, downloaded on Aug. 9, 2018.

“Spigen Rugged Armor Extra Designed for Apple iPhone 7 Case (2016)—Black”, <https://www.amazon.com/Spigen-Rugged-iPhone-Resilient-Absorption/dp/B06XC8WL7P>, earliest review date of Sep. 7, 2017, downloaded on Jan. 9, 2020.

“Spigen Tough Armor [2nd Generation] Designed for Apple Watch Case for 42mm Series 3 / Series 2 / Nike+ Sport Edition—Black”, <https://www.amazon.com/Spigen-Tough-Armor-Generation-Designed/dp/B075FJT3FK>, Earliest review date of Dec. 30, 2017, downloaded on Jan. 15, 2019.

“Spigen Tough Armor [2nd Generation] for Apple Watch Case 38mm with Extreme Heavy Duty Protection and No Built in Screen Protector for Apple Watch Series 3 / Series 2 / Nike+ Sport Edition—Matte Black”, <https://www.amazon.com/Spigen-Generation-Extreme-Protection-Protector/dp/B075FL41B5>, Earliest review date of Jan. 6, 2017, downloaded on Jan. 15, 2019.

“Spigen Tough Armor Galaxy S9 Plus Case with Reinforced Kickstand and Heavy Duty Protection and Air Cushion Technology for Samsung Galaxy S9 Plus (2018)—Lilac Purple”, <http://www.amazon.com/dp/B078BBPY98>, Earliest review date of Mar. 1, 2018, downloaded on Jan. 15, 2019.

“Spigen Apple Watch 38mm Slim Armor Case—Space Gray”, <https://www.amazon.com/Spigen-Apple-Watch-38mm-Armor/dp/B076CDNZ4V>, Earliest review date of Mar. 9, 2018, downloaded on Jan. 16, 2019.

Unlockboot, “8 Best AirPods Cases Reviewed—Protective AirPods Covers”, <https://www.unlockboot.com/best-airpods-cases/>, Published on Aug. 22, 2018, Downloaded on Feb. 24, 2020.

Allison Bowsher, “These AirPod Cases Survive Big Drops—Even in the Water”, <https://spy.com/articles/gadgets/mobile/best-airpods-cases-waterproof-amazon-148420/>, Published on Jan. 2, 2019, Downloaded on Feb. 24, 2020.

\* cited by examiner

FIG. 1

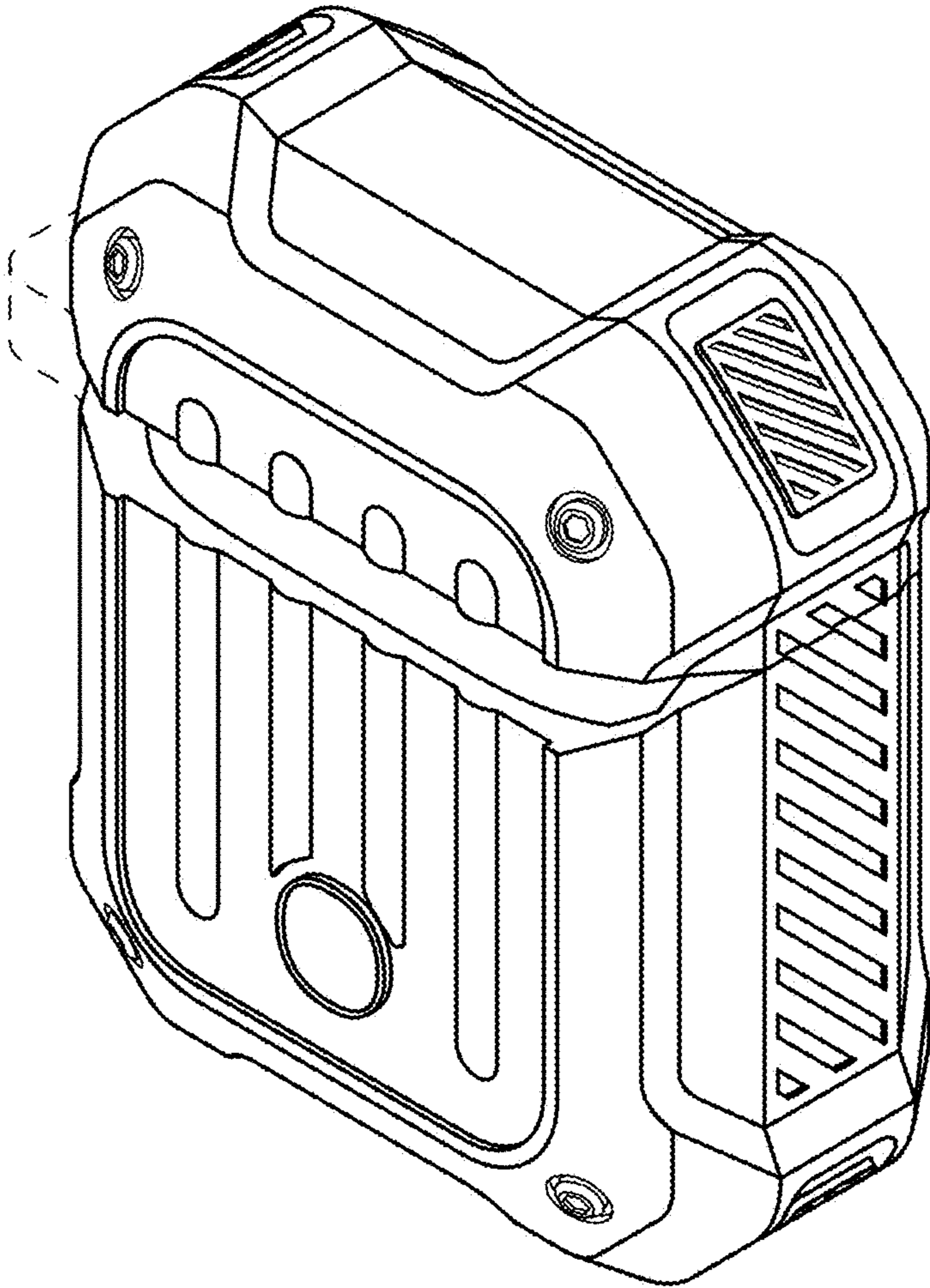




FIG. 2

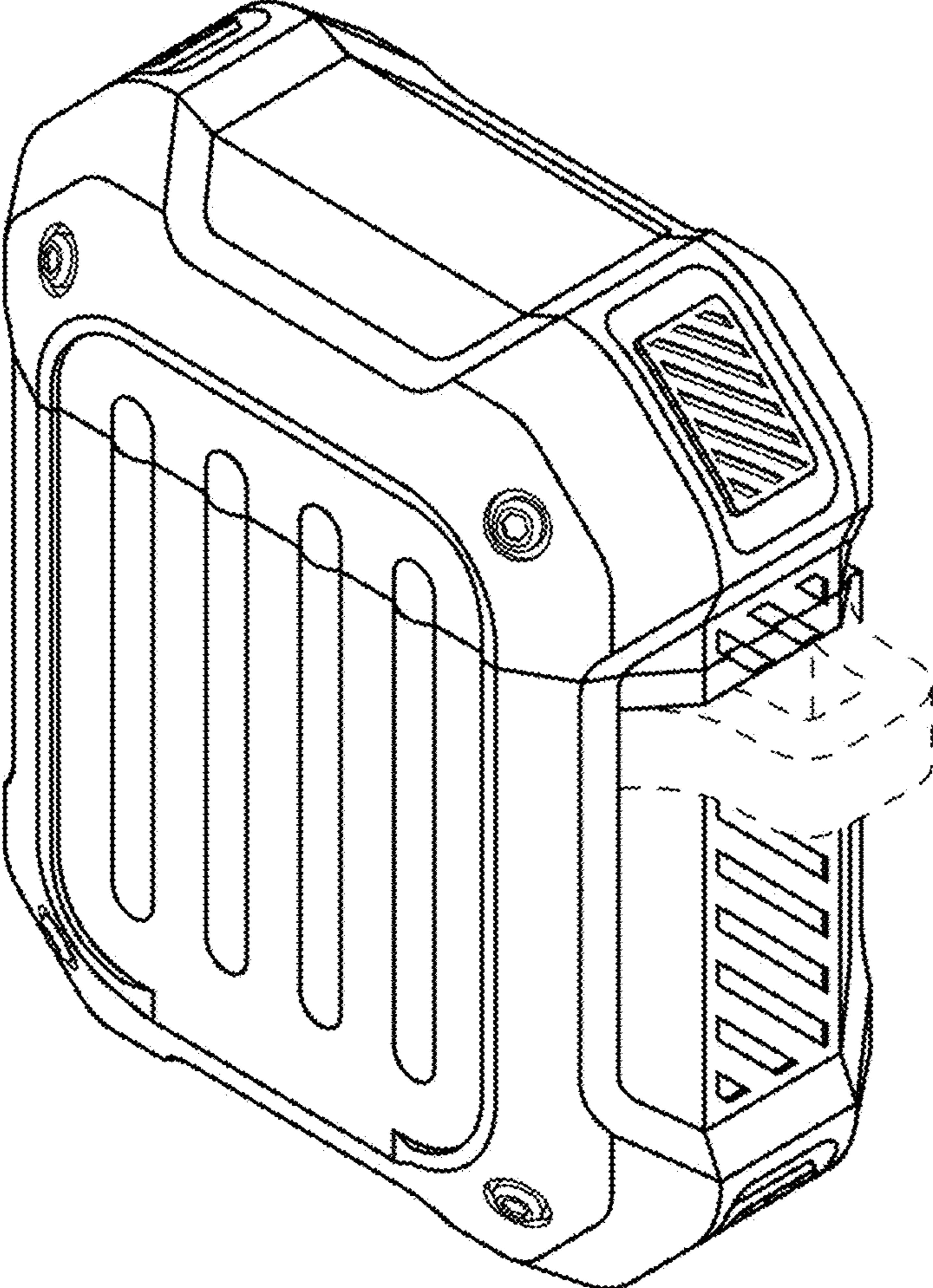


FIG. 3

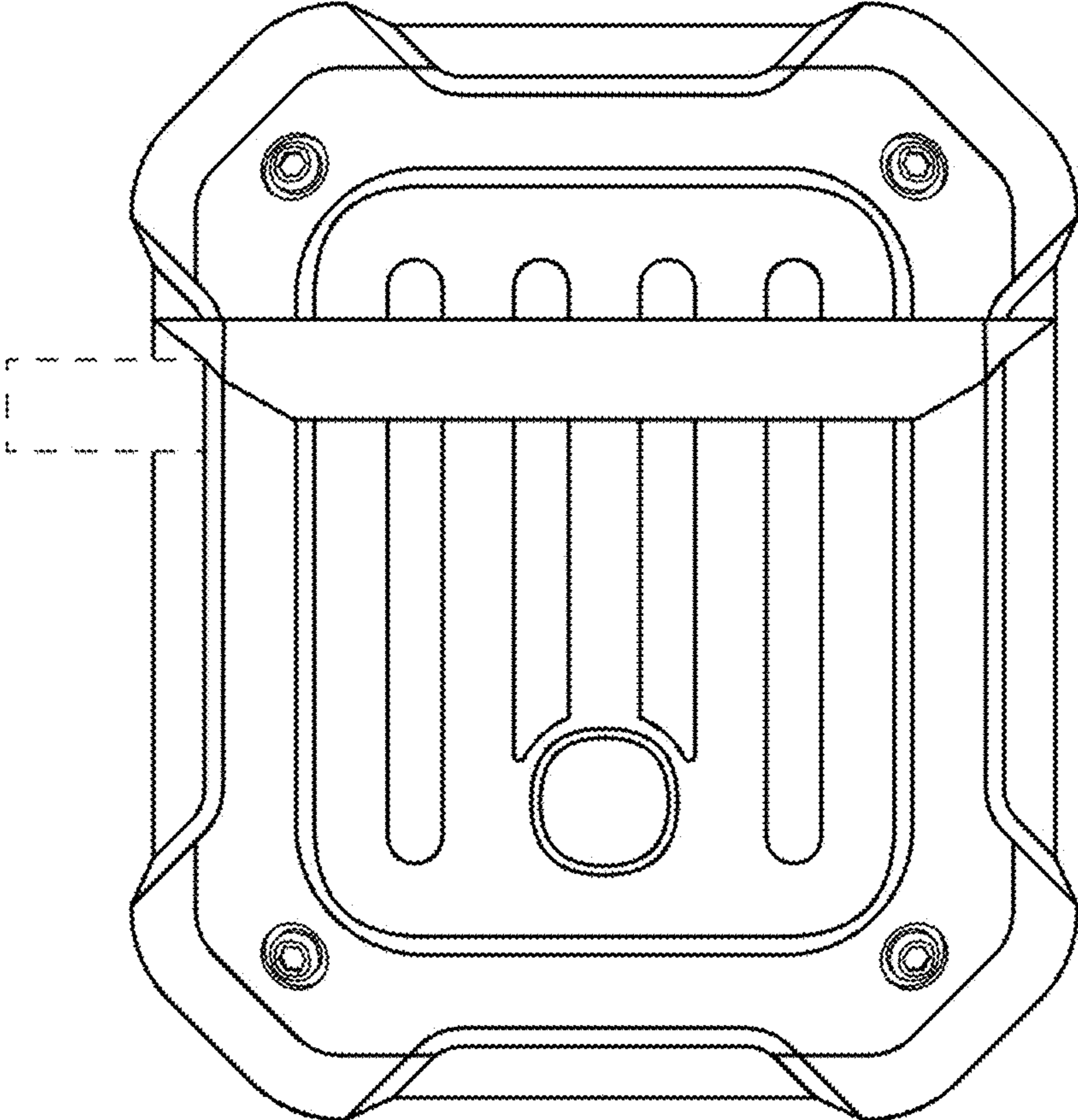


FIG. 4

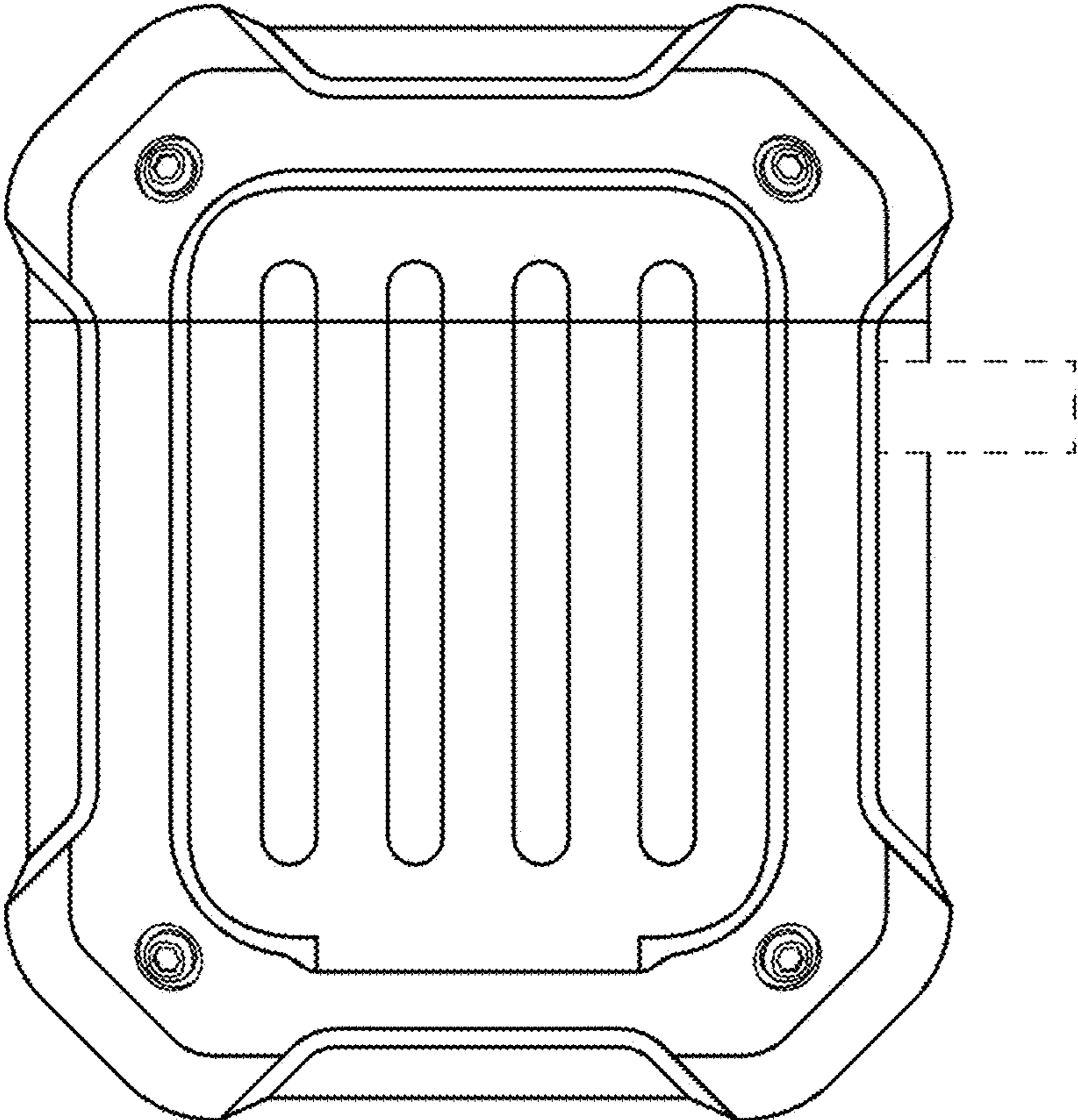


FIG. 5

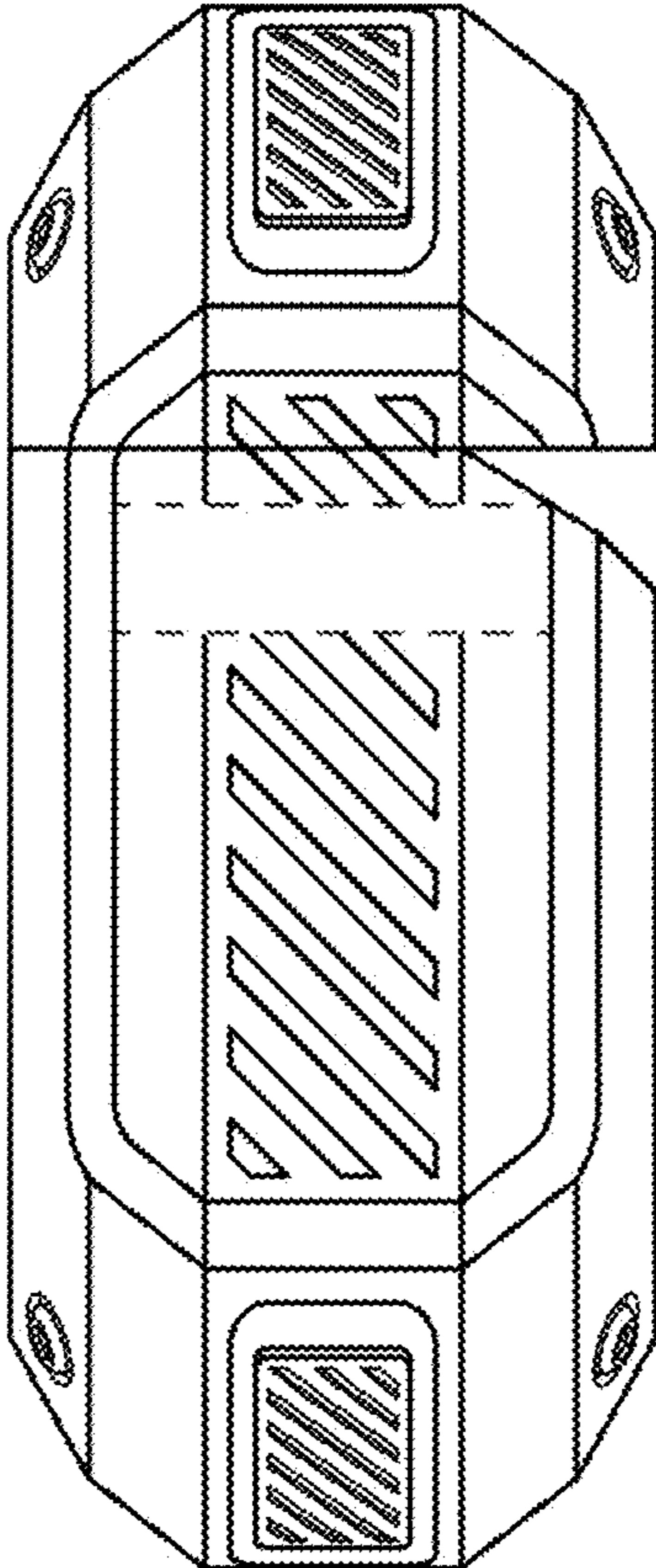


FIG. 6

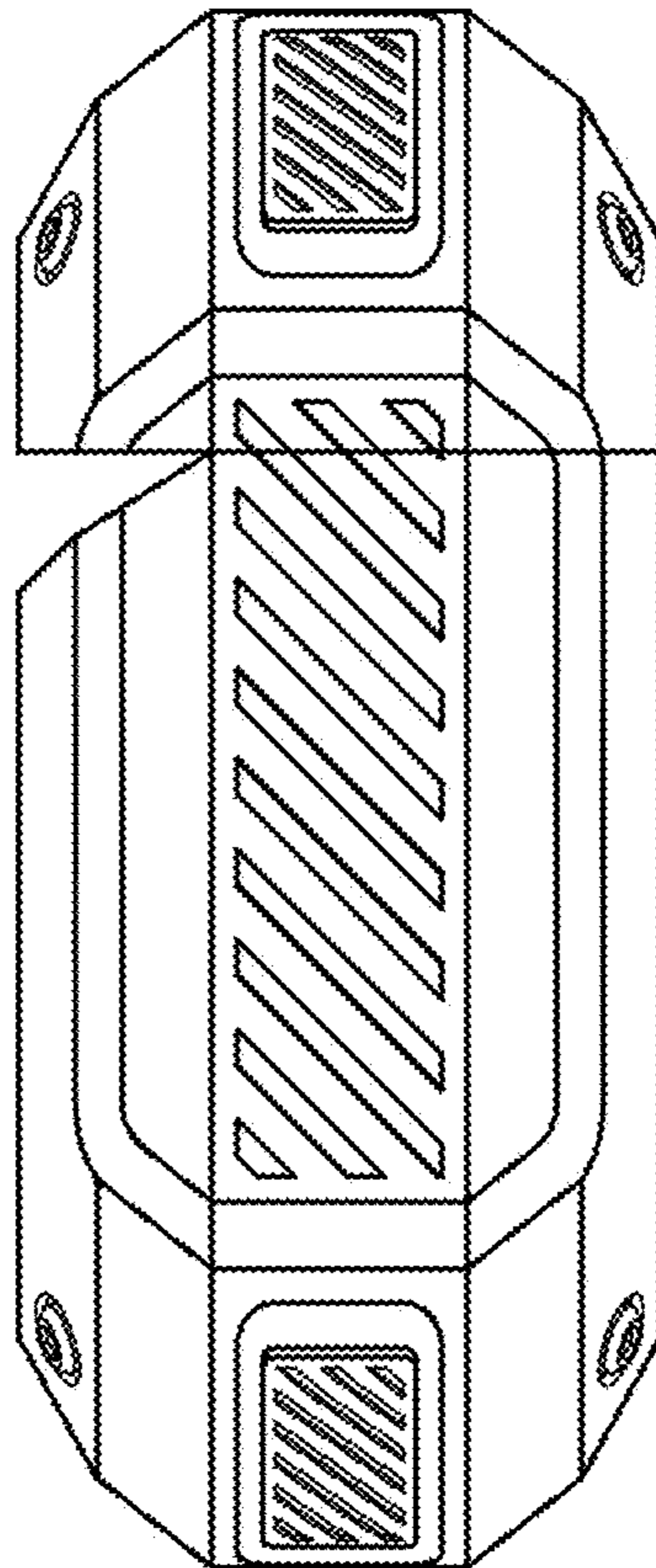




FIG. 7

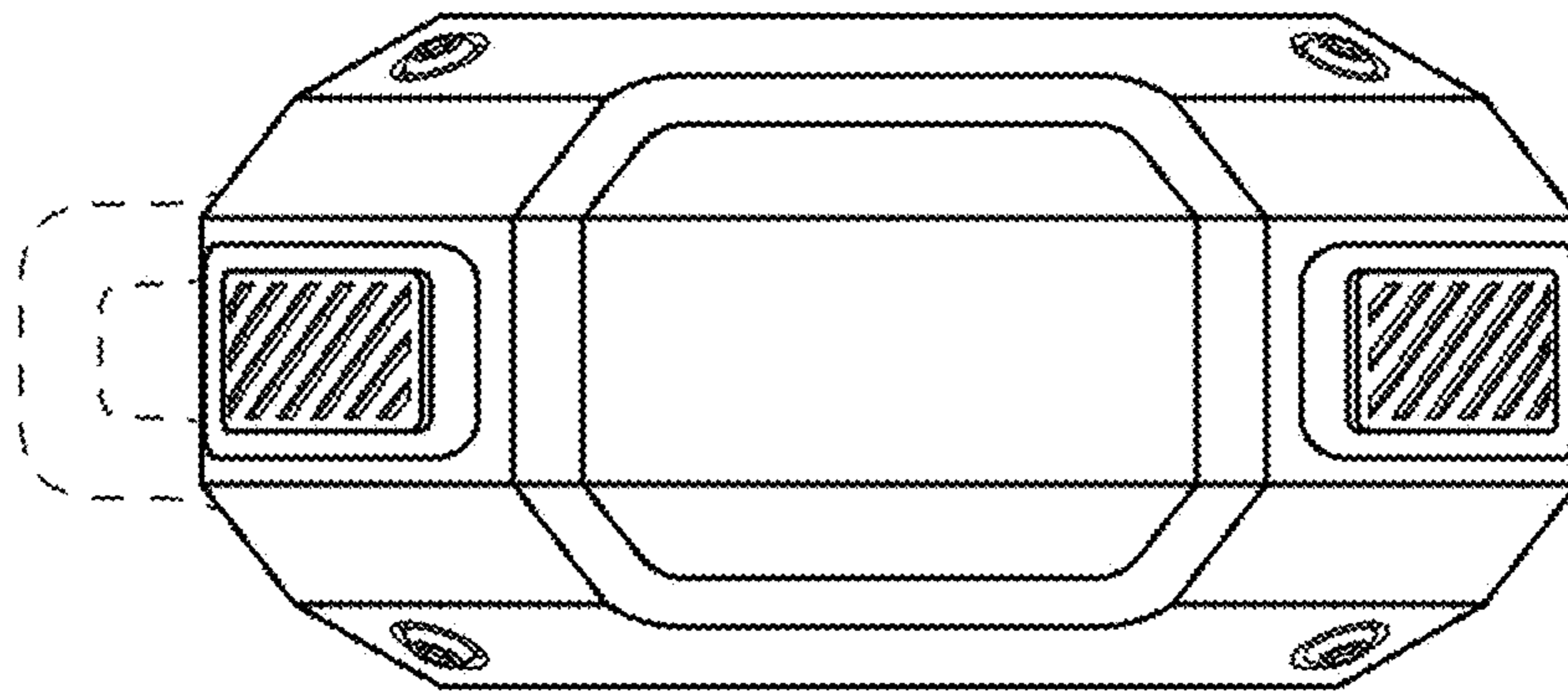


FIG. 8

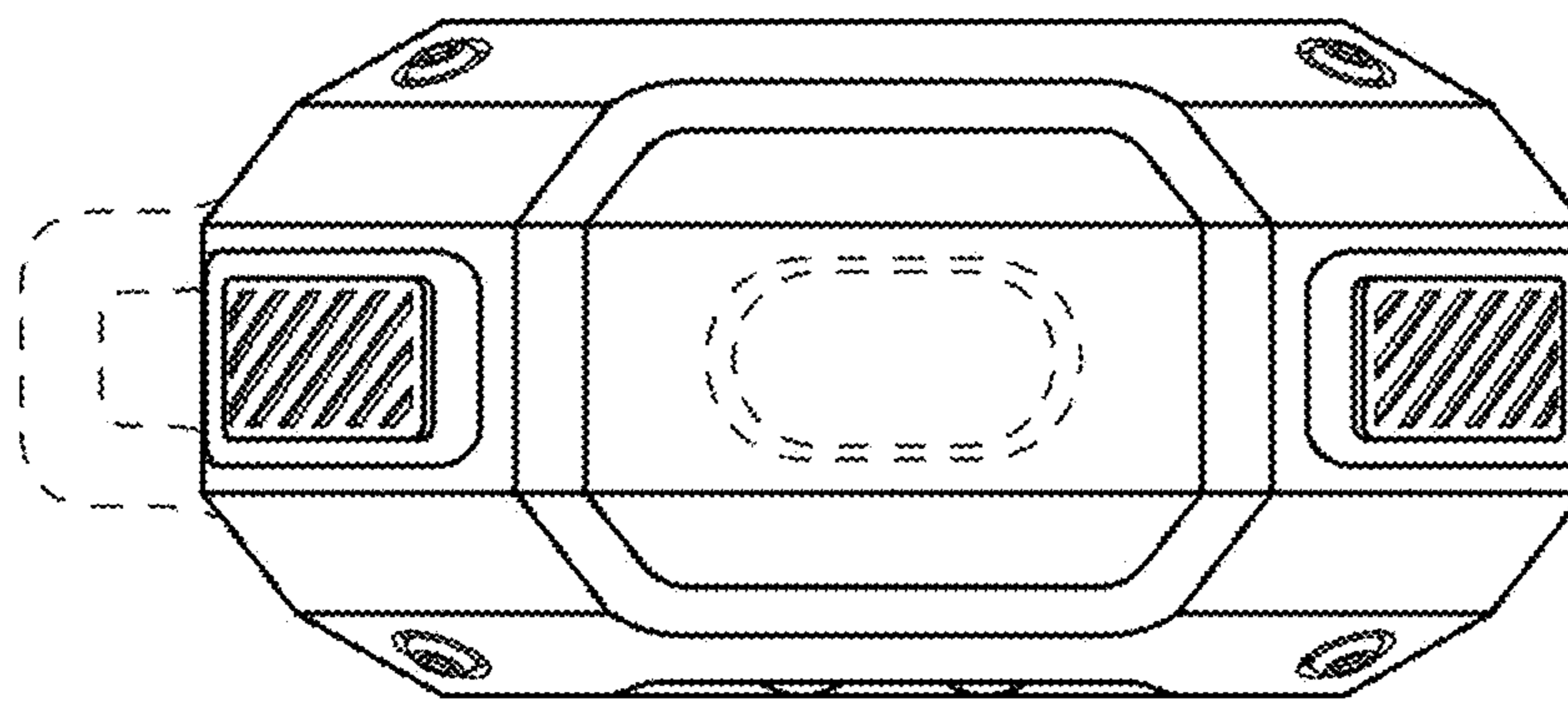


FIG. 9

