



US00D887138S

(12) **United States Design Patent** (10) **Patent No.:** **US D887,138 S**
Feng (45) **Date of Patent:** **** Jun. 16, 2020**

(54) **TOOLBOX** D811,742 S * 3/2018 Ballou D3/276
D811,744 S * 3/2018 Ballou D3/279
(71) Applicant: **Enping YiFeng Plastic & Mould Co.,** D815,831 S * 4/2018 Tonelli D3/279
Ltd., Jiangmen, Guangdong Province D819,331 S * 6/2018 Ballou D3/276
(CN) D857,386 S * 8/2019 Shpitzer D3/279
2014/0197059 A1* 7/2014 Evans B25H 3/02
206/349

(72) Inventor: **Ruining Feng, Jiangmen (CN)**

(73) Assignee: **Enping YiFeng Plastic & Mould Co.,**
Ltd., Jiangmen (CN)

(**) Term: **15 Years**

(21) Appl. No.: **29/671,350**

(22) Filed: **Nov. 27, 2018**

(30) **Foreign Application Priority Data**

Sep. 21, 2018 (CN) 2018 3 0532960

(51) **LOC (12) Cl.** **03-01**

(52) **U.S. Cl.**
USPC **D3/279; D3/905**

(58) **Field of Classification Search**
USPC D3/273, 274, 276, 279, 281, 282, 291,
D3/294, 298, 905, 302, 272, 289
CPC B65D 21/0233; B65D 21/0222;
B25H 3/003; B25H 3/006; B25H 3/02;
B25H 3/023; H02G 3/10; H02G 3/12
See application file for complete search history.

(56) **References Cited**

U.S. PATENT DOCUMENTS

D441,954 S * 5/2001 Parker D3/273
D462,519 S * 9/2002 Gaydos D3/276
D467,425 S * 12/2002 Hardigg D3/276
D467,426 S * 12/2002 Hardigg D3/276
D810,432 S * 2/2018 Ballou D3/276
D810,433 S * 2/2018 Ballou D3/276
D811,084 S * 2/2018 Ballou D3/276

OTHER PUBLICATIONS

TaoBao, “安全拉桿攝影箱儀器設備箱工具箱防護箱抗摔壓單眼鏡頭防水防潮箱”, Accessed Nov. 5, 2019. (<https://world.taobao.com/item/551463961742.htm?spm=a21wu.10013406-tw.0.0.2554225fSRSzkT>) (Year: 2019).*

* cited by examiner

Primary Examiner — April Rivas

(74) *Attorney, Agent, or Firm* — Porter, Wright, Morris & Arthur, LLP

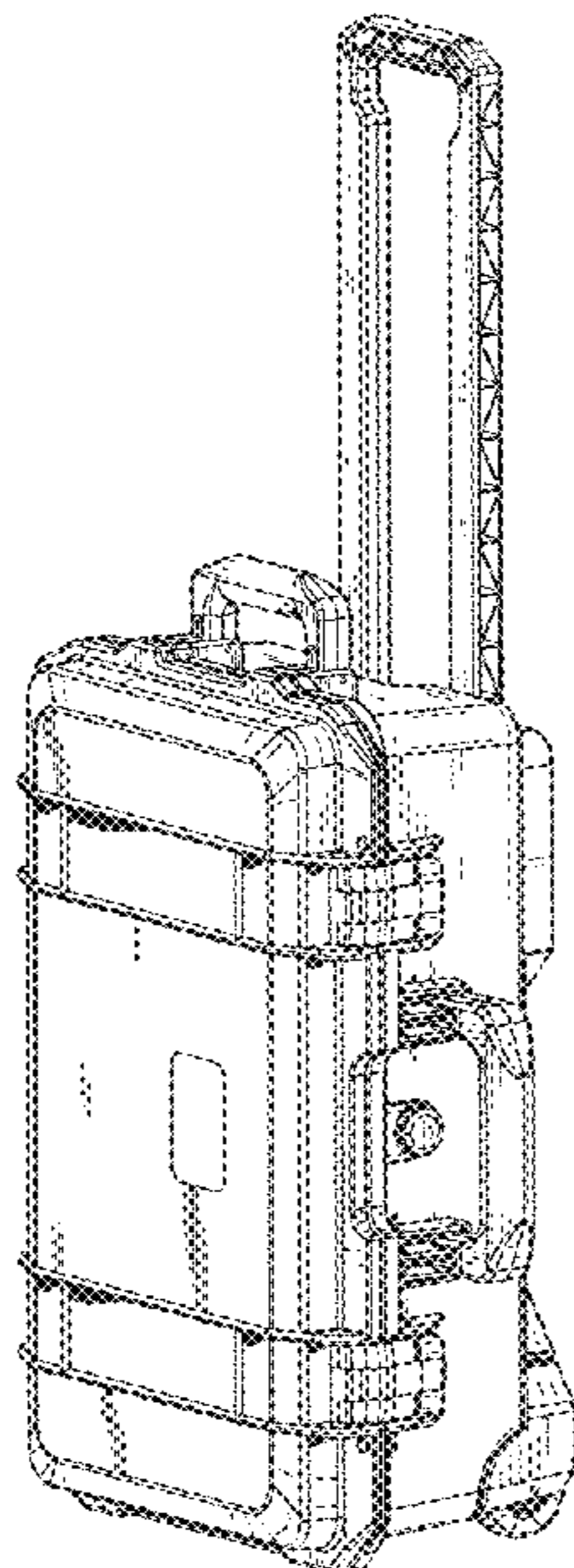
(57) **CLAIM**

I claim the ornamental design for a toolbox, as shown and described.

DESCRIPTION

FIG. 1 is a front view of a toolbox showing my new design; FIG. 2 is a rear perspective view thereof; FIG. 3 is a left-side view thereof; FIG. 4 is a right-side view thereof; FIG. 5 is a top view thereof; FIG. 6 is a bottom view thereof; FIG. 7 is a front perspective view thereof; and, FIG. 8 is a rear perspective view thereof. The shade lines shown in the drawings represent the contour of the surfaces and not surface ornamentation. The broken lines illustrate portions of the toolbox and form no part of the claimed design.

1 Claim, 8 Drawing Sheets



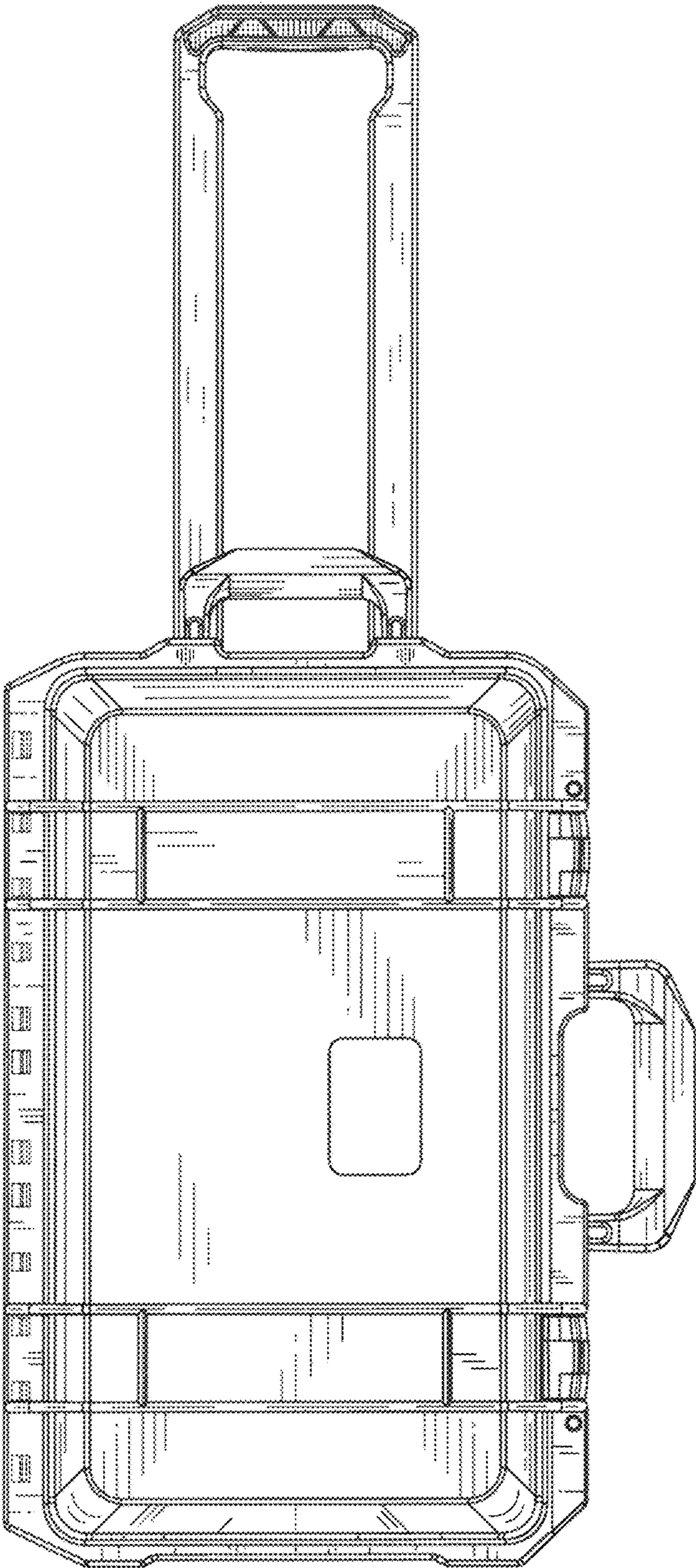


FIG. 1

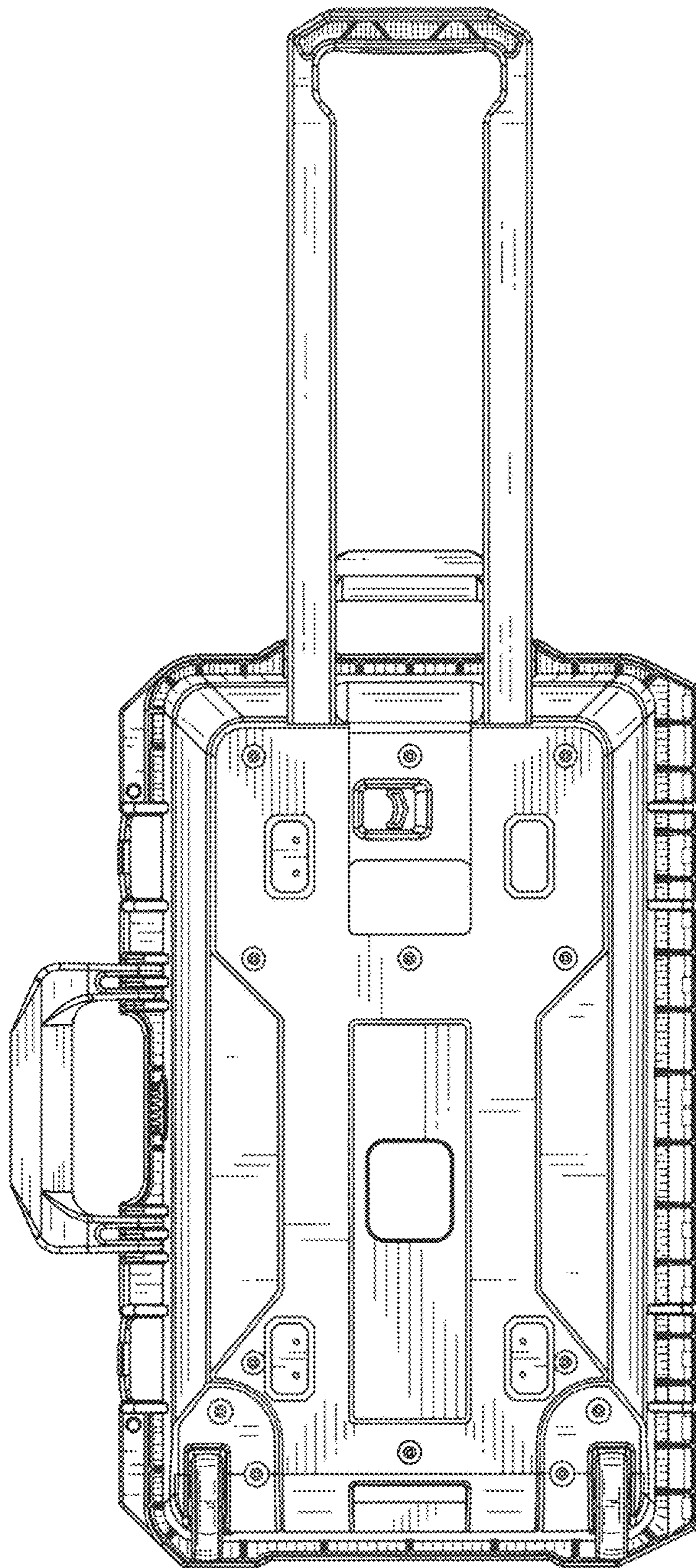


FIG. 2

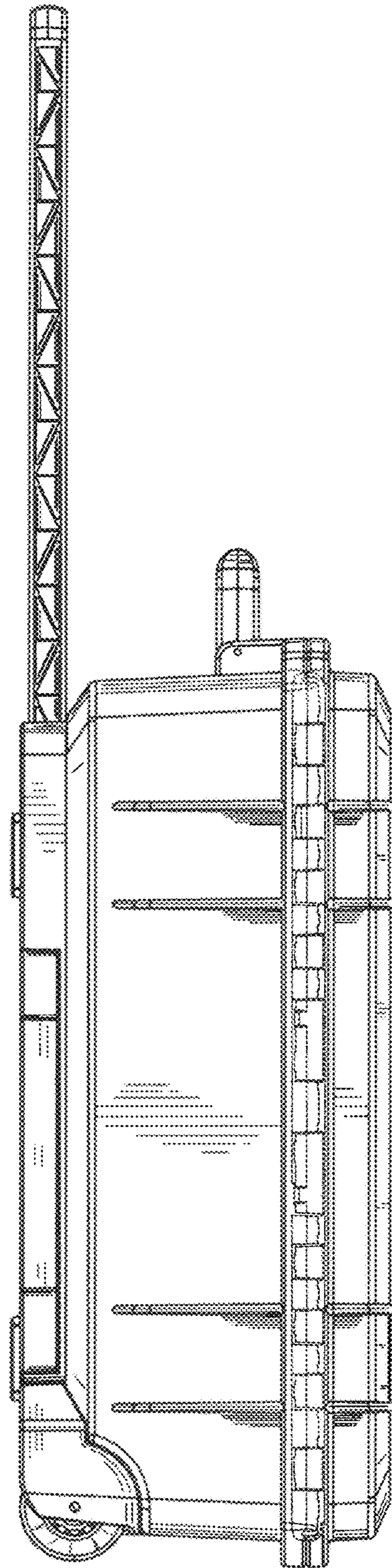


FIG. 3

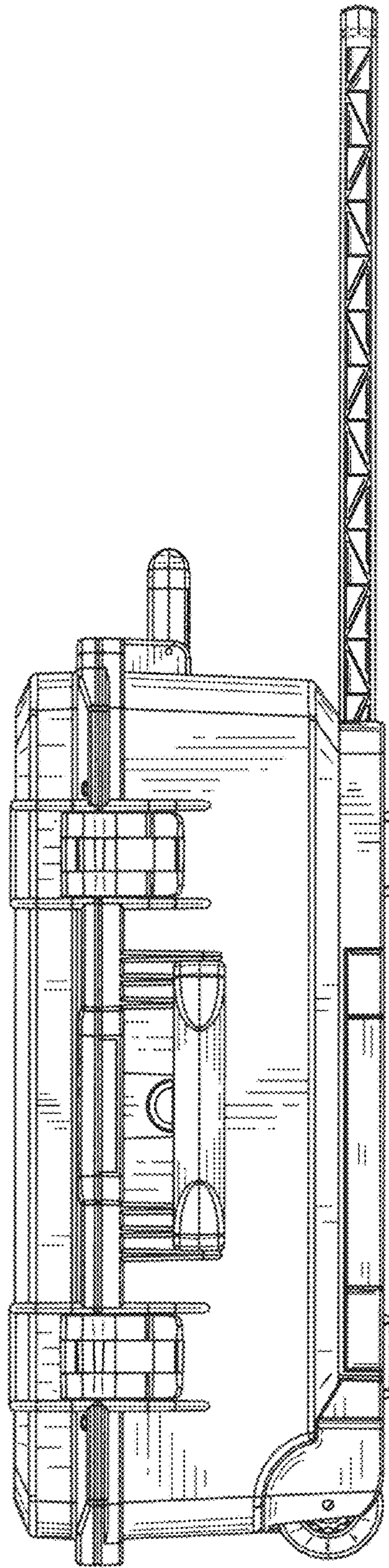


FIG. 4

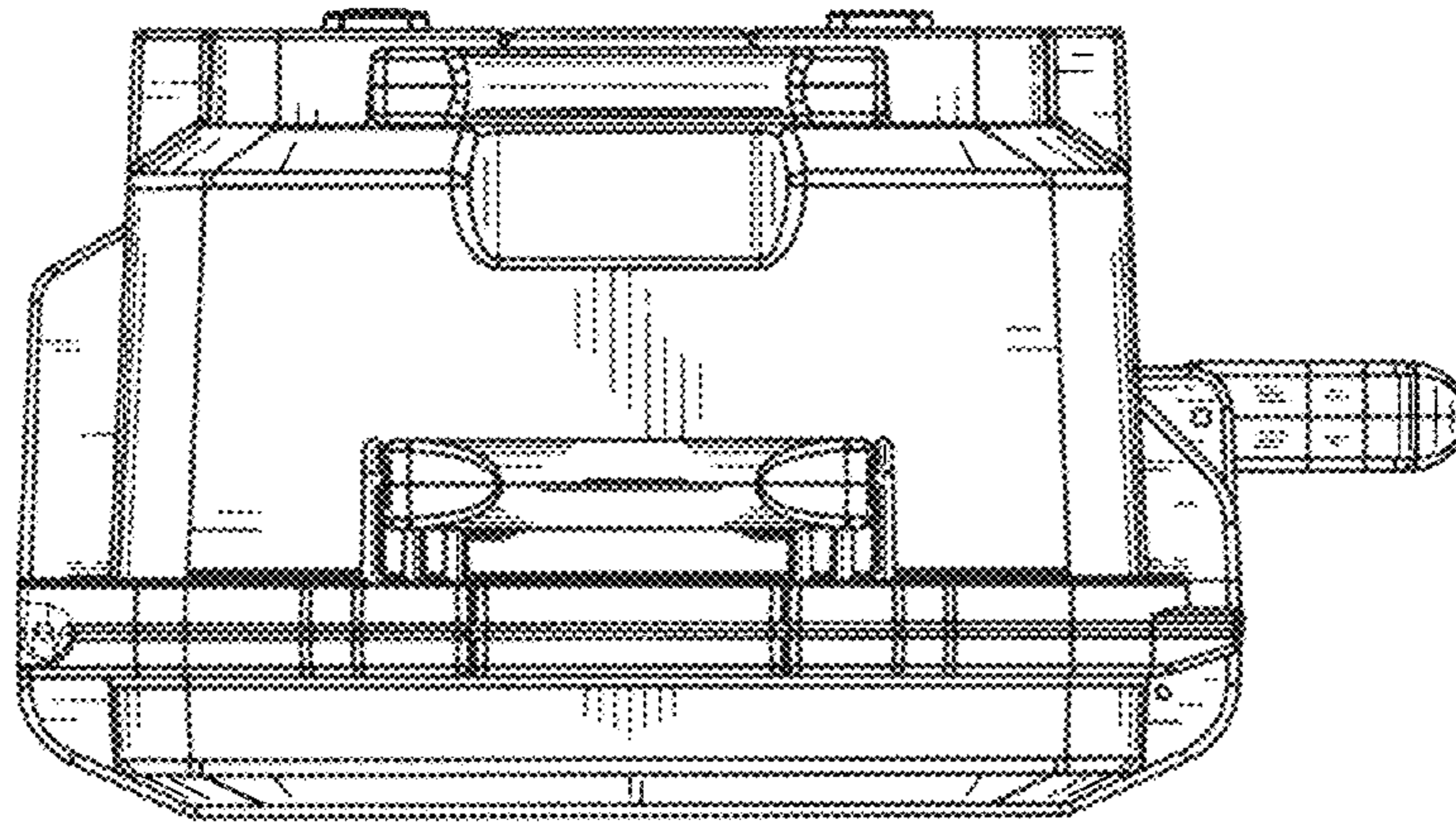


FIG. 5

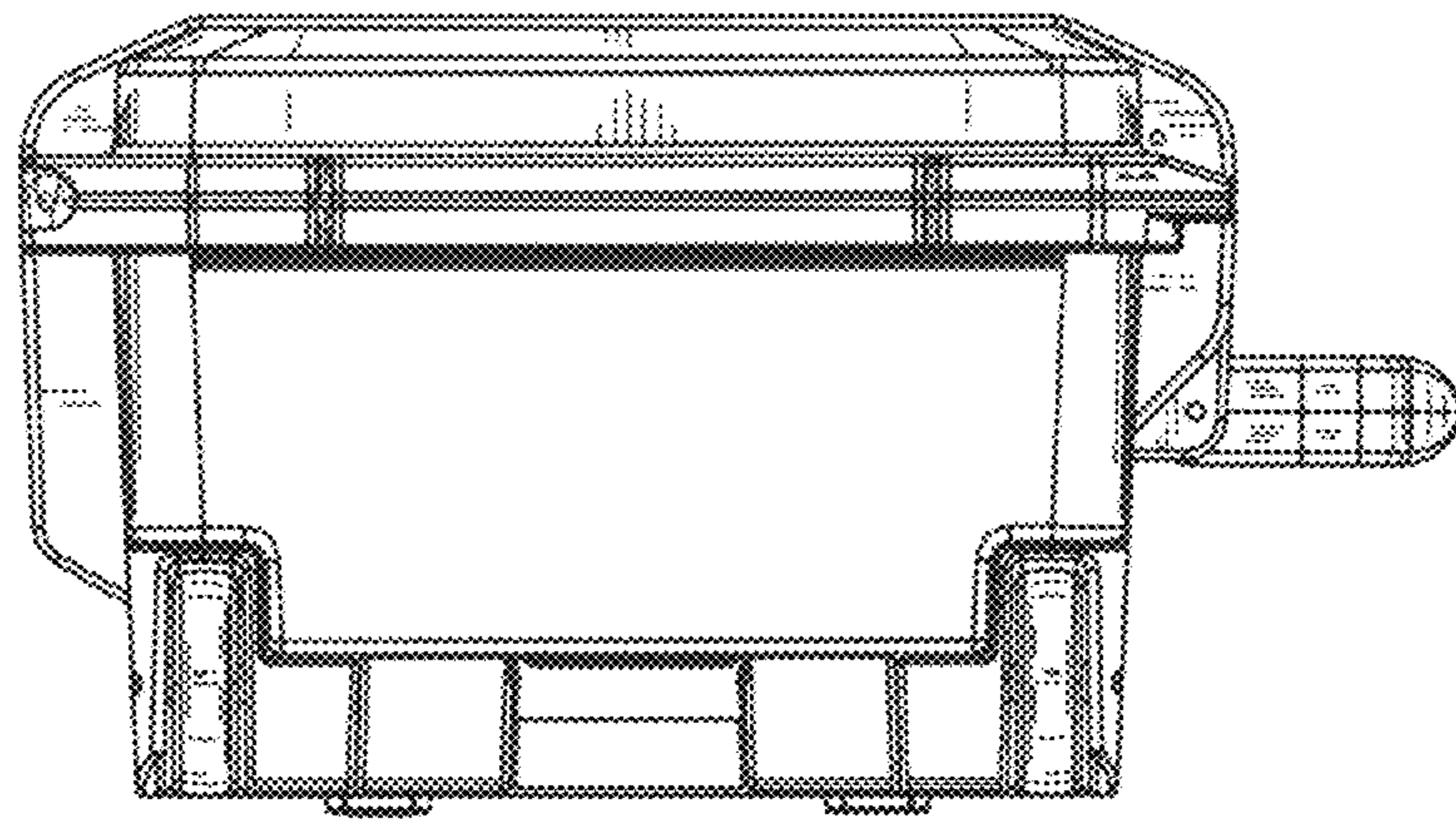


FIG. 6

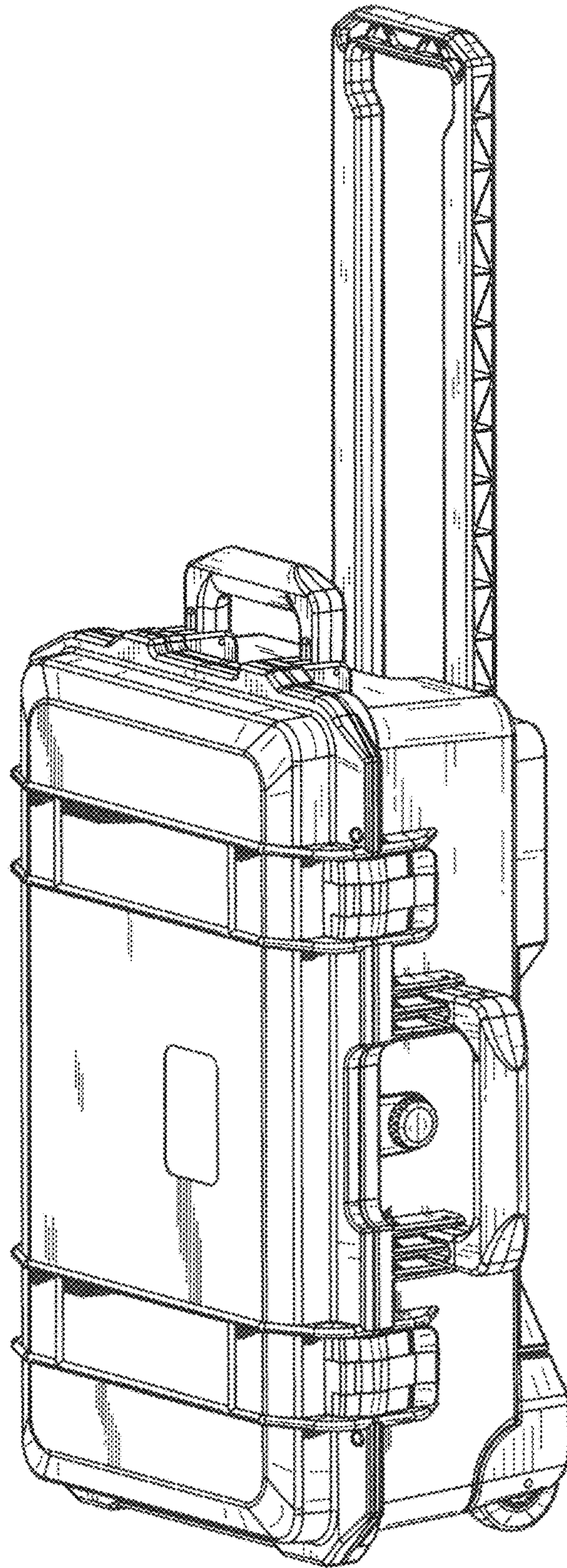


FIG. 7

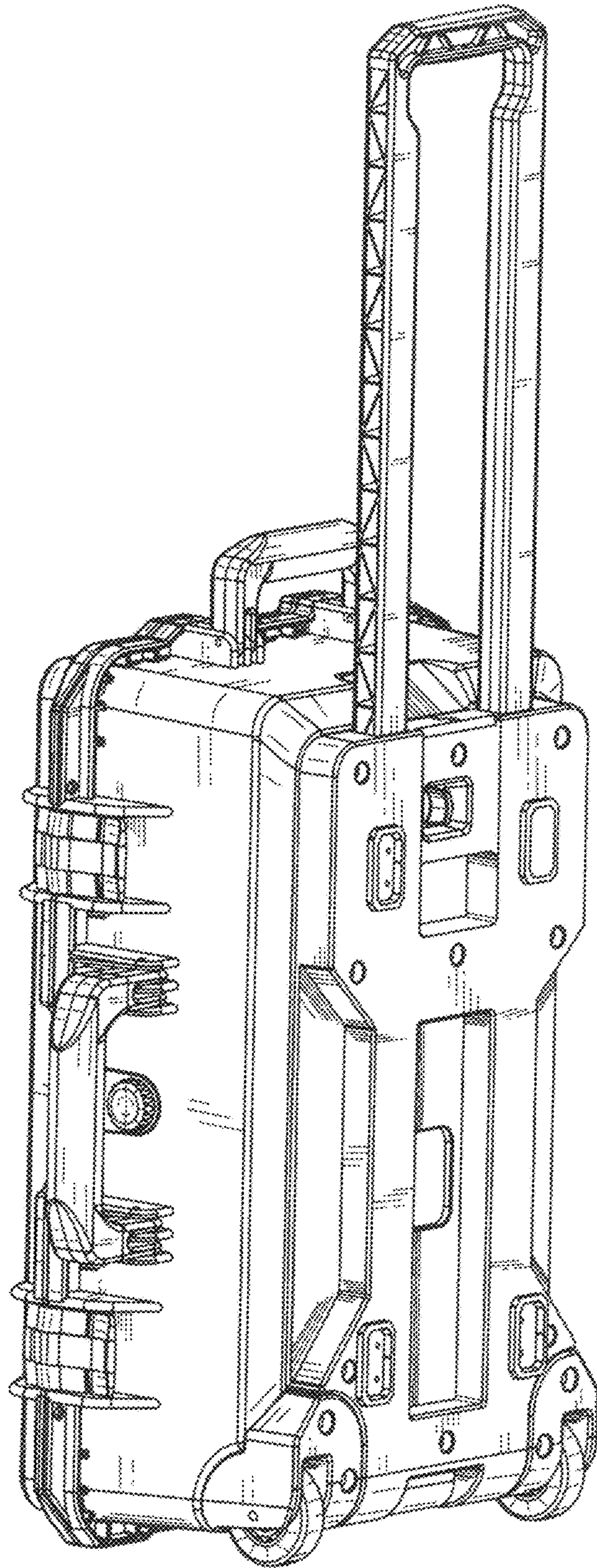


FIG. 8