



US00D887137S

(12) **United States Design Patent** (10) **Patent No.:** **US D887,137 S**
Burek et al. (45) **Date of Patent:** **** Jun. 16, 2020**

(54) **CHILD-RESISTANT STORAGE CASE**
(71) Applicant: **Edibles Engineering LLC**, Denver, CO (US)
(72) Inventors: **Paul Phillip Burek**, Centennial, CO (US); **William Edward Ludlow**, Denver, CO (US)
(73) Assignee: **CRATIV Solutions, Inc.**, Denver, CO (US)
(**) Term: **15 Years**
(21) Appl. No.: **29/636,311**
(22) Filed: **Feb. 7, 2018**
(51) **LOC (12) Cl.** **03-01**
(52) **U.S. Cl.**
USPC **D3/273**
(58) **Field of Classification Search**
USPC D3/272, 273, 274, 275, 276, 281, 284, D3/292, 294, 306; D9/414, 418, D9/420-423, 432
CPC .. A45C 5/00; A45C 5/04; A45C 11/00; A45C 11/16
See application file for complete search history.

(56) **References Cited**
U.S. PATENT DOCUMENTS
3,749,230 A 7/1973 Foster
3,907,103 A 9/1975 Shaw
4,043,448 A 8/1977 Tanaka
4,048,050 A 9/1977 Hillman
4,364,488 A 12/1982 Anjou
4,730,731 A 3/1988 Allison
4,890,742 A 1/1990 Allison
5,080,222 A 1/1992 McNary
5,740,938 A 4/1998 Hofmann et al.
6,021,901 A 2/2000 Wolfe
D438,007 S * 2/2001 Holland D3/299
D465,921 S * 11/2002 Northrop D3/273

D487,192 S * 3/2004 Farnham D3/294
D489,530 S * 5/2004 Lindsay D3/273
6,832,686 B2 12/2004 Donegan
D527,182 S * 8/2006 Ham D3/274
D576,790 S * 9/2008 Swan D3/201
D592,398 S * 5/2009 Roesler D3/294
7,549,541 B2 6/2009 Brozell et al.
(Continued)

OTHER PUBLICATIONS

Cabela's, "Fly Fishing" catalog, pp. 1 and 76-79, Mar. 2016, Sidney, NE.
(Continued)

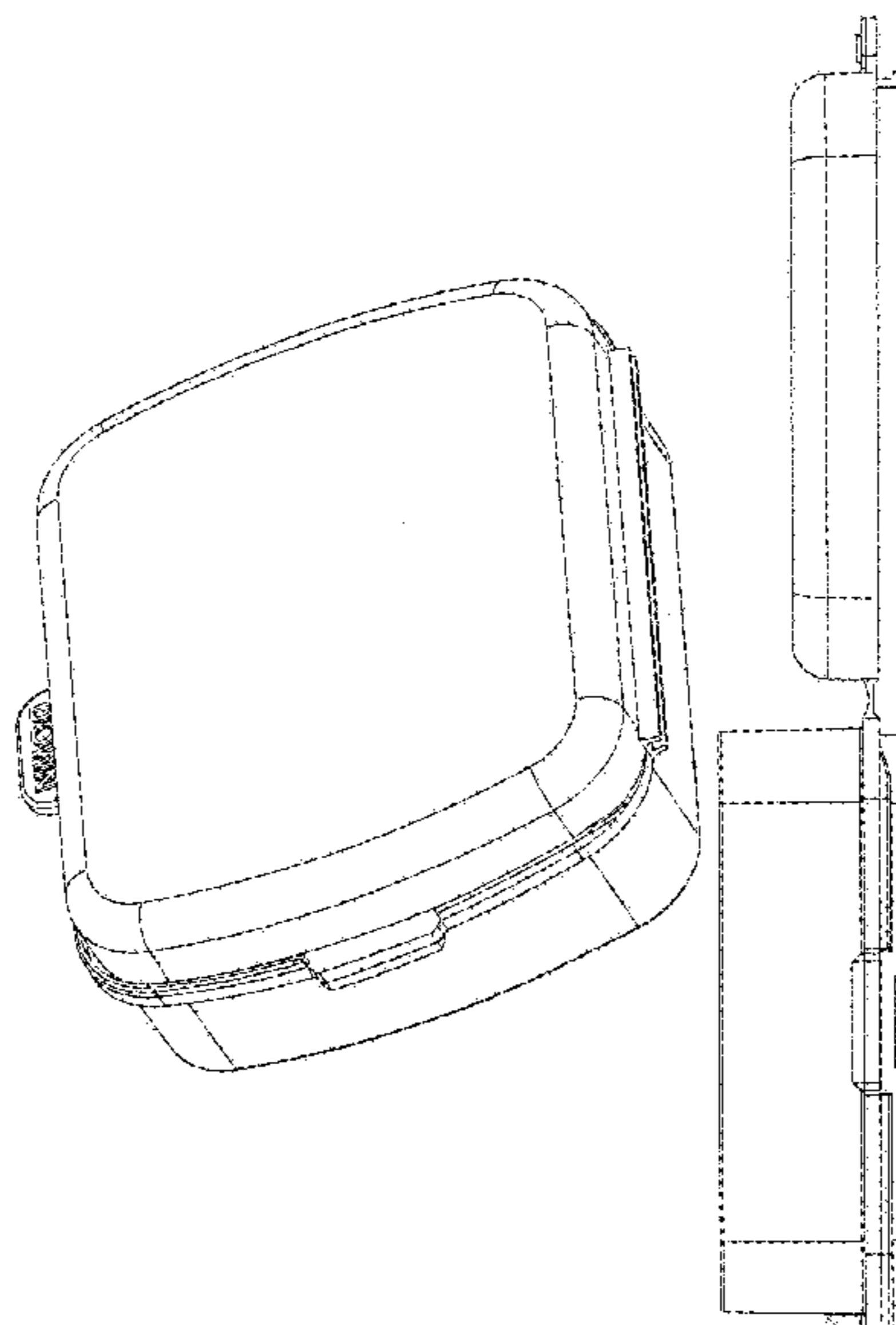
Primary Examiner — Holly E Thurman
(74) *Attorney, Agent, or Firm* — Dorr, Carson & Birney PC

(57) **CLAIM**
The ornamental design for a child-resistant storage case, as shown and described.

DESCRIPTION

FIG. 1 is a top axonometric view of a child-resistant storage case showing our new design.
FIG. 2 is a rear elevational view thereof.
FIG. 3 is a top plan view thereof.
FIG. 4 is a front elevational view thereof.
FIG. 5 is a bottom plan view thereof.
FIG. 6 is a right side elevational view thereof, with the left side elevational view being a mirror image of FIG. 6.
FIG. 7 is a rear elevational view thereof with the lid open.
FIG. 8 is a top plan view thereof with the lid open.
FIG. 9 is a front elevational view thereof with the lid open.
FIG. 10 is a right side elevational view thereof with the lid open, with the left side elevational view being a mirror image of FIG. 10; and,
FIG. 11 is a bottom plan view thereof with the lid open.

1 Claim, 11 Drawing Sheets



(56)

References Cited

U.S. PATENT DOCUMENTS

7,757,843 B2 7/2010 Katsis
D636,182 S * 4/2011 Yang D3/294
D666,811 S * 9/2012 Yang D3/247
D673,769 S * 1/2013 Gorman D3/203.3
8,875,877 B2 11/2014 Cottle et al.
D761,023 S * 7/2016 Tramontana D3/203.1
D784,629 S * 4/2017 Farrish D3/273
D829,213 S * 9/2018 Szeremeta D14/432
D852,506 S * 7/2019 Clayton D3/294
D855,323 S * 8/2019 Kennelly D3/299
2009/0255842 A1 10/2009 Brozell et al.

OTHER PUBLICATIONS

Photo of a prior art fishing tackle case purchased from Bass Pro Shop (2016).

* cited by examiner

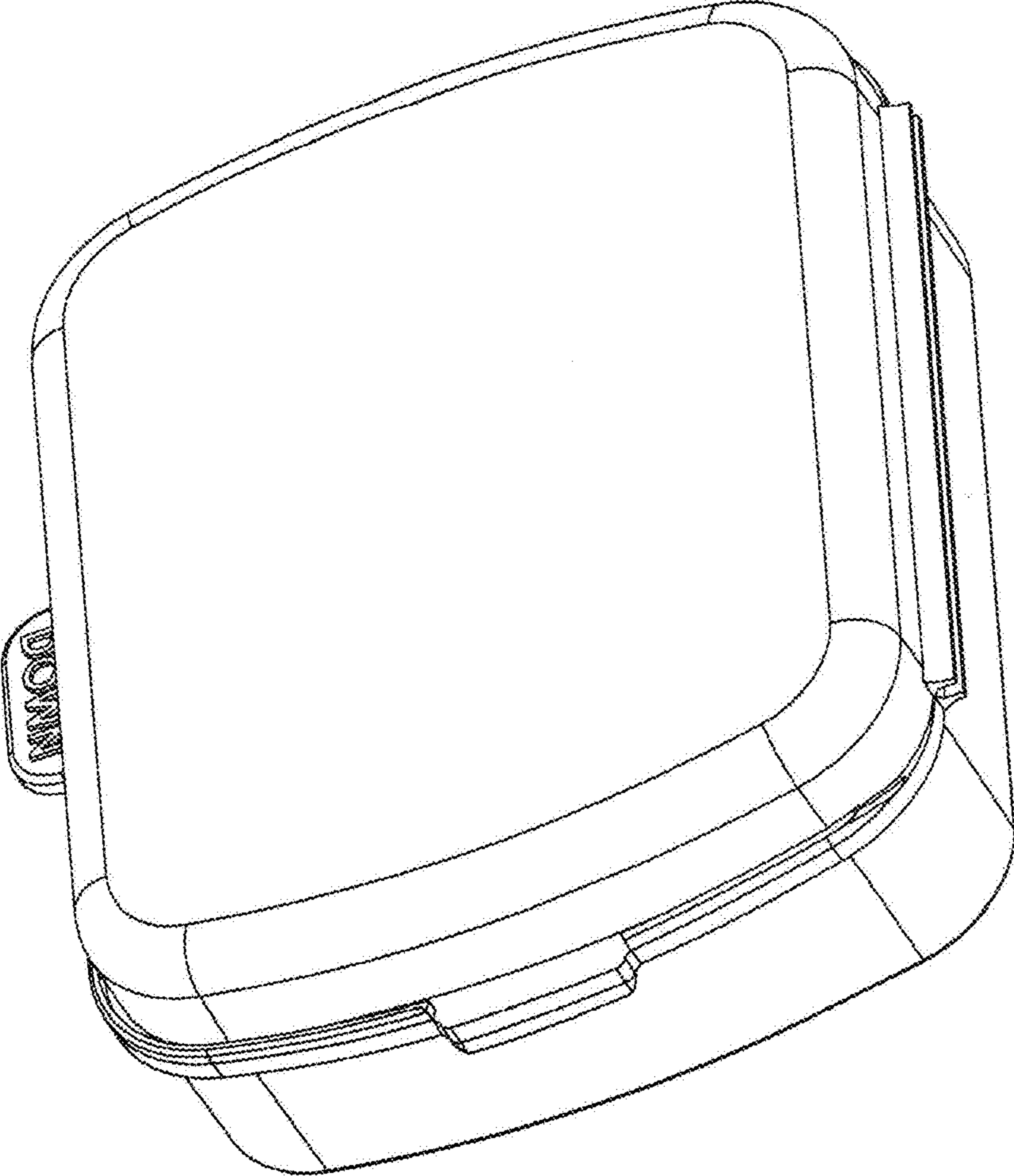


Fig. 1

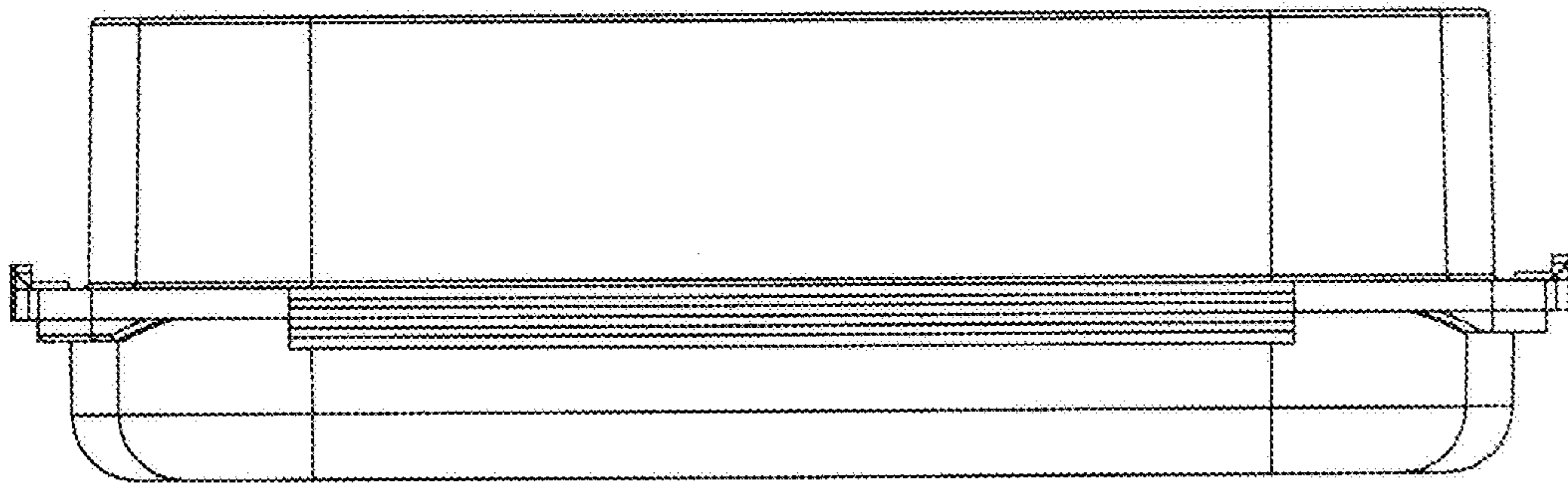


Fig. 2

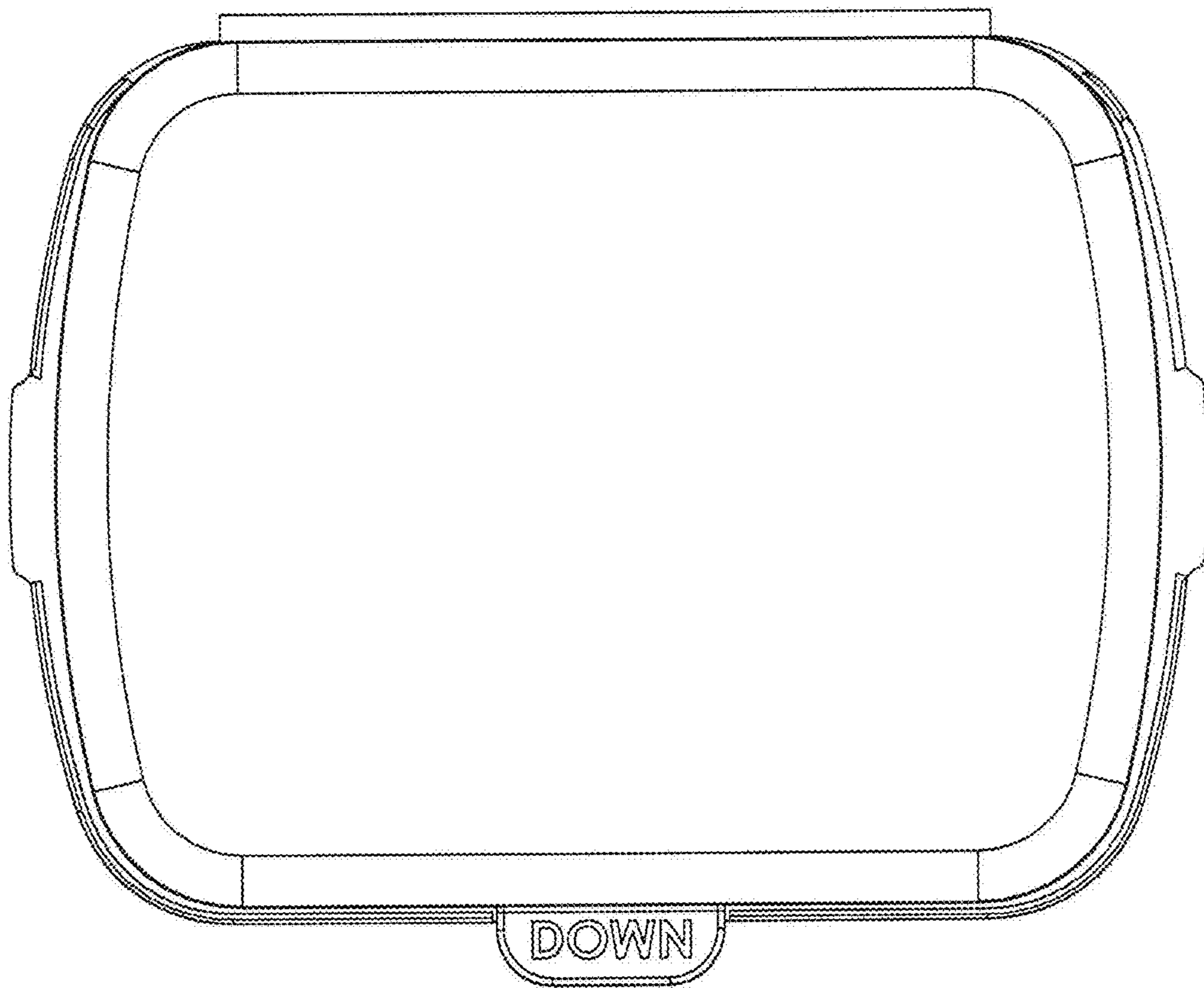


Fig. 3

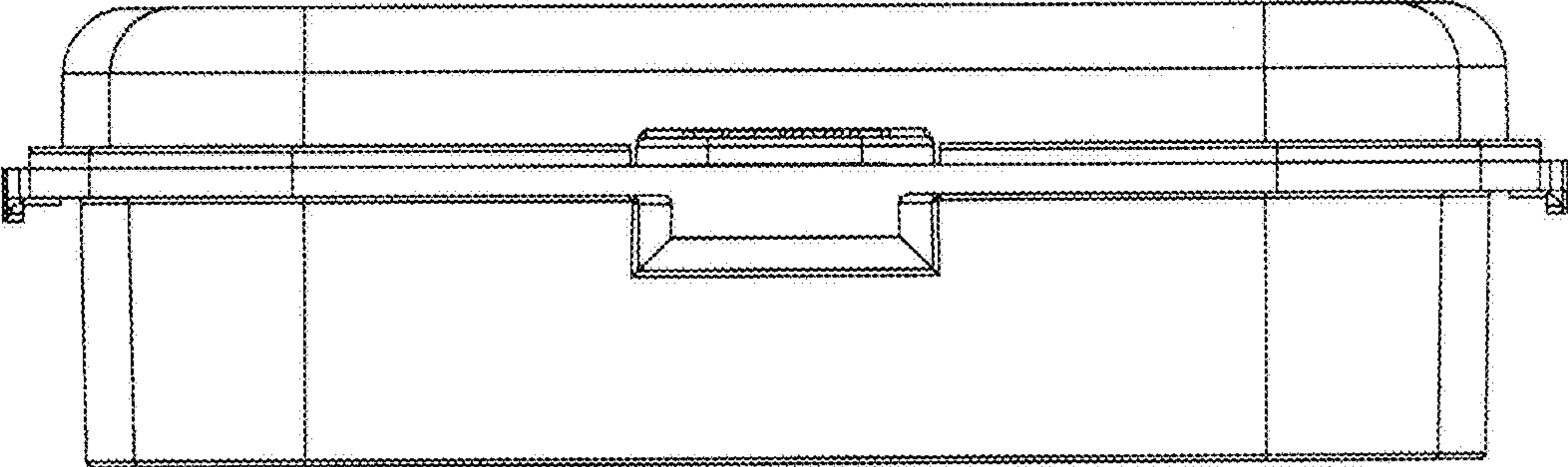


Fig. 4

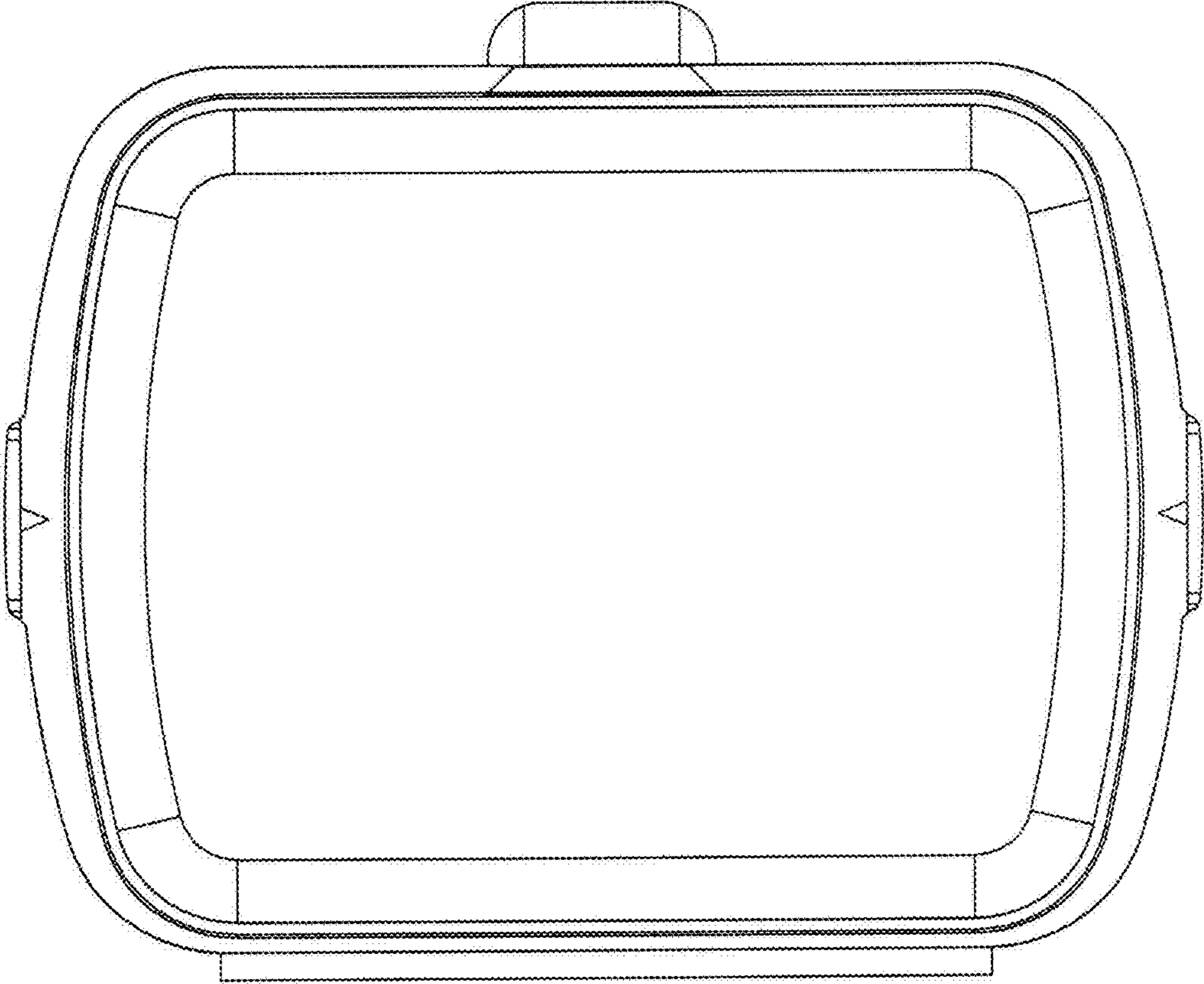


Fig. 5

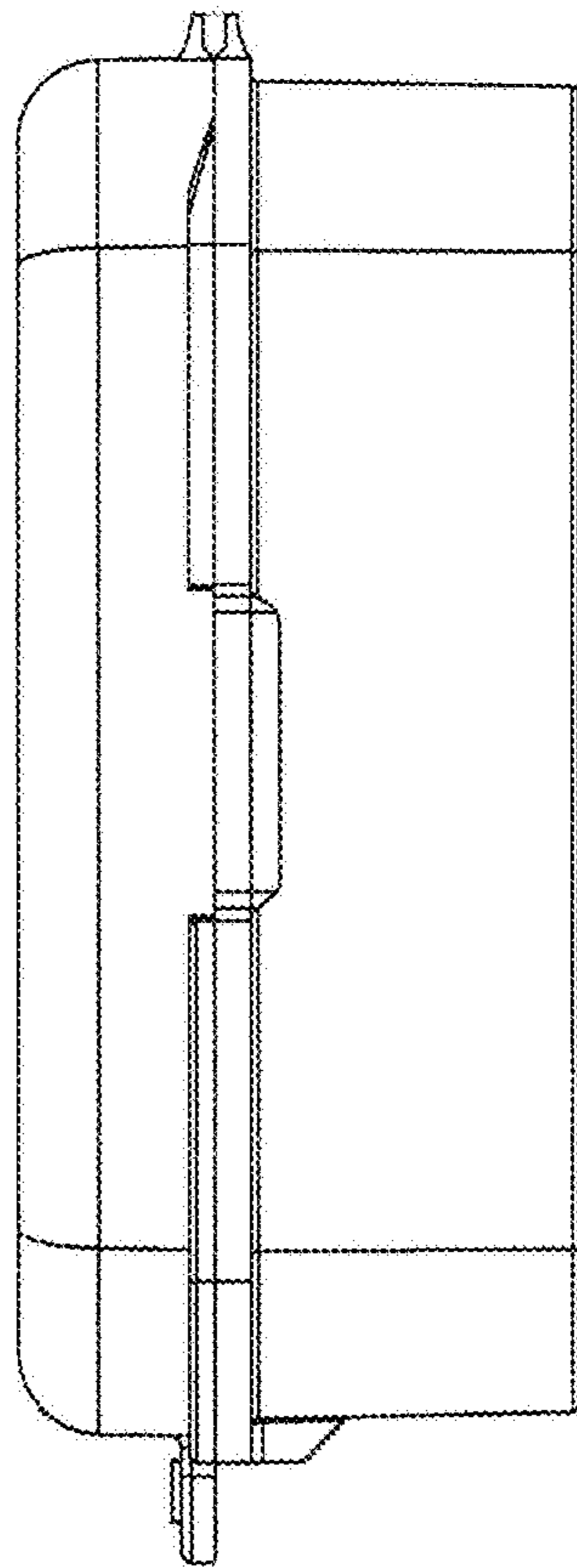


Fig.6

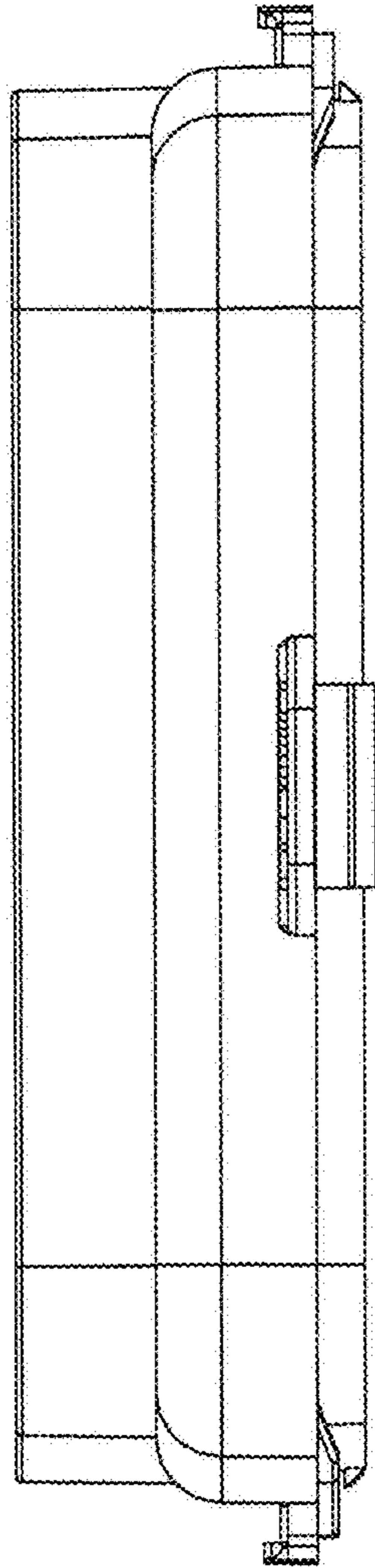


Fig. 7

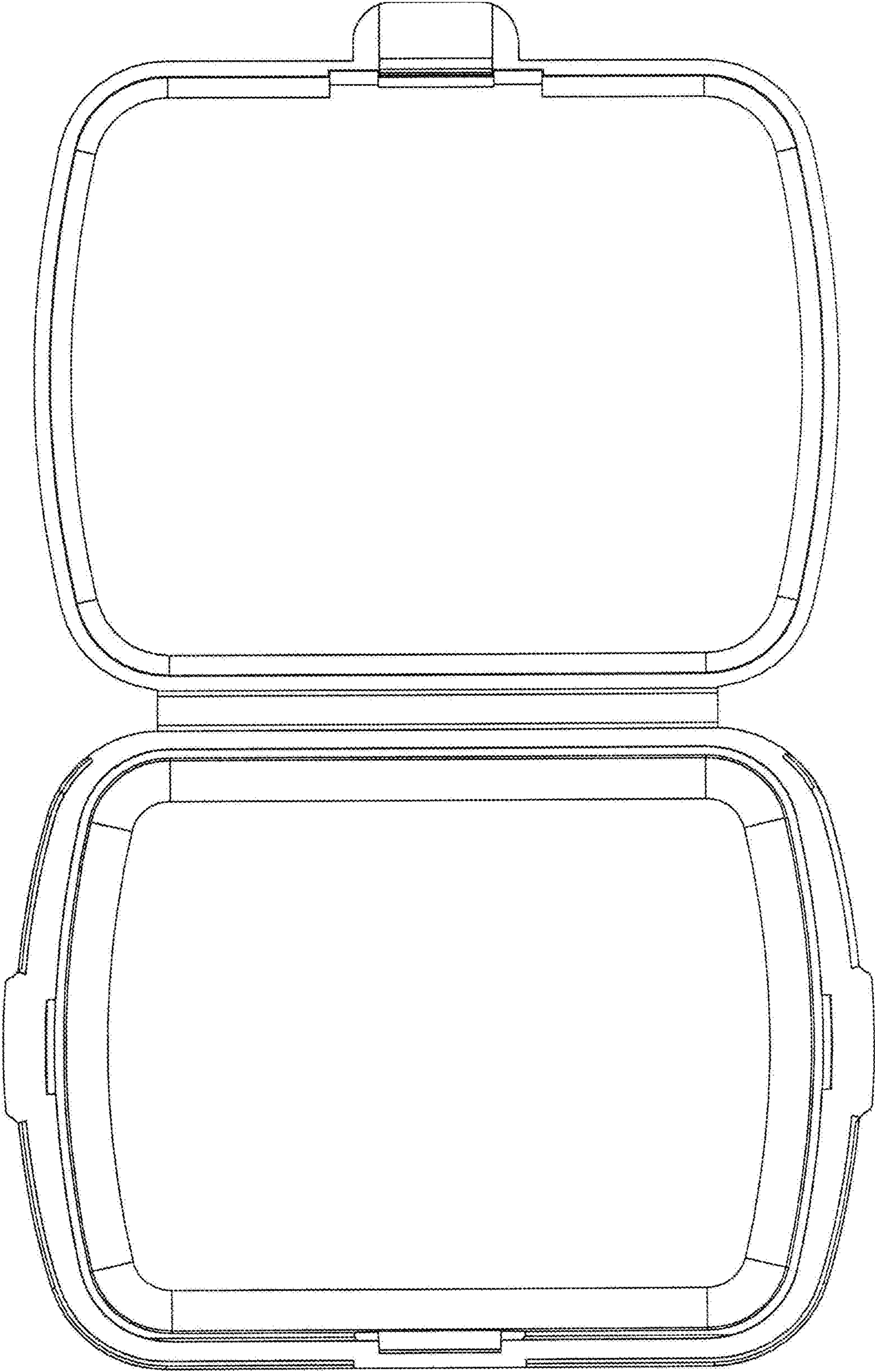


Fig. 8

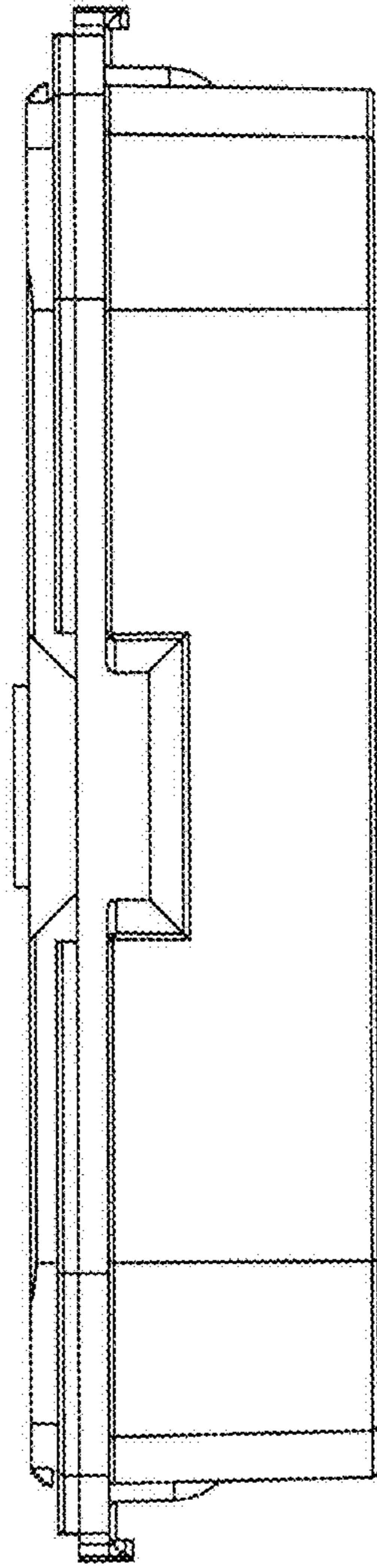


Fig. 9

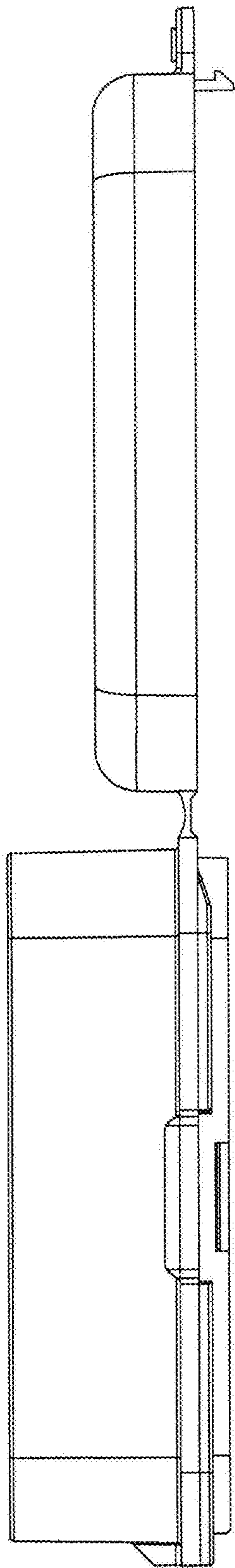


Fig. 10

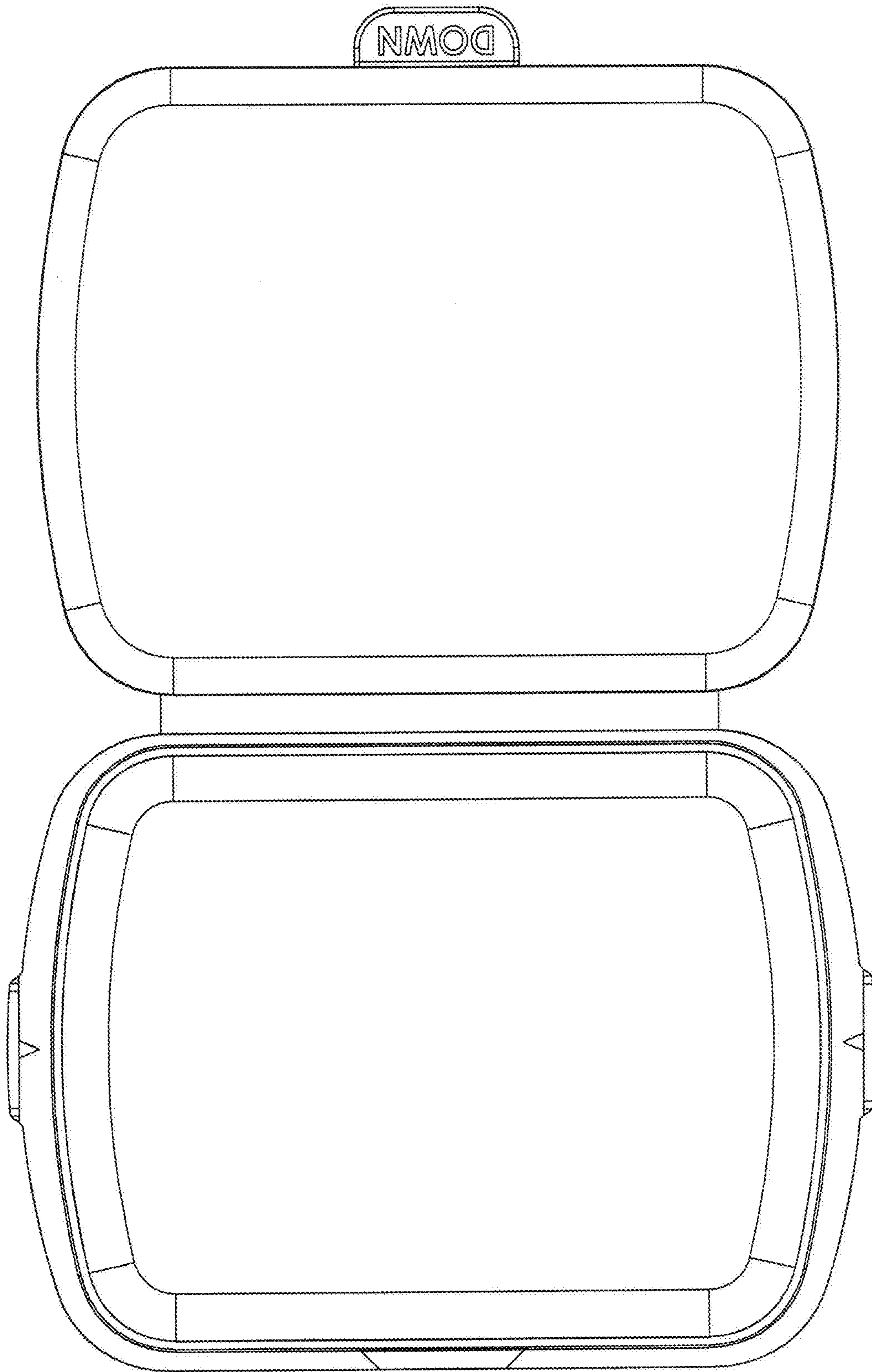


Fig. 11