



US00D887136S

(12) **United States Design Patent** (10) **Patent No.:** **US D887,136 S**
Tan (45) **Date of Patent:** **** Jun. 16, 2020**

- (54) **DOUBLE DECKER TACKLE BAG**
- (71) Applicant: **Evolution Outdoor Design**, Longview, TX (US)
- (72) Inventor: **Roger Tan**, Chino, CA (US)
- (73) Assignee: **Thousand Oaks Corp.**, Irwindale, CA (US)
- (**) Term: **15 Years**
- (21) Appl. No.: **29/673,183**
- (22) Filed: **Dec. 12, 2018**
- (51) **LOC (12) Cl.** **13-01**
- (52) **U.S. Cl.**
USPC **D3/260**
- (58) **Field of Classification Search**
USPC D3/201, 217, 254, 260, 270, 272, 273,
D3/276, 288, 303, 315; D7/605, 607
CPC A45C 11/20; A01K 97/06
See application file for complete search history.

- D821,097 S * 6/2018 Burton D3/289
- D833,141 S * 11/2018 Carter D3/217
- D835,473 S * 12/2018 Jacobsen D7/607
- D835,950 S * 12/2018 Jacobsen D7/607
- D836,999 S * 1/2019 Jacobsen D7/607
- D837,000 S * 1/2019 Jacobsen D7/607

(Continued)

Primary Examiner — Mitchell I. Siegel
(74) *Attorney, Agent, or Firm* — J. Andrew Reed;
Carstens & Cahoon, LLP

(57) **CLAIM**

The ornamental design for a double decker tackle bag, as shown and described.

DESCRIPTION

The patent or application file contains at least one drawing executed in color. Copies of this patent or patent application publication with color drawing(s) will be provided by the Office upon request and payment of the necessary fee.

- FIG. 1 is a front elevation view of the double decker tackle bag;
- FIG. 2 is a rear elevation view of the double decker tackle bag;
- FIG. 3 is a left side elevation view of the double decker tackle bag;
- FIG. 4 is a right side elevation view of the double decker tackle bag;
- FIG. 5 is a top view of the double decker tackle bag;
- FIG. 6 is a bottom view of the double decker tackle bag;
- FIG. 7 is a left side perspective view of the double decker tackle bag; and,
- FIG. 8 is a right side perspective view of the double decker tackle bag.

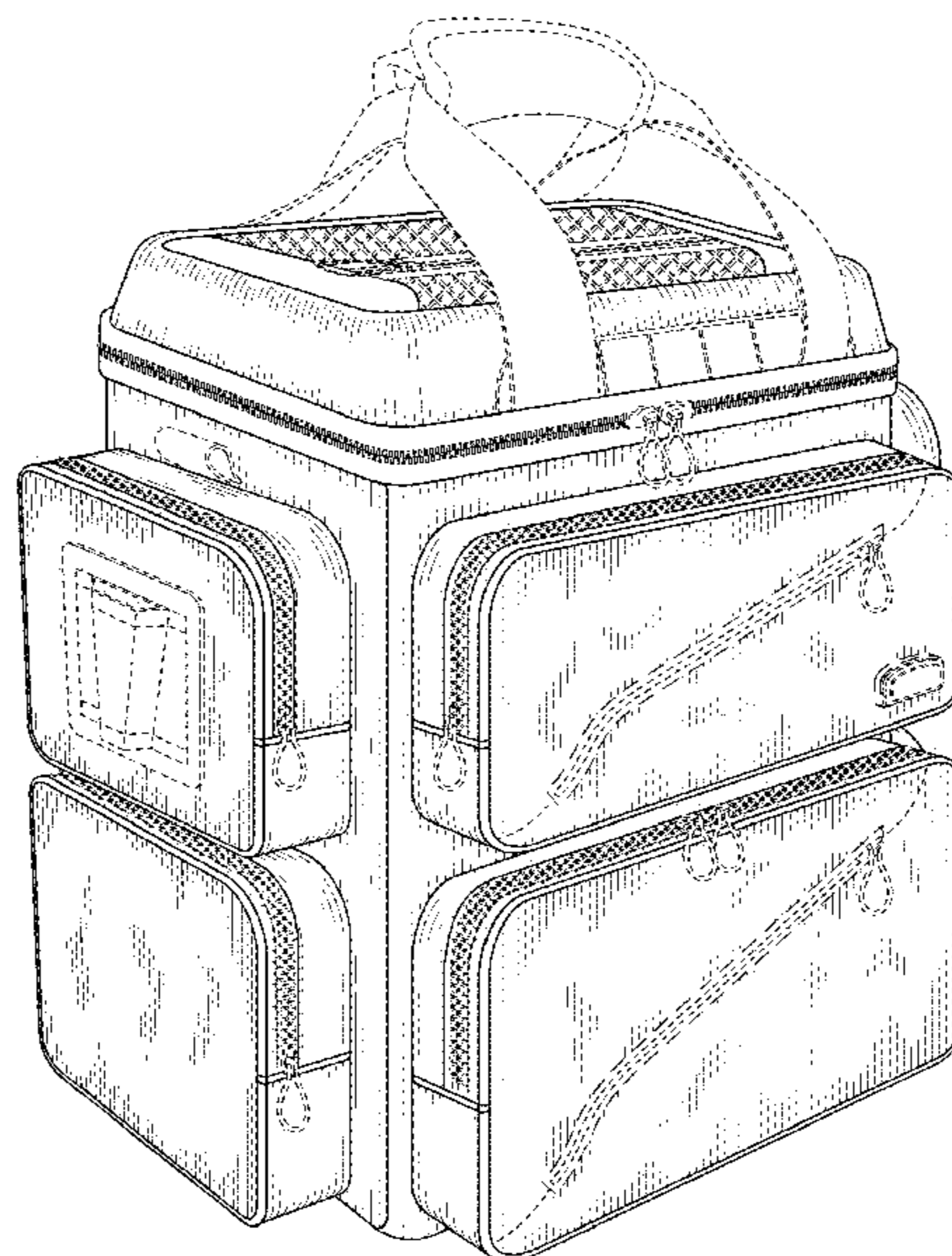
The broken lines shown are included for the purpose of illustrating unclaimed subject matter and forms no part of the claimed design.

1 Claim, 7 Drawing Sheets
(1 of 7 Drawing Sheet(s) Filed in Color)

(56) **References Cited**

U.S. PATENT DOCUMENTS

- D347,521 S * 6/1994 Elliott D3/287
- D360,182 S * 7/1995 Lovett D12/409
- D376,044 S * 12/1996 Trawick D3/283
- D383,601 S * 9/1997 Jones D3/260
- D389,305 S * 1/1998 Hauschild D3/260
- D427,768 S * 7/2000 Bogert D3/279
- D474,598 S * 5/2003 Platte, III D3/279
- D506,061 S * 6/2005 McGibben D3/260
- D620,254 S * 7/2010 Noraker D3/260
- D639,051 S * 6/2011 Dare D3/260
- D660,589 S * 5/2012 Ayjian D3/260
- D714,541 S * 10/2014 Anderson D3/217
- D724,318 S * 3/2015 Myer D3/233
- D742,637 S * 11/2015 Miles D3/274
- D787,816 S * 5/2017 Slimane D3/217
- D793,728 S * 8/2017 Faibish D3/279



(56)

References Cited

U.S. PATENT DOCUMENTS

D837,001	S	*	1/2019	Jacobsen	D7/607
D856,662	S	*	8/2019	Breines	D3/217
D873,090	S	*	1/2020	Jacobsen	D7/607
D874,129	S	*	2/2020	Goldstein	D3/217
D875,385	S	*	2/2020	Carter	D3/217
2005/0121275	A1	*	6/2005	Platte, III	A45C 5/065 190/103

* cited by examiner

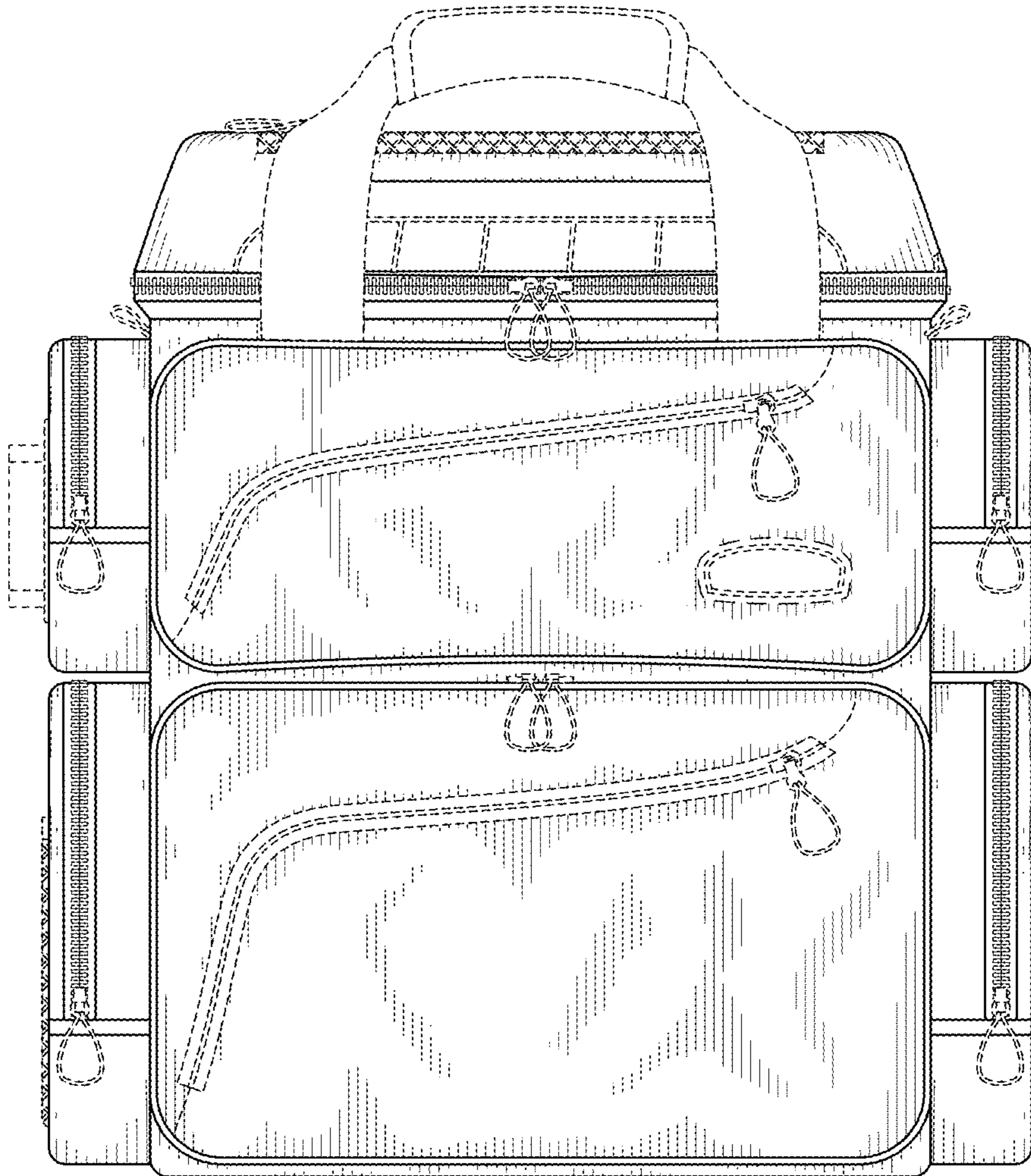


FIG. 1

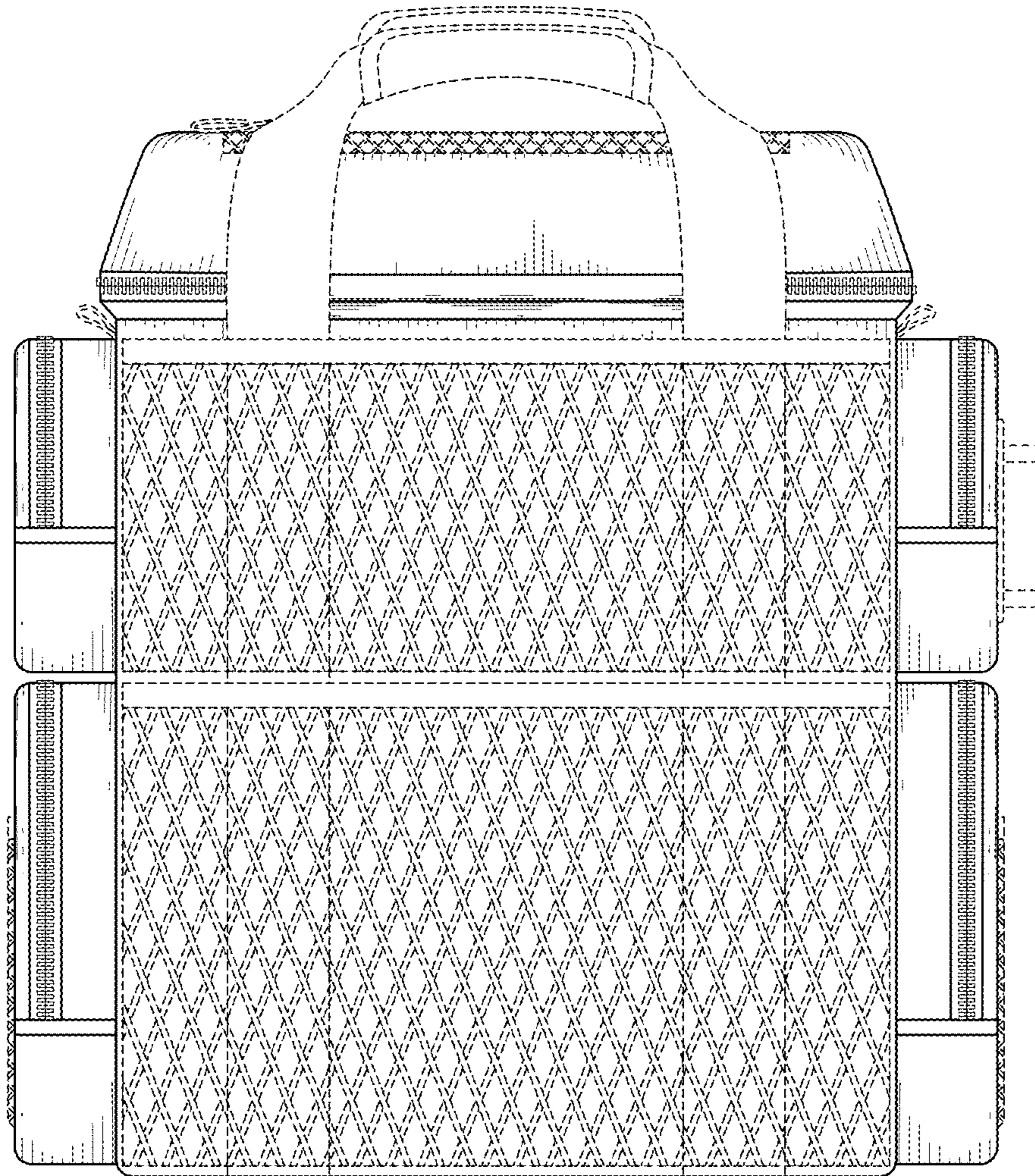


FIG. 2

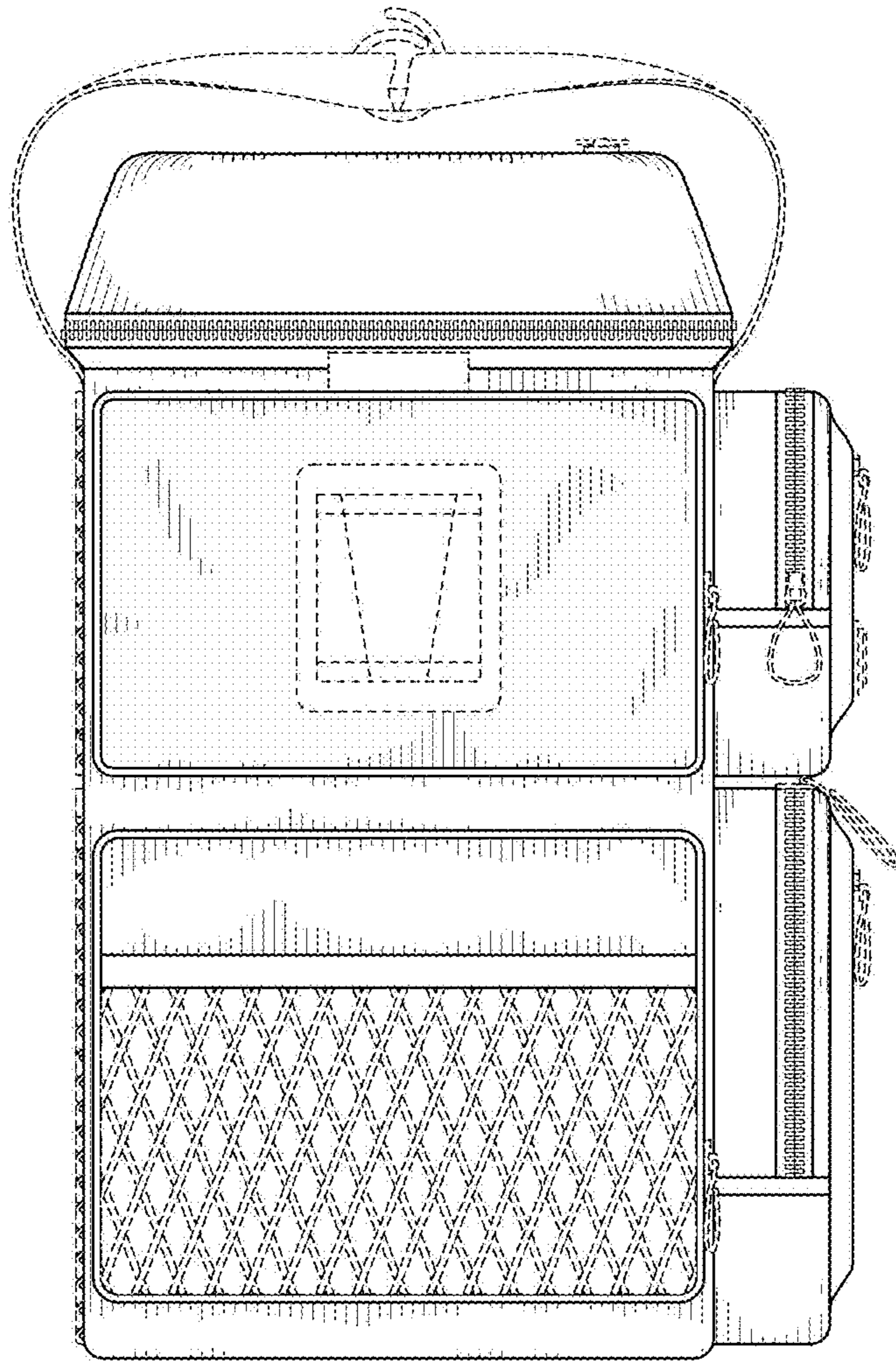


FIG. 3

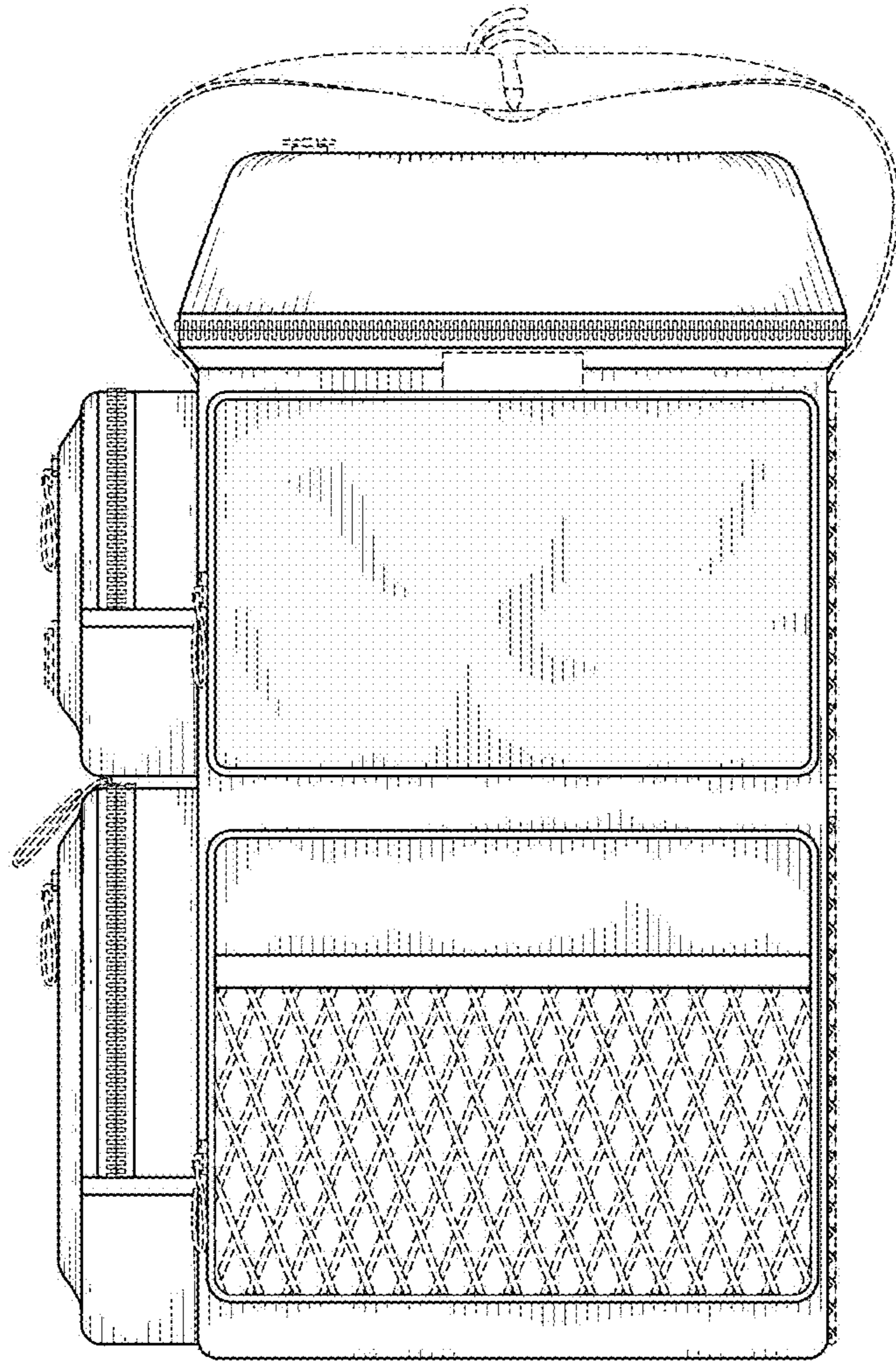


FIG. 4

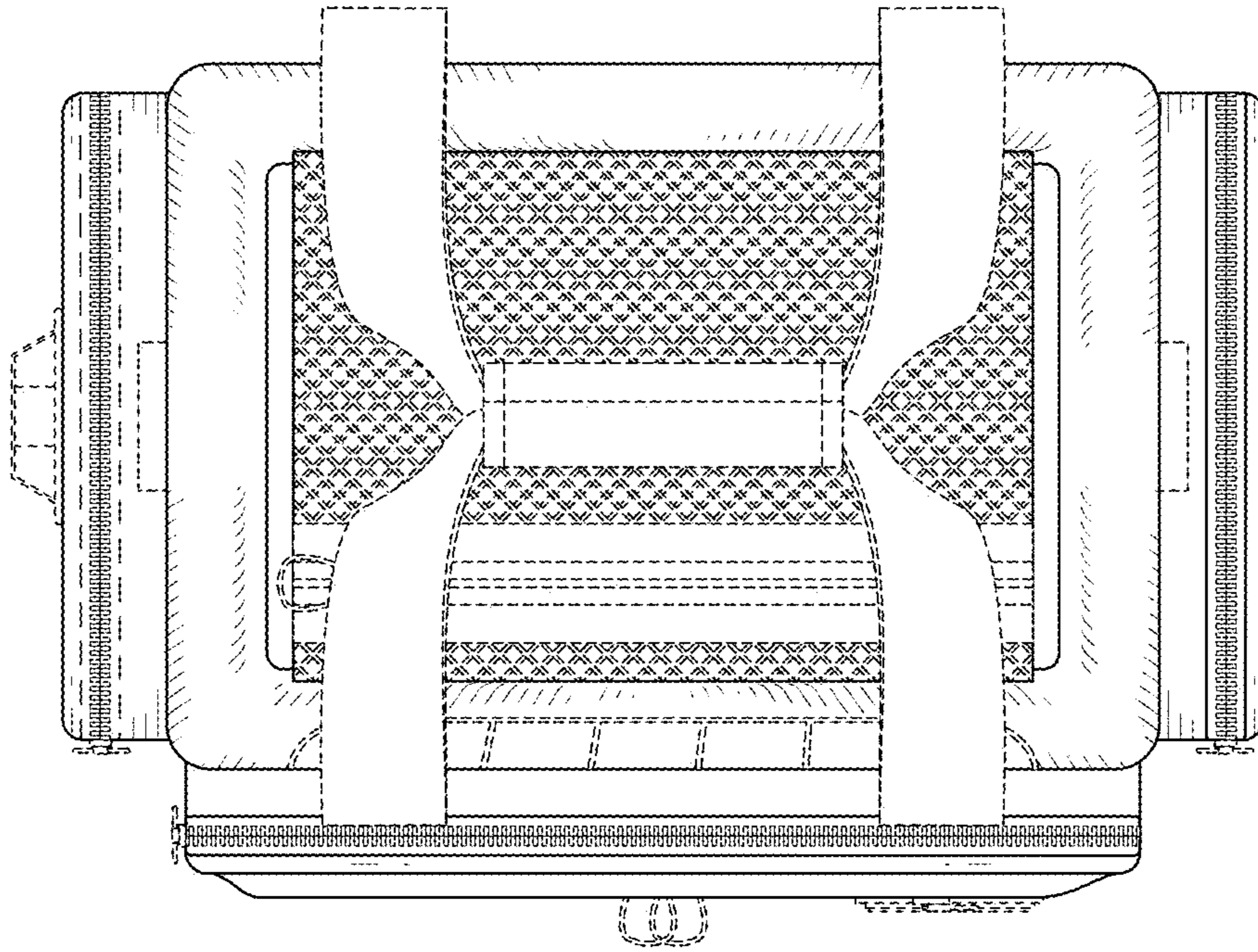


FIG. 5

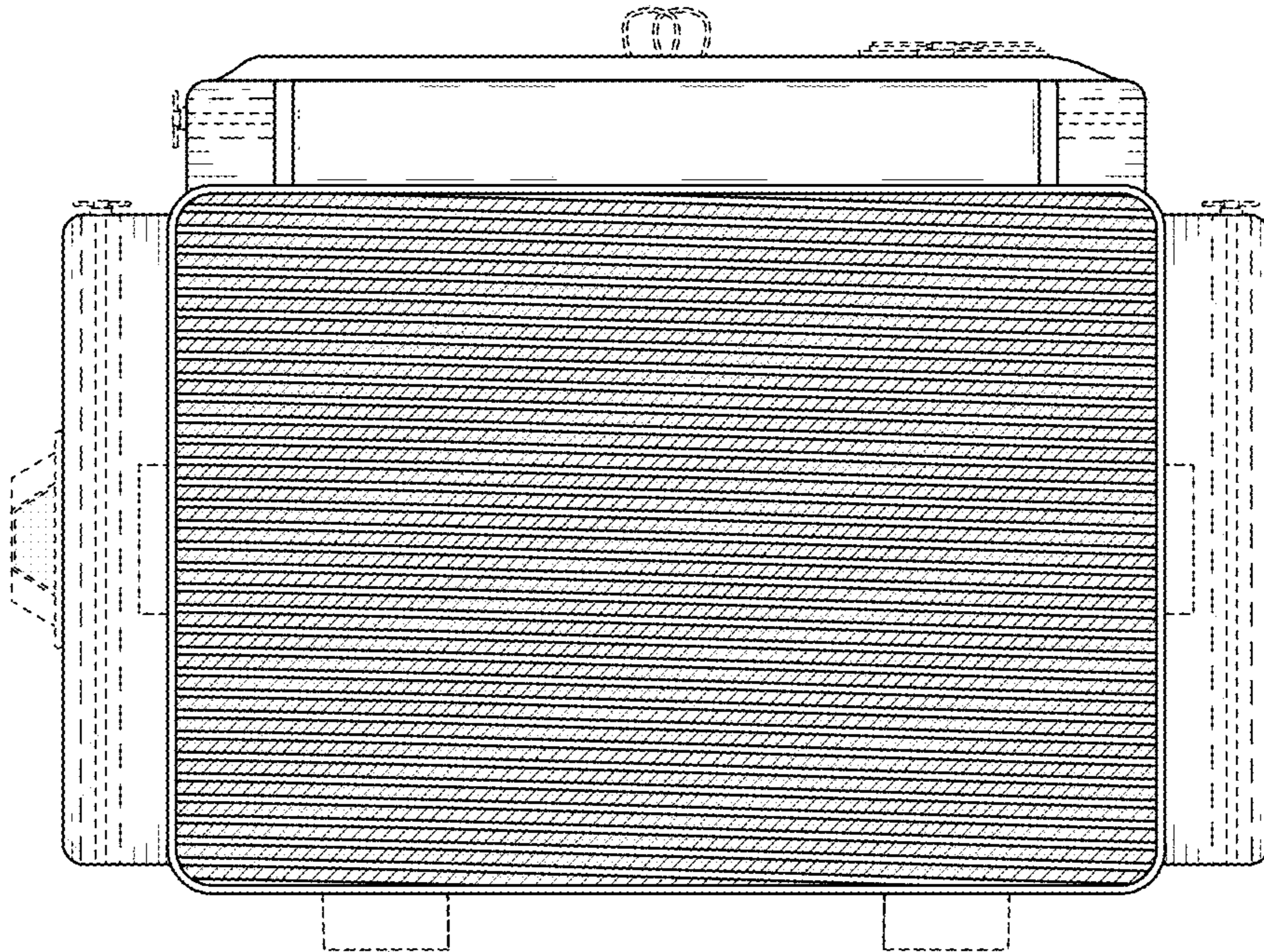


FIG. 6

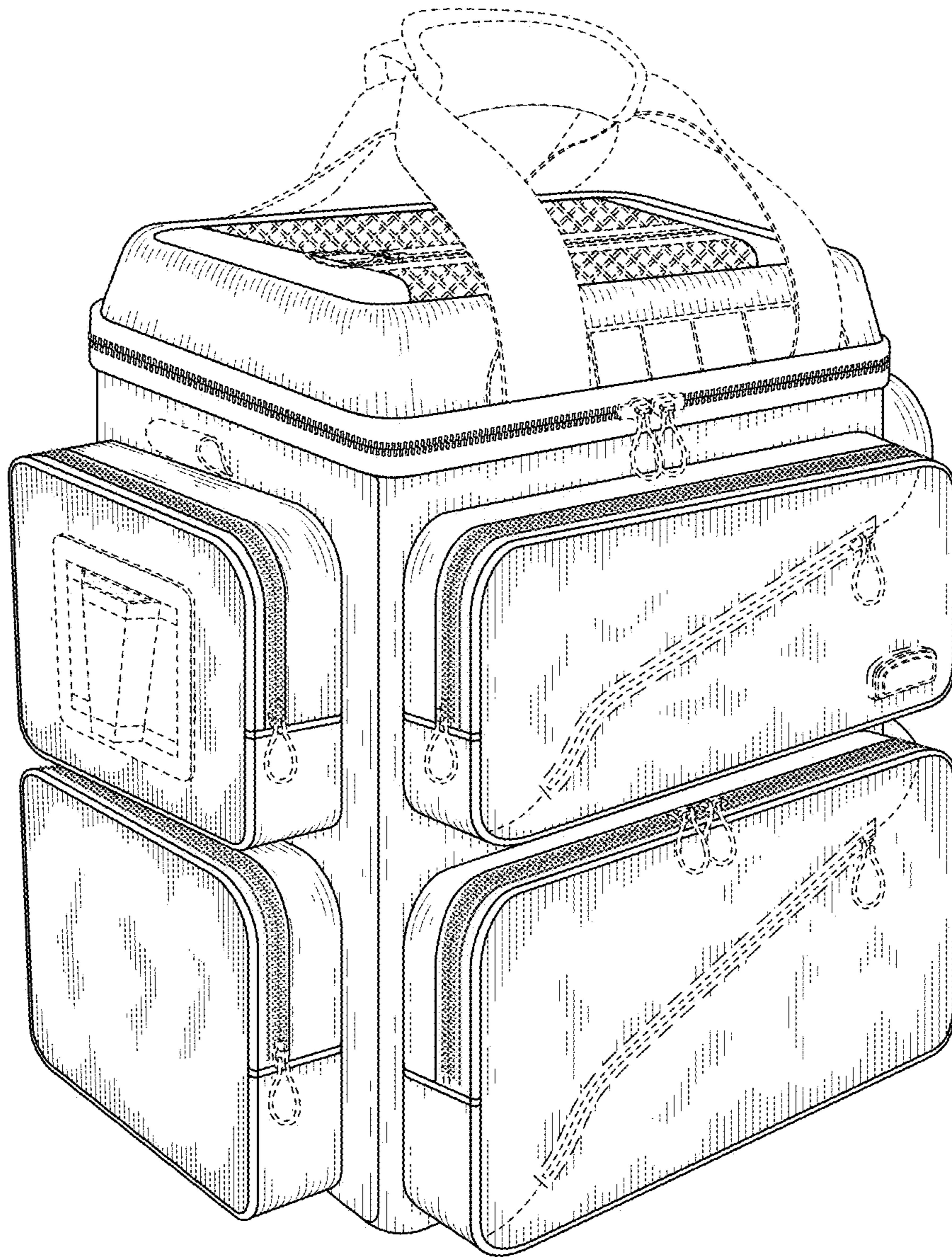


FIG. 7

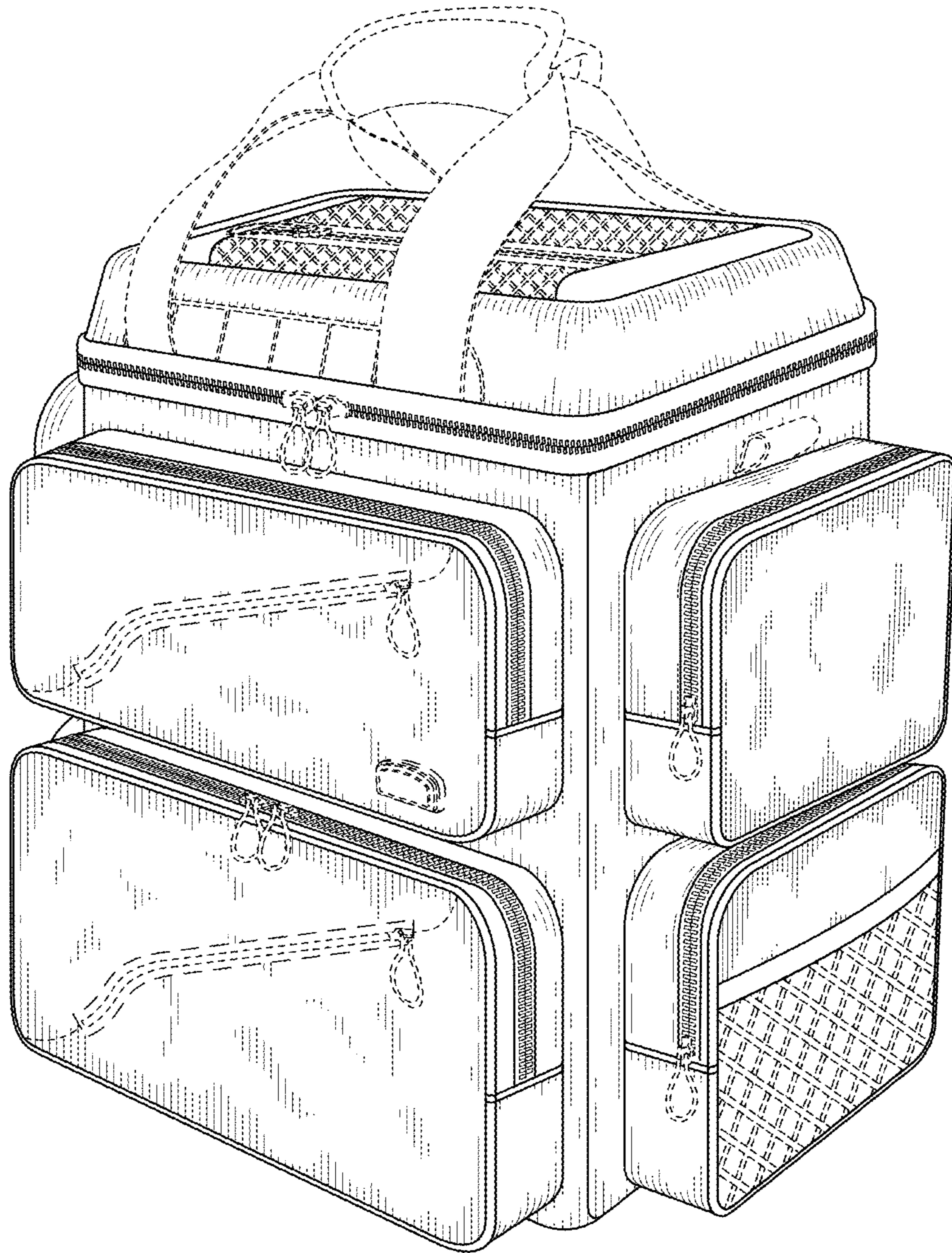


FIG. 8