



US00D887135S

(12) **United States Design Patent** (10) **Patent No.:** **US D887,135 S**
Tan (45) **Date of Patent:** **** Jun. 16, 2020**

(54) **IN-LINE TACKLE BAG**
(71) Applicant: **Evolution Outdoor Design**, Longview, TX (US)
(72) Inventor: **Roger Tan**, Chino, CA (US)
(73) Assignee: **Thousand Oaks Corp.**, Irwindale, CA (US)
(**) Term: **15 Years**
(21) Appl. No.: **29/673,177**
(22) Filed: **Dec. 12, 2018**
(51) **LOC (12) Cl.** **13-01**
(52) **U.S. Cl.**
USPC **D3/260**
(58) **Field of Classification Search**
USPC D3/201, 217, 254, 260, 270, 272, 273,
D3/276, 288, 303, 315; D7/605, 607
CPC A45C 11/20; A01K 97/06
See application file for complete search history.

D793,728 S * 8/2017 Faibish D3/279
D821,097 S * 6/2018 Burton D3/289
D833,141 S * 11/2018 Carter D3/217
D835,473 S * 12/2018 Jacobsen D7/607
D835,950 S * 12/2018 Jacobsen D7/607
D836,999 S * 1/2019 Jacobsen D7/607
D837,000 S * 1/2019 Jacobsen D7/607
D837,001 S * 1/2019 Jacobsen D7/607
D856,662 S * 8/2019 Breines D3/217
D873,090 S * 1/2020 Jacobsen D7/607
D874,129 S * 2/2020 Goldstein D3/217
D875,385 S * 2/2020 Carter D3/217
2005/0121275 A1 * 6/2005 Platte A45C 5/065
190/103

* cited by examiner

Primary Examiner — Mitchell I. Siegel
(74) *Attorney, Agent, or Firm* — J. Andrew Reed;
Carstens & Cahoon, LLP

(57) **CLAIM**

The ornamental design for an in-line tackle bag, as shown and described herein.

DESCRIPTION

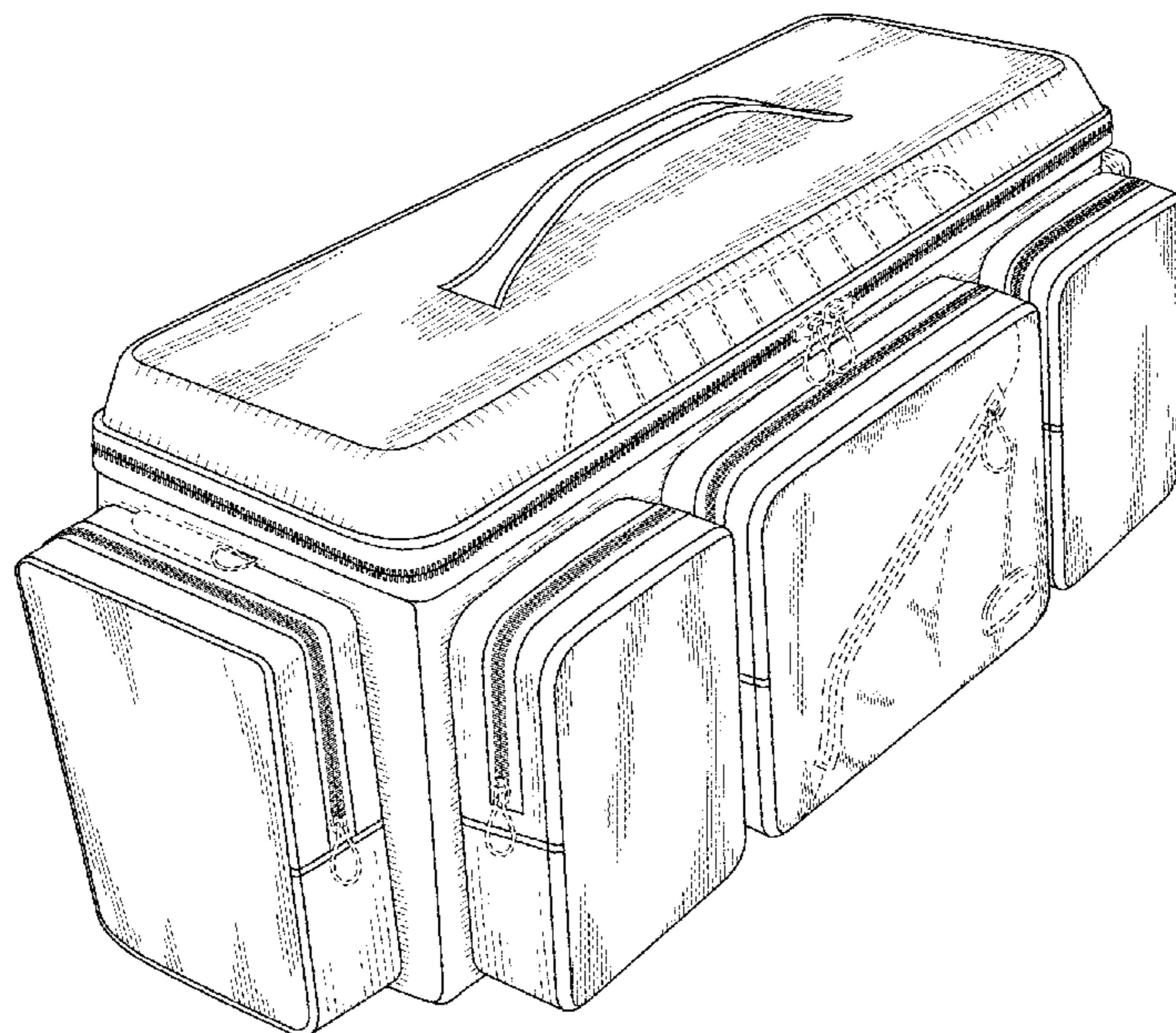
FIG. 1 is a front elevation view of the in-line tackle bag; FIG. 2 is a rear elevation view of the in-line tackle bag; FIG. 3 is a left side elevation view of the in-line tackle bag; FIG. 4 is a right side elevation view of the in-line tackle bag; FIG. 5 is a top view of the in-line tackle bag; FIG. 6 is a bottom view of the in-line tackle bag; FIG. 7 is a left side perspective view of the in-line tackle bag; and, FIG. 8 is a right side perspective view of the in-line tackle bag. The broken lines shown are included for the purpose of illustrating unclaimed subject matter and forms no part of the claimed design.

1 Claim, 7 Drawing Sheets

(56) **References Cited**

U.S. PATENT DOCUMENTS

D347,521 S * 6/1994 Elliott D3/287
D360,182 S * 7/1995 Lovett D12/409
D376,044 S * 12/1996 Trawick D3/283
D383,601 S * 9/1997 Jones D3/260
D389,305 S * 1/1998 Hauschild D3/260
D427,768 S * 7/2000 Bogert D3/279
D474,598 S * 5/2003 Platte, III D3/279
D506,061 S * 6/2005 McGibben D3/260
D620,254 S * 7/2010 Noraker D3/260
D639,051 S * 6/2011 Dare D3/260
D660,589 S * 5/2012 Ayjian D3/260
D714,541 S * 10/2014 Anderson D3/217
D724,318 S * 3/2015 Myer D3/233
D742,637 S * 11/2015 Miles D3/274
D787,816 S * 5/2017 Slimane D3/217



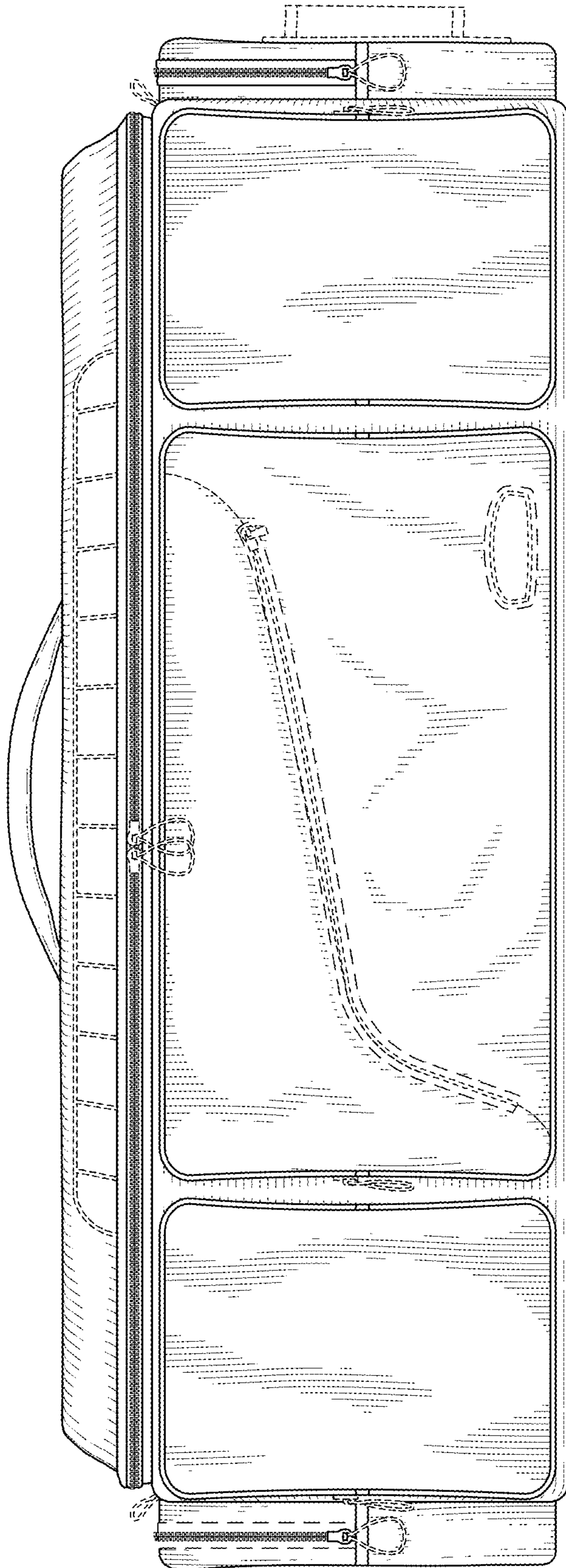


FIG. 1

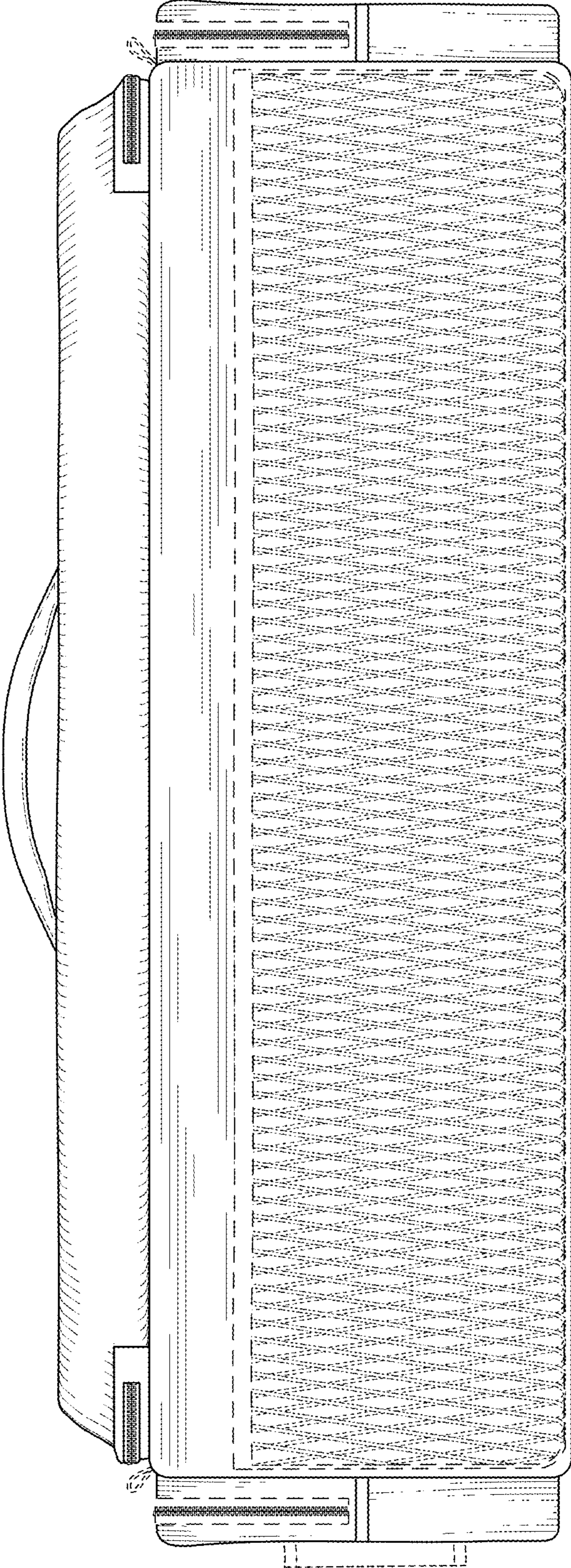


FIG. 2

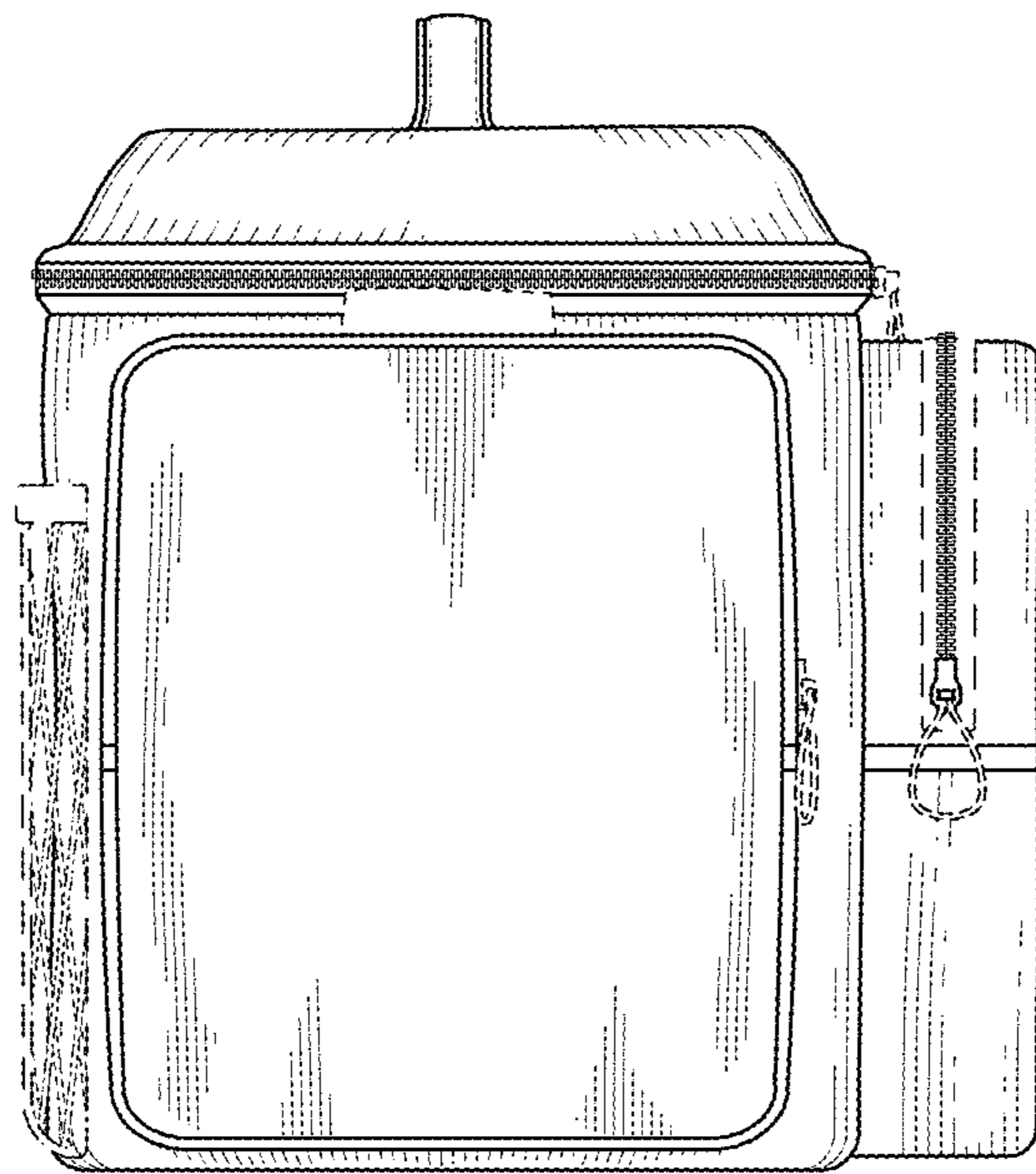


FIG. 3

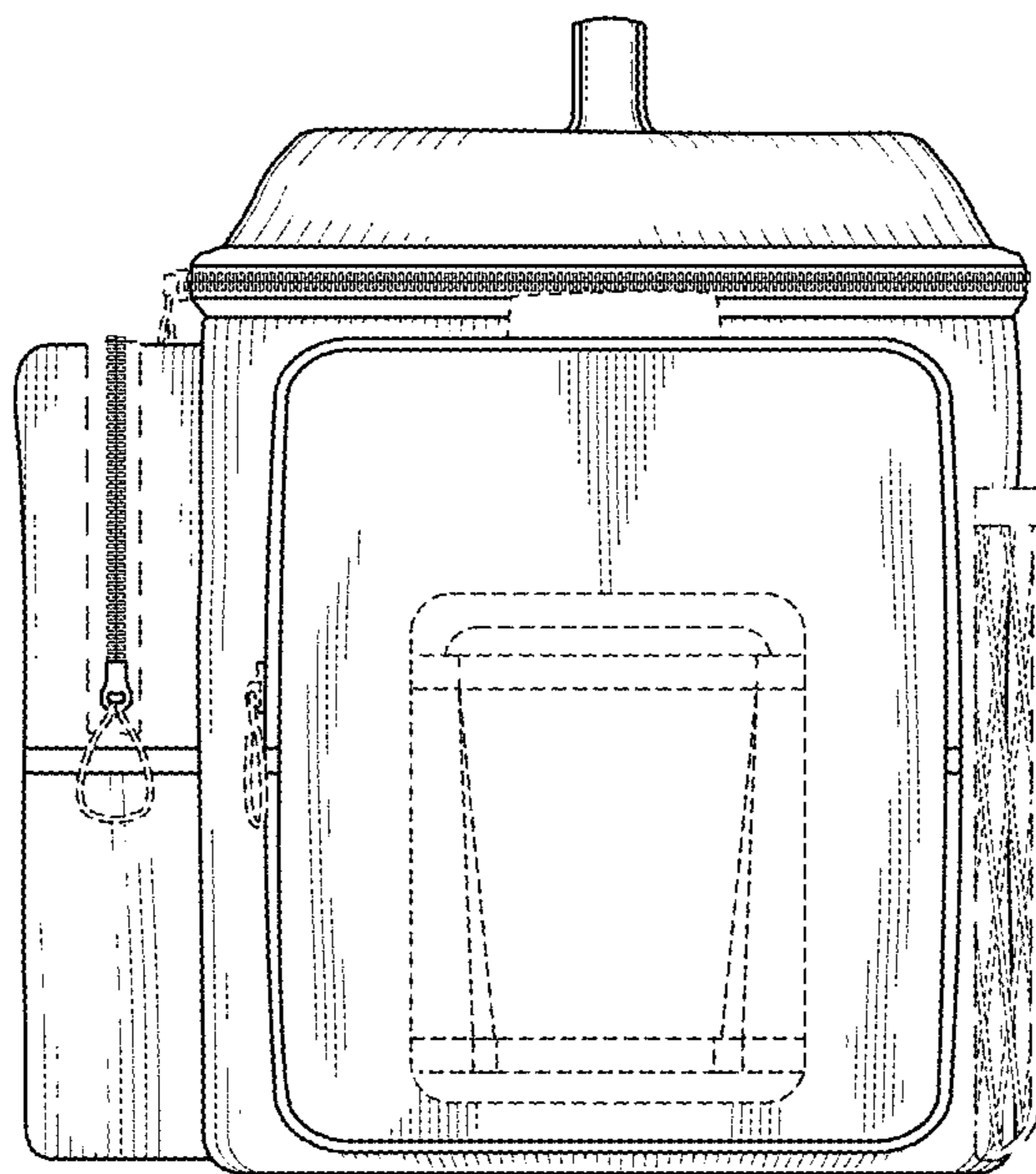


FIG. 4

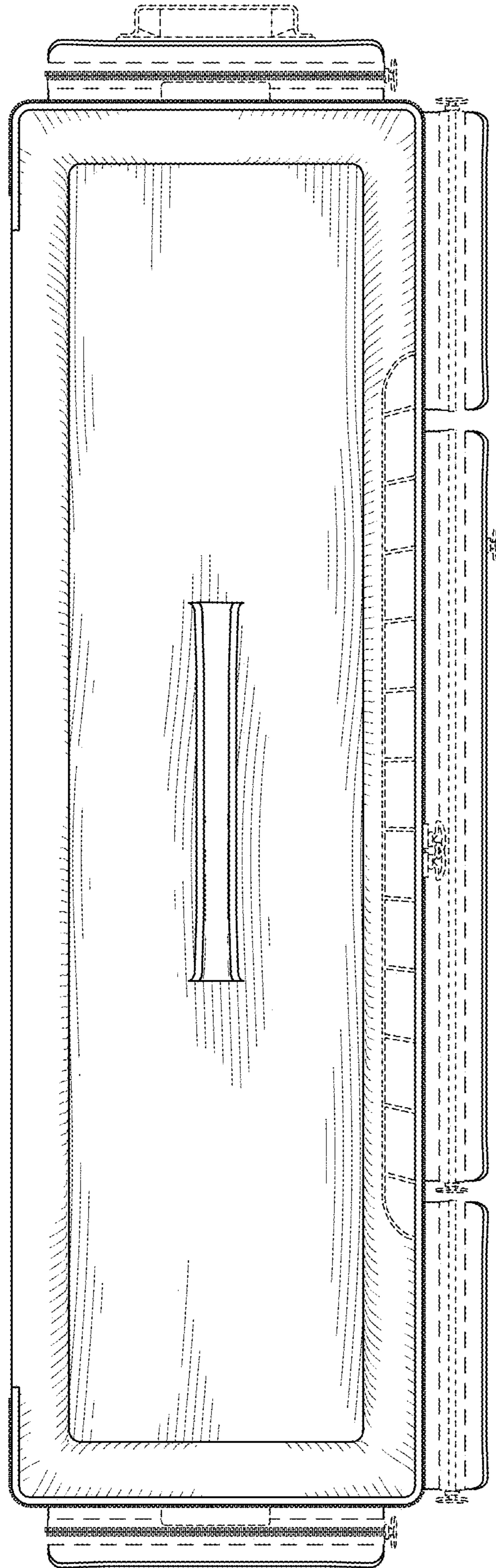


FIG. 5

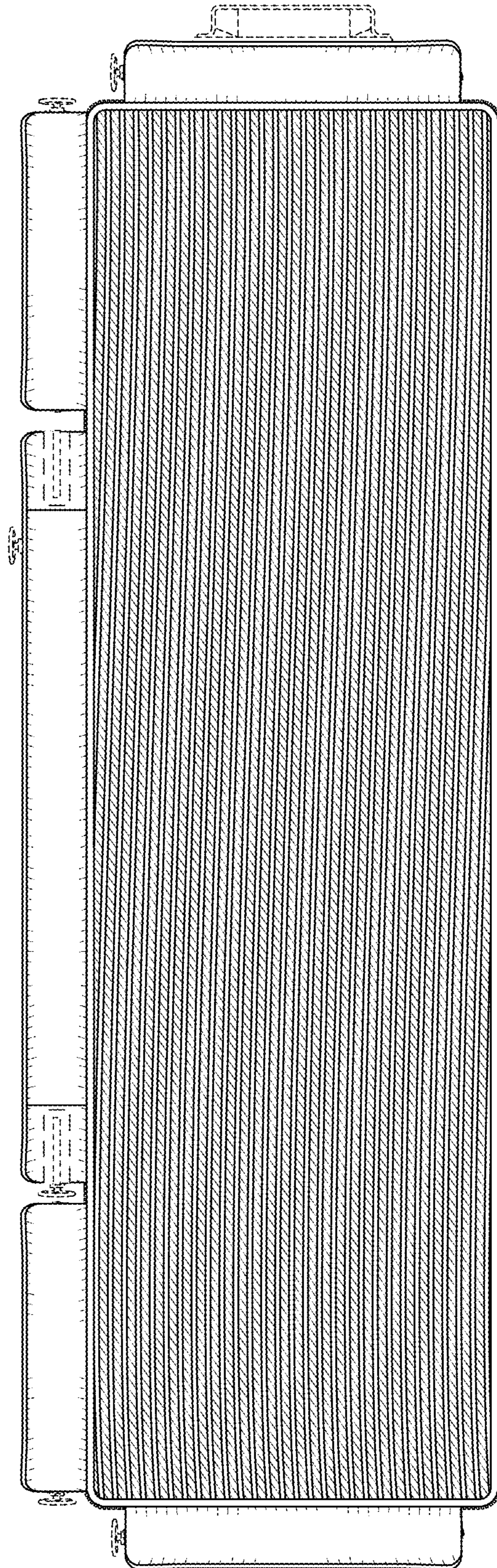


FIG. 6

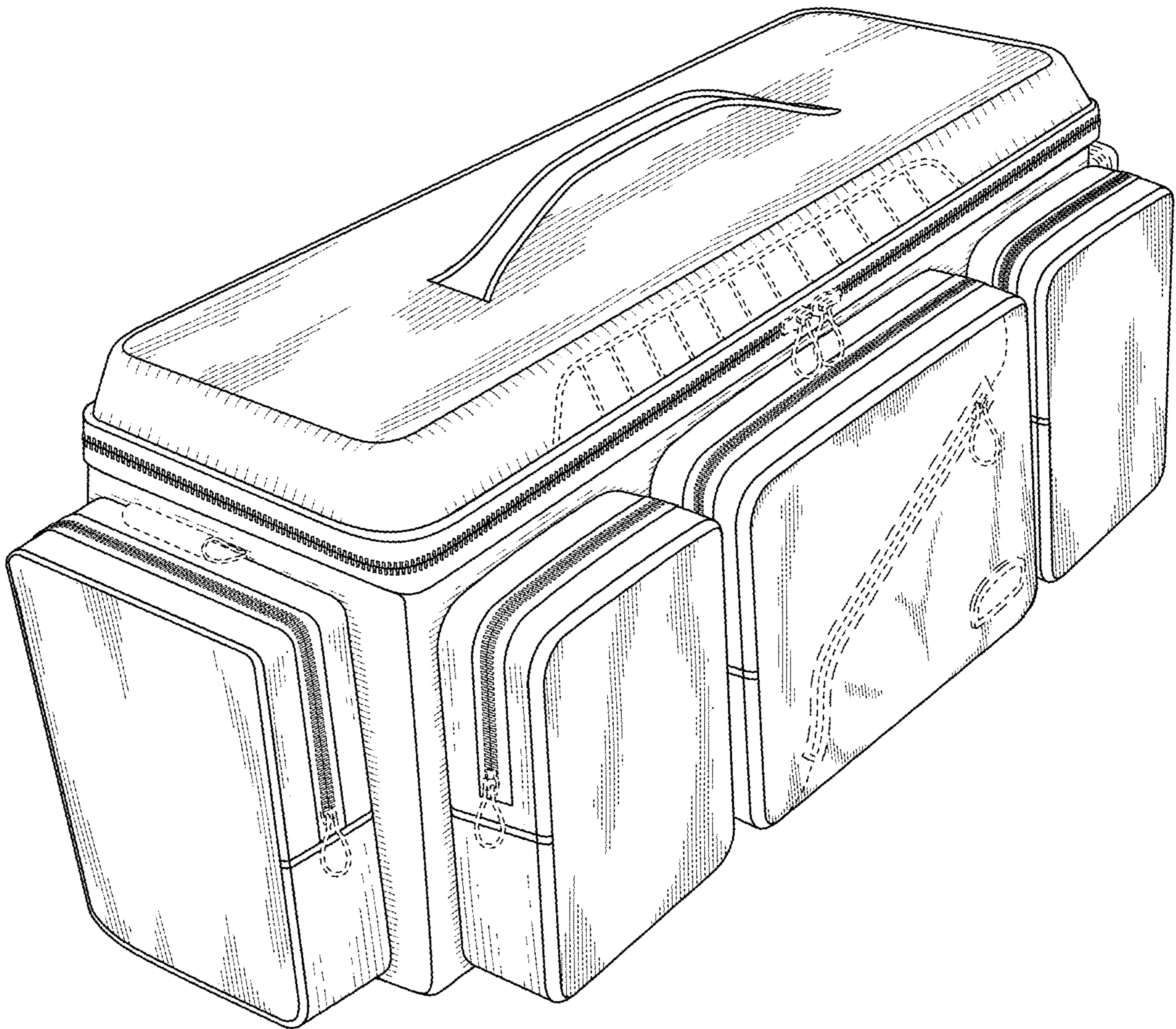


FIG. 7

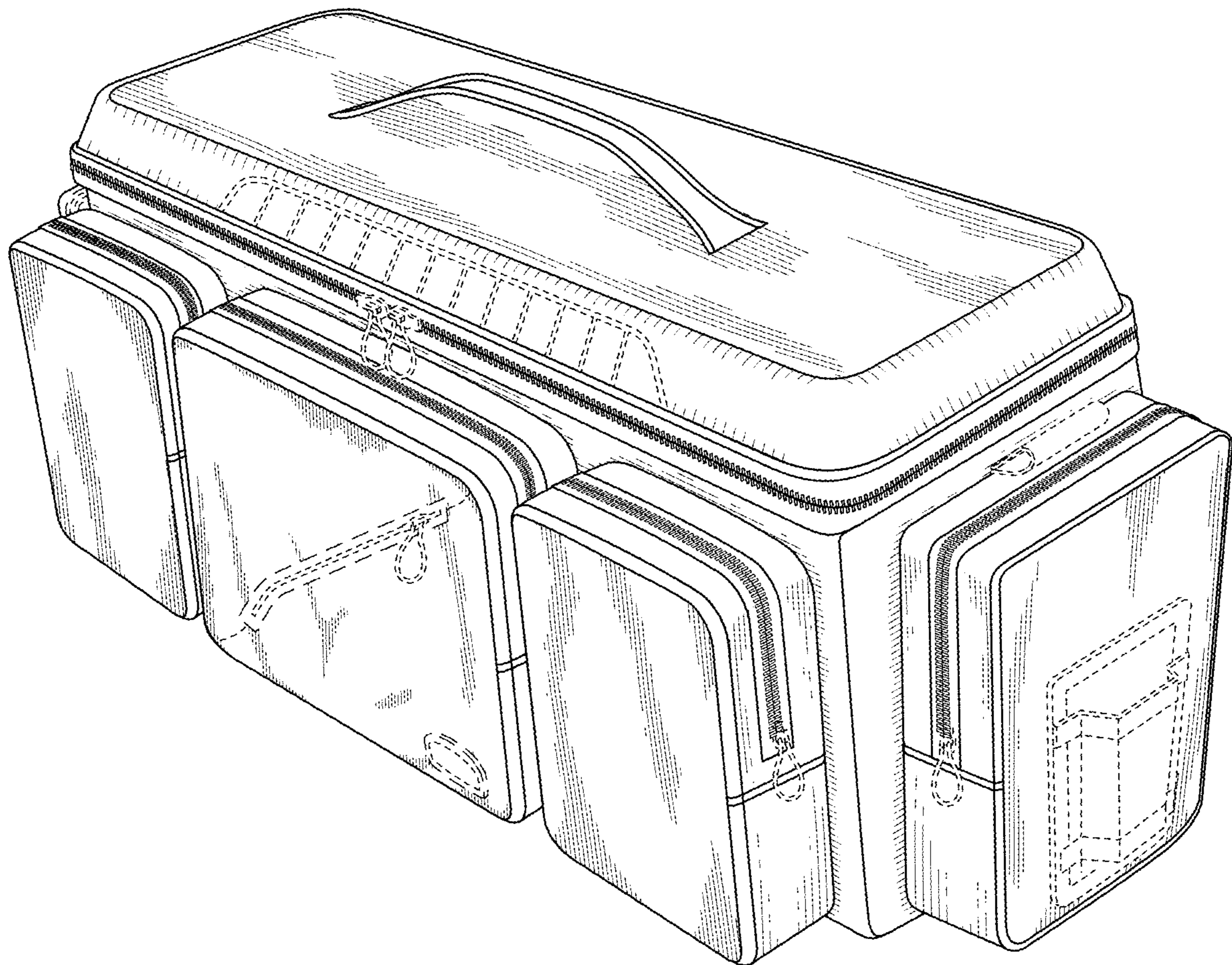


FIG. 8