



US00D887134S

(12) **United States Design Patent**
Strand et al.

(10) **Patent No.:** **US D887,134 S**
(45) **Date of Patent:** **** Jun. 16, 2020**

- (54) **FISHING ROD STORAGE DEVICE**
- (71) Applicant: **Thule, Inc.**, Seymour, CT (US)
- (72) Inventors: **Peter Strand**, Denver, CO (US); **Adam Estepp**, Denver, CO (US)
- (73) Assignee: **Thule, Inc.**, Seymour, CT (US)
- (**) Term: **15 Years**
- (21) Appl. No.: **29/665,903**
- (22) Filed: **Oct. 8, 2018**
- (51) **LOC (12) Cl.** **03-01**
- (52) **U.S. Cl.**
USPC **D3/260**
- (58) **Field of Classification Search**
USPC D3/201, 254, 260, 262, 269, 273, 300
CPC B60R 9/08; A01K 97/00-97/08
See application file for complete search history.

- D284,423 S * 7/1986 McCallum D3/260
- 4,967,504 A * 11/1990 Craft A01K 97/08
43/26
- D316,327 S * 4/1991 Craft D3/260
- D320,694 S * 10/1991 Brant D3/260
- D321,281 S * 11/1991 Cooper D3/260
- 5,341,590 A * 8/1994 Hepworth A01K 97/08
206/315.11
- 5,366,076 A * 11/1994 Lyles A01K 97/08
206/315.11
- D410,333 S * 6/1999 Coca D3/260
- 6,062,382 A * 5/2000 Czerkie A01K 97/08
206/315.11
- D458,747 S * 6/2002 Hields D3/260
- 6,408,564 B1 * 6/2002 Murphy A01K 97/08
43/26
- 6,668,481 B2 * 12/2003 Garcia A01K 97/08
43/26

(Continued)

Primary Examiner — Mitchell I. Siegel
(74) *Attorney, Agent, or Firm* — Sterne, Kessler,
Goldstein & Fox P.L.L.C.

(57) **CLAIM**

The ornamental design for a fishing rod storage device, as shown and described.

DESCRIPTION

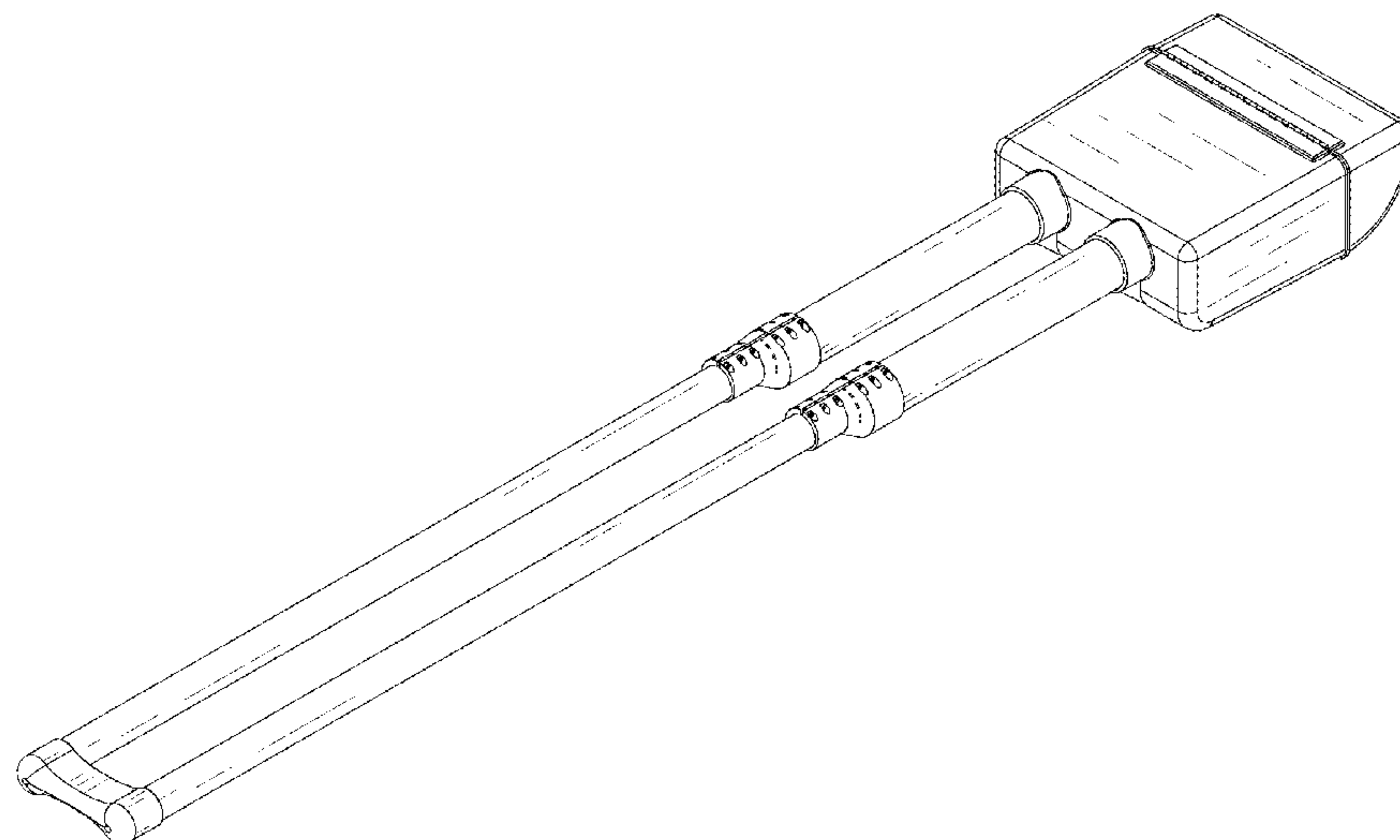
FIG. 1 is a perspective view of a fishing rod storage device showing our new design;
FIG. 2 is an enlarged front view thereof;
FIG. 3 is an enlarged rear view thereof;
FIG. 4 is a top view thereof;
FIG. 5 is a bottom view thereof;
FIG. 6 is a left side view thereof; and,
FIG. 7 is a right side view thereof.
The broken lines shown are included for the purpose of illustrating unclaimed subject matter and forms no part of the claimed design.

1 Claim, 4 Drawing Sheets

(56) **References Cited**

U.S. PATENT DOCUMENTS

- 2,749,645 A * 6/1956 McKern A01K 97/06
43/26
- 3,641,697 A * 2/1972 Heidtman A01K 97/08
43/26
- 3,674,190 A * 7/1972 Wright A01K 97/08
206/315.11
- 3,772,819 A * 11/1973 Ratzlaff A01K 97/08
43/26
- 3,811,216 A * 5/1974 Sauey A01K 97/08
43/26
- 4,170,801 A * 10/1979 Ward A01K 97/08
114/343
- D254,696 S * 4/1980 Adams D3/260
- 4,546,877 A * 10/1985 Evans A01K 97/08
206/315.1
- 4,572,416 A * 2/1986 Upham B60R 9/08
224/326



(56)

References Cited

U.S. PATENT DOCUMENTS

| | | | | | |
|------------|------|---------|-----------|-------|------------|
| 6,760,994 | B2 * | 7/2004 | Henault | | A01K 97/08 |
| | | | | | 206/315.11 |
| 6,865,841 | B2 * | 3/2005 | Wieringa | | A01K 97/08 |
| | | | | | 206/315.11 |
| D530,085 | S * | 10/2006 | Quinnan | | D3/260 |
| 7,383,658 | B1 * | 6/2008 | Reichert | | A01K 97/08 |
| | | | | | 43/26 |
| D653,446 | S * | 2/2012 | Bode | | D3/260 |
| D771,941 | S * | 11/2016 | Calebaugh | | D3/260 |
| 10,375,944 | B2 * | 8/2019 | Smigaj | | B60R 9/08 |

* cited by examiner

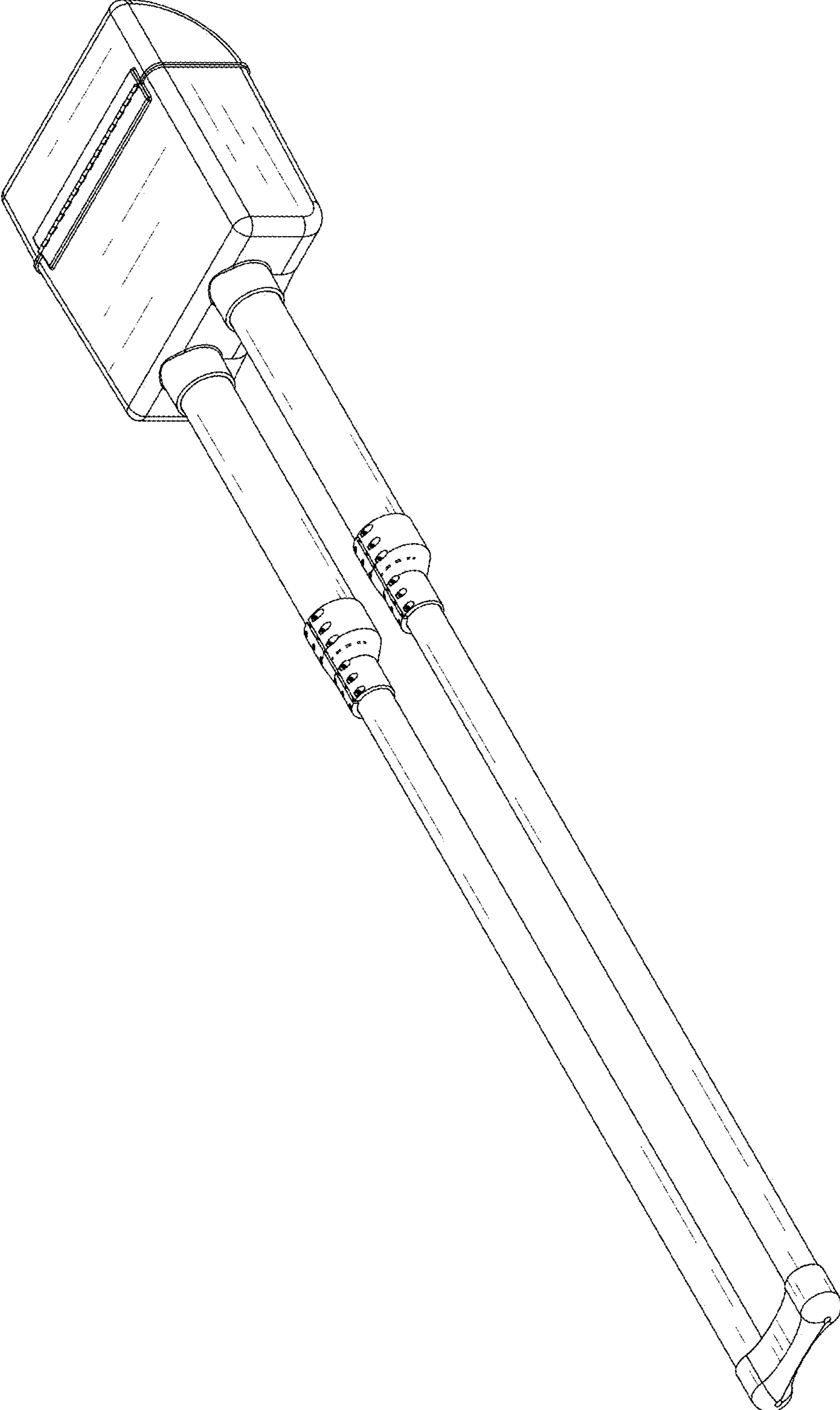


FIG. 1

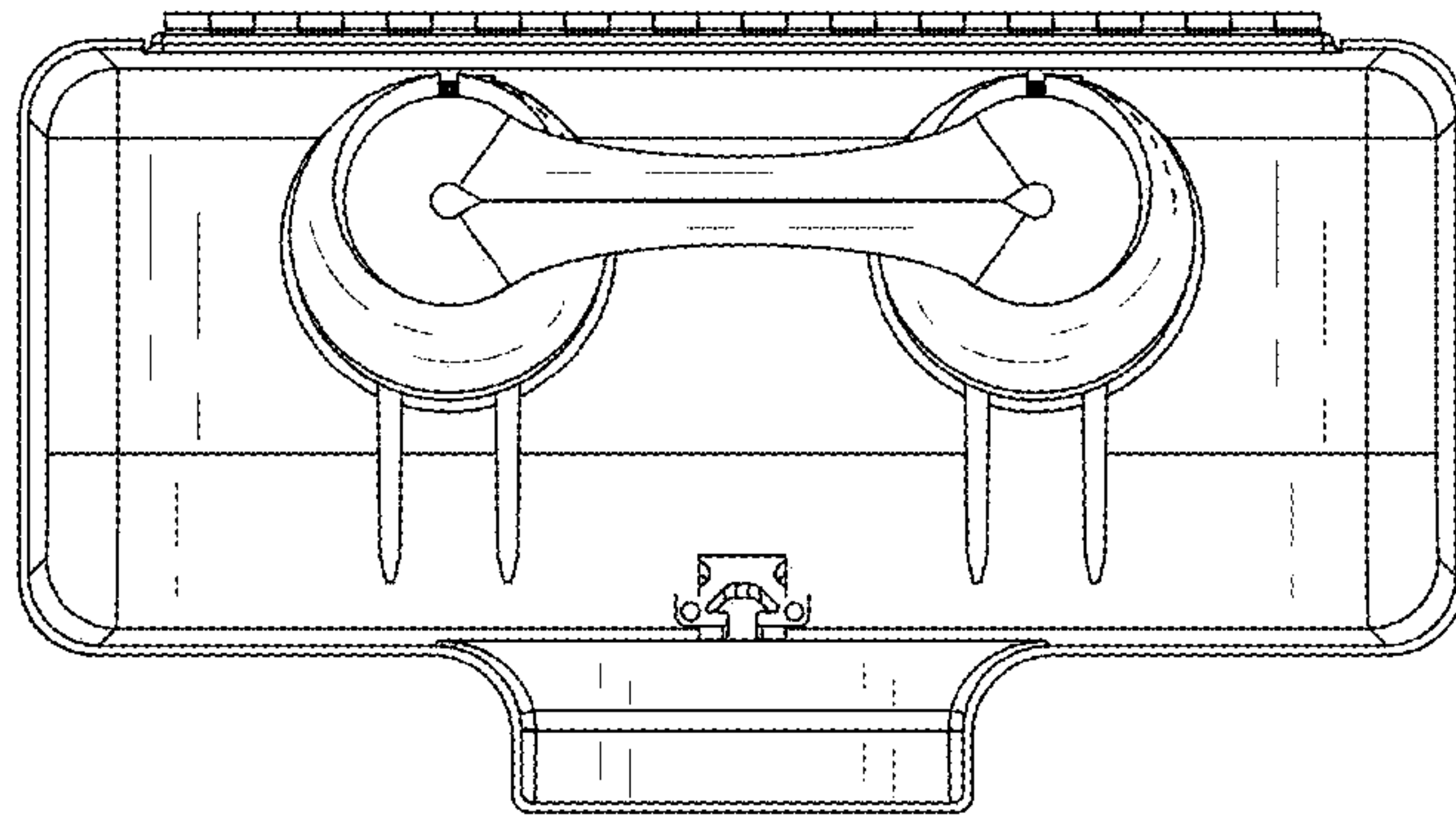


FIG. 2

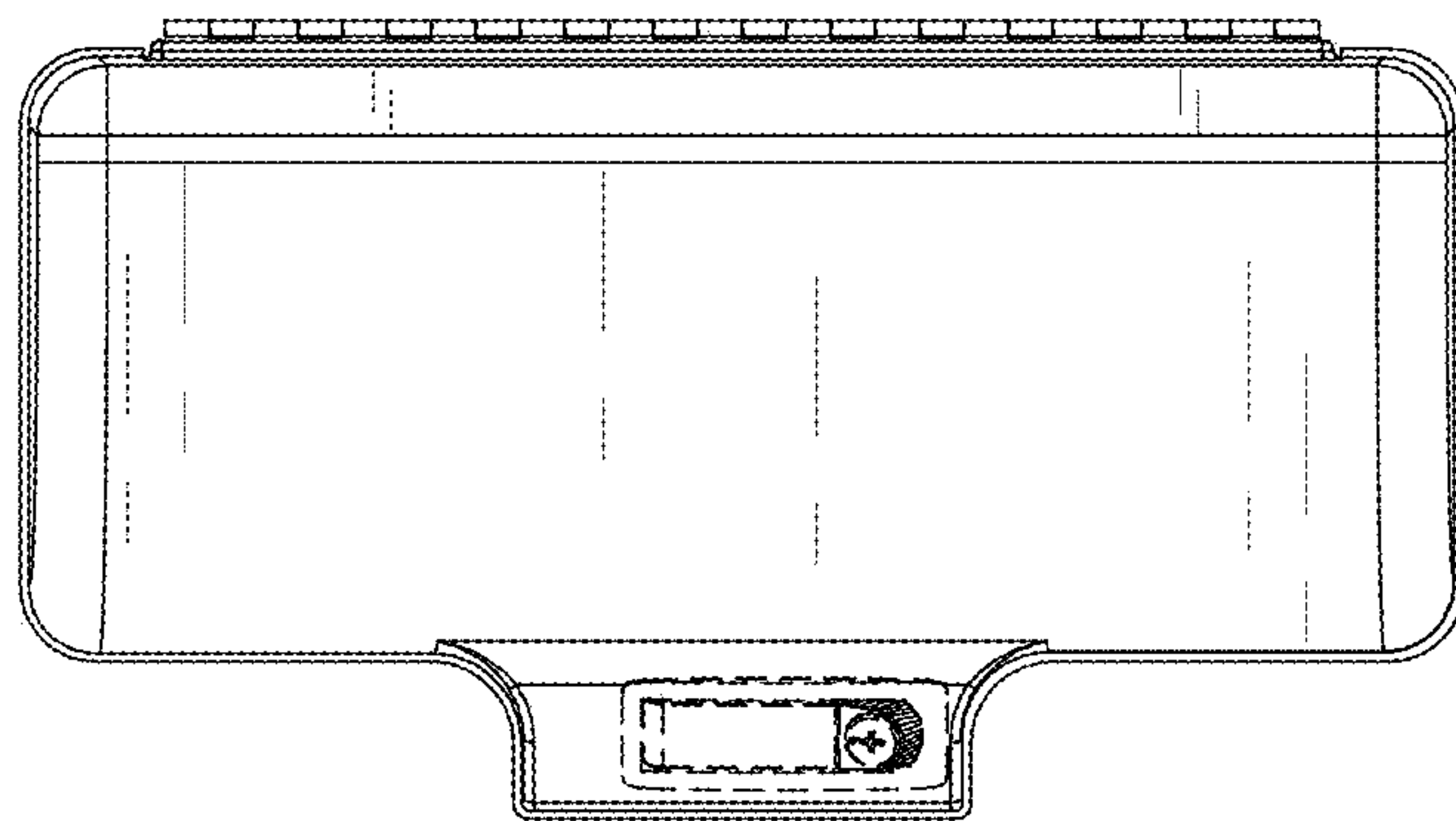


FIG. 3

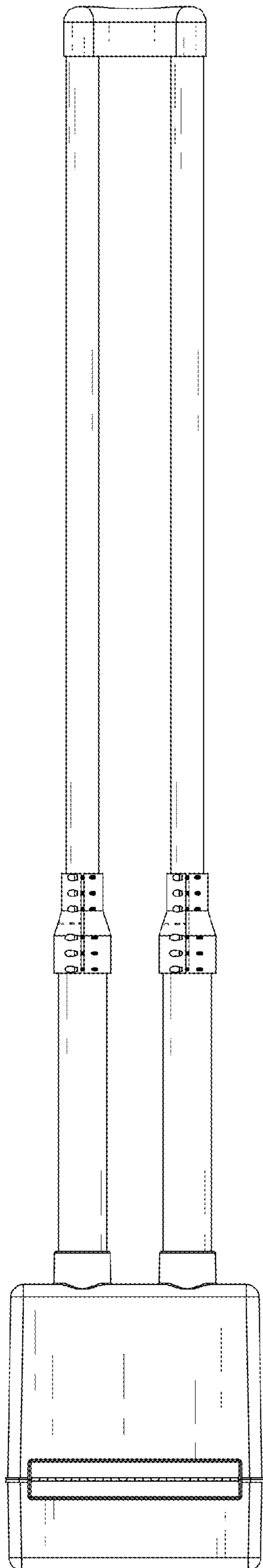


FIG. 4

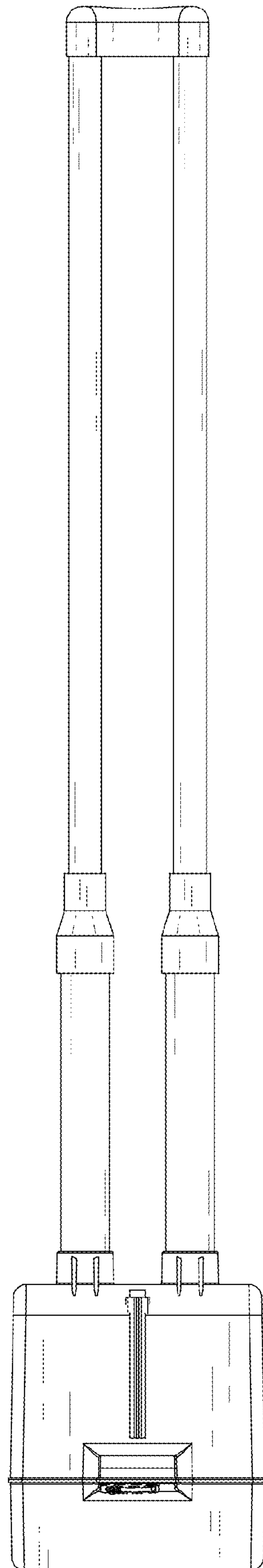


FIG. 5

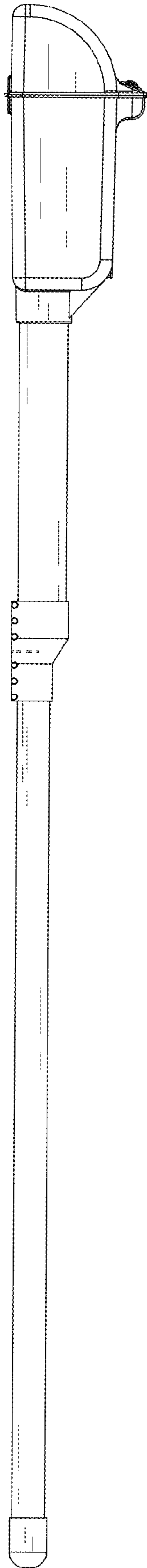


FIG. 6

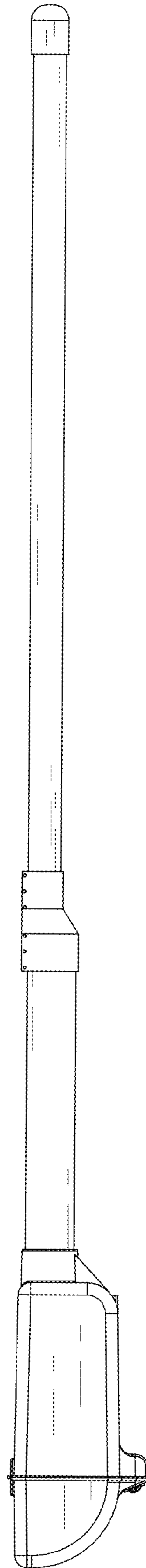


FIG. 7