



US00D887133S

(12) **United States Design Patent**
Adinolfe, Sr.

(10) **Patent No.:** **US D887,133 S**
(45) **Date of Patent:** **** Jun. 16, 2020**

- (54) **DIVE FIN ORGANIZER**
- (71) Applicant: **John Adinolfe, Sr.**, Palm Springs, FL (US)
- (72) Inventor: **John Adinolfe, Sr.**, Palm Springs, FL (US)
- (73) Assignee: **Finholder and More, LLC**
- (**) Term: **15 Years**
- (21) Appl. No.: **29/705,706**
- (22) Filed: **Sep. 13, 2019**

- 5,370,246 A * 12/1994 Traynor A61G 5/10
132/312
- 6,296,128 B1 * 10/2001 Isserstedt B42F 17/18
211/113
- 6,994,050 B2 * 2/2006 Johnson B63B 25/002
114/343
- D602,230 S * 10/2009 Shooshan D2/864
- 8,371,548 B1 * 2/2013 Bishop A45C 5/045
224/406

(Continued)

Related U.S. Application Data

- (63) Continuation-in-part of application No. 29/616,529, filed on Sep. 6, 2017.
- (51) **LOC (12) Cl.** **03-01**
- (52) **U.S. Cl.**
USPC **D3/254**
- (58) **Field of Classification Search**
USPC D3/221, 215, 224, 226, 228, 225, 230,
D3/10, 11, 20, 201, 227, 254, 259, 303,
D3/315, 317, 318, 319, 904, 328;
224/245, 671, 679, 680, 219, 222, 267,
224/269, 655, 406; D12/20, 42, 317,
D12/345, 106, 114, 133, 422, 426;
D2/863, 864
CPC B63B 25/002; B63B 2017/0054; B63B
17/00; Y10S 224/92; B60R 7/04; B60R
7/06; B65D 37/00
See application file for complete search history.

References Cited

U.S. PATENT DOCUMENTS

- 3,181,751 A * 5/1965 Wilson A01K 97/06
383/39
- 4,901,899 A * 2/1990 Barrett A01K 97/06
206/315.11

OTHER PUBLICATIONS

Finholder and More, posted at youtube.com, posted May 15, 2013, online, URL: <https://www.youtube.com/watch?v=tWjyulDworg> (Year: 2013).*

Primary Examiner — Lilyana Bekic

Assistant Examiner — Mary Shannon Malley

(74) *Attorney, Agent, or Firm* — Quickpatents, LLC; Kevin Prince

CLAIM

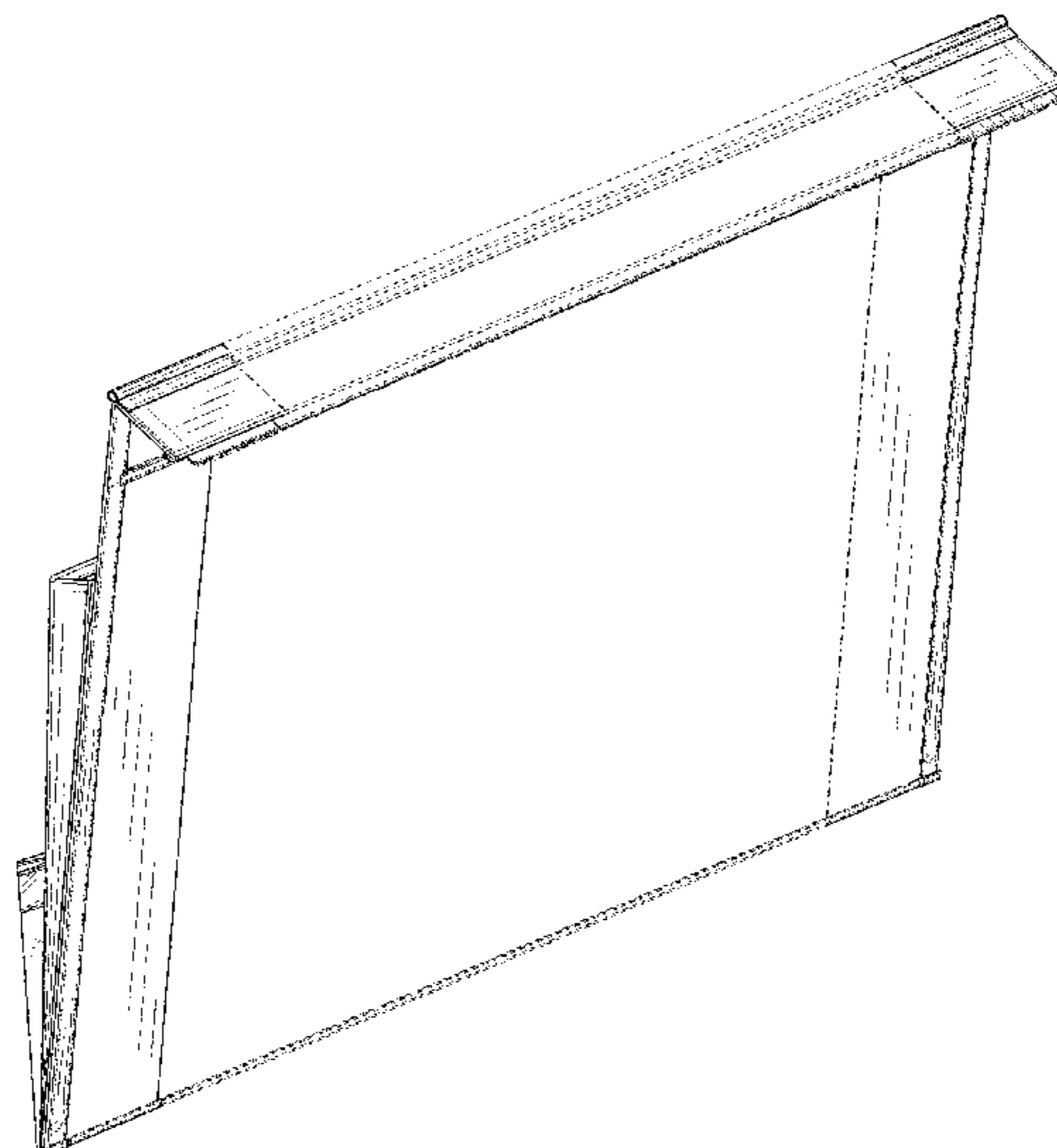
(57) The ornamental design for a dive fin organizer, as shown and described.

DESCRIPTION

FIG. 1 is a rear perspective view of a dive fin organizer, showing my new design;
 FIG. 2 is a front perspective view thereof;
 FIG. 3 is a front elevational view thereof;
 FIG. 4 is a rear elevational view thereof;
 FIG. 5 is a left-side elevational view thereof;
 FIG. 6 is a right-side elevational view thereof; and,
 FIG. 7 is a top plan view thereof.

The dot-dash broken lines in the figures define the boundaries of the claimed design and form no part thereof. The long dash broken lines depict portions of the dive fin organizer that form no part of the claimed design. The remaining short dash broken lines represent stitching, and are part of the claimed design.

1 Claim, 6 Drawing Sheets



(56)

References Cited

U.S. PATENT DOCUMENTS

D706,539 S * 6/2014 Hondos D3/303
D726,395 S * 4/2015 Lewis D2/864
D733,432 S * 7/2015 Johnson D3/318
D782,815 S * 4/2017 Hernandez D3/203.5

* cited by examiner

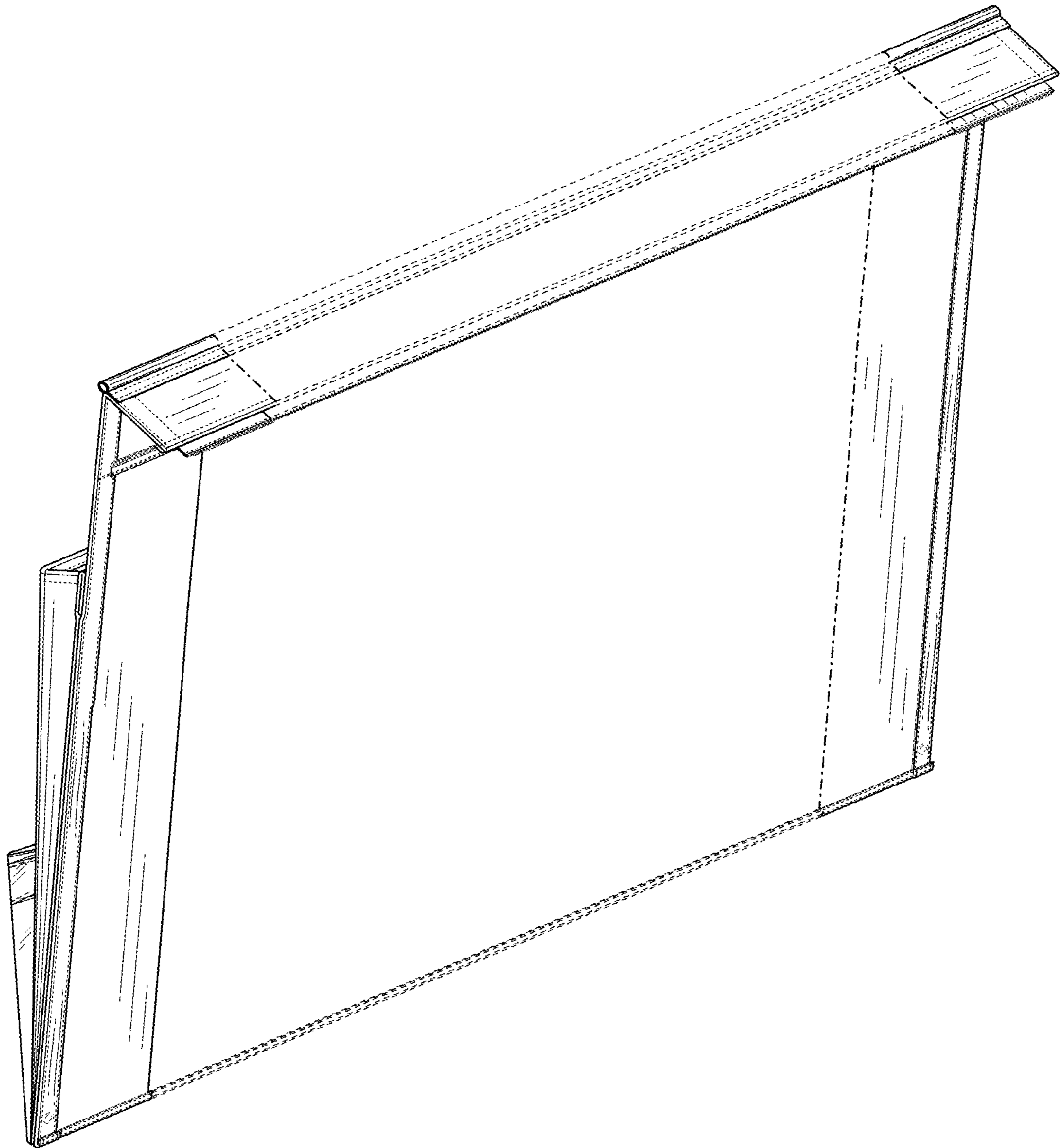


FIG. 1

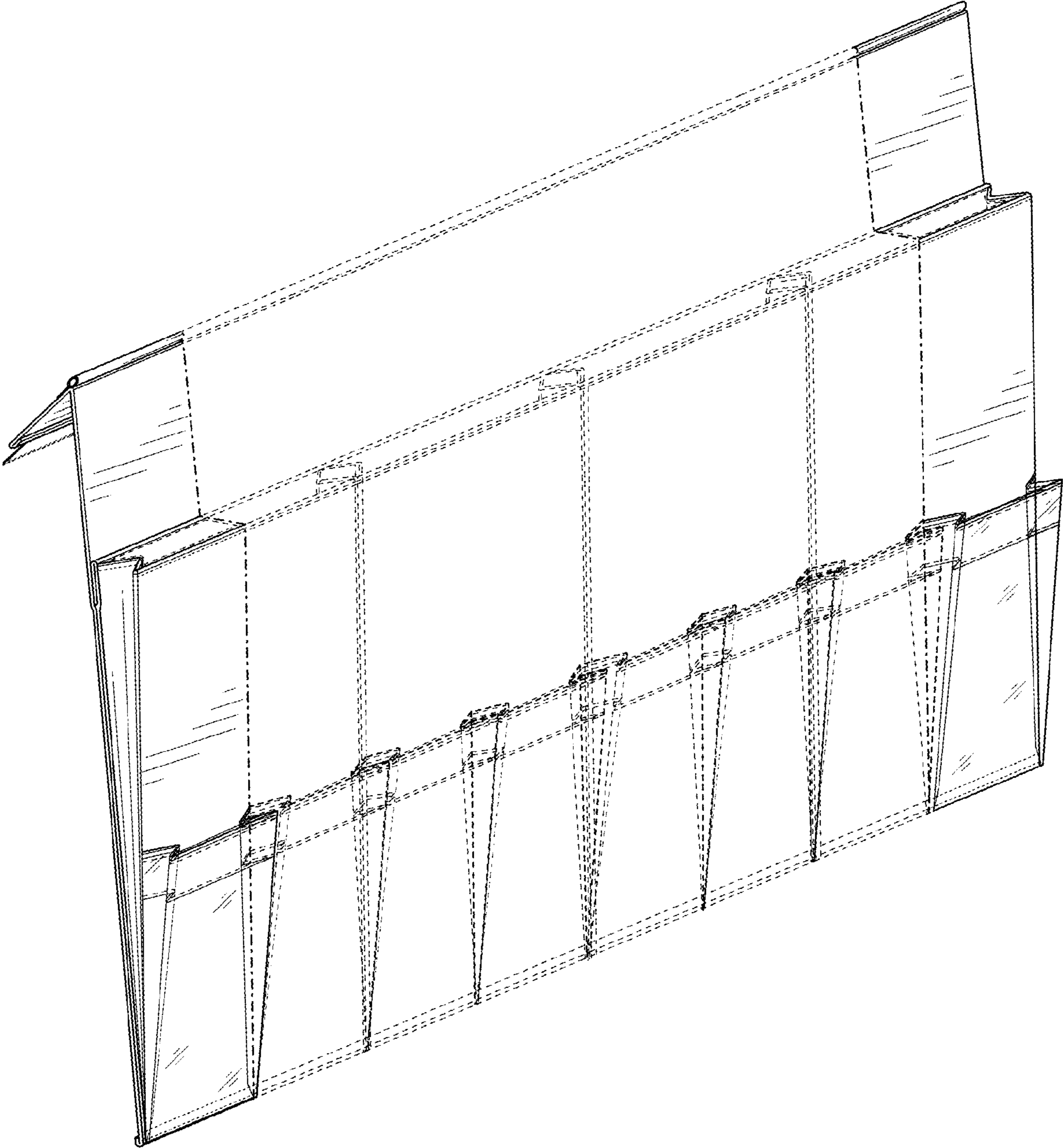


FIG. 2

FIG. 3

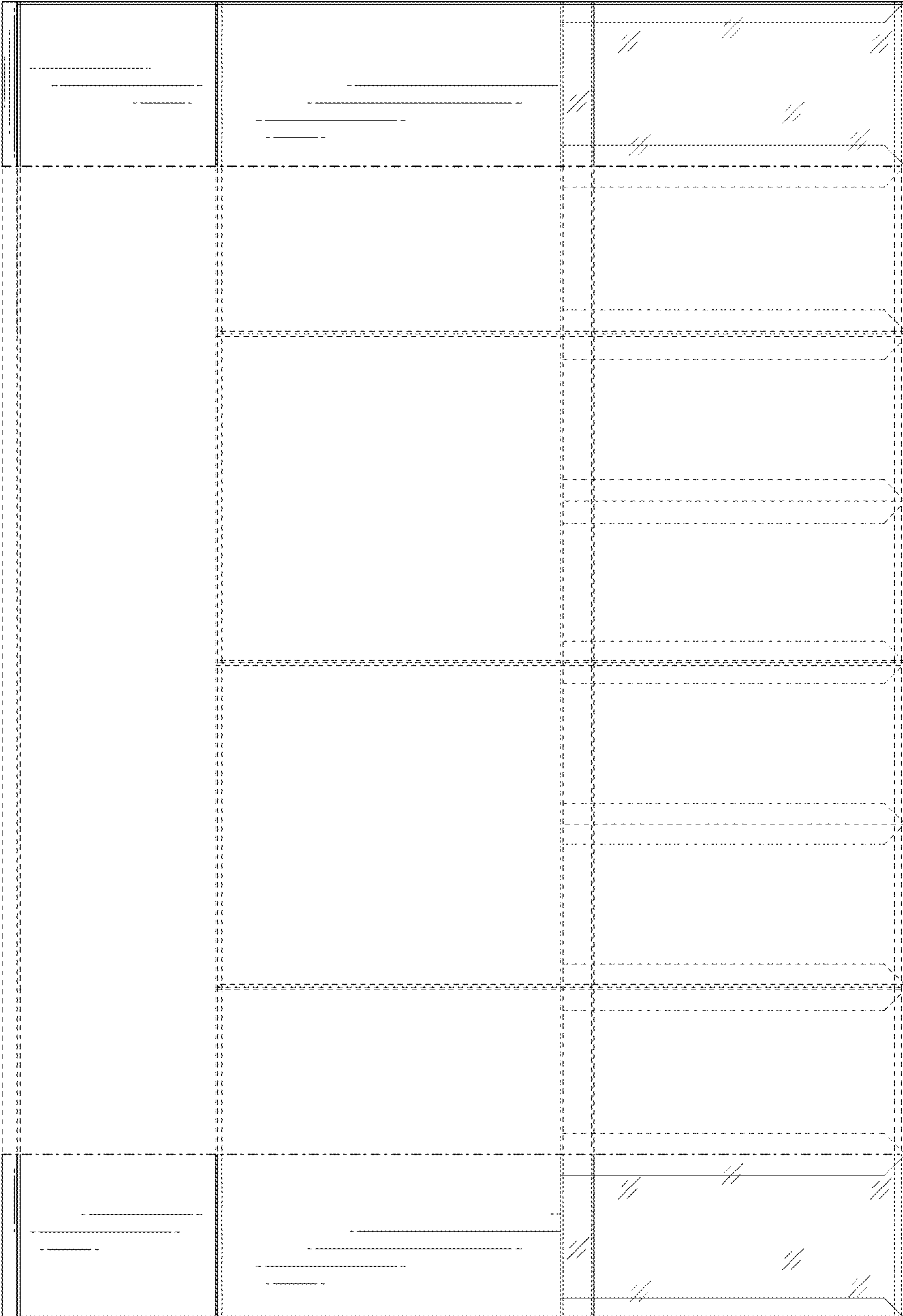
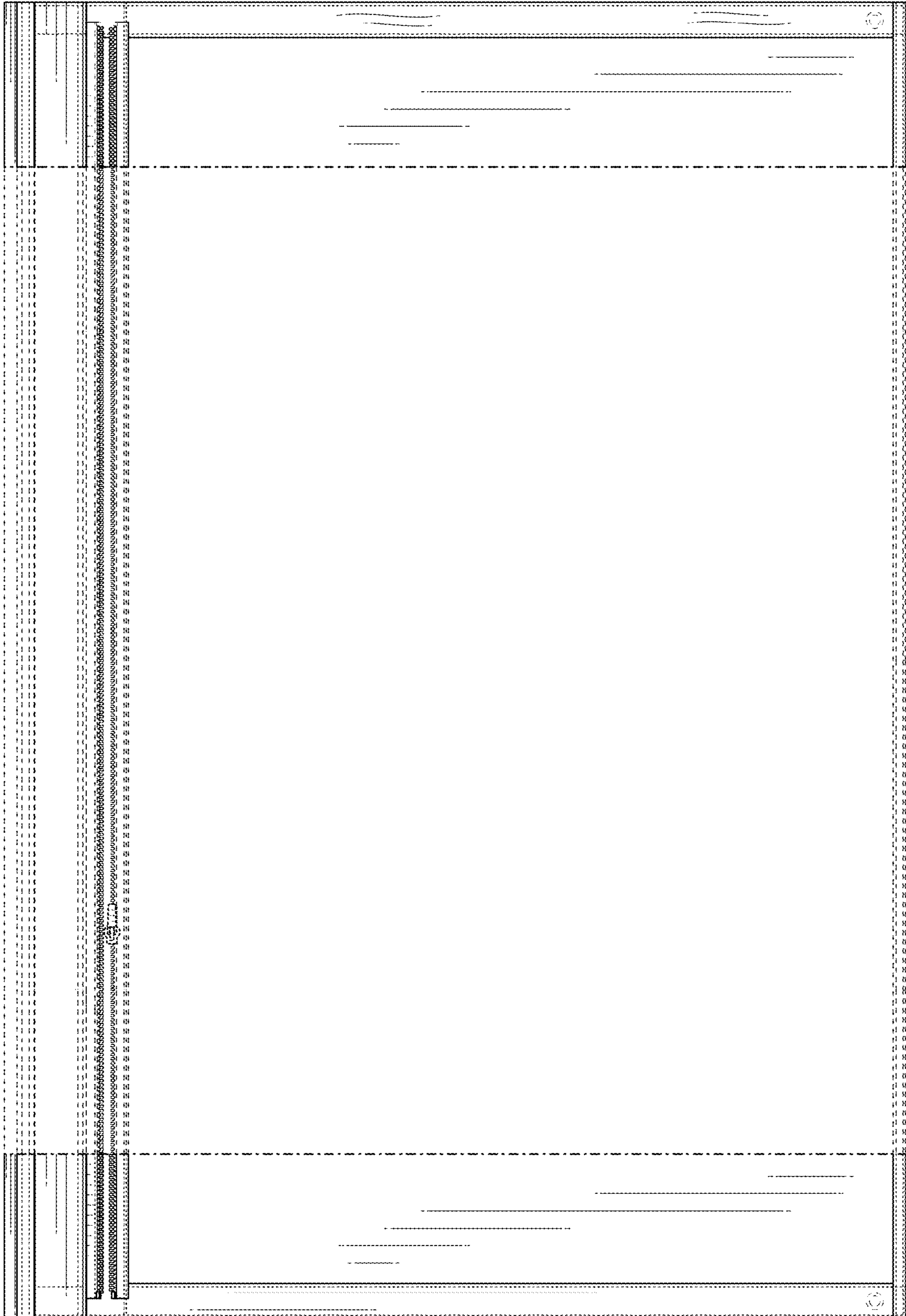


FIG. 4



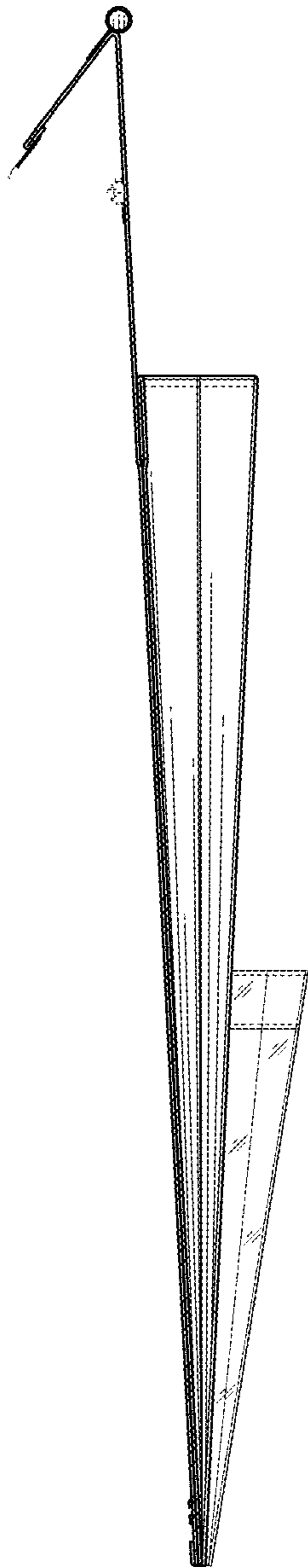


FIG. 5

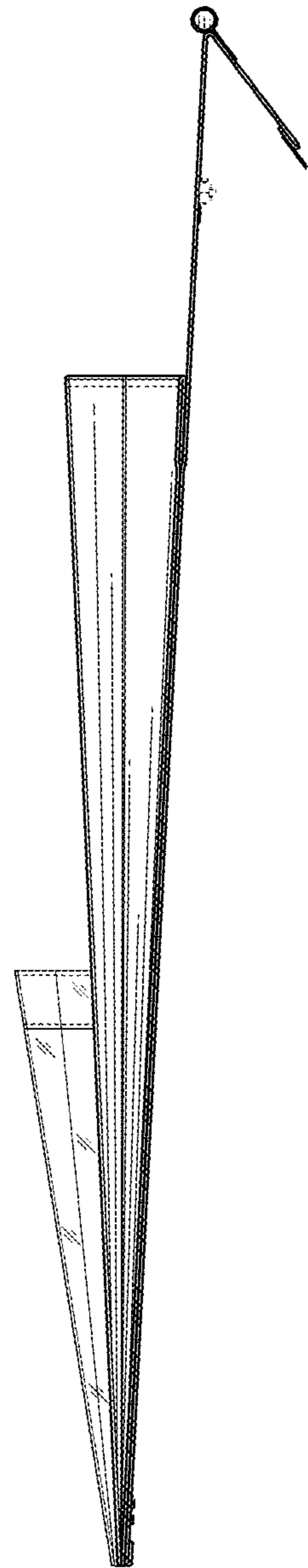


FIG. 6

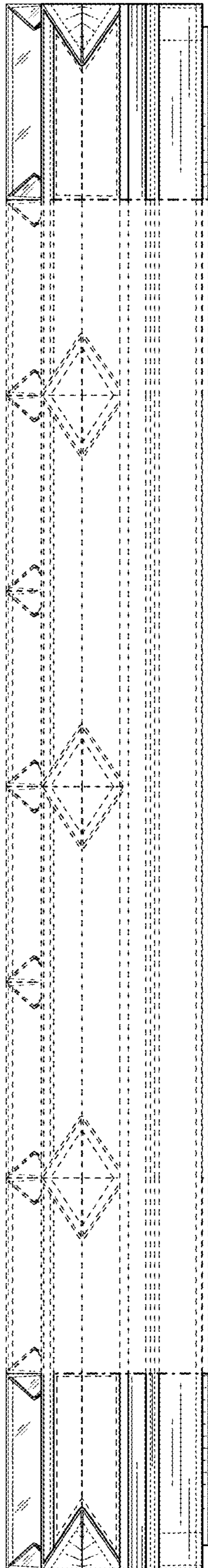


FIG. 7