



US00D887130S

(12) **United States Design Patent**
Pham

(10) **Patent No.:** **US D887,130 S**

(45) **Date of Patent:** **** Jun. 16, 2020**

(54) **HANDBAG SET**

(71) Applicant: **Thanh Pham**, Boston, MA (US)

(72) Inventor: **Thanh Pham**, Boston, MA (US)

(**) Term: **15 Years**

(21) Appl. No.: **29/668,661**

(22) Filed: **Oct. 31, 2018**

(51) **LOC (12) Cl.** **03-01**

(52) **U.S. Cl.**
USPC **D3/232**

(58) **Field of Classification Search**
USPC D3/232-234, 238, 240-243, 245-246
CPC A45C 1/024; A45C 3/06
See application file for complete search history.

(56) **References Cited**

U.S. PATENT DOCUMENTS

D51,351 S *	10/1917	Summers	D3/240
D101,792 S *	11/1936	Resnick	D3/246
D122,628 S *	9/1940	Lewis	D3/240
2,745,524 A *	5/1956	Plotkin	A45C 11/02
				190/115
D248,891 S *	8/1978	Pfleger	D3/246
D260,325 S *	8/1981	Davis	D3/234
D351,320 S *	10/1994	Minor	D3/246
D414,082 S *	9/1999	Keene	D3/246
D420,508 S *	2/2000	Kohlhase	D3/232

D753,914 S *	4/2016	Van Migem	D3/232
D781,051 S *	3/2017	Leopardi	D3/232
D834,811 S *	12/2018	Nair	D3/232
D840,149 S *	2/2019	Lemaire	D3/240

* cited by examiner

Primary Examiner — Holly H Baynham

(74) *Attorney, Agent, or Firm* — SIMI Law Group, P.C.

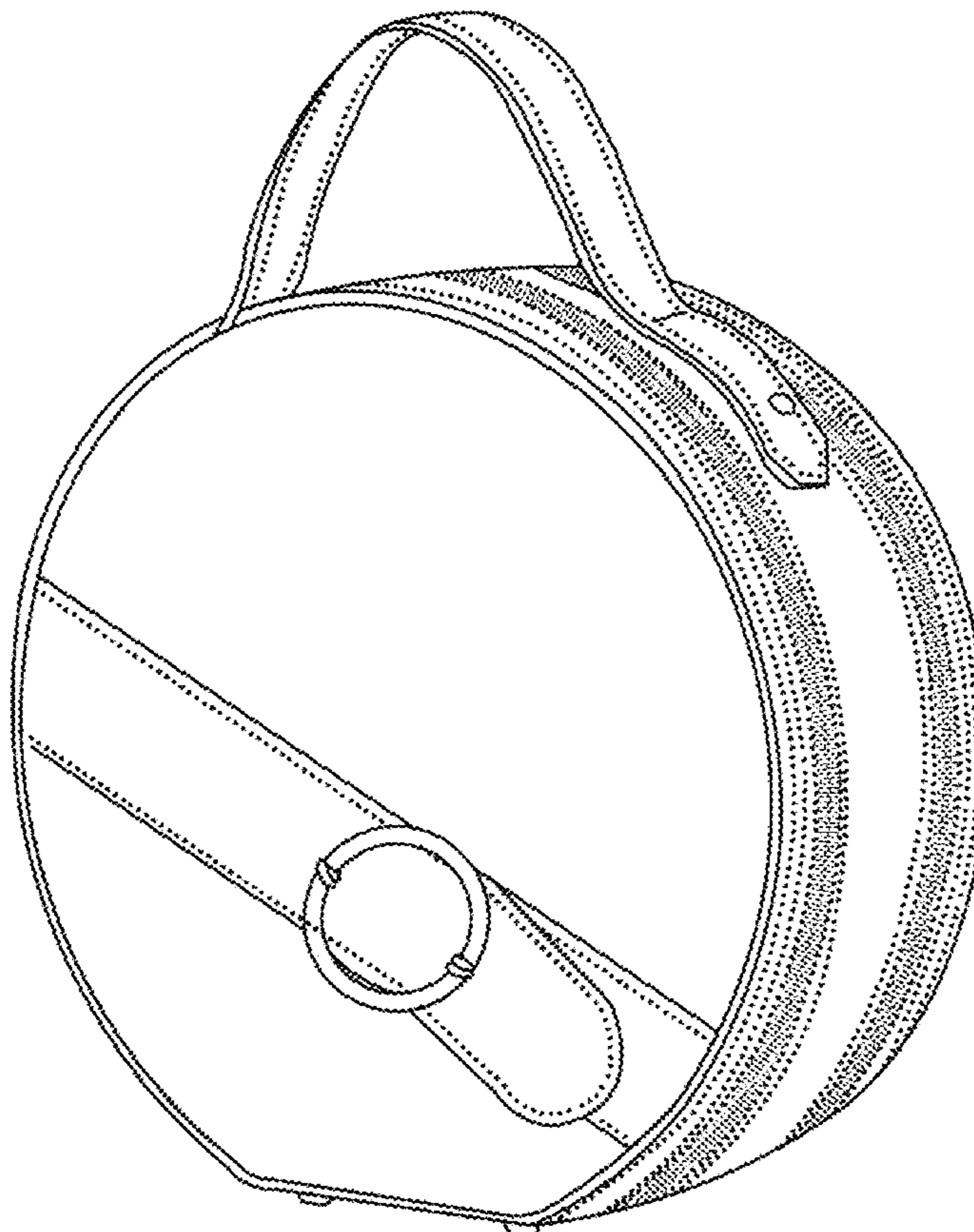
(57) **CLAIM**

The ornamental design for a handbag set, as shown and described.

DESCRIPTION

FIG. 1 is a front perspective view of a handbag set;
 FIG. 2 is a front view thereof;
 FIG. 3 is a back view thereof;
 FIG. 4 is a right view thereof;
 FIG. 5 is a left view thereof;
 FIG. 6 is a top view thereof;
 FIG. 7 is a bottom view thereof;
 FIG. 8 is a top view of the handbag set in a partially open position;
 FIG. 9 is a front view thereof showing the first compartment partially open;
 FIG. 10 is a back view thereof showing the second compartment partially open; and,
 FIG. 11 is a top perspective view of the second compartment in a fully open position showing a cover for a semi circle removable mirror in an open or close position.
 Broken lines in FIGS. 1-2 and 8 represent stitching.

1 Claim, 11 Drawing Sheets



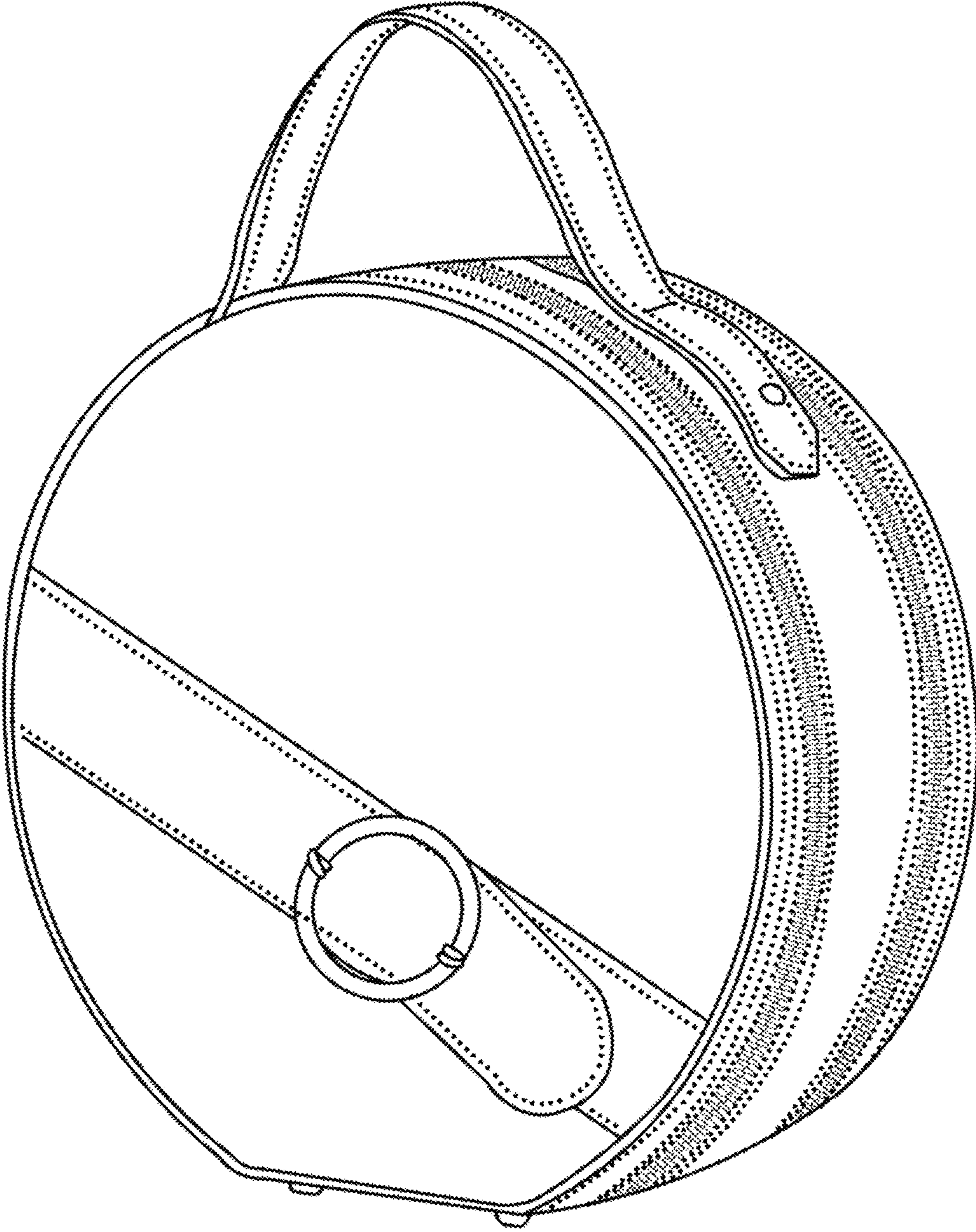


FIG. 1

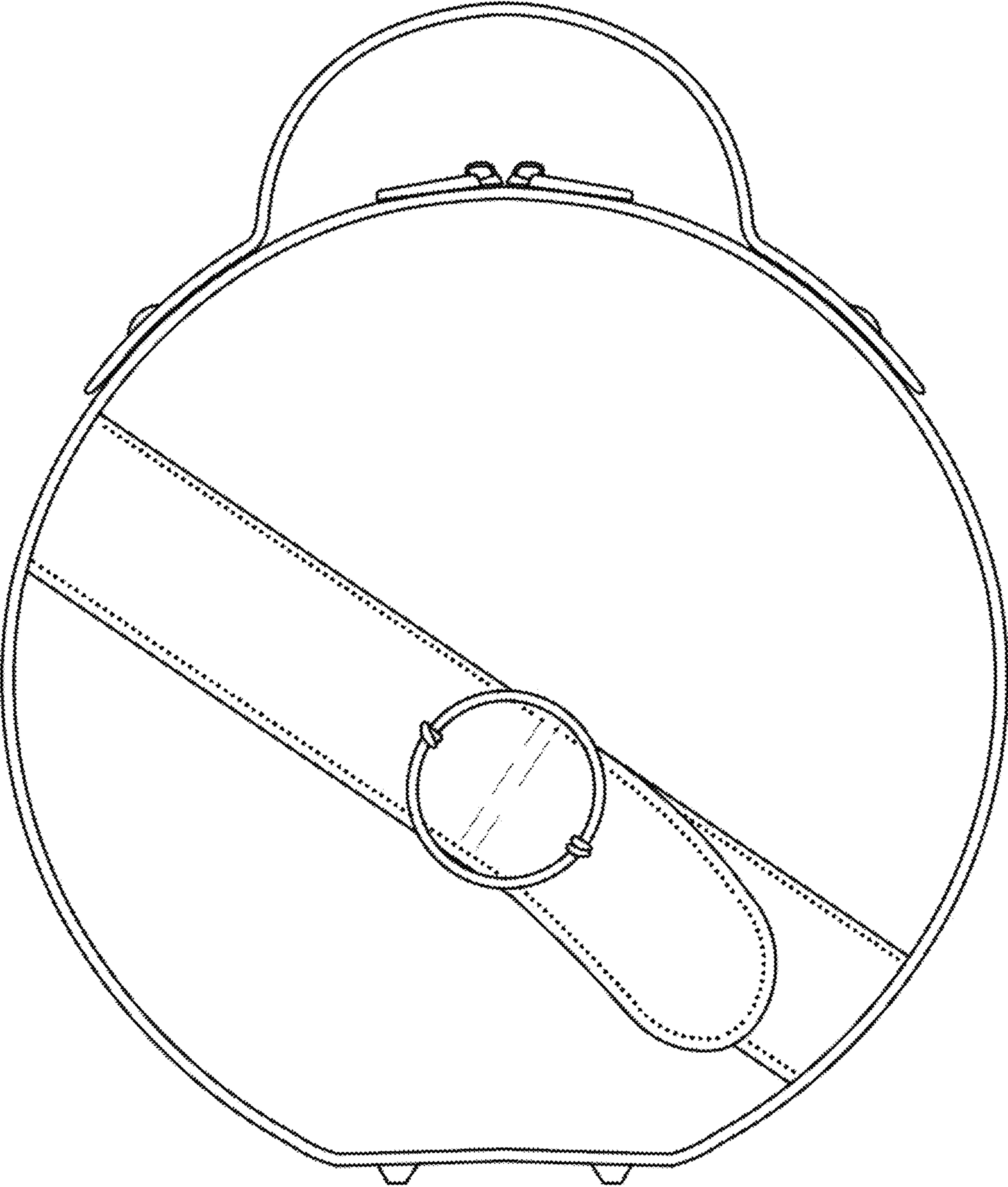


FIG. 2

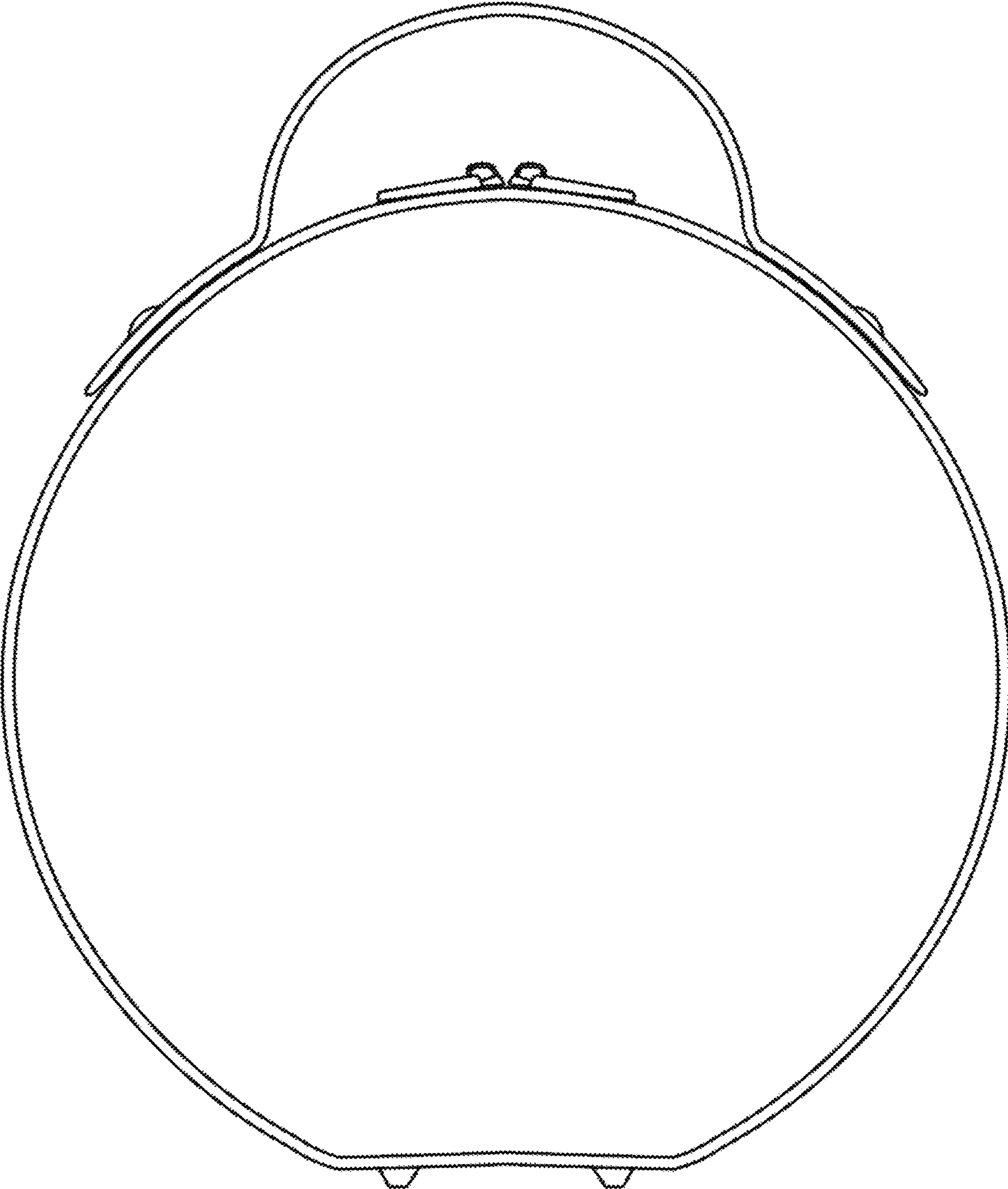


FIG. 3

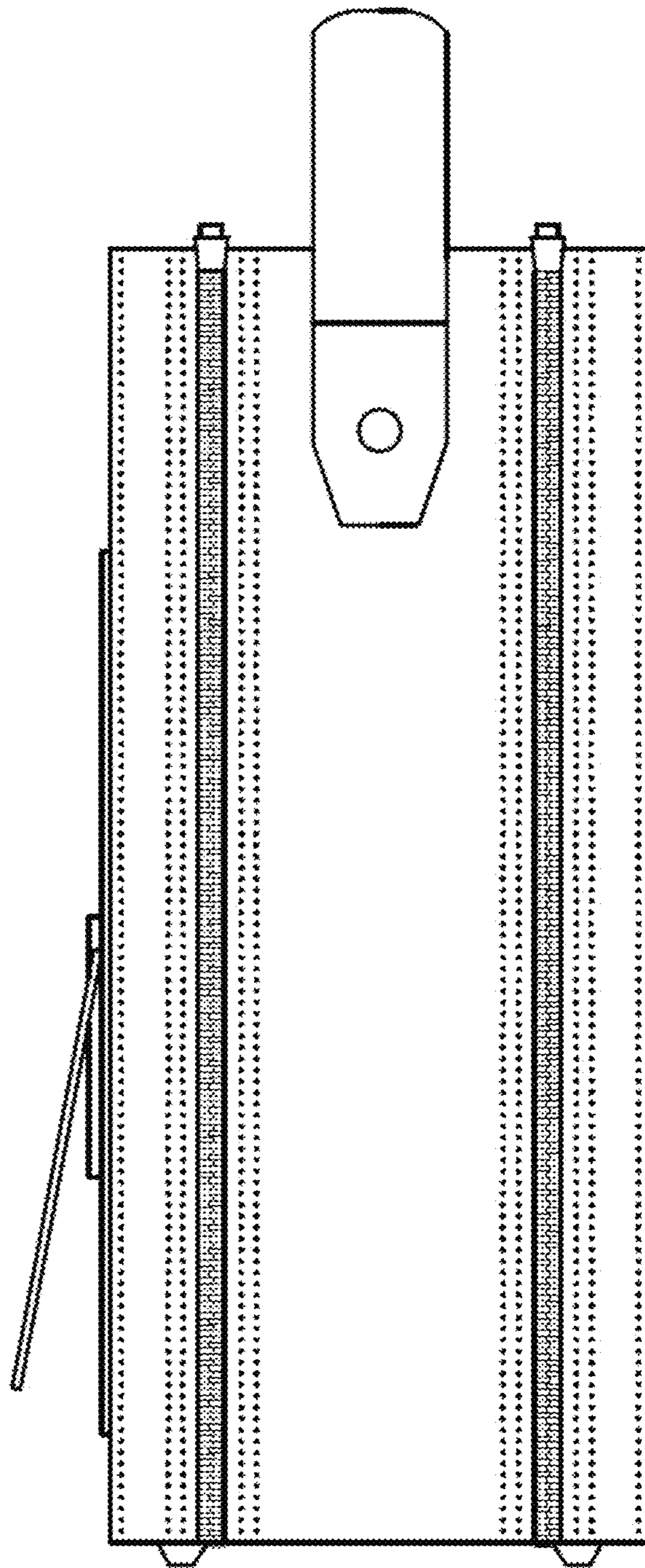


FIG. 4

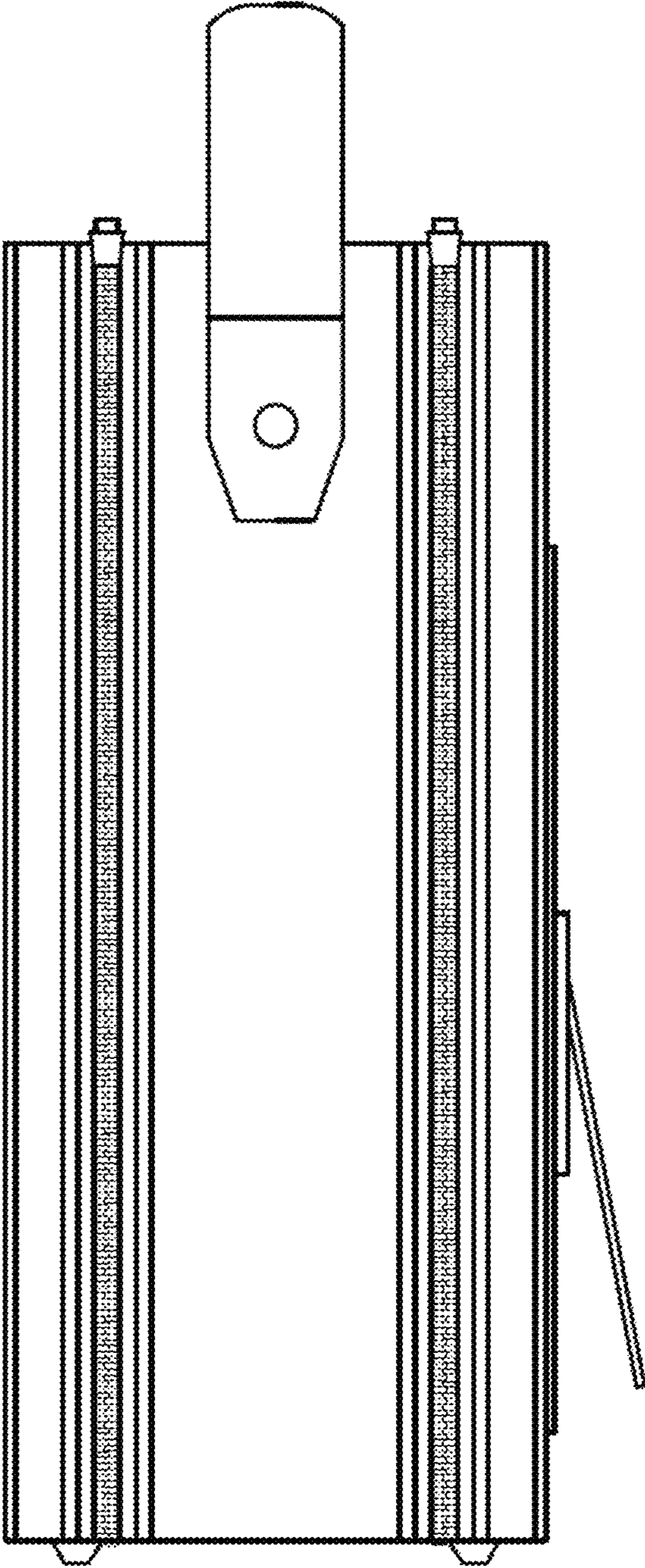


FIG. 5

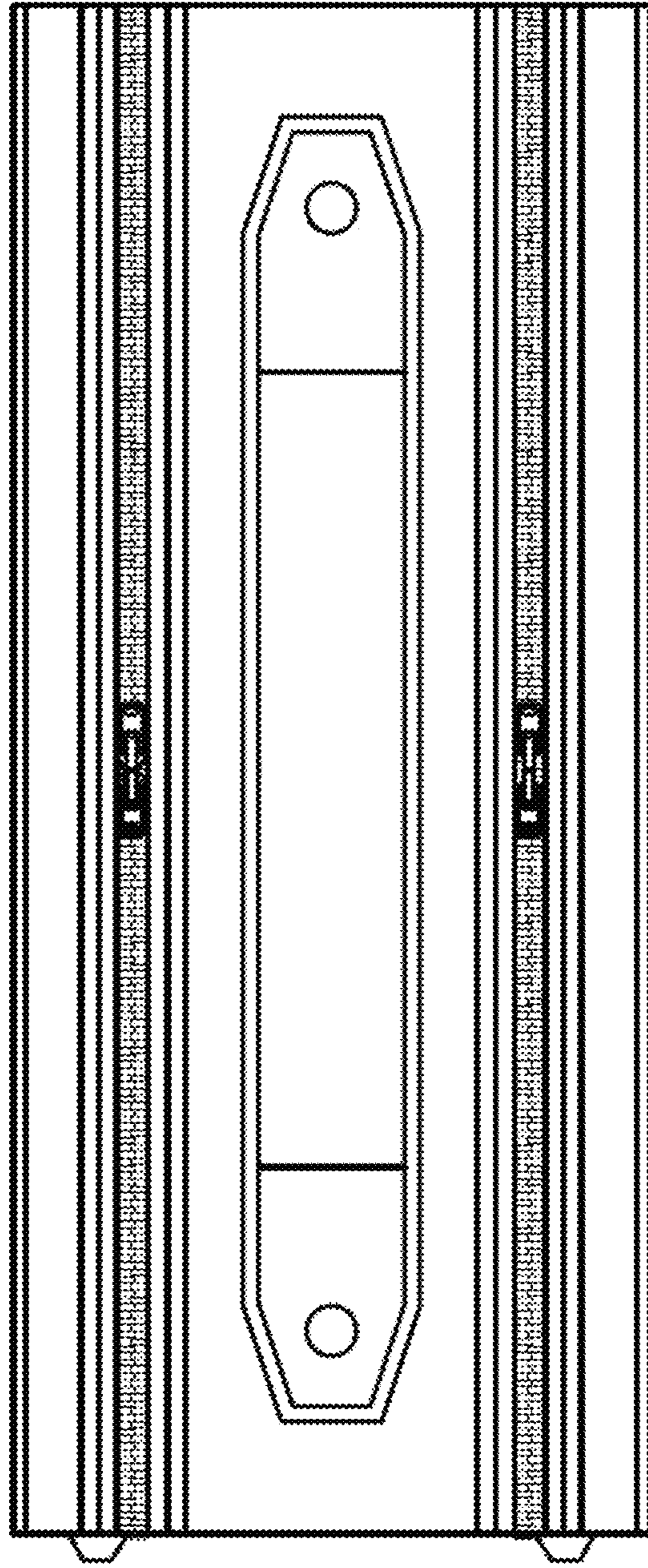


FIG. 6

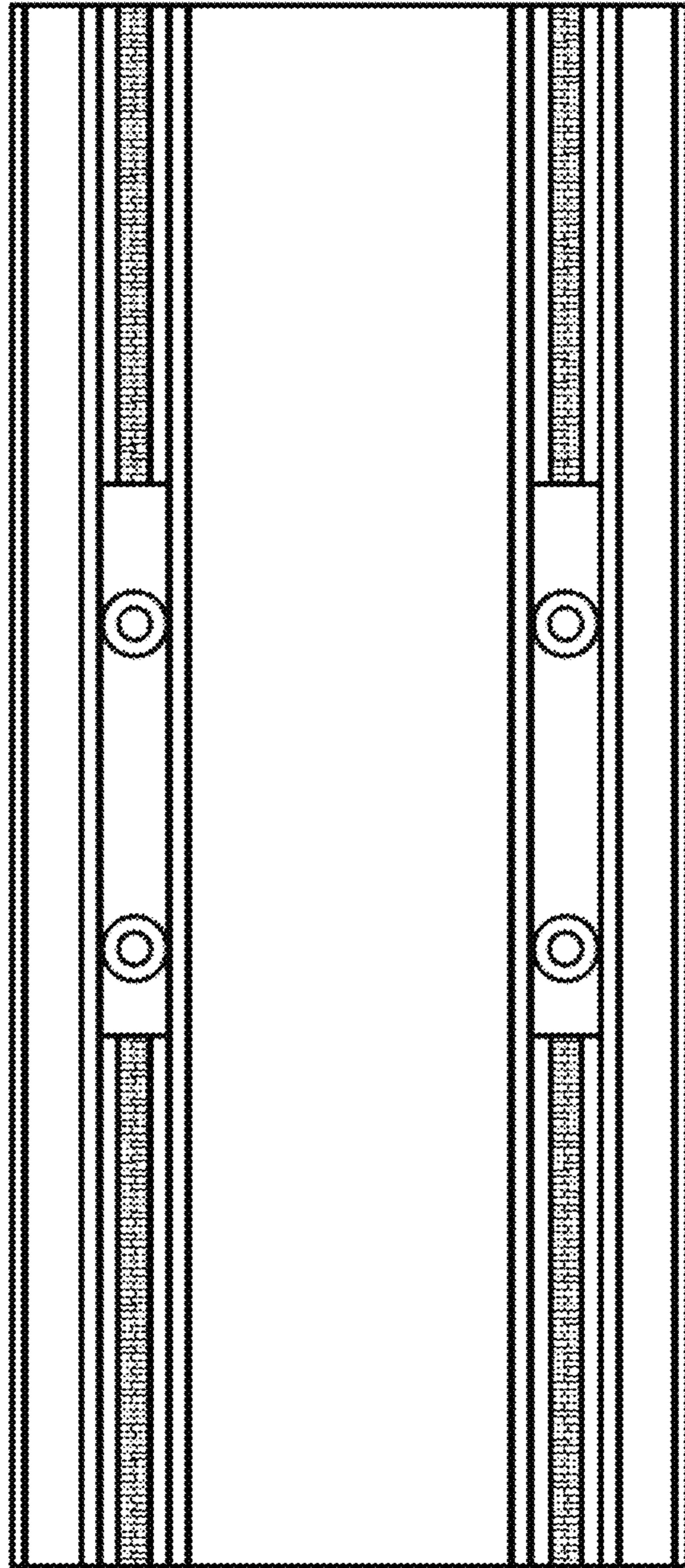


FIG. 7

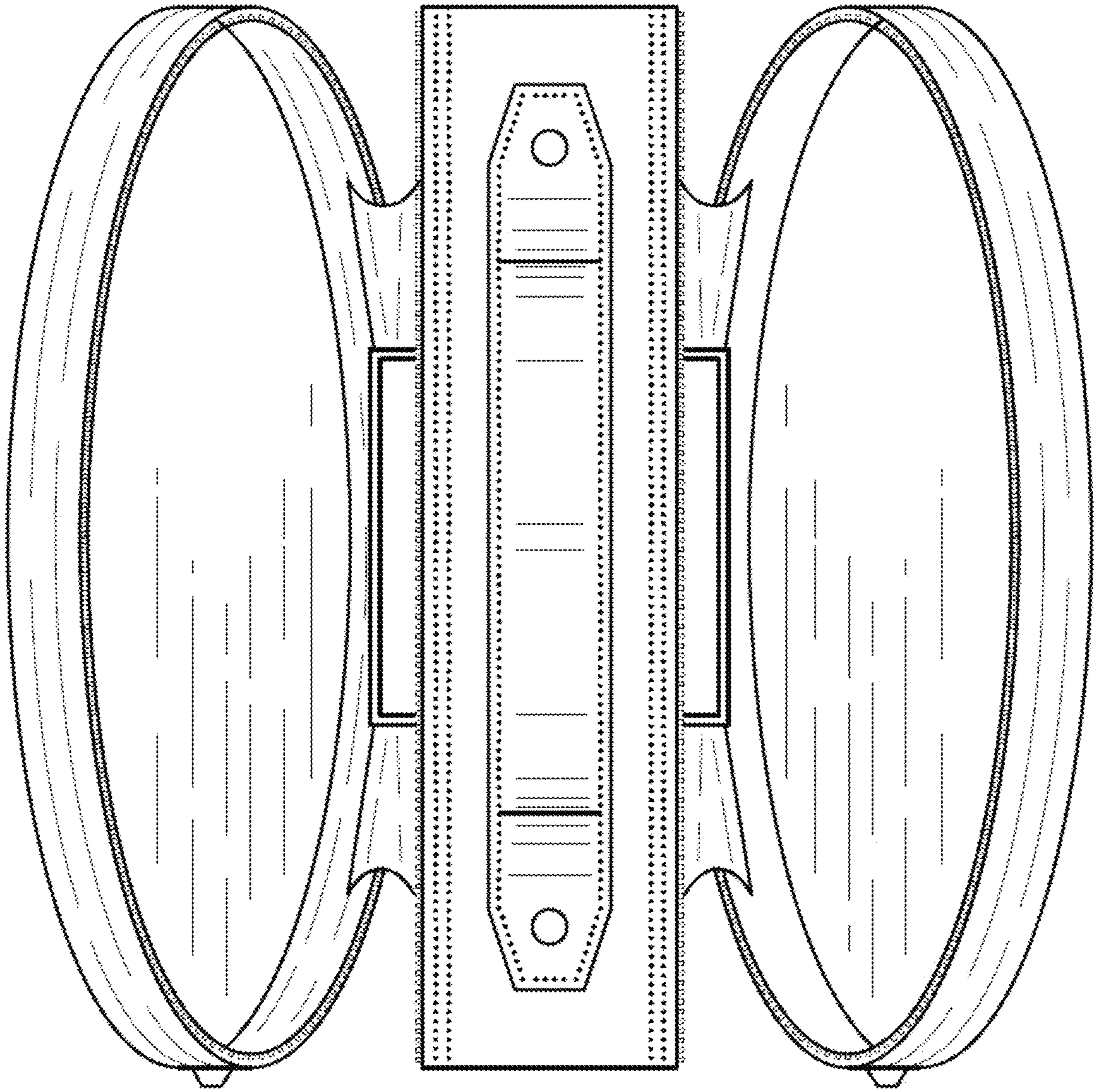


FIG. 8

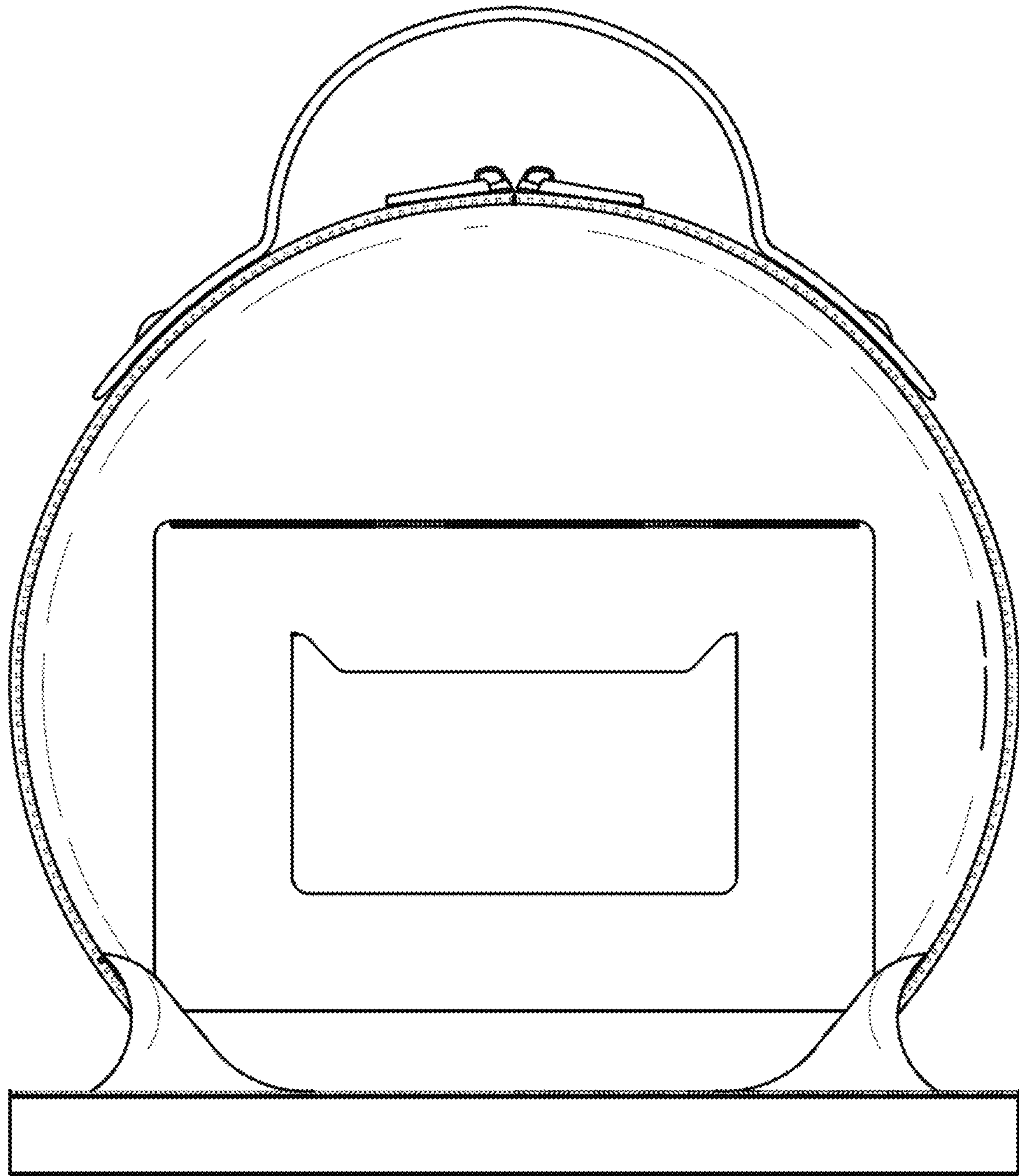


FIG. 9

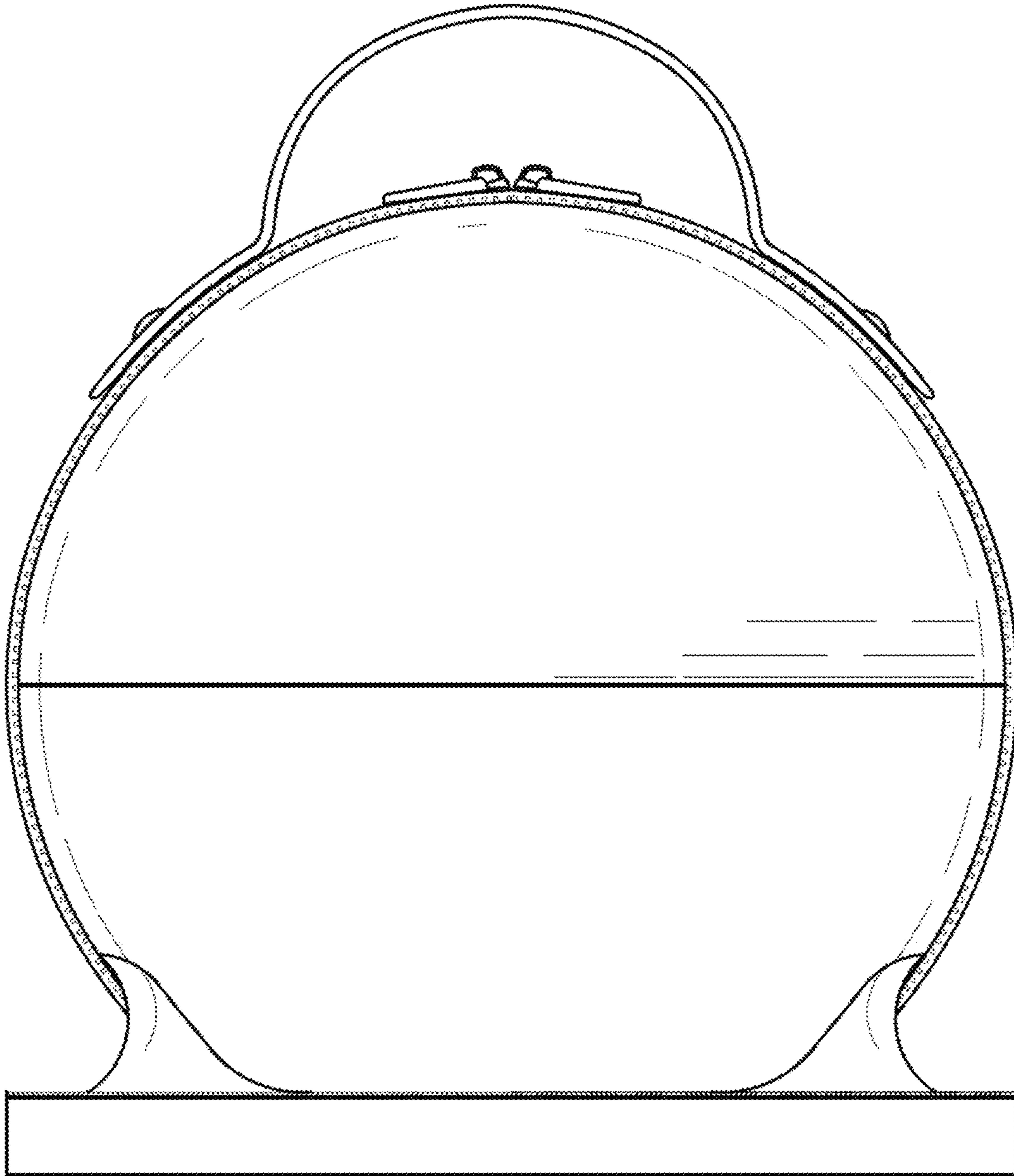


FIG. 10

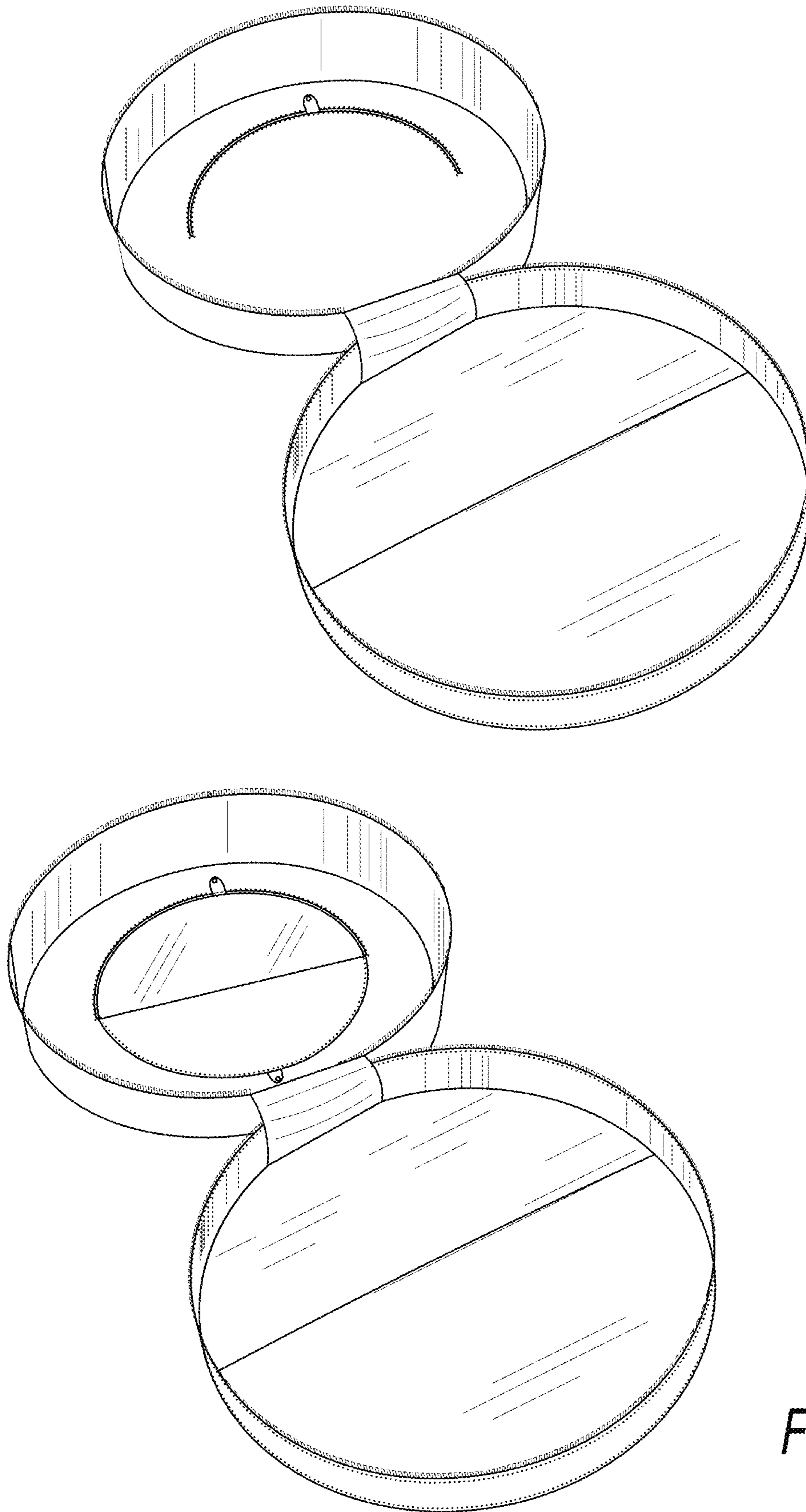


FIG. 11