



US00D887116S

(12) **United States Design Patent**
Ringholz et al.

(10) **Patent No.:** **US D887,116 S**

(45) **Date of Patent:** **** Jun. 16, 2020**

(54) **HI-TOP SHOE**

(71) Applicant: **Plae, Inc.**, San Francisco, CA (US)

(72) Inventors: **Ryan Ringholz**, Mill Valley, CA (US);
Christine Bettencourt, San Francisco, CA (US)

(73) Assignee: **PLAE, INC.**, San Francisco, CA (US)

(**) Term: **15 Years**

(21) Appl. No.: **29/647,722**

(22) Filed: **May 15, 2018**

(51) **LOC (12) Cl.** **02-04**

(52) **U.S. Cl.**
USPC **D2/969**

(58) **Field of Classification Search**
USPC D2/896, 897, 902, 904, 906-908, 910,
D2/944, 969, 972-974; D5/47, 49, 50,
D5/53, 54, 56, 60
CPC ... A43B 13/181; A43B 13/141; A43B 13/186;
A43B 13/188; A43B 23/00; A43B 23/02;
A43B 5/00; A43B 23/26; A43B 1/04;
A43B 11/14; A43B 7/00; A43B 3/12;
A43C 3/00; A43C 5/00; A43C 7/00;
A43C 11/004

See application file for complete search history.

(56) **References Cited**

U.S. PATENT DOCUMENTS

D642,369 S * 8/2011 Miner D2/972
D649,752 S * 12/2011 Kampff D2/911
D688,857 S * 9/2013 Teng-Lee D2/969

D738,084 S * 9/2015 Feeney D2/907
D787,805 S * 5/2017 Raasch D2/972
D793,065 S * 8/2017 Cin D2/972
D797,412 S * 9/2017 Taestensen D2/902
D799,194 S * 10/2017 Hardman D2/973
D832,566 S * 11/2018 Kuerbis D2/972
D838,093 S * 1/2019 Nakamura D2/969
D838,948 S * 1/2019 Sassi D2/902
D855,949 S * 8/2019 Sassi D2/902
D857,369 S * 8/2019 Winfield D2/973
D866,929 S * 11/2019 Kuerbis D2/902

* cited by examiner

Primary Examiner — Dominic V Simone

(74) *Attorney, Agent, or Firm* — Wilmer Cutler Pickering
Hale and Dorr LLP

(57) **CLAIM**

The design for a hi-top shoe, as shown and described.

DESCRIPTION

FIG. 1 is a perspective view of the shoe of the present invention.

FIG. 2 is a perspective view of the shoe shown in FIG. 1 taken from the opposite side of the shoe shown in FIG. 1.

FIG. 3 is a left side view of the shoe shown in FIG. 1.

FIG. 4 is a right side view of the shoe shown in FIG. 1.

FIG. 5 is a top view of the shoe shown in FIG. 1.

FIG. 6 is a rear view of the shoe shown in FIG. 1; and,

FIG. 7 is a front view of the shoe shown in FIG. 1.

The broken lines below the upper for the shoe represent unclaimed subject matter and form no part of the claimed design. The broken lines on the upper for shoe represent stitching that forms part of the claimed design.

1 Claim, 6 Drawing Sheets



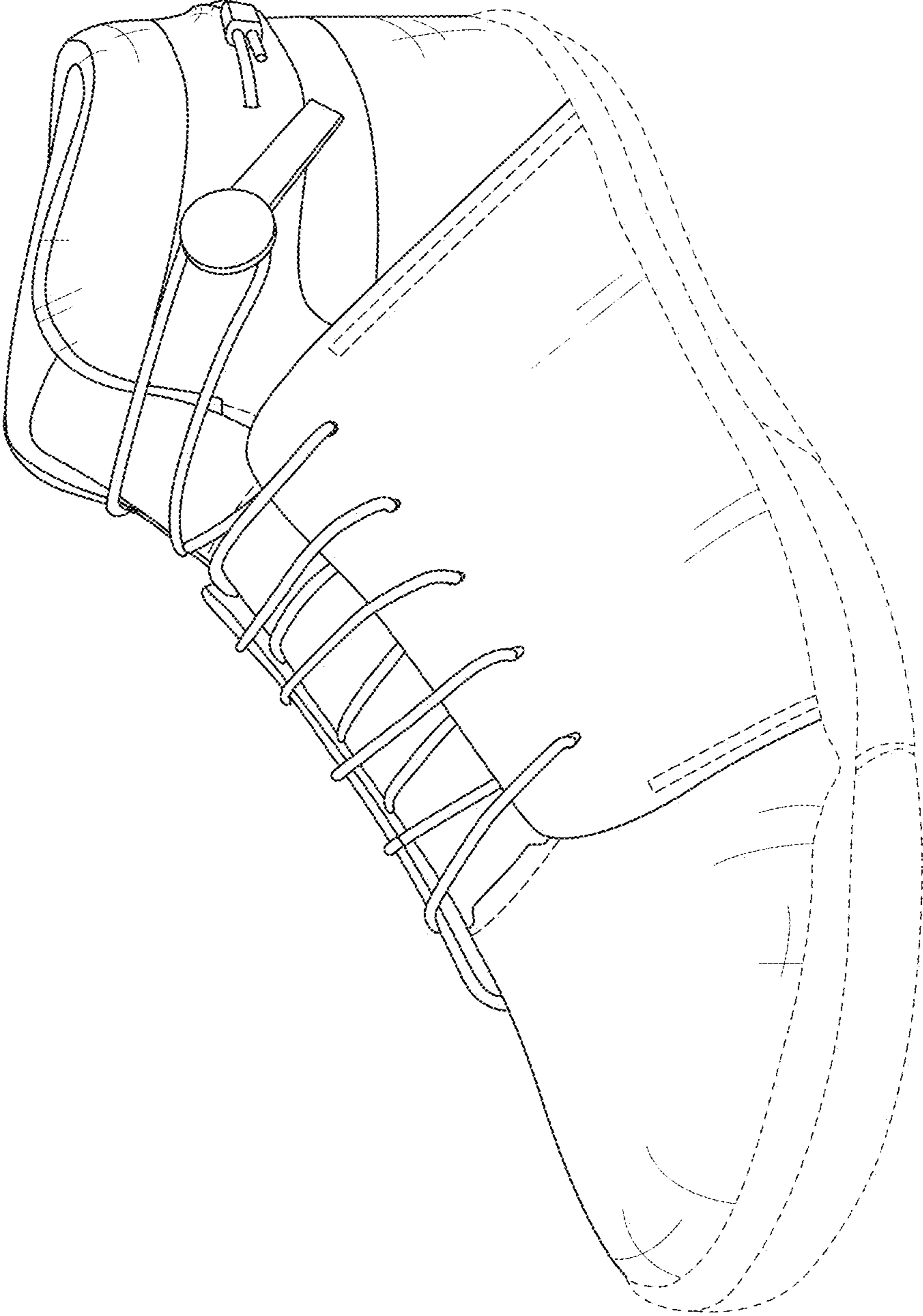


FIG. 1

FIG. 2

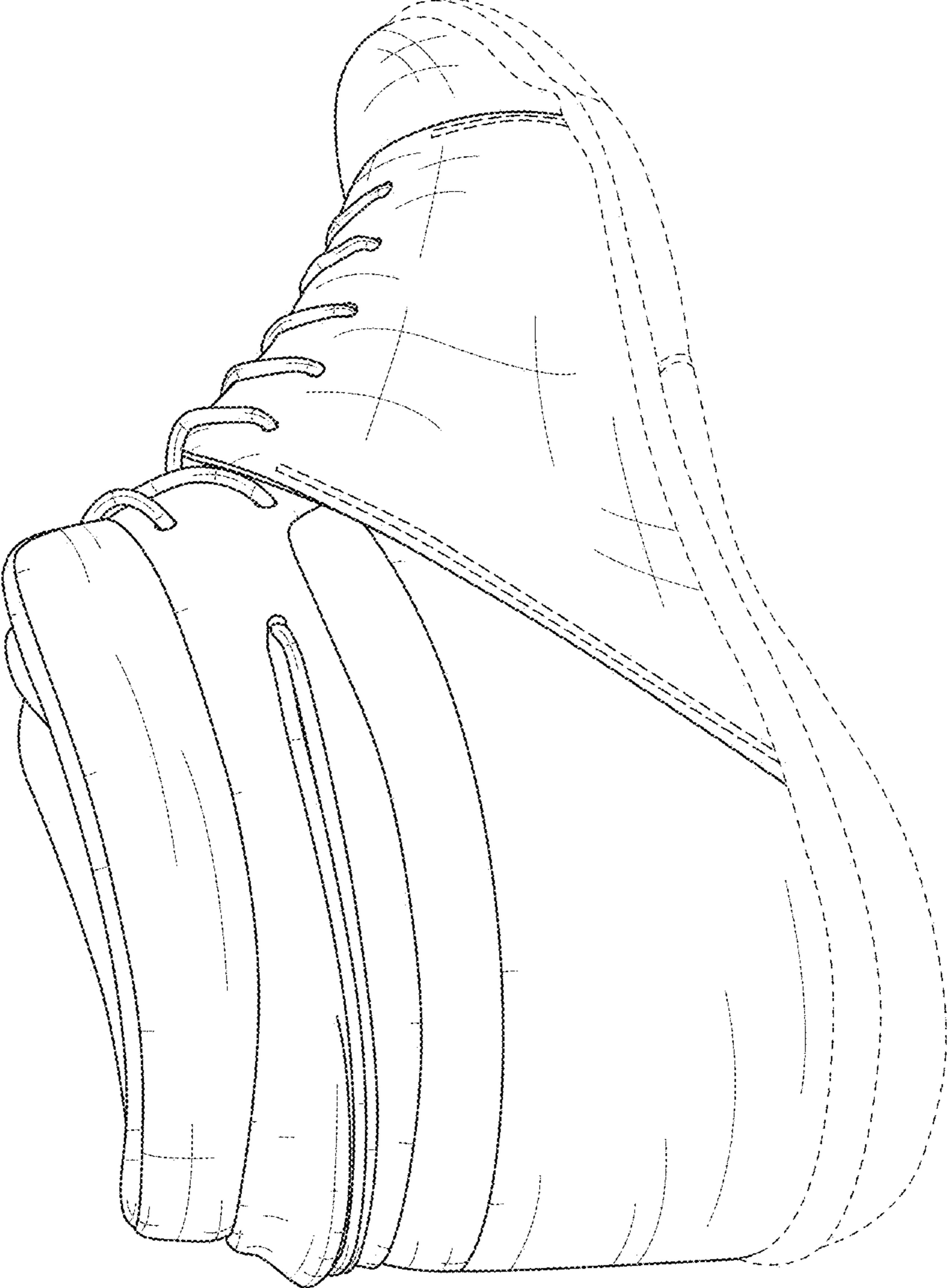


FIG. 3

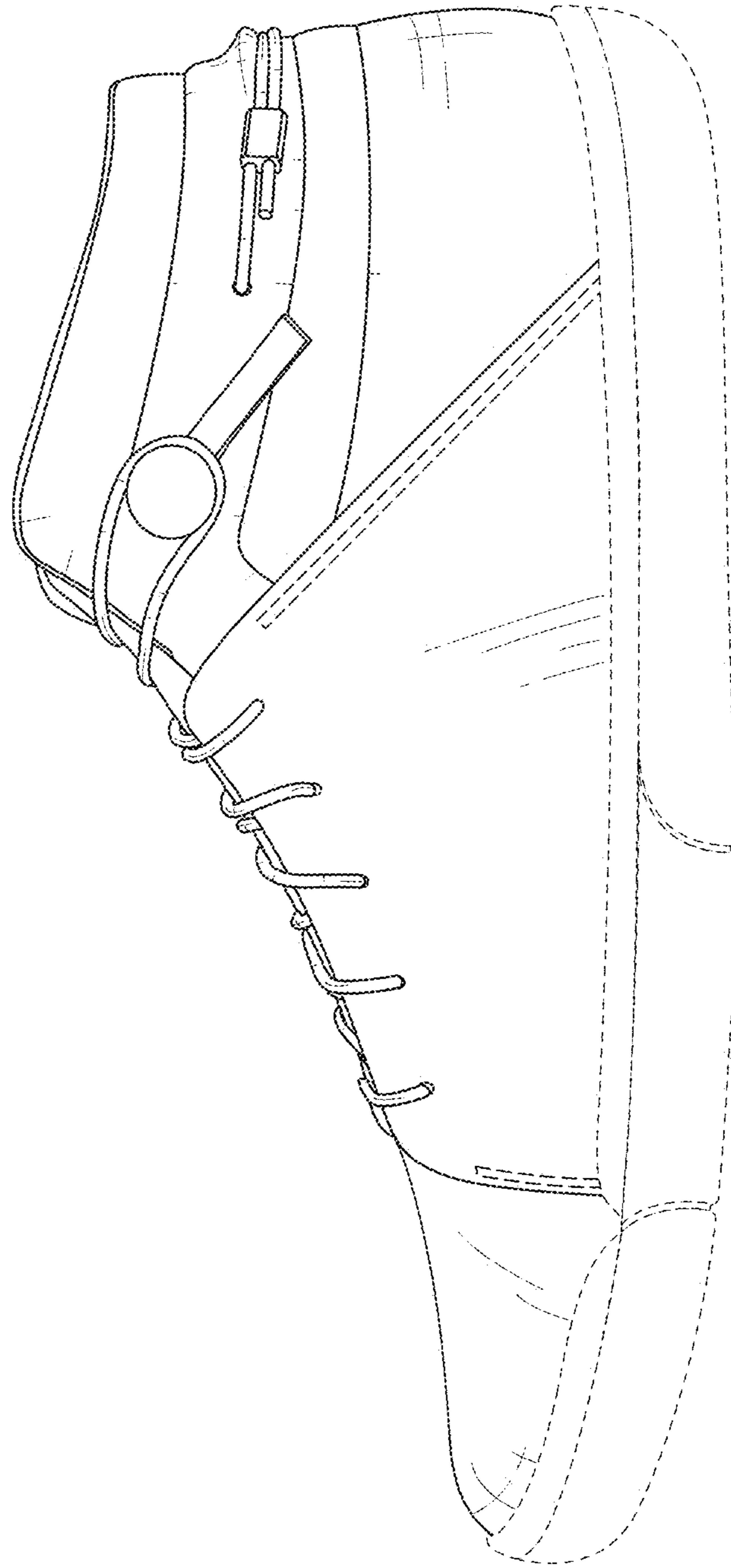


FIG. 4

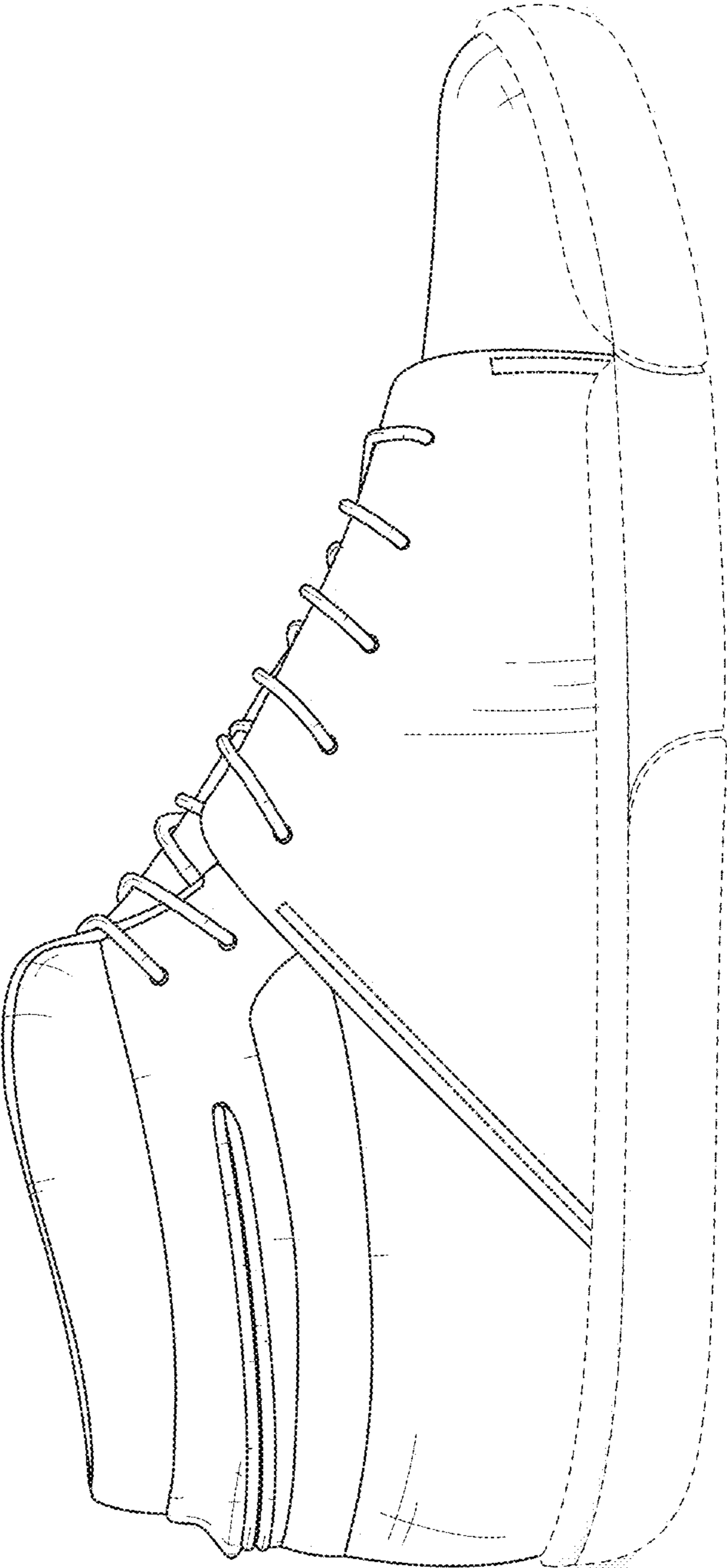


FIG. 5

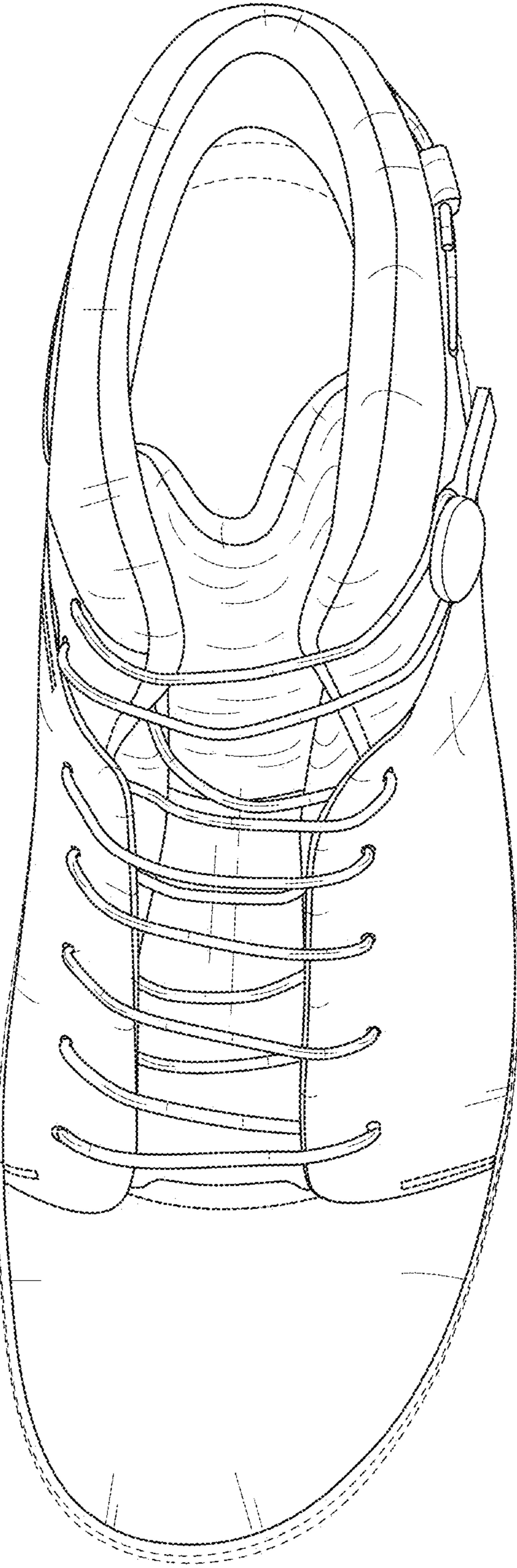


FIG. 7

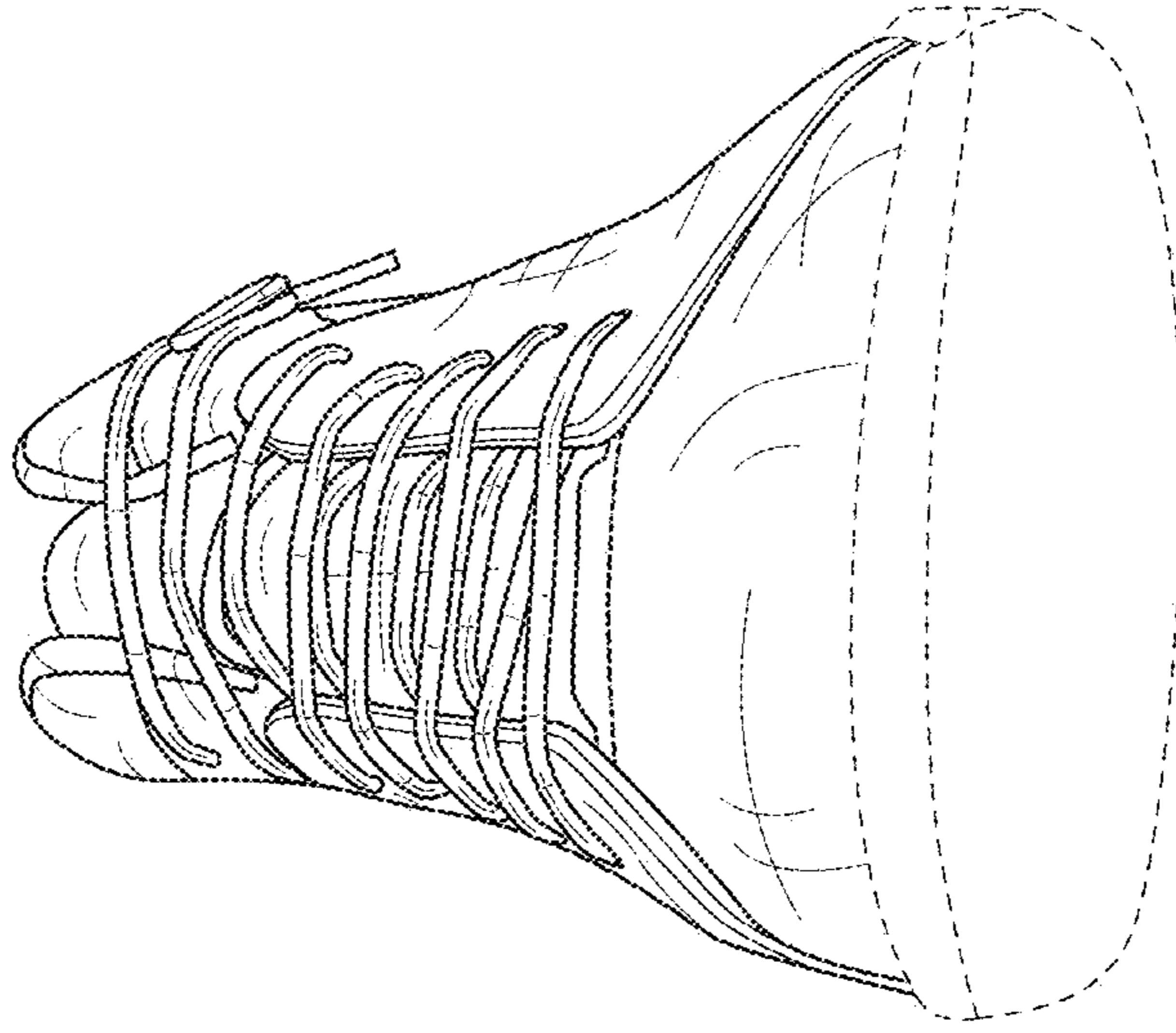


FIG. 6

