



US00D887107S

(12) **United States Design Patent** (10) **Patent No.:** **US D887,107 S**
McDannell (45) **Date of Patent:** **** Jun. 16, 2020**

(54) **BELT**

(71) Applicant: **Randolph S. McDannell**, Ft. Lauderdale, FL (US)

(72) Inventor: **Randolph S. McDannell**, Ft. Lauderdale, FL (US)

(**) Term: **15 Years**

(21) Appl. No.: **29/579,523**

(22) Filed: **Sep. 30, 2016**

(51) **LOC (12) Cl.** **02-07**

(52) **U.S. Cl.**
USPC **D2/627**

(58) **Field of Classification Search**
USPC D2/624-629, 631, 633-640, 706, 728, D2/851, 852, 853, 859, 860, 891; D11/200, 201, 212, 215, 216, 218, 220, D11/222, 231, 234, 78.1; D24/190; D29/101.5, 101.1; D3/226; D30/152; D8/383, 395
CPC A41F 1/008; A41F 11/00; A41F 11/02; A41F 11/06; A41F 11/08; A41F 17/02; A41F 3/02; A41F 5/00; A41F 7/00; A41F 9/00; A41F 9/002; A41F 9/007; A41F 9/02; A41F 9/025; A41F 11/12; A41F 11/14; A41F 11/16; A41F 17/04; A41F 18/00; A41F 19/00; A41F 19/005; A41F 3/00; A62B 35/0006; A63B 29/02; B60R 2022/006; B60R 2022/008; B60R 22/00; A44B 99/00

See application file for complete search history.

(56) **References Cited**

U.S. PATENT DOCUMENTS

D30,922 S * 5/1899 Deitsch D2/634
D30,923 S * 5/1899 Deitsch D2/634
1,445,798 A * 2/1923 Phillips A41F 19/005
24/301
D111,615 S * 10/1938 Richtmyer D2/634

(Continued)

OTHER PUBLICATIONS

Gohl, Cody "R22-Rigging Is Changing the Way We See Belts". The Manual. Sep. 23, 2016 <<https://www.themanager.com/fashion/r22-rigging-is-changing-the-way-we-see-belts/>>. Accessed on Jan. 25, 2018. (Year: 2016).*

(Continued)

Primary Examiner — Kevin K Rudzinski

Assistant Examiner — Clare Ann Gannon

(74) *Attorney, Agent, or Firm* — David C. Purdue

(57) **CLAIM**

The ornamental design for a belt, as shown and described.

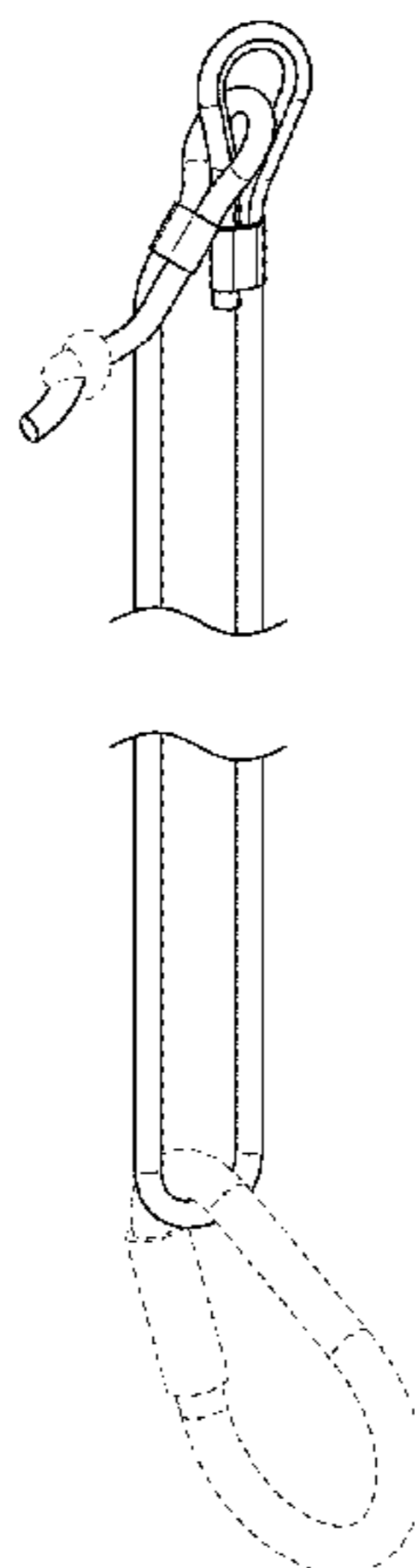
DESCRIPTION

FIG. 1 is a front left perspective view of a belt showing my design;
FIG. 2 is a left side view thereof;
FIG. 3 is a front view thereof;
FIG. 4 is a right side view thereof;
FIG. 5 is a top view thereof;
FIG. 6 is a bottom view thereof;
FIG. 7 is a front left perspective view of a second embodiment of my belt design;
FIG. 8 is a left side view thereof;
FIG. 9 is a front view thereof;
FIG. 10 is a right side view thereof;
FIG. 11 is a top view thereof; and,
FIG. 12 is a bottom view thereof.

The broken lines in FIGS. 1 through 12 depict portions of the article that form no part of the claimed design.

The break lines shown in FIGS. 1-4 and 7-10 symbolize breaks in the length of the article in which the claimed designed is embodied. The appearance of any portion of the article between the break lines forms no part of the claimed design.

1 Claim, 4 Drawing Sheets



(56)

References Cited

U.S. PATENT DOCUMENTS

2,821,168 A * 1/1958 Forbes A01K 27/003
 119/795
 D232,744 S * 9/1974 McGrew D30/153
 D254,637 S * 4/1980 Moore D11/3
 D293,043 S * 12/1987 Zamboni D11/215
 D353,174 S * 12/1994 Peach D2/634
 D358,700 S * 5/1995 Porteous D2/624
 D435,721 S * 1/2001 Lukach D3/207
 6,666,363 B2 * 12/2003 Godshaw A45F 3/14
 190/109
 D659,947 S * 5/2012 Mouquet D2/627
 8,186,022 B2 * 5/2012 Roser H04R 1/1091
 24/11 R
 D664,735 S * 7/2012 Manning D34/27
 D707,918 S * 7/2014 Salcido D2/624
 D724,984 S * 3/2015 Kellough D11/3
 D765,535 S * 9/2016 Nyaggah D11/5
 D767,250 S * 9/2016 Poggi D2/635
 D768,991 S * 10/2016 Hongeva D3/327
 D823,708 S * 7/2018 Tsai D11/2
 2002/0104711 A1 * 8/2002 Nichols A62B 1/16
 182/192
 2007/0137008 A1 * 6/2007 Anstee A63B 29/02
 24/600.7
 2008/0060872 A1 * 3/2008 Wise A62B 35/0075
 182/3
 2018/0001144 A1 * 1/2018 Phillips A63B 29/02
 2019/0192887 A1 * 6/2019 Christianson A62B 35/0006

OTHER PUBLICATIONS

“DIY neon rope belt” My Bloggable Day. Jul. 8, 2012. <<https://mybloggableday.com/2012/07/08/diy-neon-rope-belt/>>. Accessed on Jan. 25, 2018. (Year: 2012).*

* cited by examiner

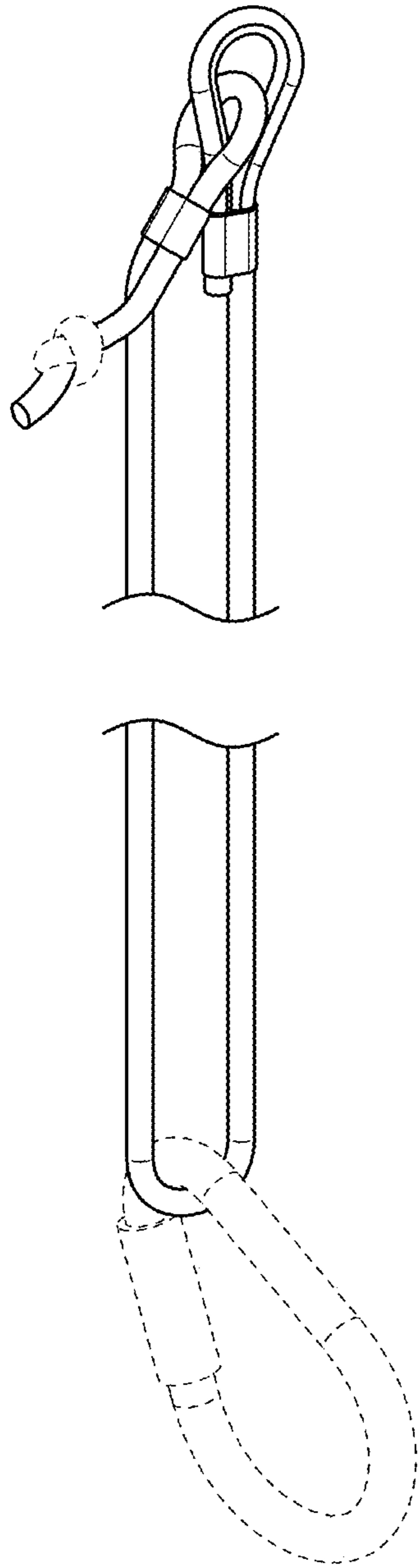


FIG. 1

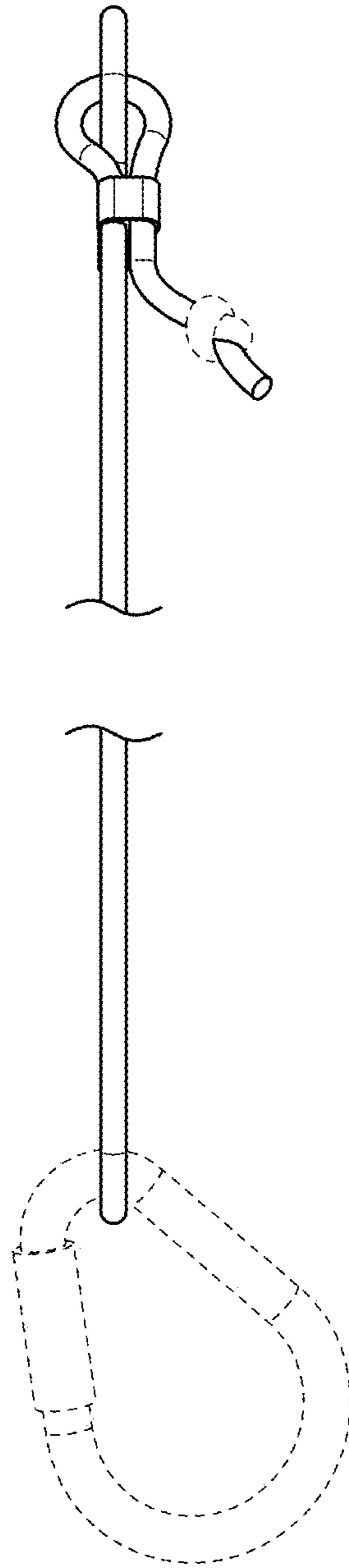


FIG. 2

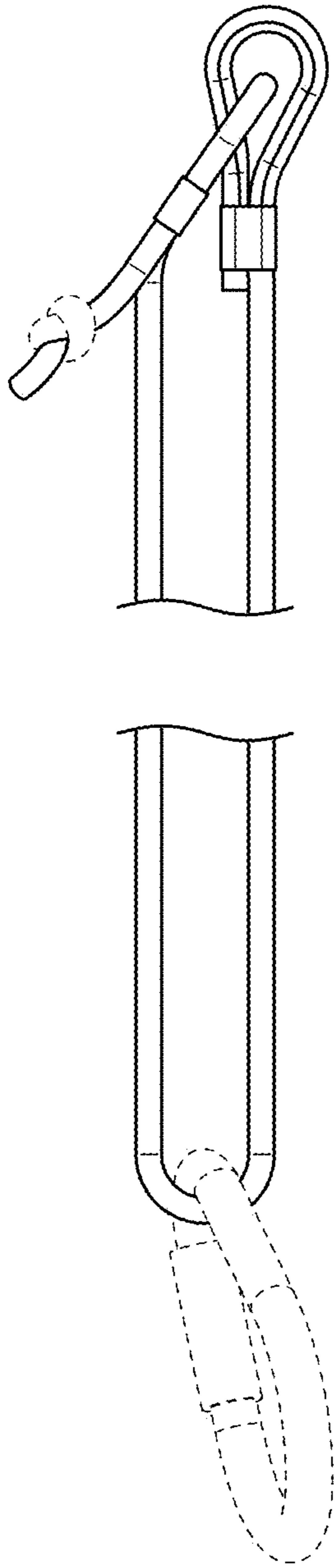


FIG. 3

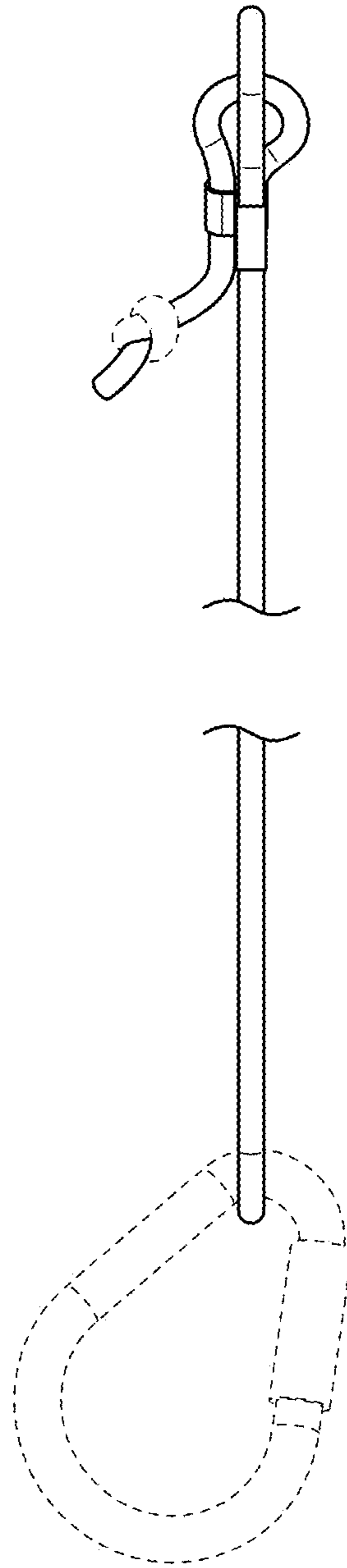


FIG. 4

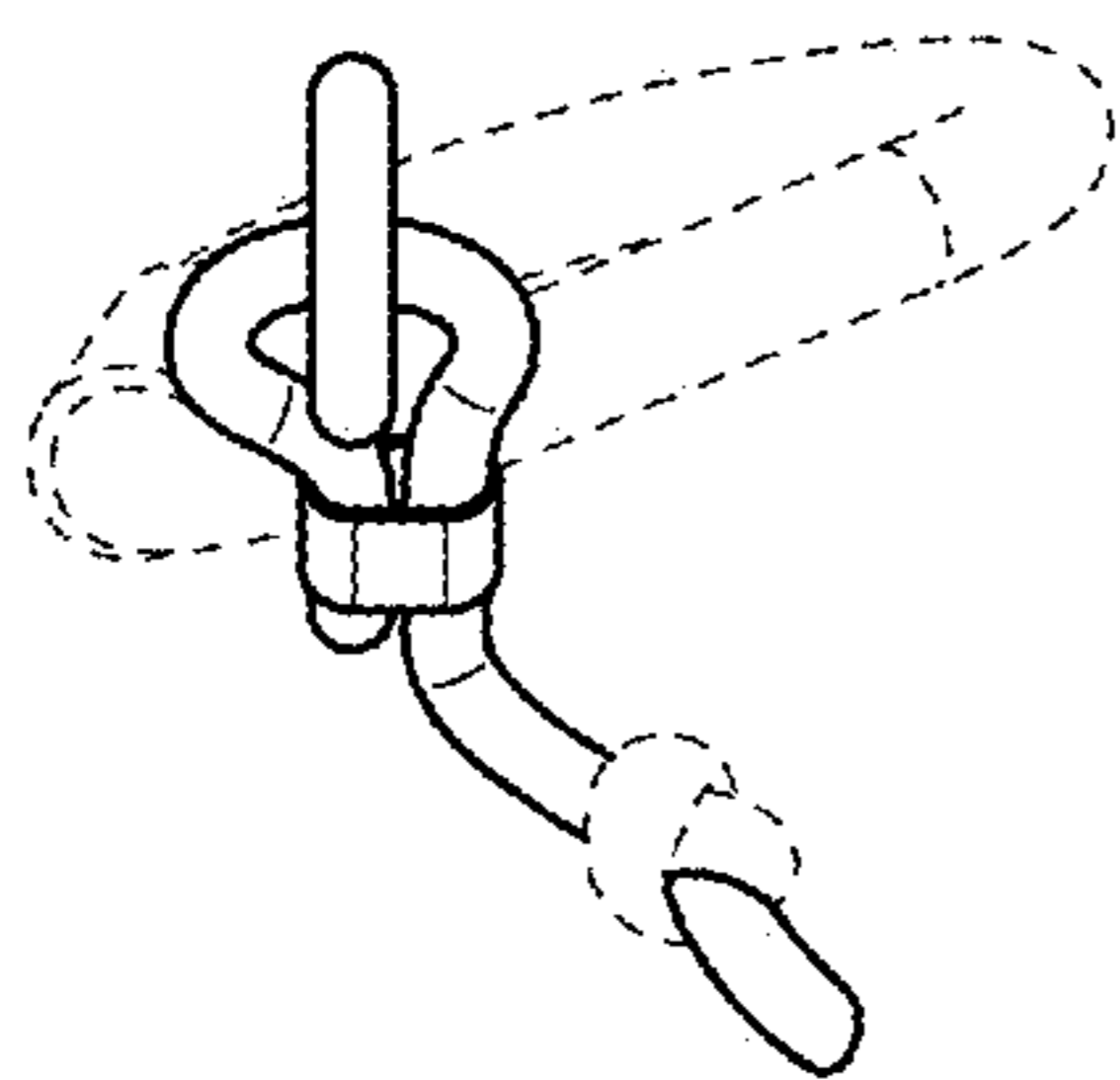


FIG. 5

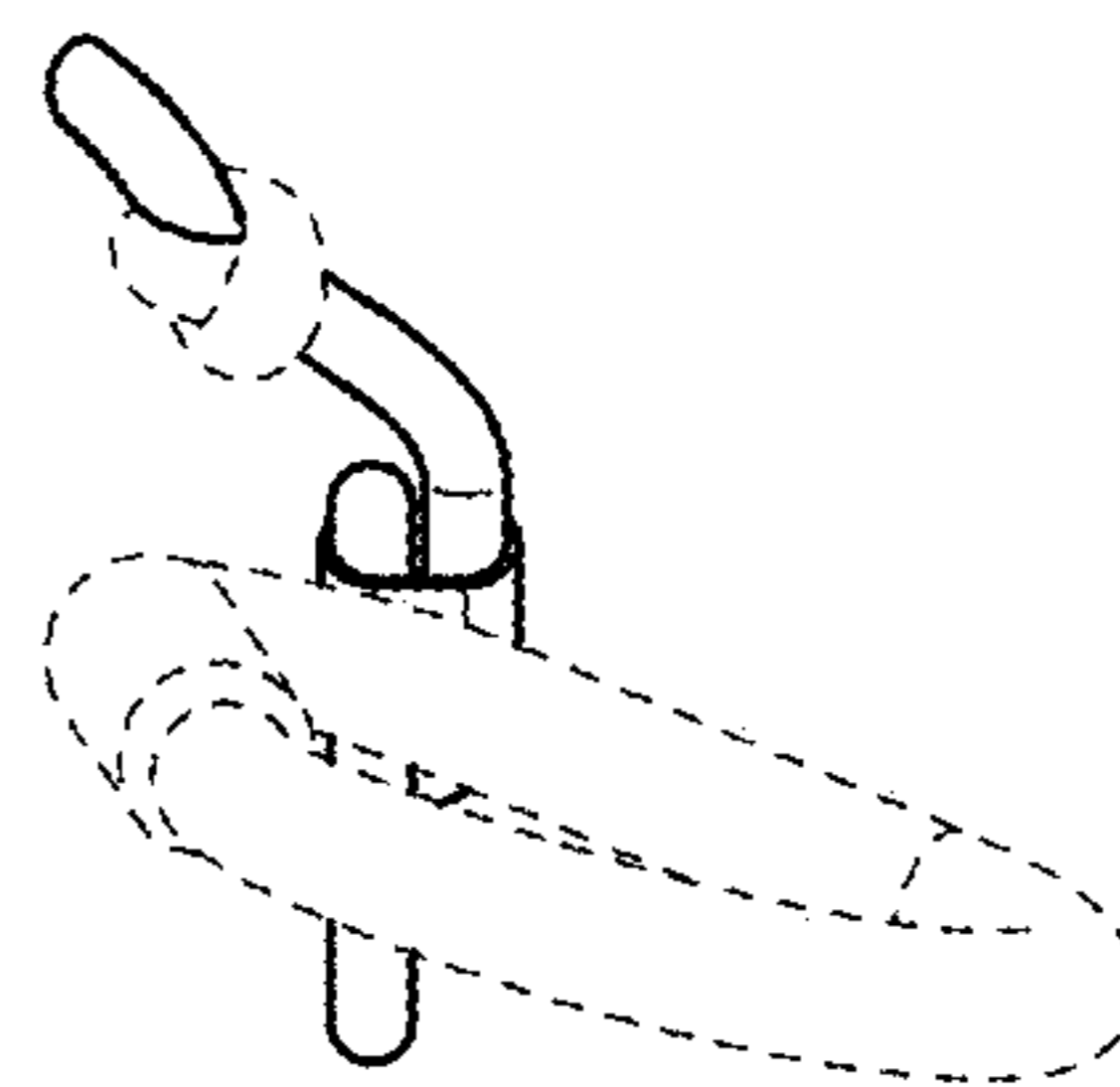


FIG. 6

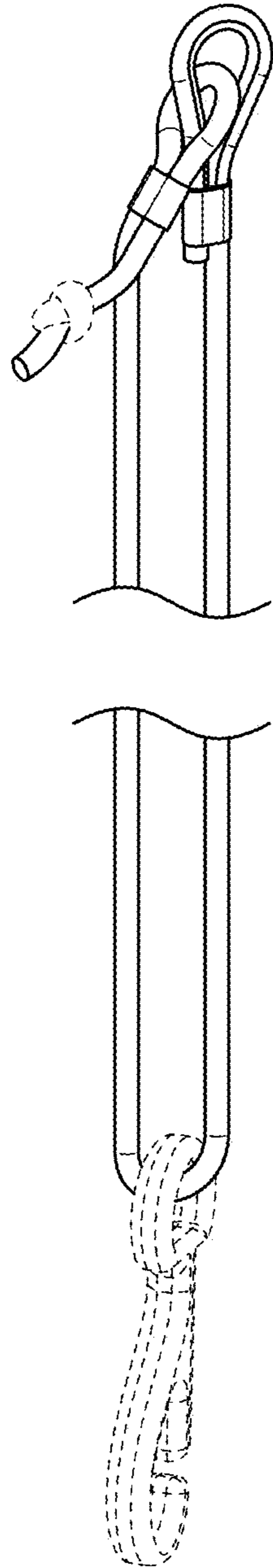


FIG. 7

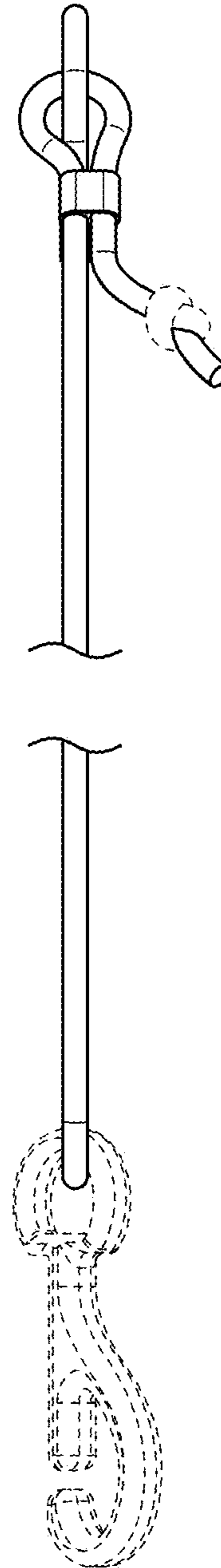


FIG. 8

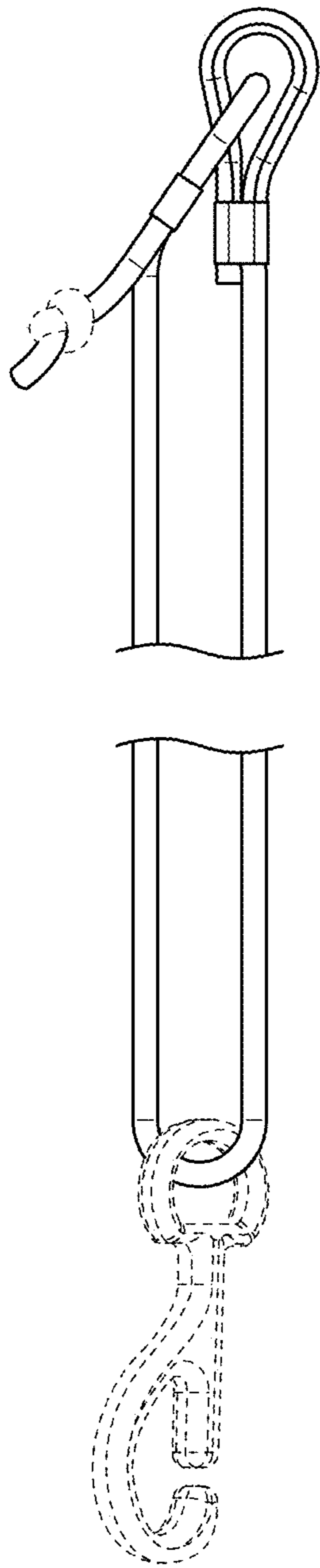


FIG. 9

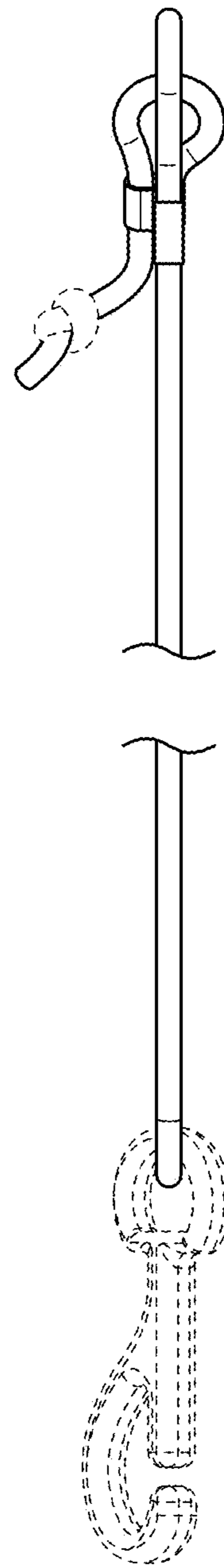


FIG. 10

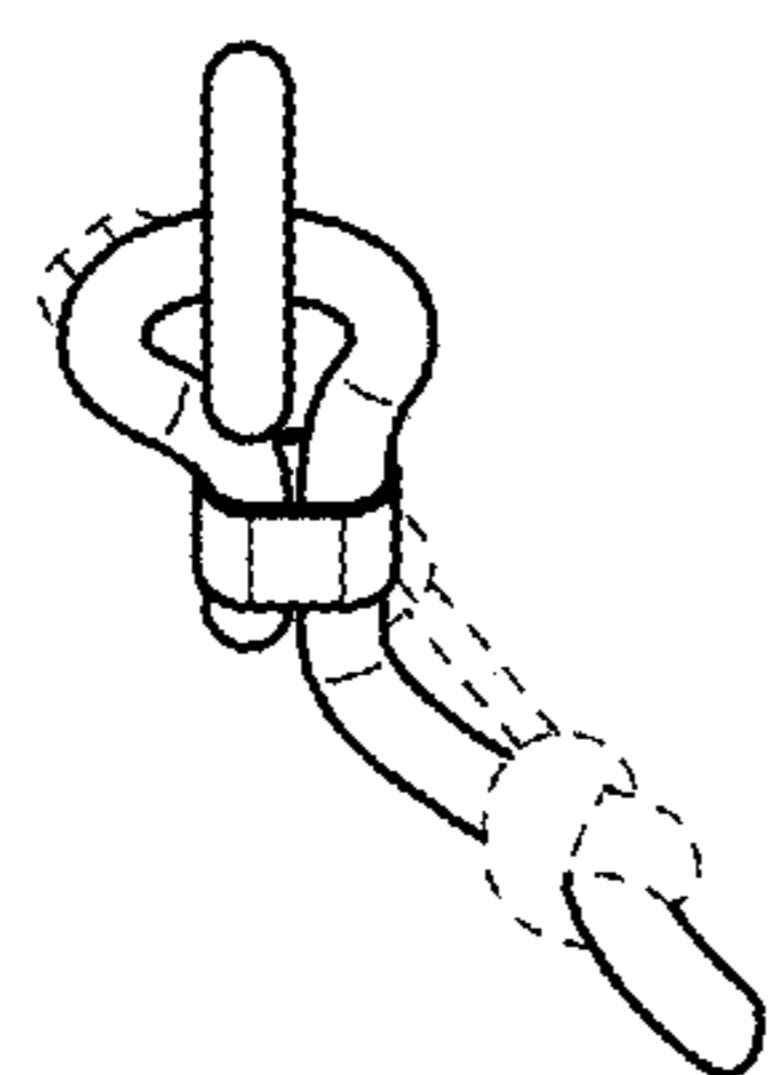


FIG. 11

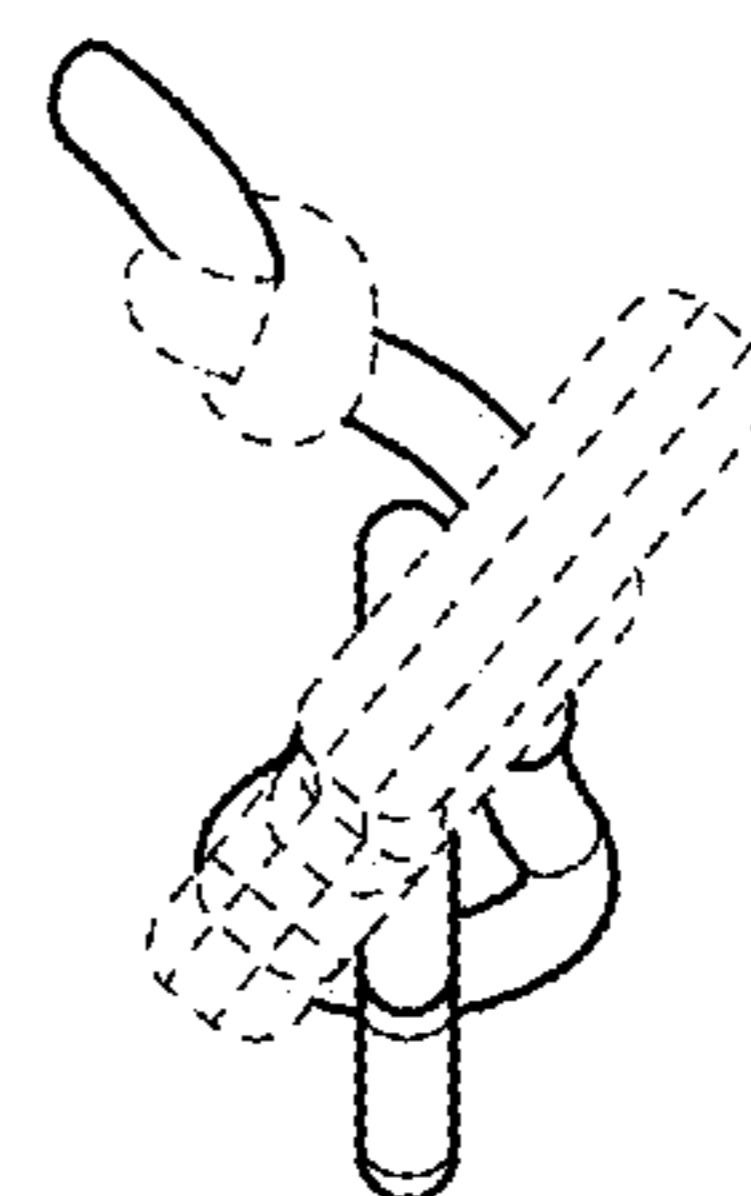


FIG. 12